



US00D821525S

(12) **United States Design Patent**
Green et al.

(10) **Patent No.:** **US D821,525 S**
(45) **Date of Patent:** **** Jun. 26, 2018**

(54) **TUNNEL FOR PLAYSET**
(71) Applicant: **Lifetime Products, Inc.**, Clearfield, UT (US)
(72) Inventors: **Danny Green**, Layton, UT (US);
Robert A. Astle, Kaysville, UT (US)
(73) Assignee: **LIFETIME PRODUCTS, INC.**, Clearfield, UT (US)
(**) Term: **15 Years**
(21) Appl. No.: **29/570,968**
(22) Filed: **Jul. 13, 2016**
(51) **LOC (11) Cl.** **21-03**
(52) **U.S. Cl.**
USPC **D21/814**
(58) **Field of Classification Search**
USPC D21/811, 814, 818-827
CPC A63G 21/00-21/22; A63B 9/00; A63B 2208/12
See application file for complete search history.

D330,579 S * 10/1992 Briggs D21/822
D344,317 S * 2/1994 Petersheim D21/821
D361,116 S * 8/1995 Shaneour D21/821
D372,065 S * 7/1996 Gilles D21/821
5,711,744 A * 1/1998 Strawcutter A63B 9/00
482/35
D393,685 S * 4/1998 Peritz D21/814
D413,370 S * 8/1999 Kirn D21/814
D429,788 S * 8/2000 Sutton D21/818
D438,280 S * 2/2001 Robertson D21/818
6,527,645 B1 * 3/2003 Cline A63B 9/00
472/116
D524,895 S * 7/2006 VanDeusen D21/820
D580,507 S * 11/2008 Huerta D21/818
D743,497 S * 11/2015 Eroglu D21/818
2003/0022761 A1 * 1/2003 Brereton A63B 9/00
482/35

* cited by examiner

Primary Examiner — Mitchell I. Siegel
(74) *Attorney, Agent, or Firm* — Workman Nydegger

(57) **CLAIM**

The ornamental design for a tunnel for a playset, as shown and described.

DESCRIPTION

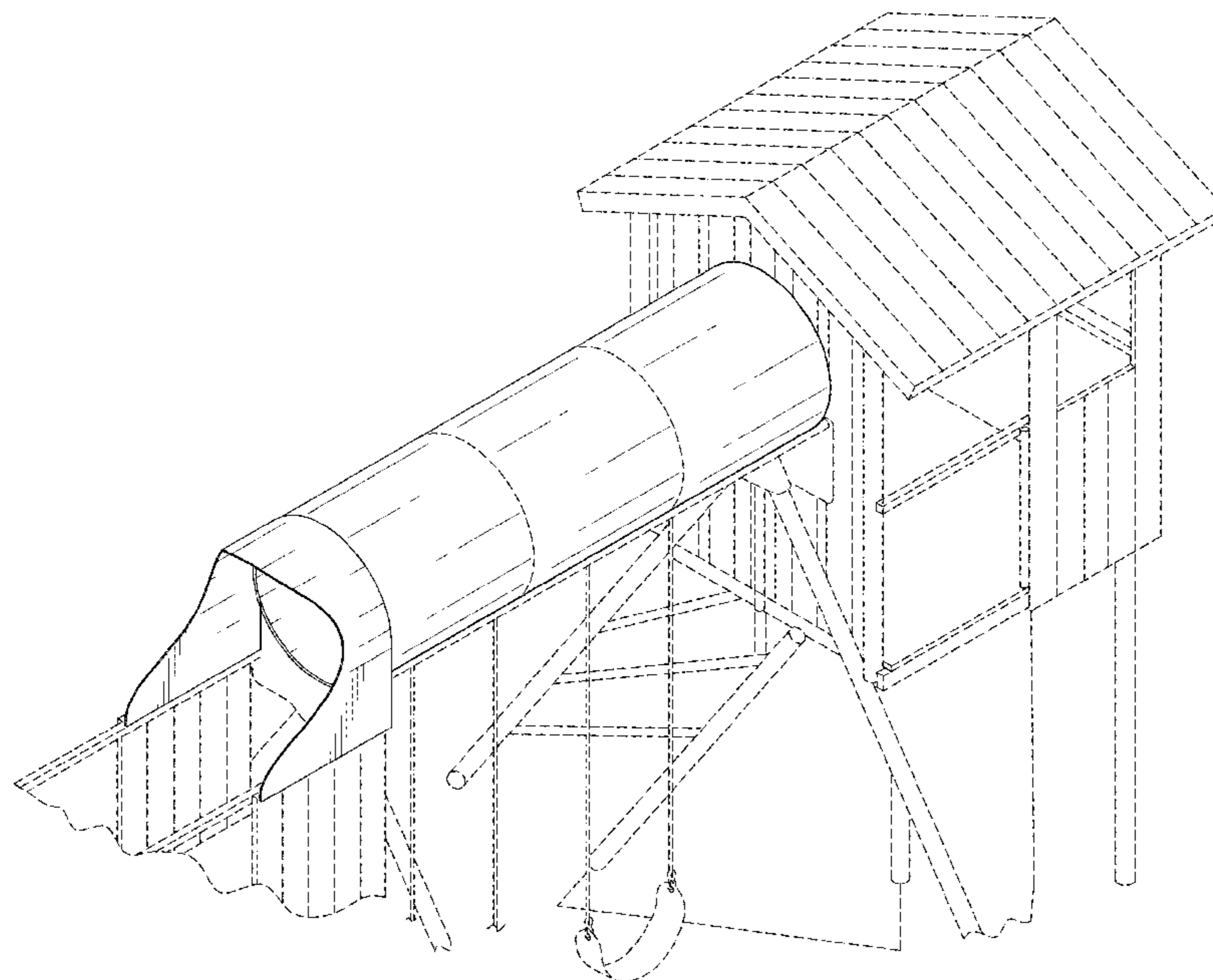
FIG. 1 is a front perspective view of a tunnel for a playset; FIG. 2 is a front view of FIG. 1; FIG. 3 is a back view of FIG. 1; FIG. 4 is a right side view of FIG. 1; FIG. 5 is a left side view of FIG. 1; FIG. 6 is a top view of FIG. 1; and, FIG. 7 is a bottom view of FIG. 1. The broken lines in the Figures illustrate portions of a playset that form no part of the claimed design.

1 Claim, 4 Drawing Sheets

(56) **References Cited**

U.S. PATENT DOCUMENTS

2,465,187 A * 3/1949 Barrabee A63G 21/02
104/69
D190,125 S * 4/1961 Aherns D21/818
D212,018 S * 8/1968 Jamison et al. D21/820
D224,247 S * 7/1972 Jamison D21/818
D238,889 S * 2/1976 Holmquist D21/818
D250,784 S * 1/1979 Dieter 472/116
4,487,411 A * 12/1984 Ahrens A63G 21/00
472/116
D328,119 S * 7/1992 Matsch D21/821



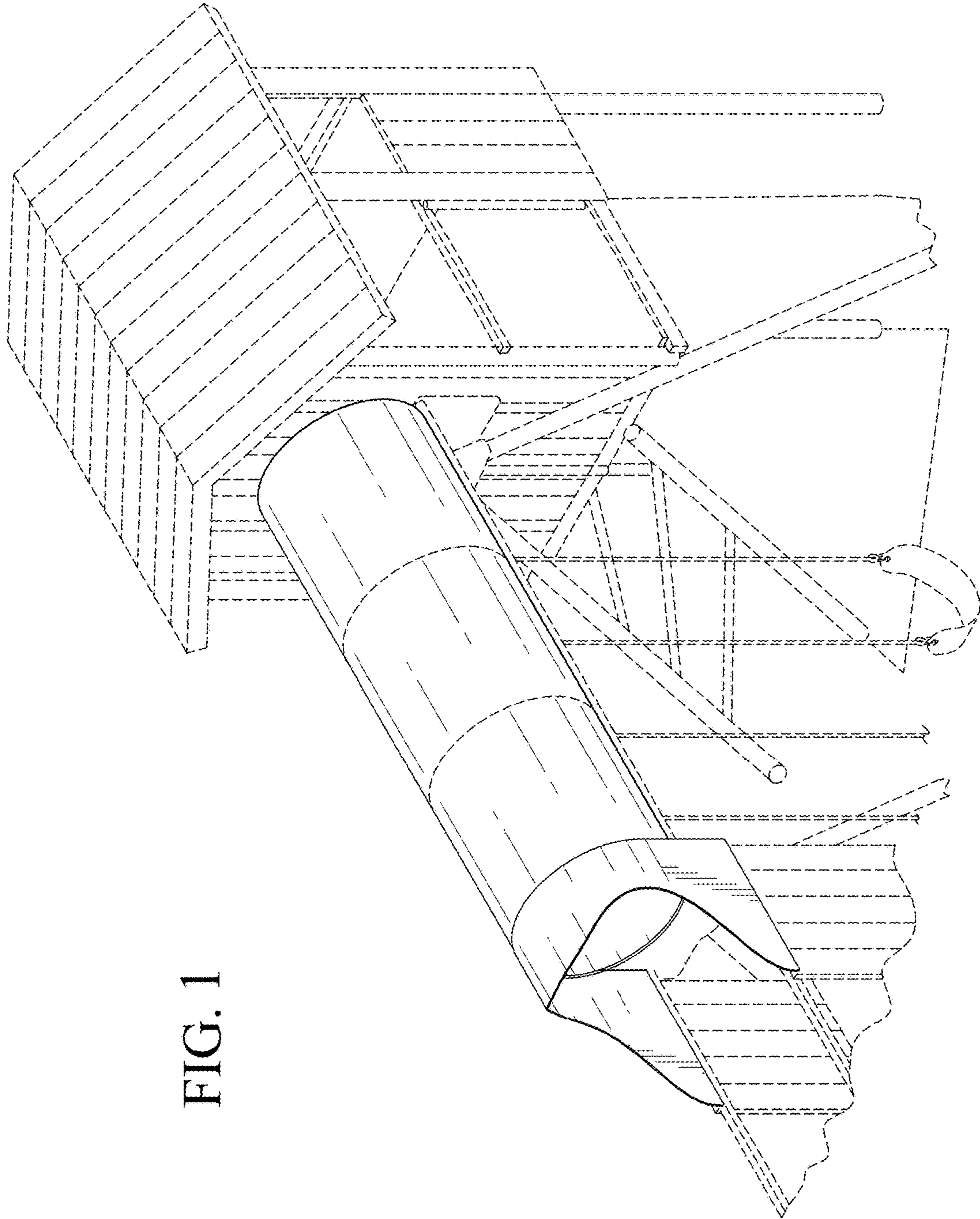


FIG. 1

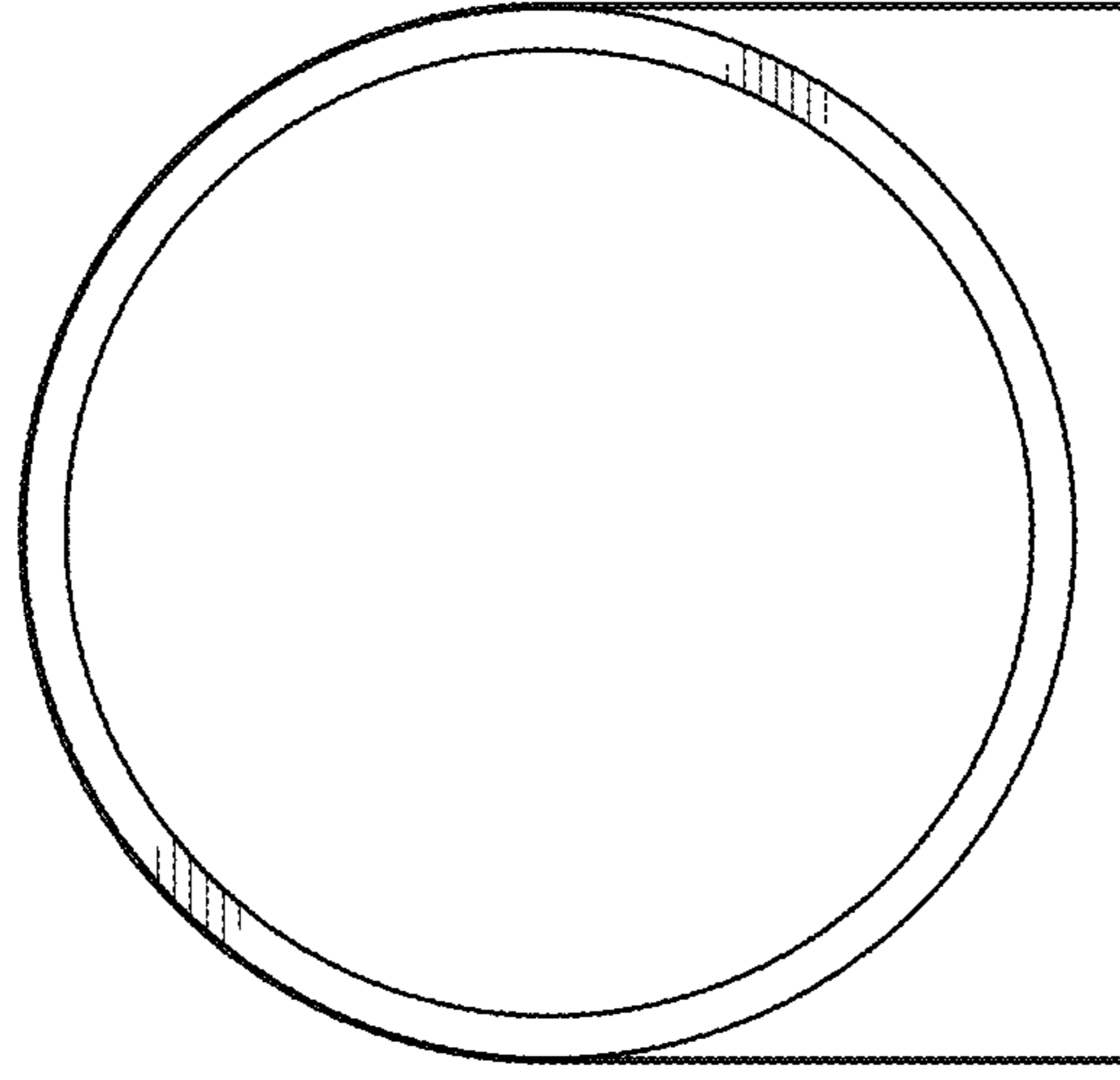


FIG. 2

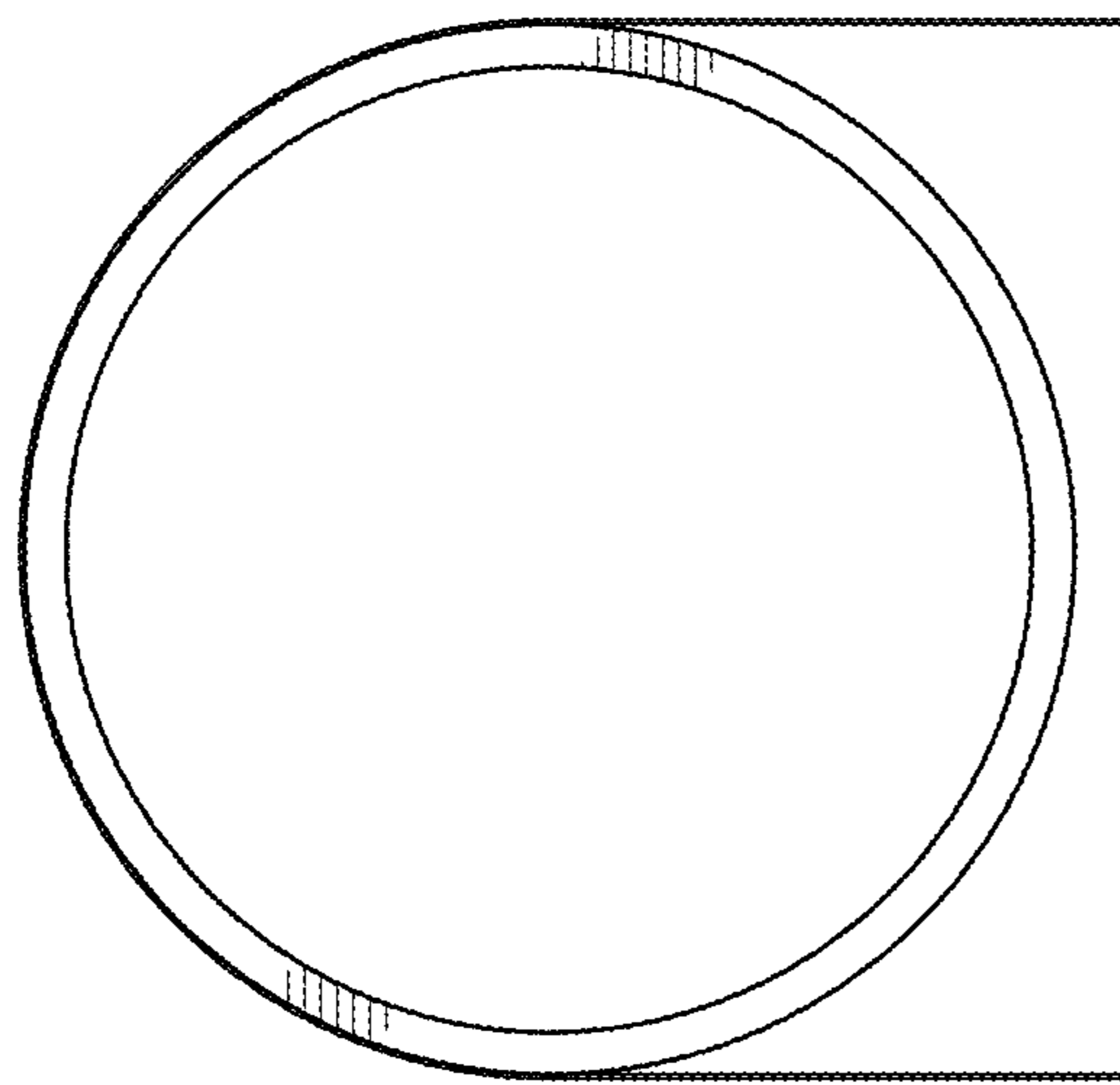


FIG. 3

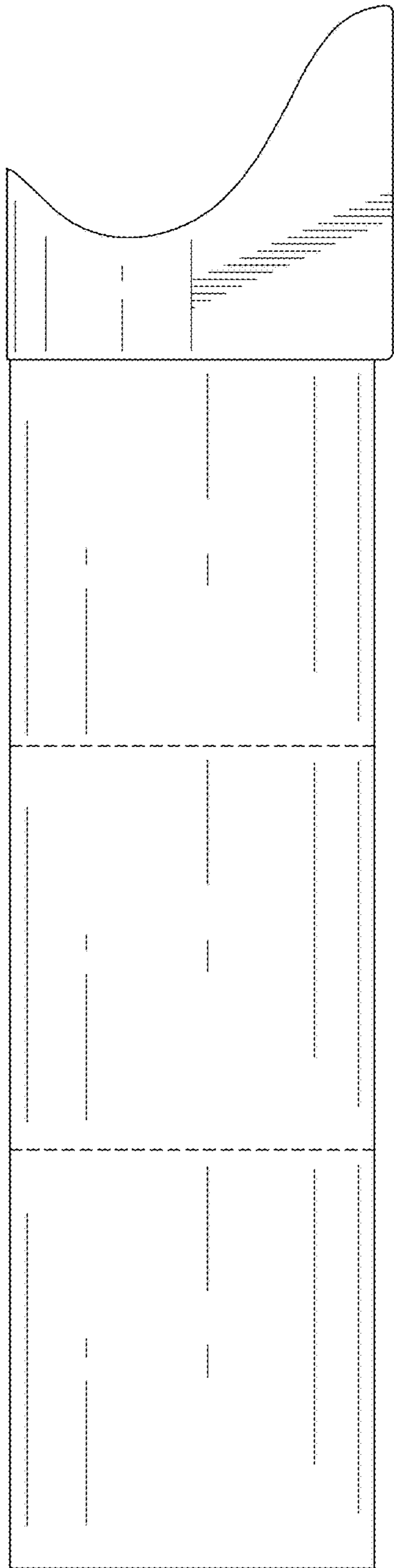


FIG. 4

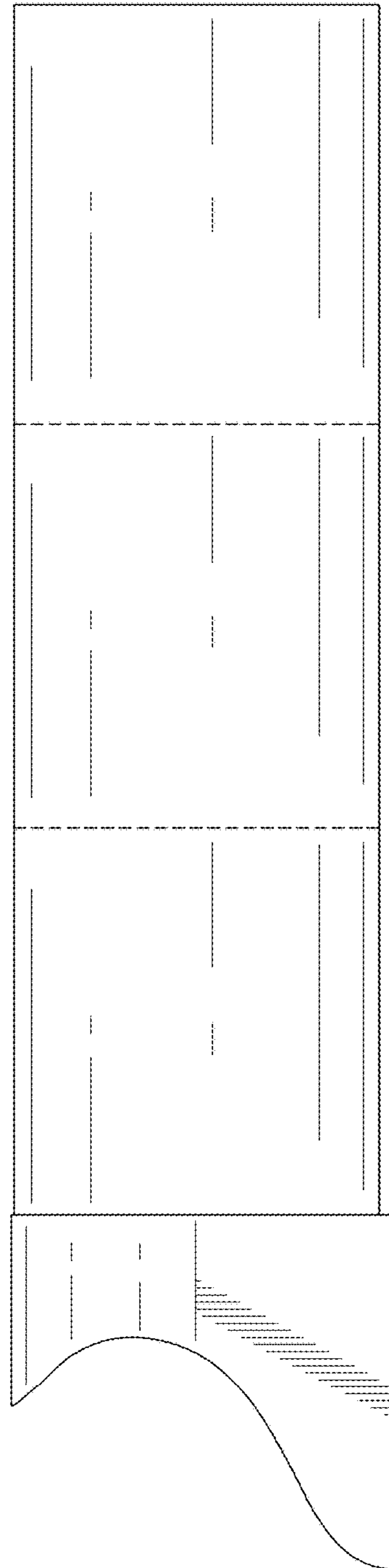


FIG. 5

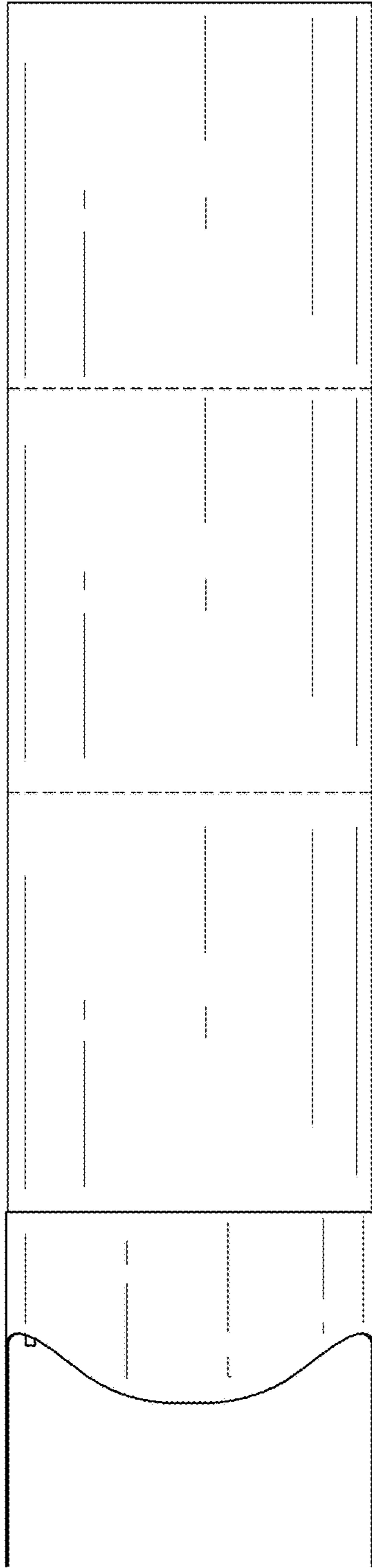


FIG. 6

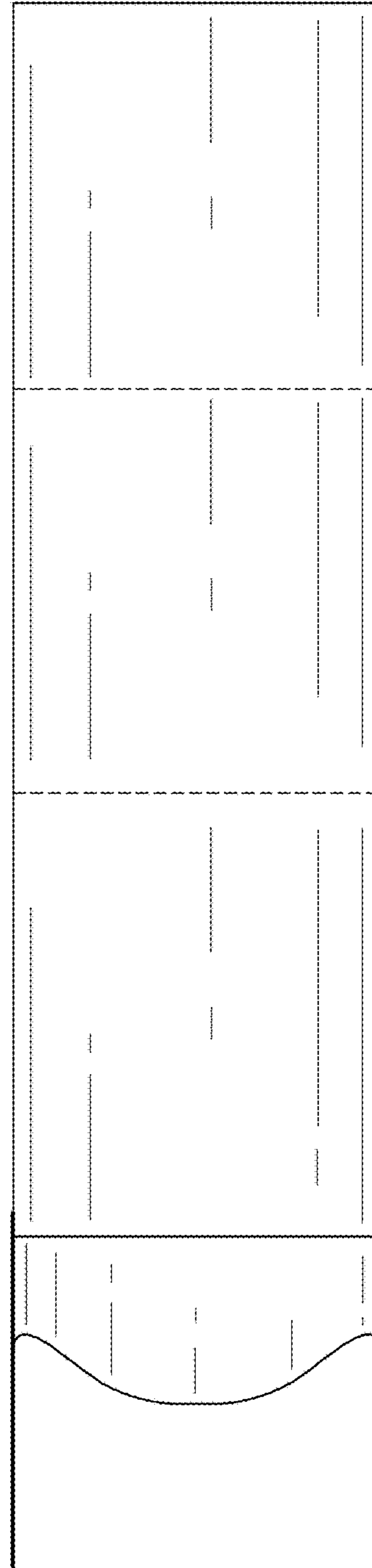


FIG. 7