



US00D821523S

(12) **United States Design Patent**  
**Kasper et al.**

(10) **Patent No.:** **US D821,523 S**  
(45) **Date of Patent:** **\*\* Jun. 26, 2018**

(54) **INFLATABLE RAFT WITH UNDERWATER VIEWING WINDOW**

4,145,783 A 3/1979 Rhodes  
D264,370 S \* 5/1982 McCarthy ..... D21/803  
4,691,658 A 9/1987 New et al.

(Continued)

(71) Applicant: **David Lee Kasper and Rachael Batcheler Kasper**, Dexter, MI (US)

**FOREIGN PATENT DOCUMENTS**

(72) Inventors: **David Lee Kasper**, Dexter, MI (US);  
**Rachael Batcheler Kasper**, Dexter, MI (US)

EP 1896320 B1 12/2008  
EP 2465767 A2 6/2012

(Continued)

(73) Assignees: **David Lee Kasper**, Dexter, MI (US);  
**Rachael Batcheler Kasper**, Dexter, MI (US)

**OTHER PUBLICATIONS**

<https://www.amazon.com/AQUAVUE-Voyager-Clear-Bottom-Inflatable/dp/B00TGTOAC>—Retrieved on Nov. 30, 2017.\*

(Continued)

(\*\*) Term: **15 Years**

(21) Appl. No.: **29/588,924**

*Primary Examiner* — Manpreet S Matharu

(22) Filed: **Dec. 23, 2016**

*Assistant Examiner* — Mojtaba Tehrani

(51) **LOC (11) Cl.** ..... **21-02**

(74) *Attorney, Agent, or Firm* — Endurance Law Group

(52) **U.S. Cl.**

PLC

USPC ..... **D21/803**

(58) **Field of Classification Search**

(57) **CLAIM**

USPC ..... D21/769, 770, 801, 803, 804, 805, 806,  
D21/807, 808, 809; D12/5, 6, 316;  
D6/392, 395, 596, 601, 604, 605  
CPC ..... B63B 35/79; B63B 35/73; B63B 1/00;  
B63B 35/76

We claim the ornamental design for an inflatable raft with underwater viewing window, as shown and described.

See application file for complete search history.

**DESCRIPTION**

(56) **References Cited**

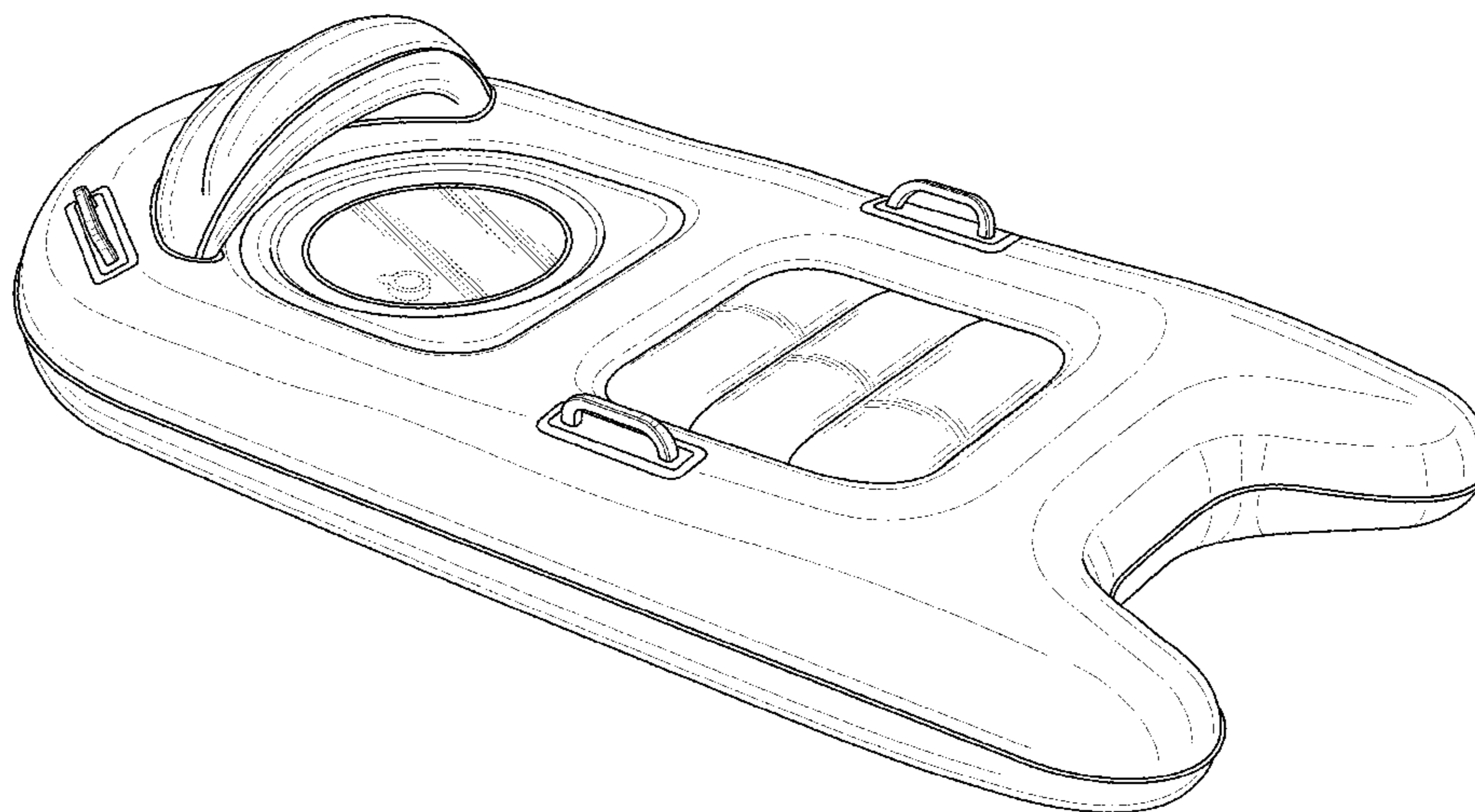
FIG. 1 is perspective view of an inflatable raft with underwater viewing window according to the present invention; FIG. 2 is a left-side view thereof; FIG. 3 is a right-side view thereof; FIG. 4 is a top view thereof; FIG. 5 is a bottom thereof; FIG. 6 is a front view thereof; and, FIG. 7 is a rear view thereof.

**U.S. PATENT DOCUMENTS**

2,075,649 A 3/1937 Knight  
D157,564 S \* 3/1950 Byerly ..... 114/290  
2,712,139 A 7/1955 Kelly  
2,717,399 A 9/1955 Townsend  
3,042,945 A 7/1962 Saeman  
3,081,726 A 3/1963 Betts et al.  
D221,697 S \* 8/1971 Nicholson ..... D12/11  
3,619,042 A 11/1971 Lazar  
D233,904 S \* 12/1974 Dage ..... D21/770

Filling valves are shown in broken lines throughout the figures, and form no part of the patented design. Bottom surface features are shown in broken lines in FIG. 5, and form no part of the patented design.

**1 Claim, 5 Drawing Sheets**



(56)

References Cited

U.S. PATENT DOCUMENTS

D300,840 S \* 4/1989 Minurri ..... D12/11  
 D301,322 S \* 5/1989 Lee ..... D12/11  
 4,844,595 A 7/1989 Nealy  
 4,895,539 A 1/1990 Bender  
 4,925,417 A 5/1990 Warren  
 D315,387 S 3/1991 Warren  
 D343,220 S 1/1994 Fireman  
 D349,744 S \* 8/1994 Wolfe ..... D12/316  
 D351,009 S \* 9/1994 Wolfe ..... D12/316  
 5,399,111 A 3/1995 Kobayashi et al.  
 5,476,055 A 12/1995 Hackett et al.  
 D377,072 S \* 12/1996 Ilejay ..... D21/769  
 5,672,082 A 9/1997 Binder  
 D384,721 S \* 10/1997 Peterson ..... D21/809  
 D390,618 S \* 2/1998 Wilson ..... D21/803  
 D393,683 S \* 4/1998 Song ..... D12/316  
 D426,097 S 6/2000 Bortolotto et al.  
 6,241,569 B1 6/2001 Harkrider  
 6,293,841 B1 9/2001 Safilian  
 D461,516 S 8/2002 Chen  
 D466,175 S 11/2002 Katz et al.  
 D468,175 S 1/2003 Morgan  
 6,572,424 B2 6/2003 Harkrider  
 D483,088 S \* 12/2003 Zheng ..... D21/803  
 D509,470 S \* 9/2005 Weir ..... D12/316  
 D544,061 S \* 6/2007 Kuchler ..... D21/803  
 D582,499 S \* 12/2008 Hoffman ..... D21/803  
 D582,500 S \* 12/2008 Hoffman ..... D21/803  
 7,547,238 B1 6/2009 Melancon  
 D600,768 S \* 9/2009 Foti ..... D21/803  
 7,678,271 B2 3/2010 Curtin  
 D613,359 S \* 4/2010 Ross ..... D21/769  
 D615,825 S 5/2010 Curtin  
 D627,026 S \* 11/2010 Durocher ..... D21/769

D628,667 S \* 12/2010 McCarthy ..... D21/769  
 7,927,164 B2 4/2011 Kuchler  
 D649,615 S 11/2011 Scott et al.  
 D665,866 S \* 8/2012 Scott ..... D21/803  
 D706,205 S \* 6/2014 Bradley ..... D12/316  
 D765,200 S \* 8/2016 Gershon ..... D21/803  
 D775,294 S 12/2016 Robinson  
 D779,609 S \* 2/2017 Osimo ..... D21/803  
 D785,738 S 5/2017 McKellar et al.  
 D802,074 S 11/2017 Osimo  
 2005/0247248 A1 11/2005 Caplan et al.  
 2006/0252318 A1 11/2006 Krantz  
 2012/0156951 A1 6/2012 Segev  
 2013/0065465 A1 3/2013 Montana  
 2013/0280974 A1 10/2013 Mulvihill  
 2015/0024645 A1 1/2015 Neal  
 2016/0096598 A1 4/2016 Harkrider

FOREIGN PATENT DOCUMENTS

FR 2797775 A 3/2001  
 GB 2336132 A 10/1999  
 GB 2391956 A 2/2004  
 WO 1994018067 A1 8/1994  
 WO 1998017527 A1 4/1998  
 WO 2013163327 A1 10/2013

OTHER PUBLICATIONS

<https://www.amazon.com/Window-Explorer-Kids-Snorkeling-Raft/dp/B01N38H8696>—product reviews as early as May 2, 2017.\*  
<https://www.amazon.com/Window-Tortuga-Deluxe-Snorkeling-Camera/dp/B01N6399TL>—Product review date as early as Jun. 26, 2009.

\* cited by examiner

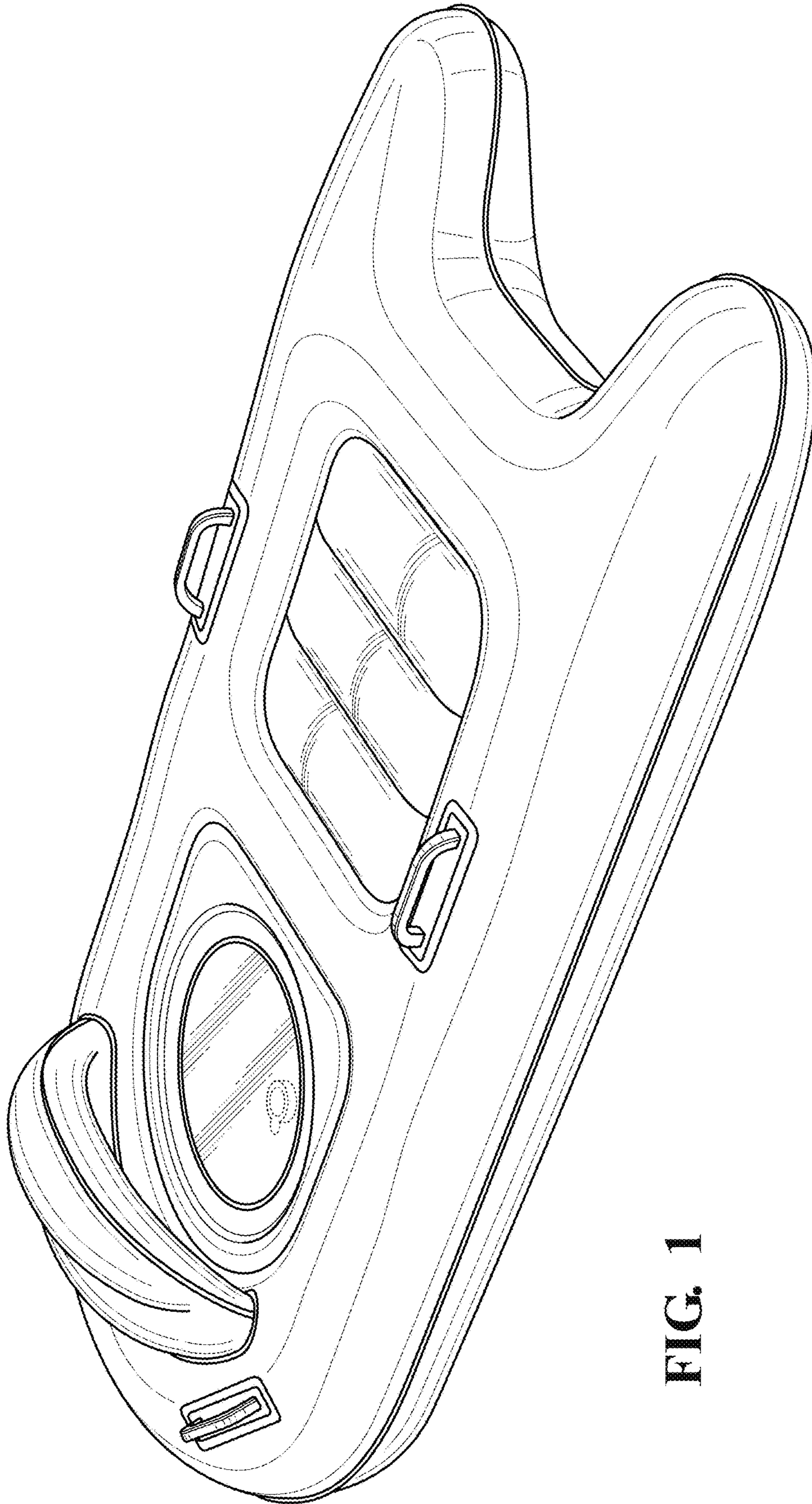


FIG. 1

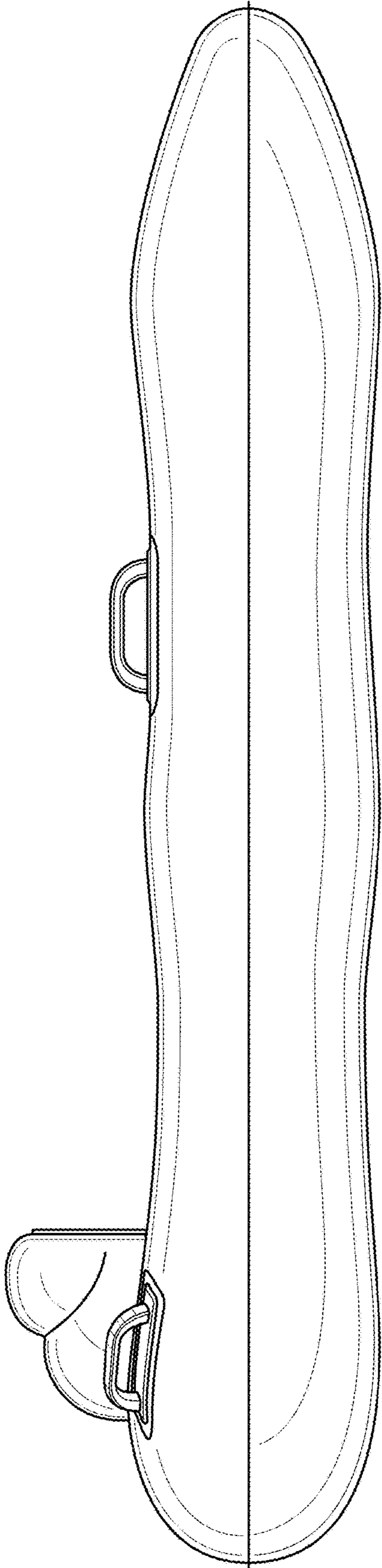


FIG. 2

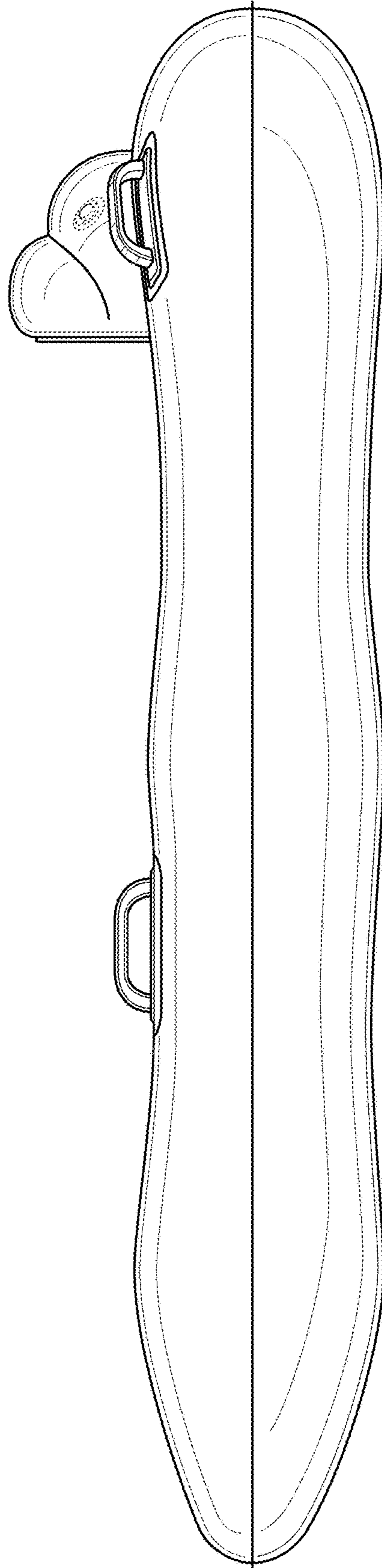


FIG. 3

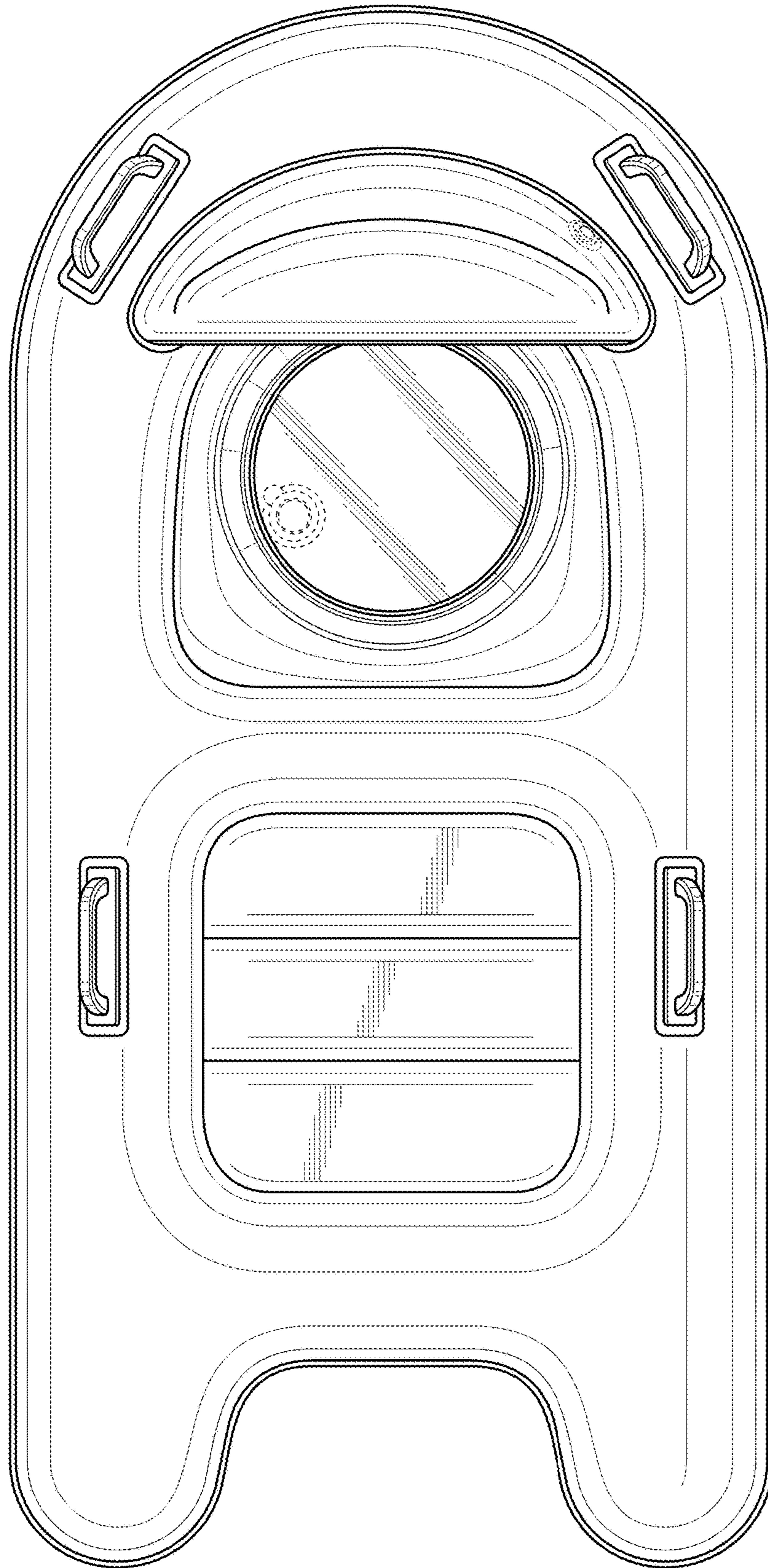


FIG. 4

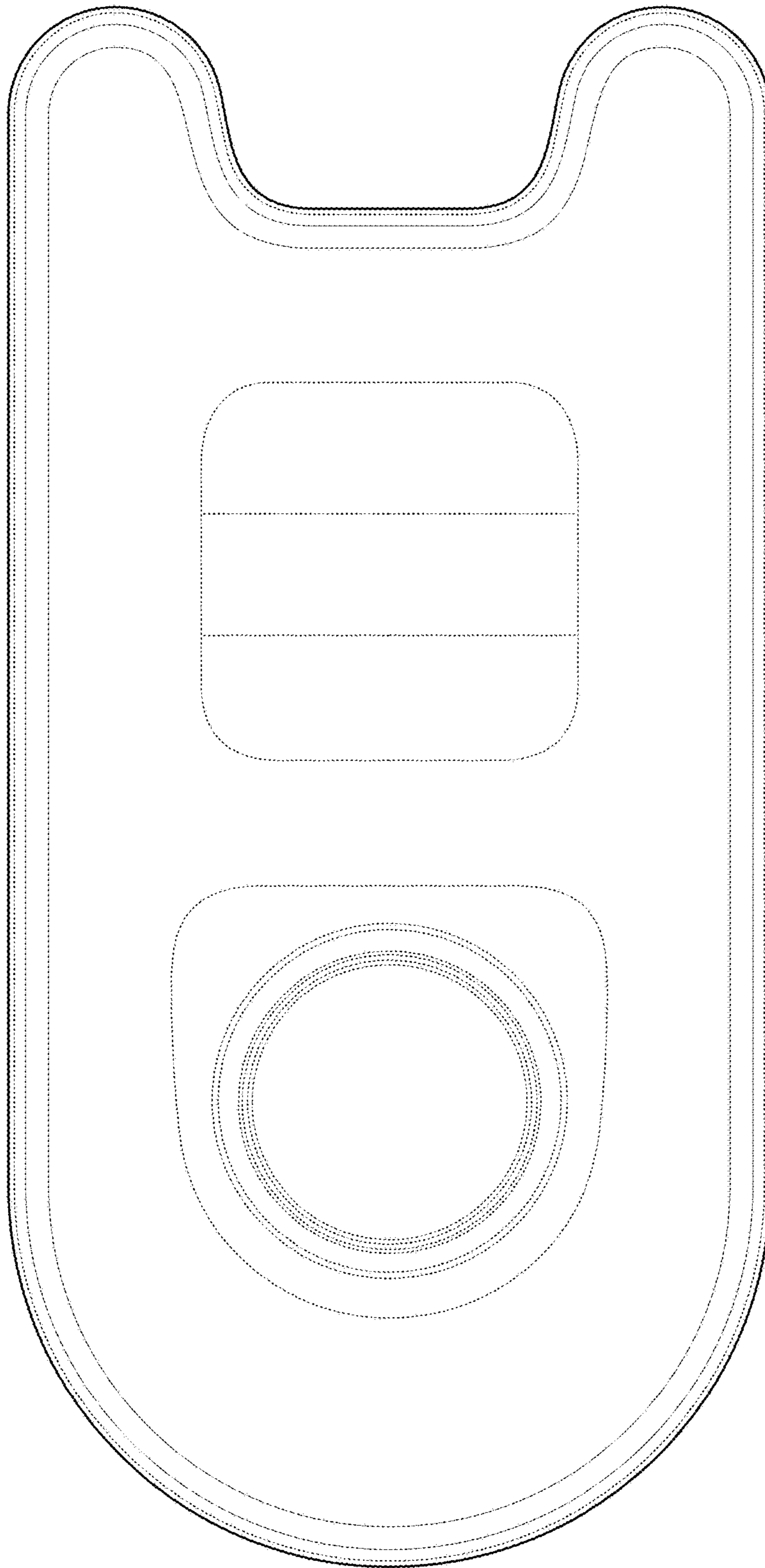


FIG. 5

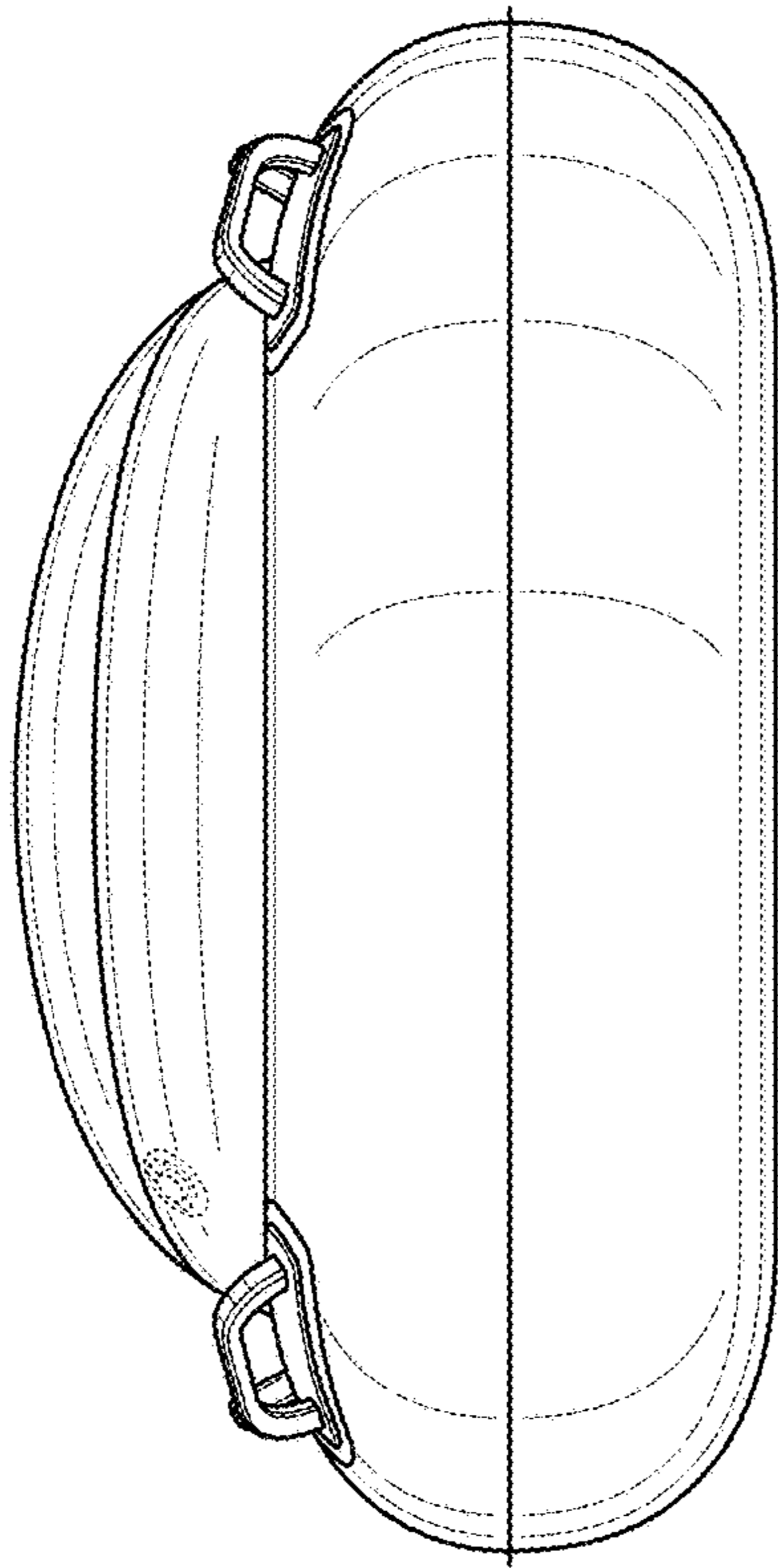


FIG. 6

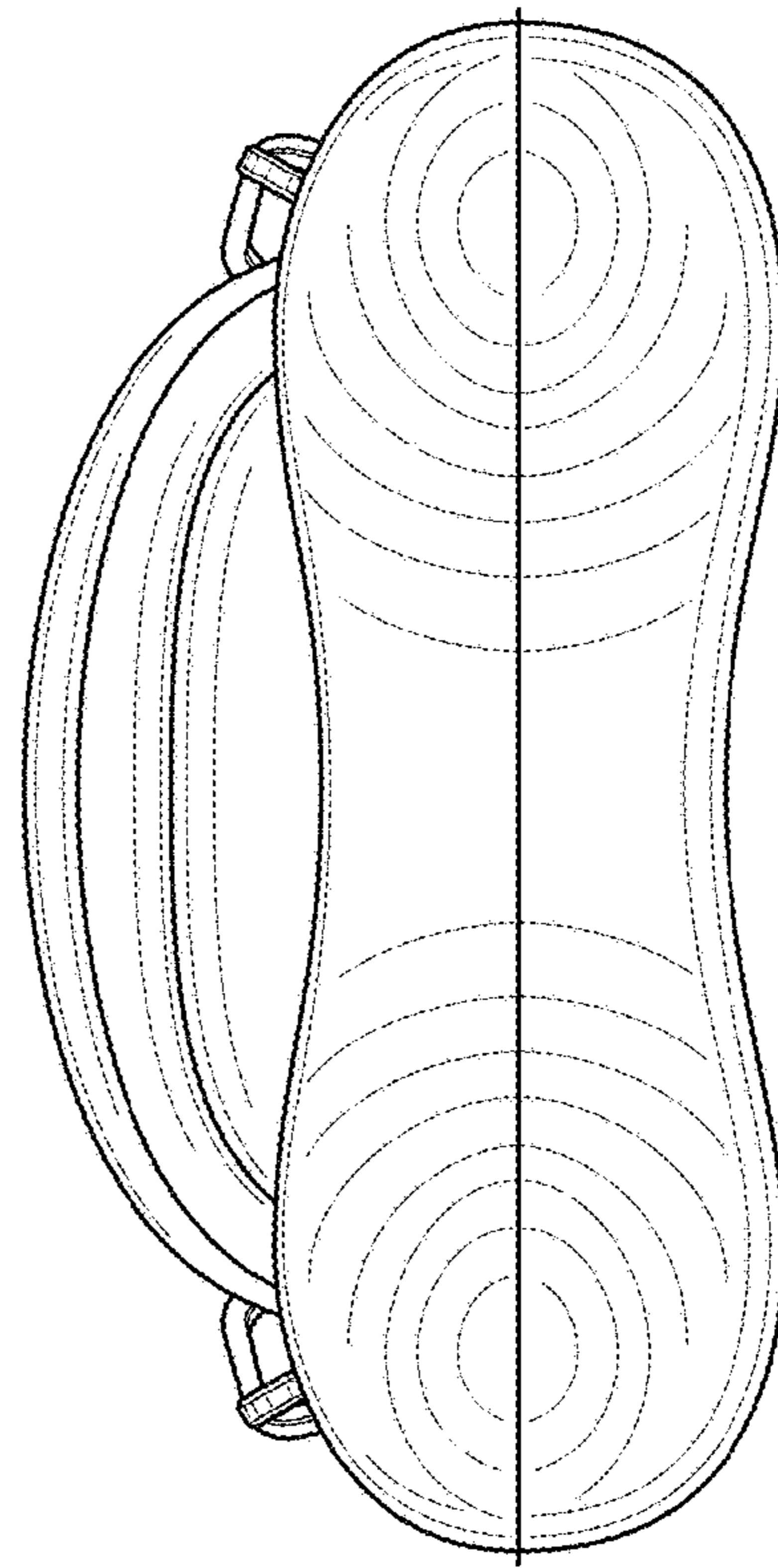


FIG. 7