



US00D821518S

(12) **United States Design Patent** (10) **Patent No.:** **US D821,518 S**
Biocina (45) **Date of Patent:** **** Jun. 26, 2018**

(54) **SKATE TOOL**
(71) Applicant: **Teo Damir Biocina**, Los Angeles, CA (US)
(72) Inventor: **Teo Damir Biocina**, Los Angeles, CA (US)
(**) Term: **15 Years**
(21) Appl. No.: **29/542,766**
(22) Filed: **Oct. 16, 2015**
(51) **LOC (11) Cl.** **21-02**
(52) **U.S. Cl.**
USPC **D21/771**; D8/105
(58) **Field of Classification Search**
USPC D21/771
CPC B25B 13/48; B25B 15/008; B25F 3/00;
B25F 1/00; B25F 1/02; B25G 1/08;
B25G 1/085; A63C 17/0006; B67B 7/44
See application file for complete search history.

7,530,295 B2 * 5/2009 Jones B25F 1/00
81/124.4
D726,517 S * 4/2015 Fischer D8/17
D733,516 S * 7/2015 Kelleghan D8/105
D747,947 S * 1/2016 Ma D8/105
D758,824 S * 6/2016 Kelleghan D8/105
D772,679 S * 11/2016 Hawker D3/210
D773,274 S * 12/2016 Berman D8/105
D799,300 S * 10/2017 Chang D8/105
D801,139 S * 10/2017 Cheng D8/19
D801,599 S * 10/2017 Macca D30/199
2006/0266160 A1 * 11/2006 Yeh B67B 7/16
81/3.4
2014/0059782 A1 * 3/2014 Duncan B25F 1/00
7/138
2017/0021487 A1 * 1/2017 Davis B25F 1/04

OTHER PUBLICATIONS

A survey of Skate Tools, Before Oct. 15, 2015.

* cited by examiner

Primary Examiner — Cynthia M Chin
(74) *Attorney, Agent, or Firm* — Payam Moradian

(57) **CLAIM**

I claim the ornamental design for a skate tool, as shown and described.

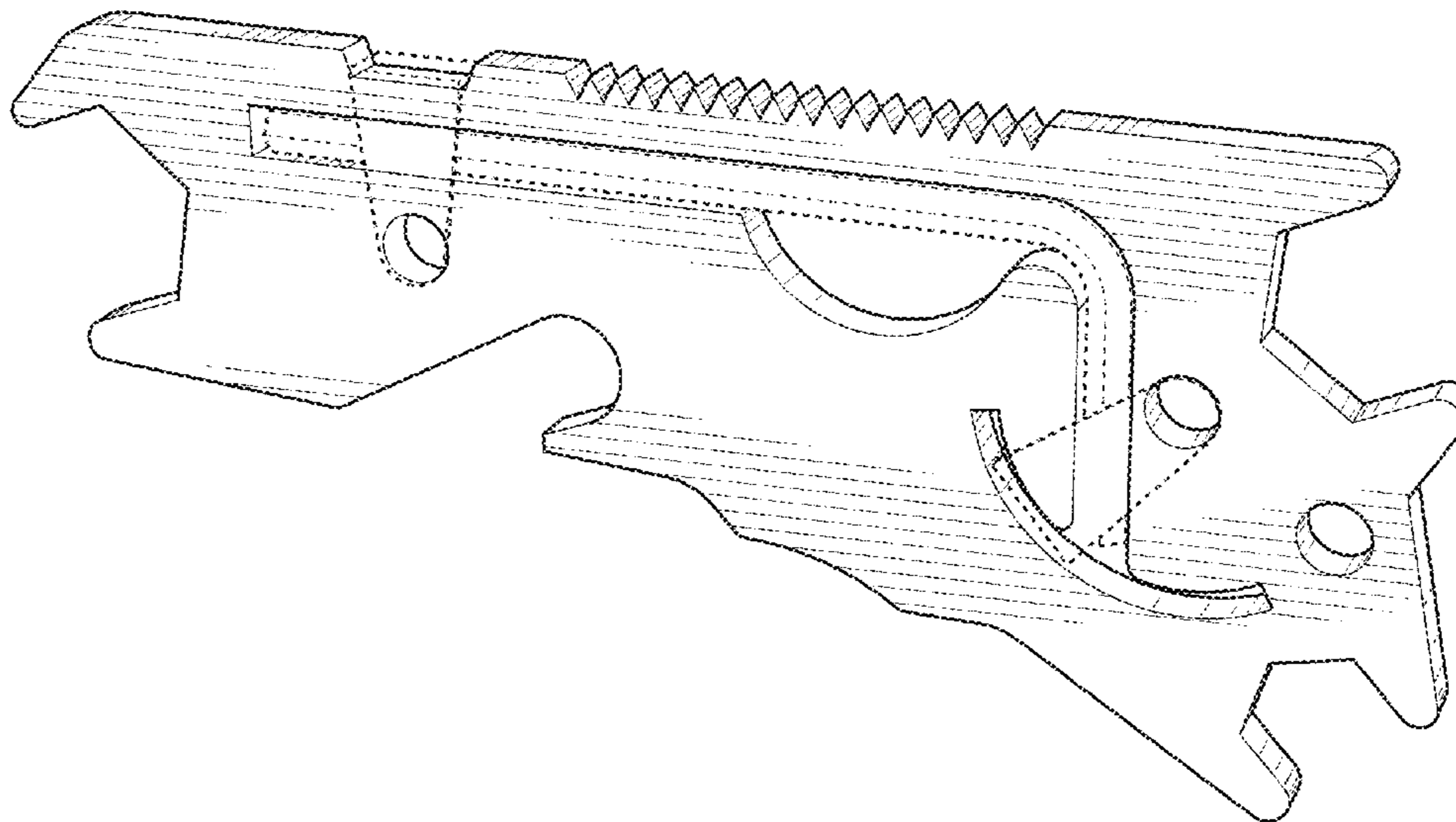
DESCRIPTION

FIG. 1 is a perspective view of a first embodiment of a skate tool;
FIG. 2 is a front view thereof;
FIG. 3 is a back view thereof;
FIG. 4 is a left side view thereof;
FIG. 5 is a right side view thereof;
FIG. 6 is a top view thereof; and,
FIG. 7 is a bottom view thereof.
The broken lines shown in FIGS. 1 to 7 illustrate portions of the skate tool that form no part of the claimed design.

1 Claim, 3 Drawing Sheets

(56) **References Cited**
U.S. PATENT DOCUMENTS

D197,915 S * 4/1964 Ayars 7/164
D243,506 S * 3/1977 Hess D8/105
4,774,736 A * 10/1988 Brawner B25B 13/48
7/138
5,259,281 A * 11/1993 Burke B25B 13/04
7/138
5,303,439 A * 4/1994 Seals B25B 13/56
59/7
6,062,111 A * 5/2000 Wershe B25B 13/56
81/177.2
D490,284 S * 5/2004 McElligott D8/21
6,862,964 B2 * 3/2005 Chen B25B 13/56
81/177.4
D512,286 S * 12/2005 Wolf D8/21
7,305,907 B2 * 12/2007 Burwell B25B 13/56
81/177.2



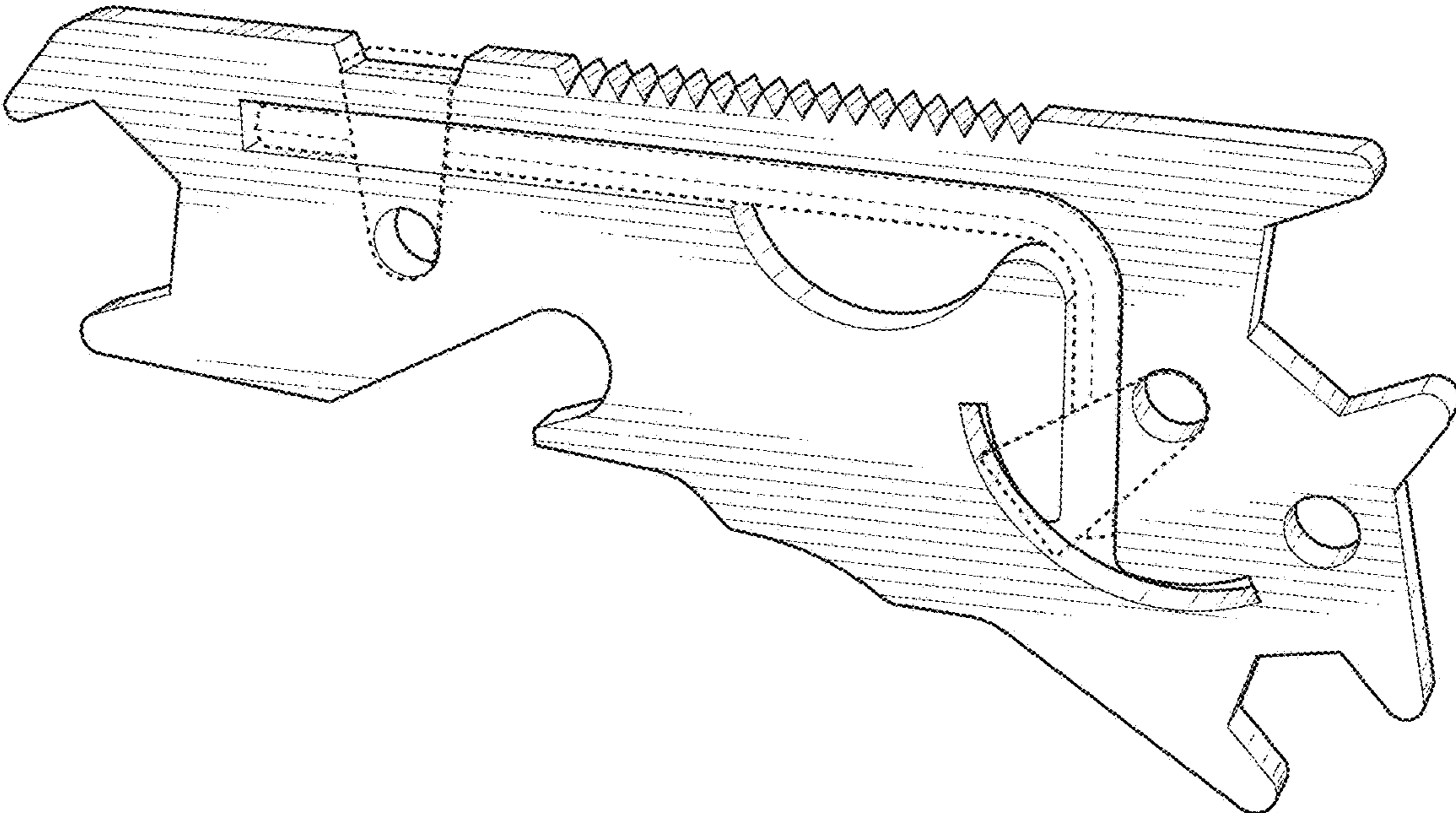


FIG. 1

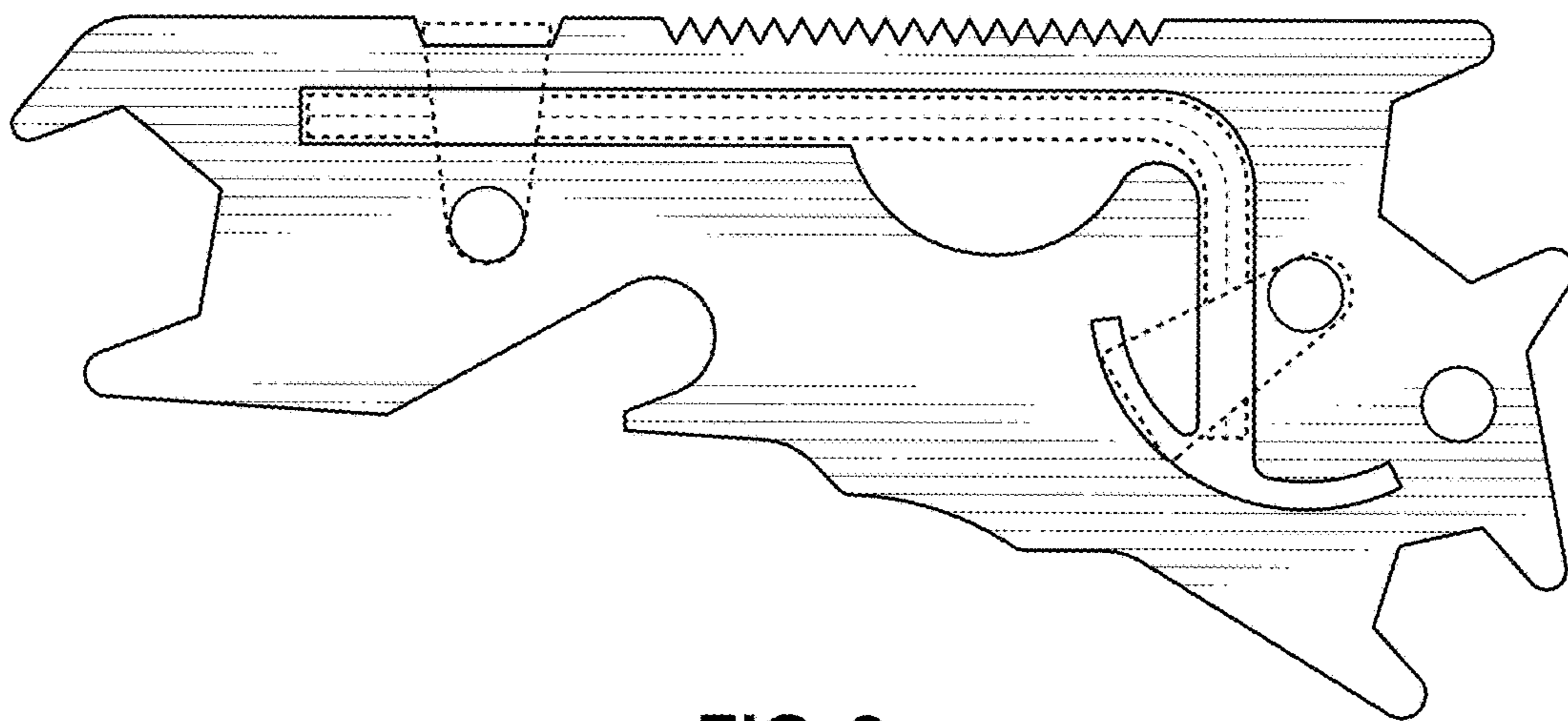


FIG. 2

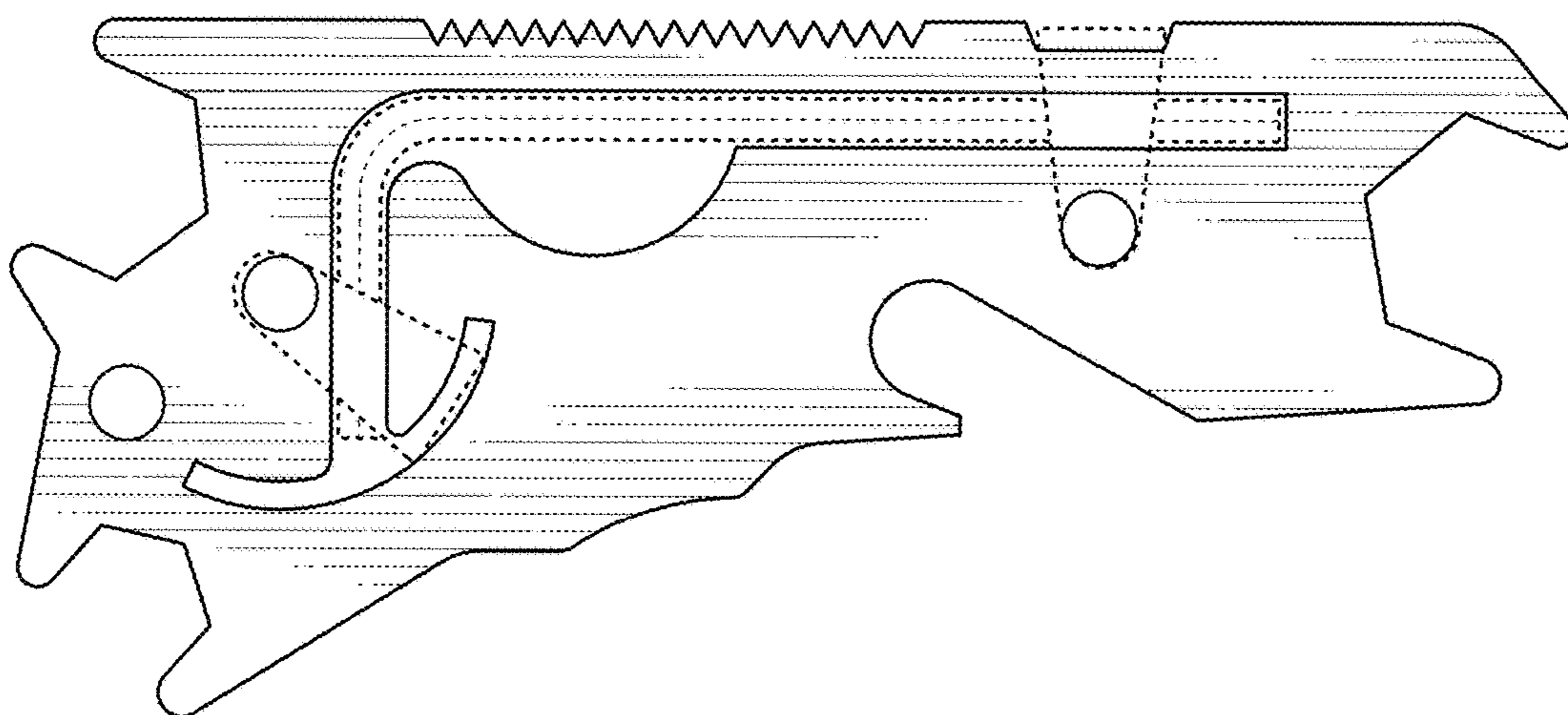


FIG. 3



FIG. 4

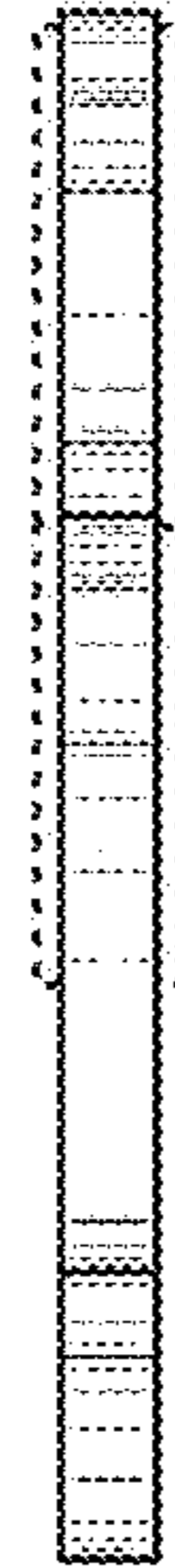


FIG. 5

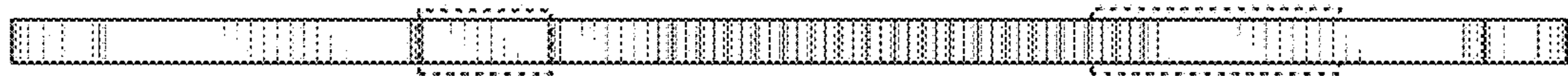


FIG. 6



FIG. 7