



US00D821517S

(12) **United States Design Patent**  
**Doerksen**

(10) **Patent No.:** **US D821,517 S**  
(45) **Date of Patent:** **\*\* Jun. 26, 2018**

(54) **SKATEBOARD**

(71) Applicant: **Future Motion, Inc.**, Santa Cruz, CA  
(US)

(72) Inventor: **Kyle Jonathan Doerksen**, Santa Cruz,  
CA (US)

(73) Assignee: **Future Motion, Inc.**, Santa Cruz, CA  
(US)

(\*\*) Term: **15 Years**

(21) Appl. No.: **29/589,624**

(22) Filed: **Jan. 3, 2017**

(51) **LOC (11) Cl.** ..... **21-02**

(52) **U.S. Cl.**  
USPC ..... **D21/765**

(58) **Field of Classification Search**  
USPC ..... D21/419, 421, 423, 426, 662, 760, 765,  
D21/766, 769, 771, 776, 803; D12/1;  
280/7.14, 11.115, 11.19, 11.27, 11.28,  
280/14.21, 79.11, 79.2, 87.01, 87.021,  
280/87.03, 87.041, 87.042, 607, 608, 609,  
280/809; 180/180, 181; 434/247, 253,  
434/258; D34/23, 28  
CPC ..... A63C 17/01; A63C 17/011; A63C 17/012;  
A63C 17/014; A63C 17/015; A63C  
17/02; A63C 17/26; A63C 5/003; B60Q  
1/326; B62K 3/001  
See application file for complete search history.

(56) **References Cited**

**U.S. PATENT DOCUMENTS**

1,585,258 A 5/1926 Moore  
D233,619 S 11/1974 Kelling  
4,106,786 A 8/1978 Talbott  
4,109,741 A 8/1978 Gabriel  
4,997,196 A 3/1991 Wood  
5,119,277 A 6/1992 Copley et al.  
5,119,279 A 6/1992 Makowsky

5,132,883 A 7/1992 La Lumandier  
5,487,441 A 1/1996 Endo et al.  
5,513,080 A 4/1996 Magle et al.  
5,794,730 A 8/1998 Kamen

(Continued)

**FOREIGN PATENT DOCUMENTS**

TW 450823 B 8/2001  
WO 2009/071879 A9 6/2009

**OTHER PUBLICATIONS**

Ben Smither, Balancing Scooter / Skateboard, video, retrieved Sep. 22, 2016 from <https://www.youtube.com/watch?v=HGbbag9dkIU>, uploaded to YouTube on Mar. 4, 2007.

(Continued)

*Primary Examiner* — Cynthia M Chin

(74) *Attorney, Agent, or Firm* — Kolisch Hartwell, P.C.

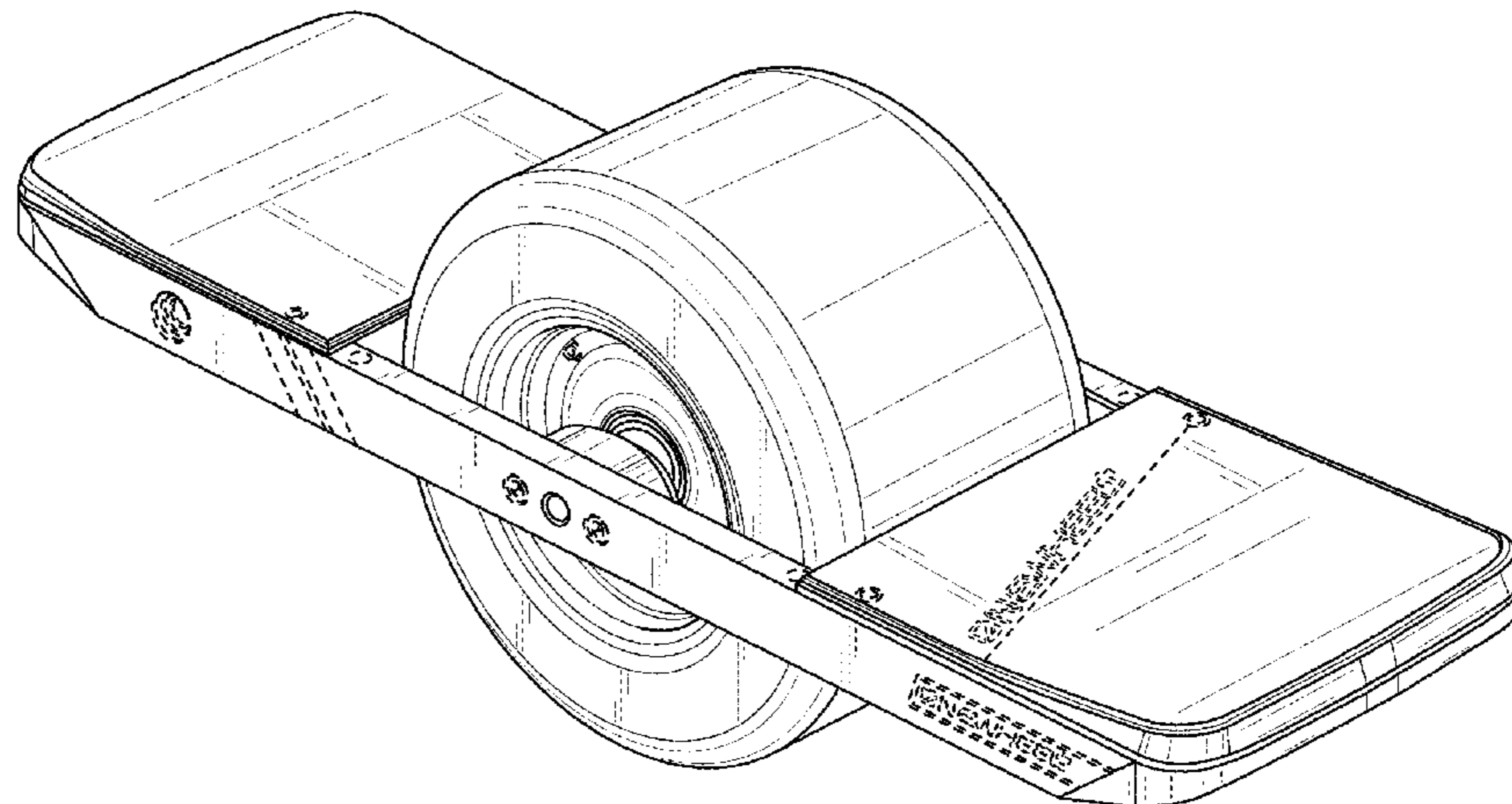
(57) **CLAIM**

The ornamental design for a skateboard, as shown and described.

**DESCRIPTION**

FIG. 1 is an upper, front, and right side perspective view of a skateboard showing the new design;  
FIG. 2 is an upper, front, and left side perspective view thereof;  
FIG. 3 is an upper, rear, and left side perspective view thereof;  
FIG. 4 is a top plan view thereof;  
FIG. 5 is a bottom plan view thereof;  
FIG. 6 is a front elevational view thereof, where the rear elevational view is a mirror image of the front elevational view;  
FIG. 7 is a right side elevational view thereof; and,  
FIG. 8 is a left side elevational view thereof.  
The broken lines are for the purpose of illustrating portions of the article that form no part of the claim.

**1 Claim, 8 Drawing Sheets**



(56)

References Cited

U.S. PATENT DOCUMENTS

6,050,357 A 4/2000 Staelin et al.  
 6,223,104 B1 4/2001 Kamen et al.  
 6,288,505 B1 9/2001 Heinzmann et al.  
 6,332,103 B1 12/2001 Steenson, Jr. et al.  
 6,408,240 B1 6/2002 Morrell et al.  
 6,536,788 B1 3/2003 Kuncz et al.  
 6,538,411 B1 3/2003 Field et al.  
 6,553,271 B1 4/2003 Morrell  
 6,561,294 B1 5/2003 Kamen et al.  
 6,779,621 B2 8/2004 Kamen et al.  
 6,789,640 B1 9/2004 Arling et al.  
 6,827,163 B2 12/2004 Amsbury et al.  
 6,874,591 B2 4/2005 Morrell et al.  
 6,965,206 B2 11/2005 Kamen et al.  
 6,992,452 B1 1/2006 Sachs et al.  
 7,023,330 B2 4/2006 Kamen et al.  
 7,053,289 B2 5/2006 Iwai et al.  
 7,090,040 B2 8/2006 Kamen et al.  
 7,091,724 B2 8/2006 Heinzmann et al.  
 7,130,702 B2 10/2006 Morrell  
 7,138,774 B2 11/2006 Negoro et al.  
 7,157,875 B2 1/2007 Kamen et al.  
 7,172,044 B2 2/2007 Bouvet  
 7,198,280 B2 4/2007 Hara  
 7,263,453 B1 8/2007 Gansler et al.  
 D551,592 S 9/2007 Chang et al.  
 D567,318 S 4/2008 Farrelly et al.  
 7,424,927 B2 9/2008 Hiramatsu et al.  
 7,479,097 B2 1/2009 Rosborough et al.  
 7,740,099 B2 6/2010 Field et al.  
 7,757,794 B2 7/2010 Heinzmann et al.  
 D624,136 S 9/2010 Chen  
 7,789,174 B2 9/2010 Kamen et al.  
 7,811,217 B2 10/2010 Odien  
 7,857,088 B2 12/2010 Field et al.  
 7,900,725 B2 3/2011 Heinzmann et al.  
 7,962,256 B2 6/2011 Stevens et al.  
 7,963,352 B2 6/2011 Alexander  
 7,979,179 B2 7/2011 Gansler  
 8,025,300 B1 9/2011 Jordan  
 8,052,293 B2 11/2011 Hurwitz  
 8,083,313 B2 12/2011 Karppinen et al.  
 8,146,696 B2 4/2012 Kaufman  
 8,170,780 B2 5/2012 Field et al.  
 8,308,171 B2 11/2012 Farrelly  
 8,467,941 B2 6/2013 Field et al.  
 8,490,723 B2 7/2013 Heinzmann et al.

8,562,386 B2 10/2013 Carlson et al.  
 8,579,306 B2 11/2013 Lewis  
 8,682,487 B2 3/2014 Kurth et al.  
 D704,786 S 5/2014 Tang  
 9,101,817 B2 8/2015 Doerksen  
 9,211,470 B2 12/2015 Bigler  
 D746,928 S 1/2016 Doerksen  
 D747,668 S 1/2016 Chen  
 9,327,182 B1 5/2016 Meak et al.  
 9,400,505 B2 7/2016 Doerksen  
 D768,252 S 10/2016 Bigler  
 D769,997 S 10/2016 Doerksen  
 9,643,077 B2 \* 5/2017 Bigler ..... A63C 17/08  
 D797,875 S \* 9/2017 Ma ..... D21/760  
 9,755,485 B1 \* 9/2017 Doerksen ..... H02K 9/22  
 9,802,109 B2 \* 10/2017 Doerksen ..... A63C 17/12  
 D802,693 S \* 11/2017 Lu ..... D21/765  
 2005/0006859 A1 1/2005 Farrelly et al.  
 2005/0241864 A1 11/2005 Hiramatsu  
 2006/0012141 A1 1/2006 Bouvet  
 2006/0049595 A1 3/2006 Crigler et al.  
 2007/0194558 A1 8/2007 Stone et al.  
 2007/0254789 A1 11/2007 Odien  
 2010/0330876 A1 12/2010 Carlson et al.  
 2011/0309772 A1 12/2011 Forgey  
 2012/0232734 A1 9/2012 Pelletier  
 2013/0081891 A1 4/2013 Ulmen et al.  
 2013/0175943 A1 7/2013 Tackett  
 2014/0326525 A1 \* 11/2014 Doerksen ..... A63C 17/12  
 180/181  
 2016/0121198 A1 \* 5/2016 Doerksen ..... A63C 17/01  
 701/22  
 2017/0120139 A1 \* 5/2017 Ma ..... B62K 11/007  
 2017/0257008 A1 \* 9/2017 Doerksen ..... H02K 9/22

OTHER PUBLICATIONS

www.electricunicycle.com, "Leviskate self-balancing one-wheel skateboard", video, retrieved Sep. 22, 2016 from <https://www.youtube.com/watch?v=462Jj1xSSqc>, uploaded to YouTube on Aug. 5, 2007.  
 John Xenon, "One wheel self balancing skateboard Ver2 Jan. 2009. #2", video, retrieved Sep. 22, 2016 from <https://www.youtube.com/watch?v=8RPFNUsuW78>, uploaded to YouTube on Jan. 3, 2009.  
 Rodger Cleye, "Leviskate (Balancing Skateboard) in Operation", video, retrieved Sep. 22, 2016 from [https://www.youtube.com/watch?v=eN2J8m\\_E0go](https://www.youtube.com/watch?v=eN2J8m_E0go), uploaded to YouTube on Apr. 18, 2013.

\* cited by examiner

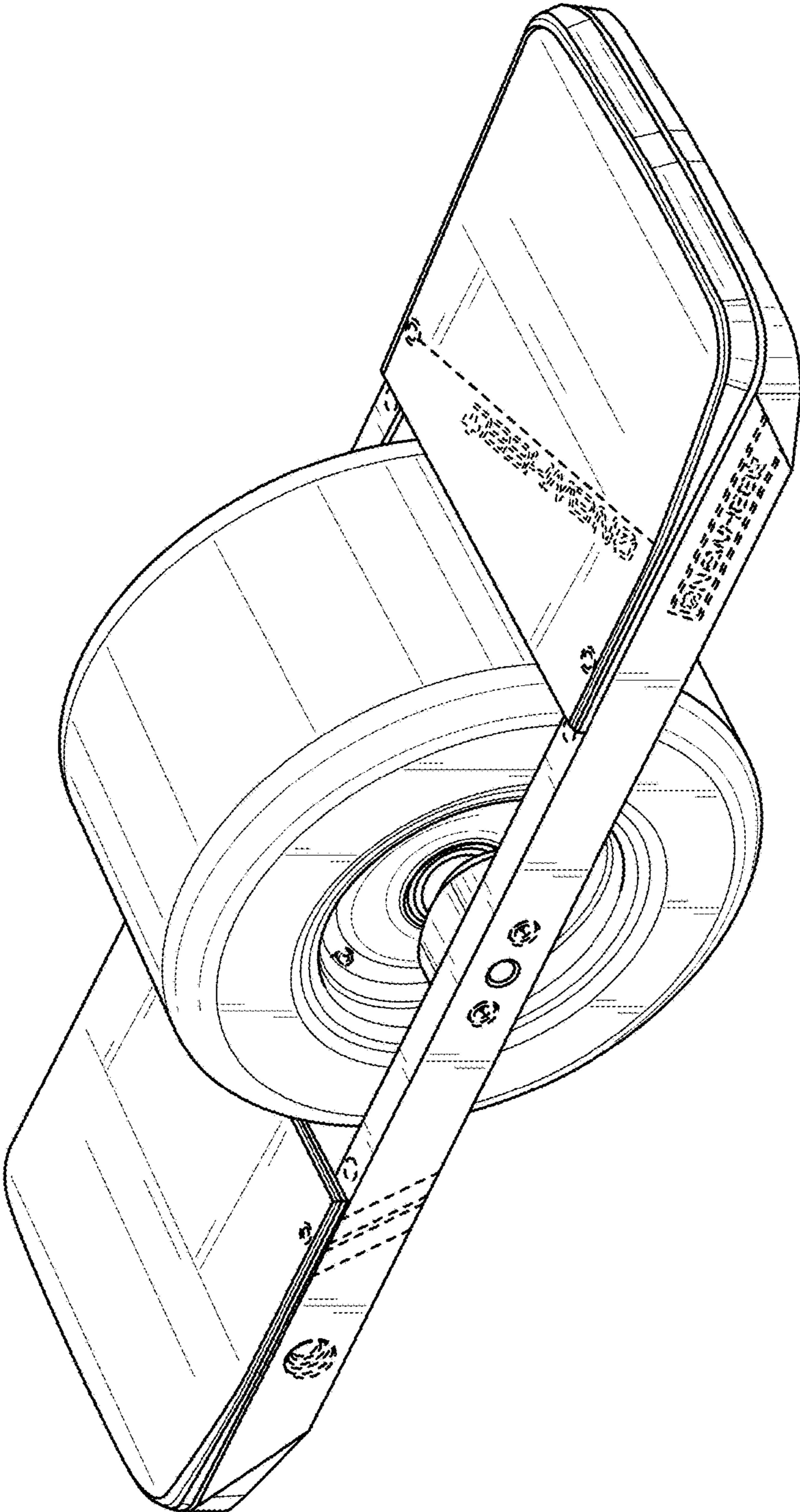


FIG. 1

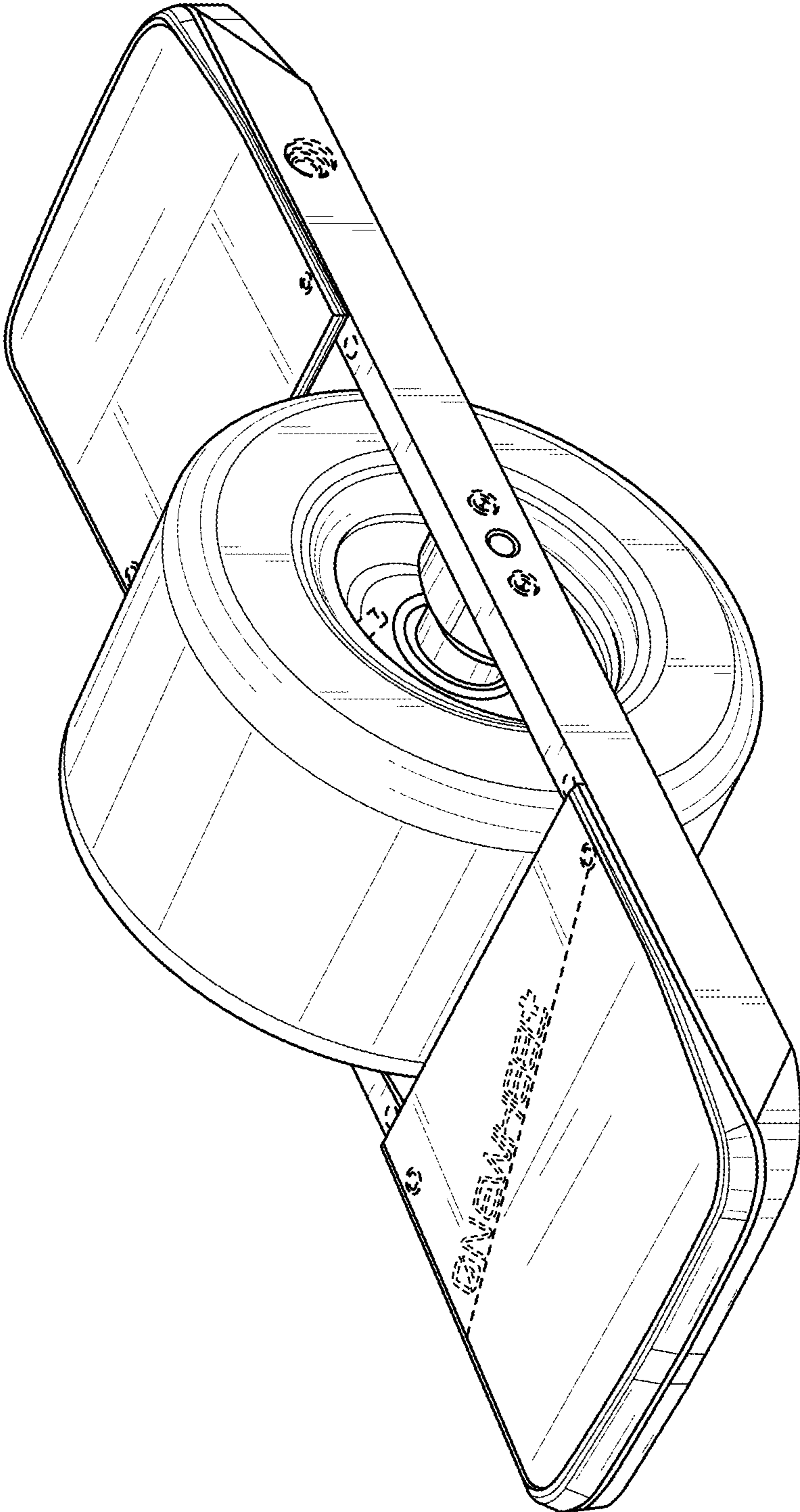


FIG. 2

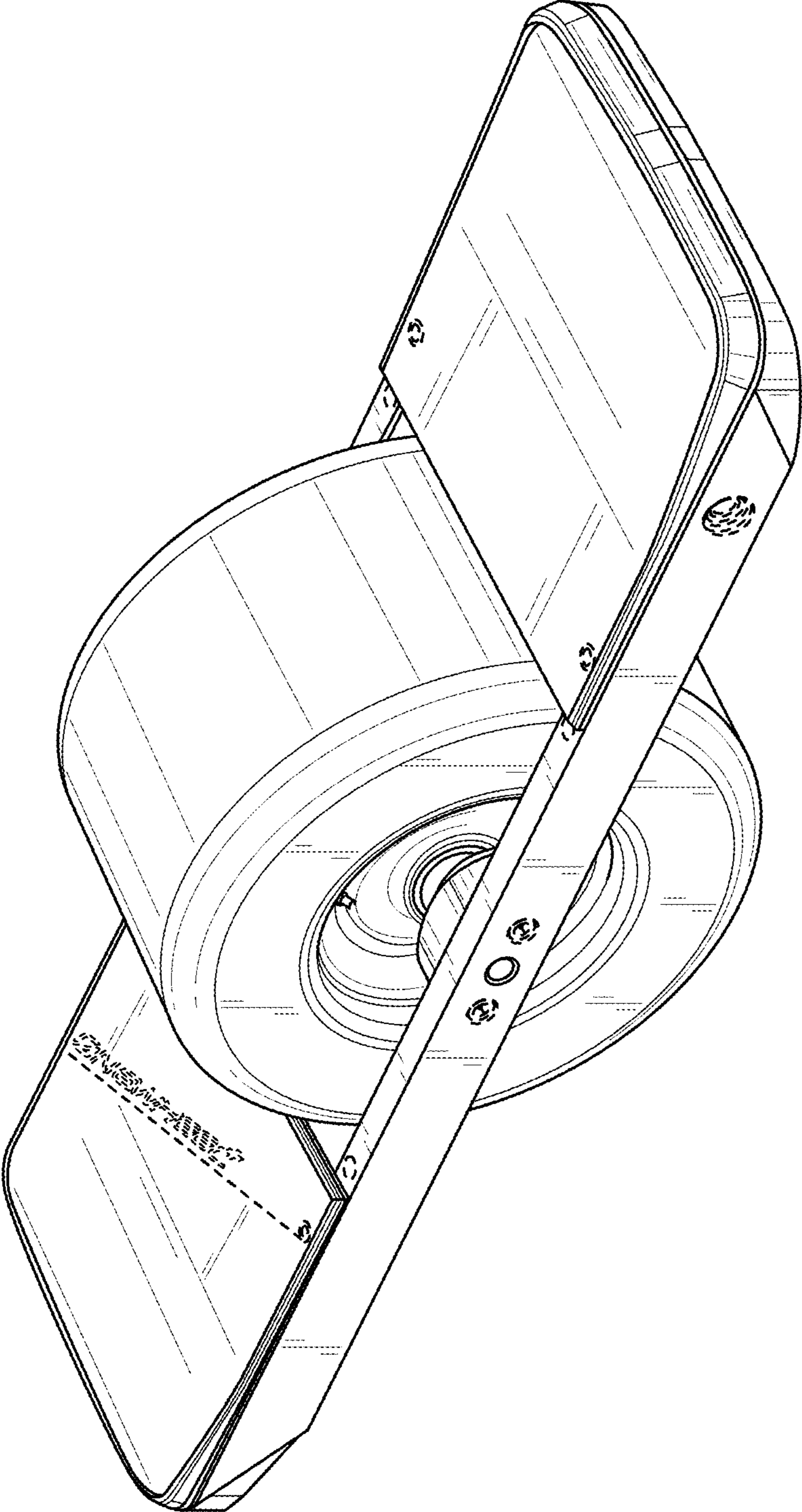


FIG. 3

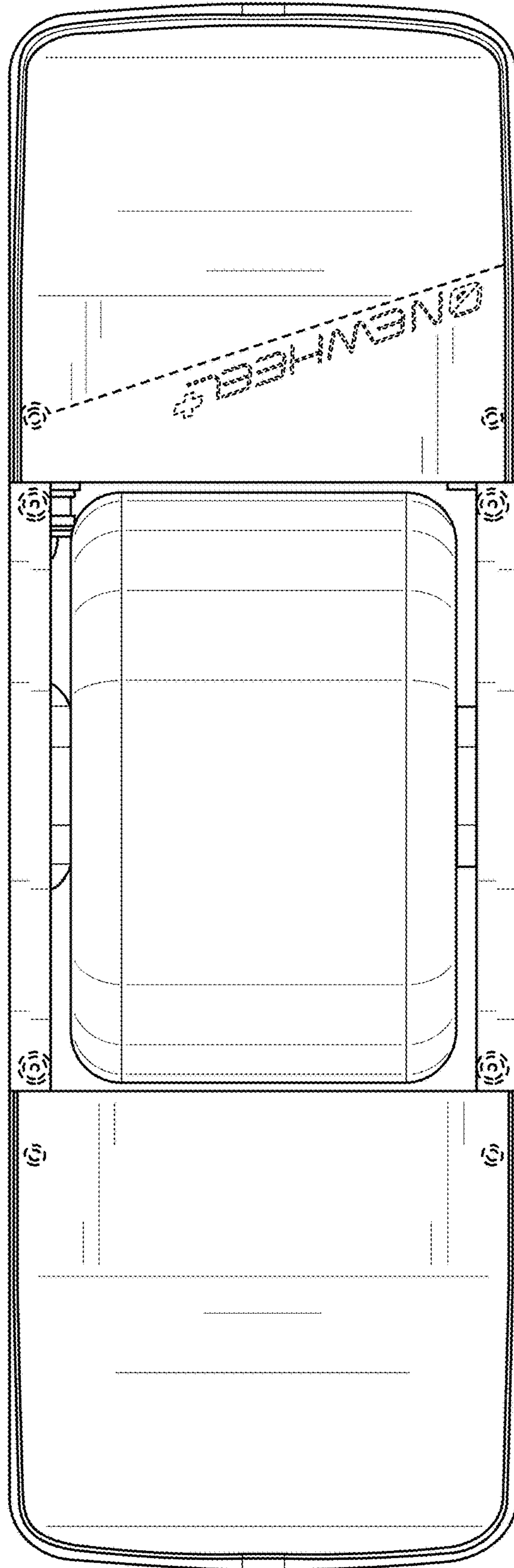


FIG. 4

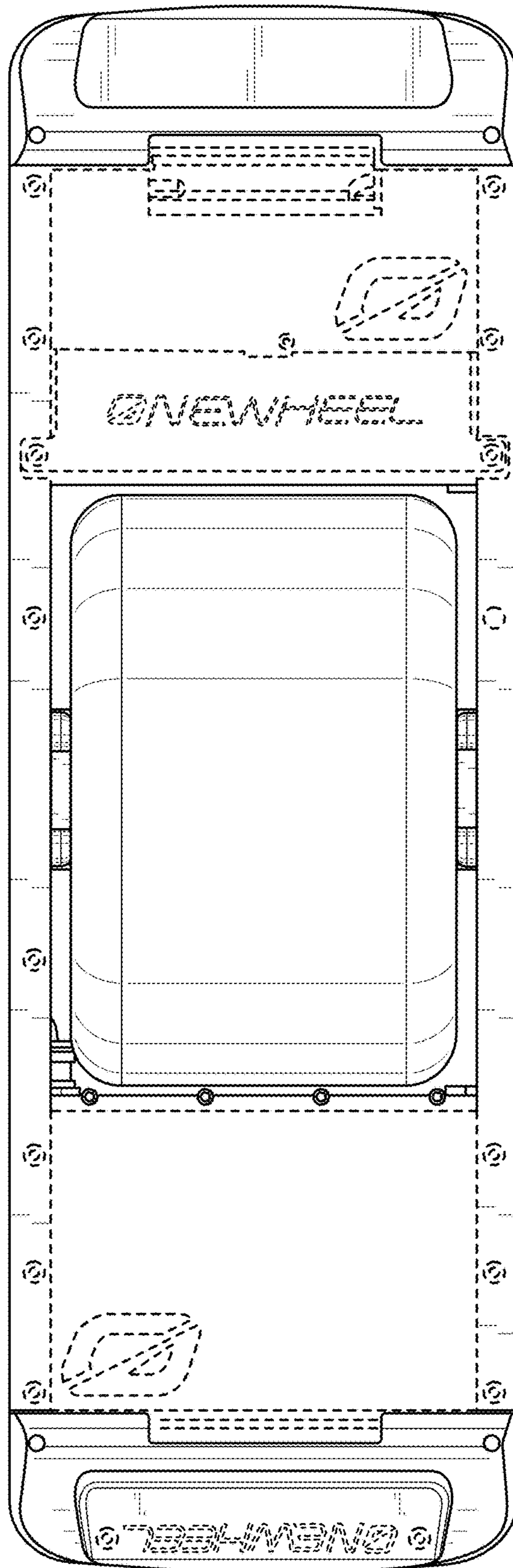


FIG. 5

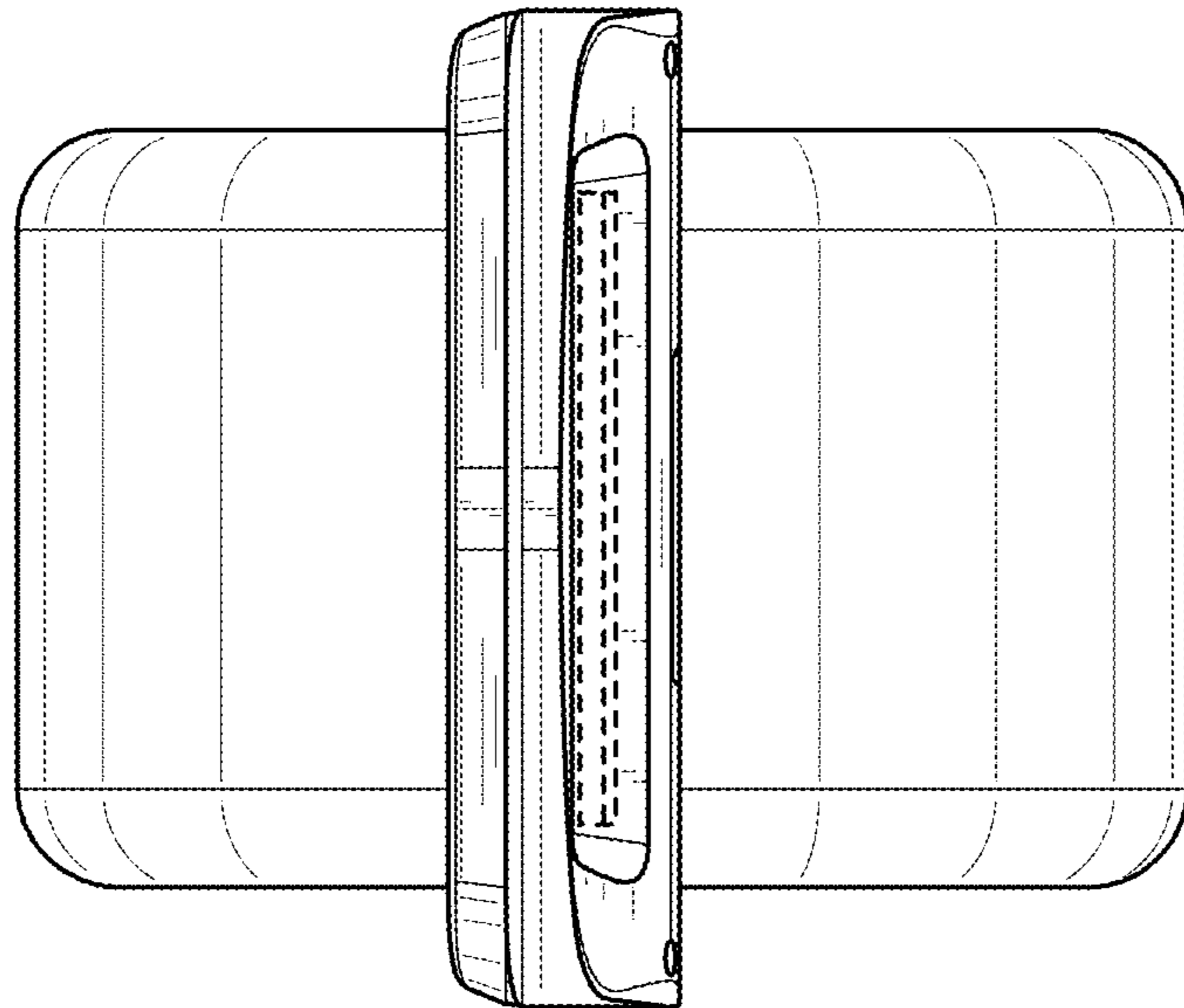


FIG. 6



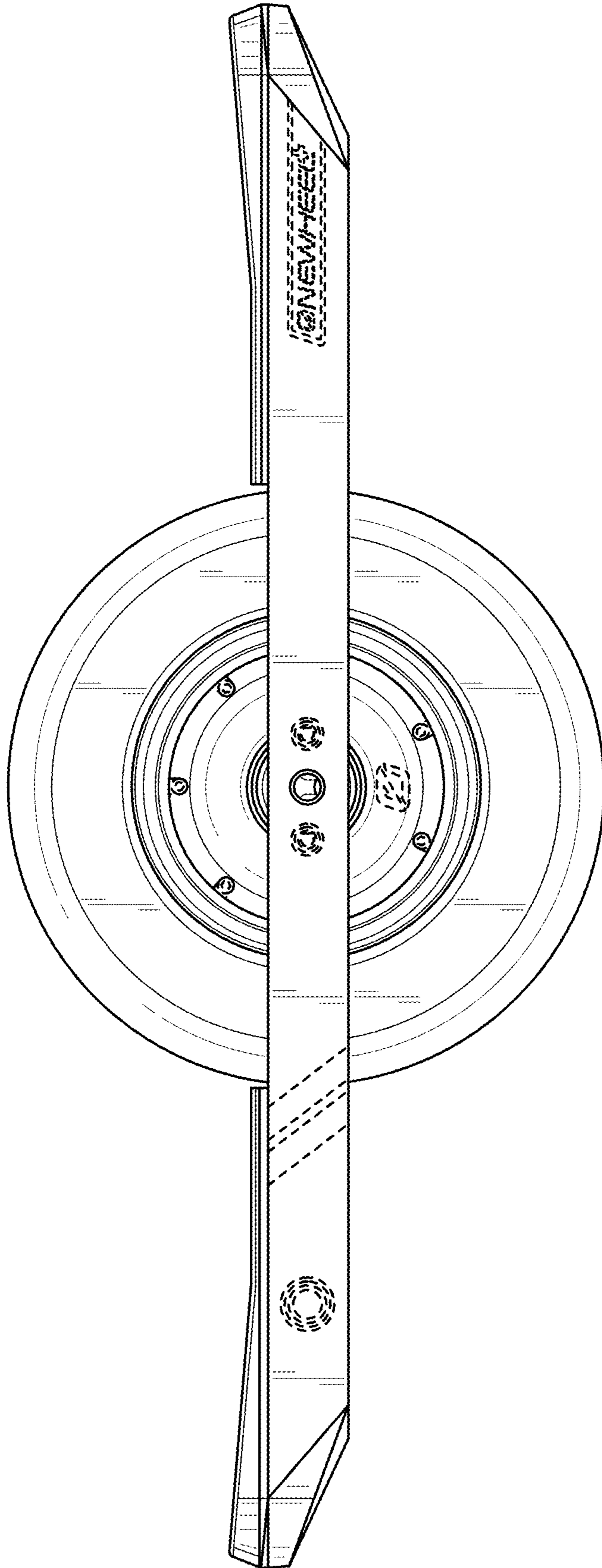


FIG. 7

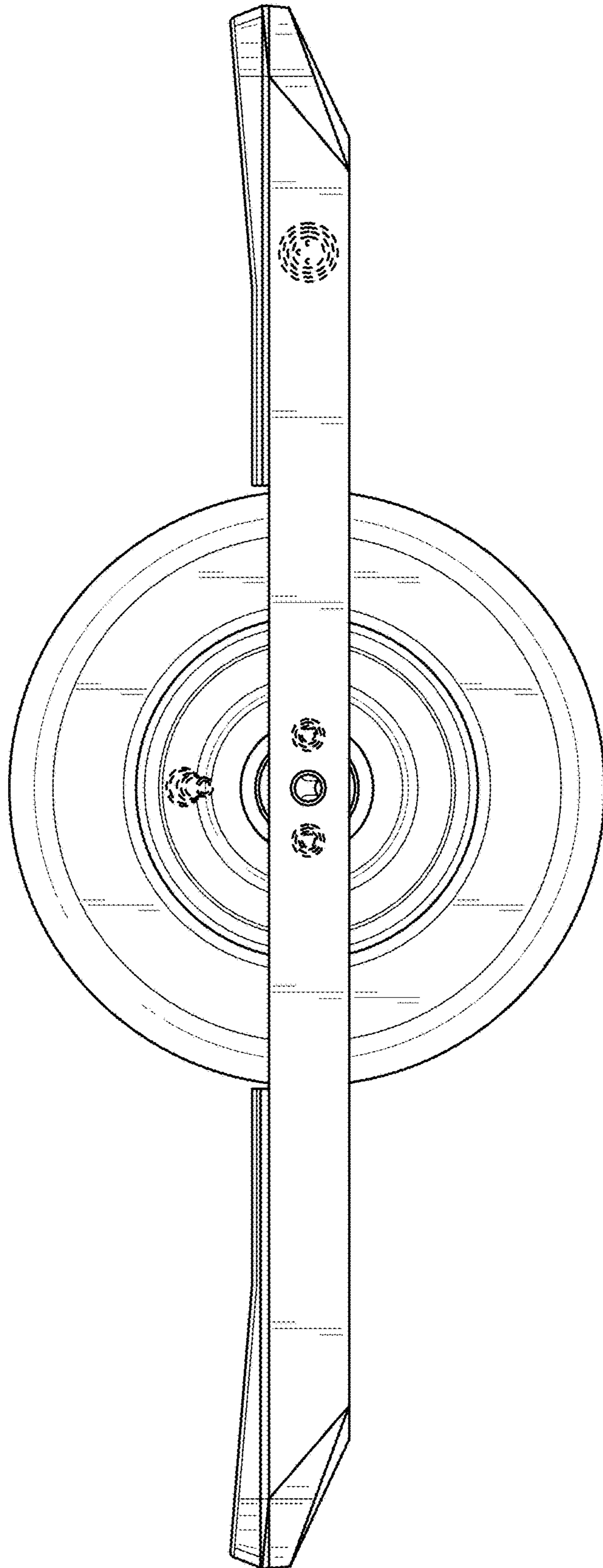


FIG. 8