



US00D821516S

(12) **United States Design Patent**
Becktor

(10) **Patent No.:** **US D821,516 S**

(45) **Date of Patent:** **** Jun. 26, 2018**

(54) **GOLF CLUB HEAD**

(71) Applicant: **DUNLOP SPORTS CO. LTD.**,
Kobe-shi, Hyogo (JP)

(72) Inventor: **Mika Becktor**, New York, NY (US)

(73) Assignee: **DUNLOP SPORTS CO. LTD.**, Kobe
(JP)

(**) Term: **15 Years**

(21) Appl. No.: **29/606,984**

(22) Filed: **Jun. 9, 2017**

(51) **LOC (11) Cl.** **21-02**

(52) **U.S. Cl.**
USPC **D21/759**

(58) **Field of Classification Search**
USPC D21/736-746, 759
CPC A63B 53/00; A63B 53/04; A63B 53/007;
A63B 53/065; A63B 53/0487; A63B
60/00; A63B 60/46
See application file for complete search history.

(56) **References Cited**

U.S. PATENT DOCUMENTS

D537,493 S *	2/2007	Cameron	D21/746
D570,934 S *	6/2008	Ban	D21/744
D583,887 S *	12/2008	Cameron	D21/743
D625,374 S *	10/2010	Hettinger	D21/743

D641,442 S *	7/2011	Rollinson	D21/744
D643,893 S *	8/2011	Rollinson	D21/742
D777,268 S *	1/2017	Becktor	D21/742
D779,606 S *	2/2017	Becktor	D21/742
D796,598 S *	9/2017	Serrano	D21/736
D797,220 S *	9/2017	Serrano	D21/743
D799,615 S *	10/2017	Kroloff	D21/736
D799,616 S *	10/2017	Becktor	D21/742
D799,617 S *	10/2017	Becktor	D21/742
D803,334 S *	11/2017	Becktor	D21/742
D803,959 S *	11/2017	Rollinson	D21/743
D812,163 S *	3/2018	Kroloff	D21/736

* cited by examiner

Primary Examiner — Mitchell I. Siegel

(74) *Attorney, Agent, or Firm* — Oliff PLC

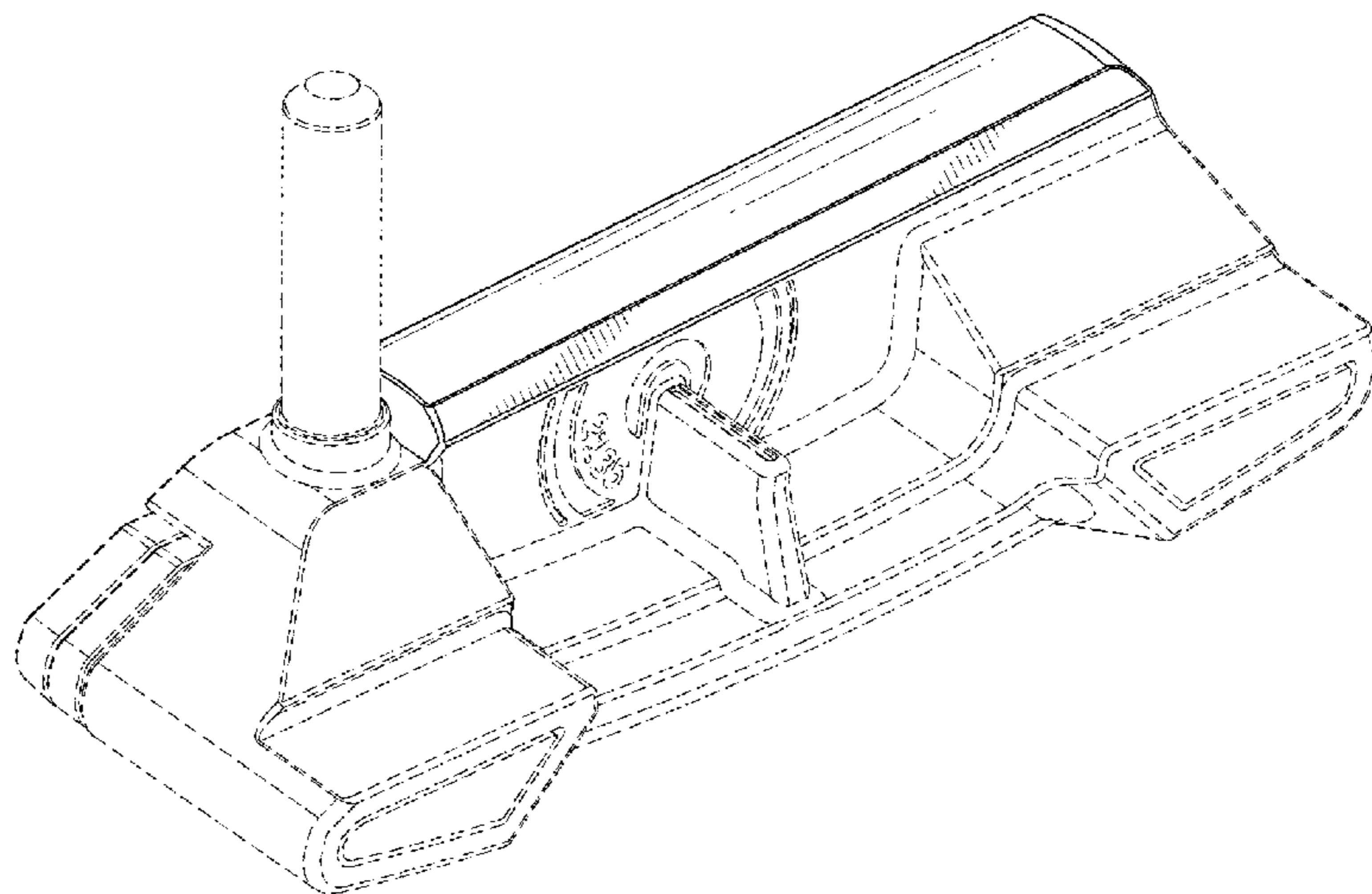
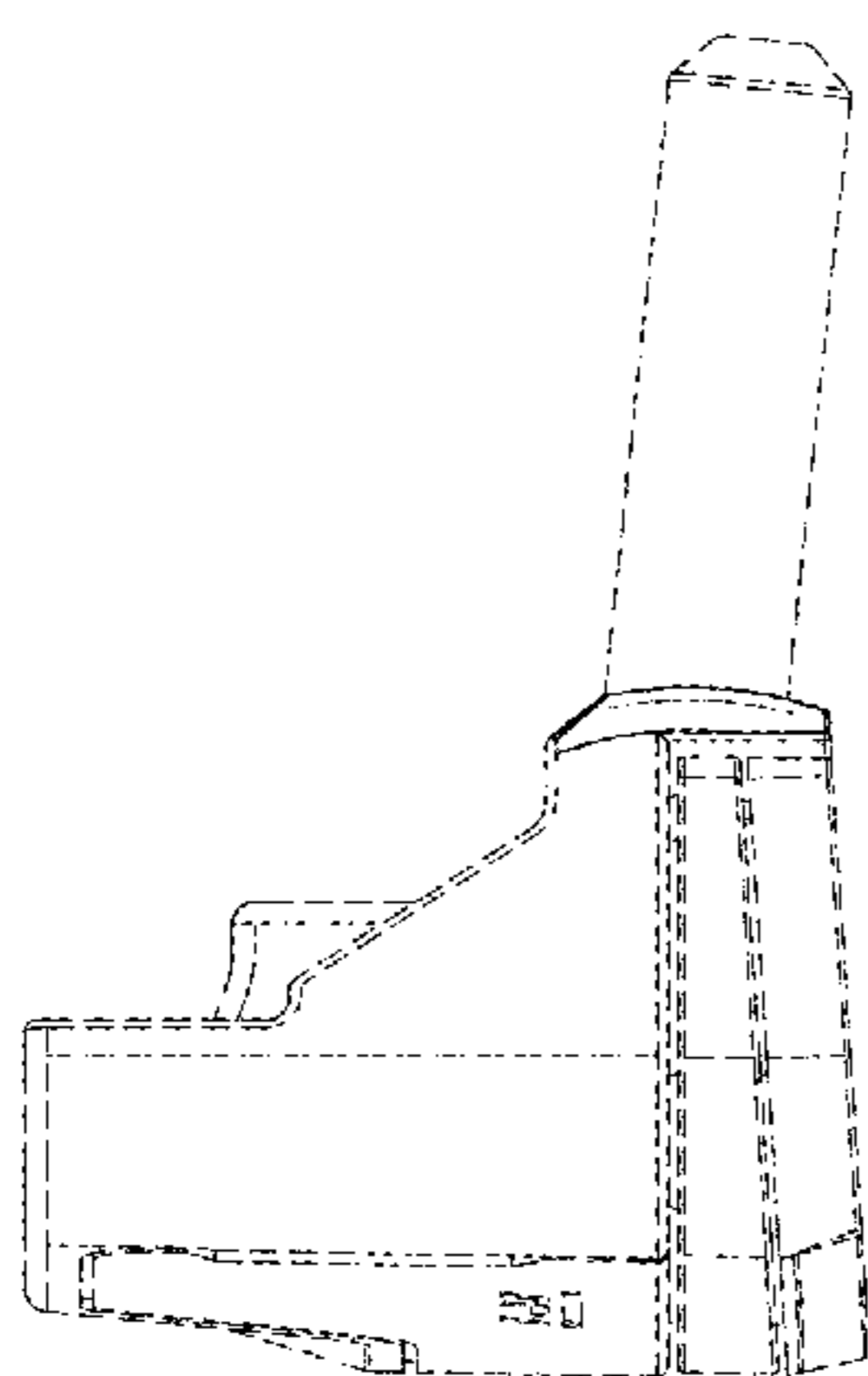
(57) **CLAIM**

The ornamental design for a golf club head, as shown and described.

DESCRIPTION

FIG. 1 is a top, toe-side, front perspective view of the golf club head;
FIG. 2 is a front elevational view thereof;
FIG. 3 is a top plan view thereof;
FIG. 4 is a toe-side elevational view thereof;
FIG. 5 is a heel-side elevational view thereof;
FIG. 6 is a rear elevational view thereof; and,
FIG. 7 is a top, heel-side, rear perspective view thereof.
The broken lines depict unclaimed parts of the golf club head, and thus form no part of the claimed design.

1 Claim, 6 Drawing Sheets



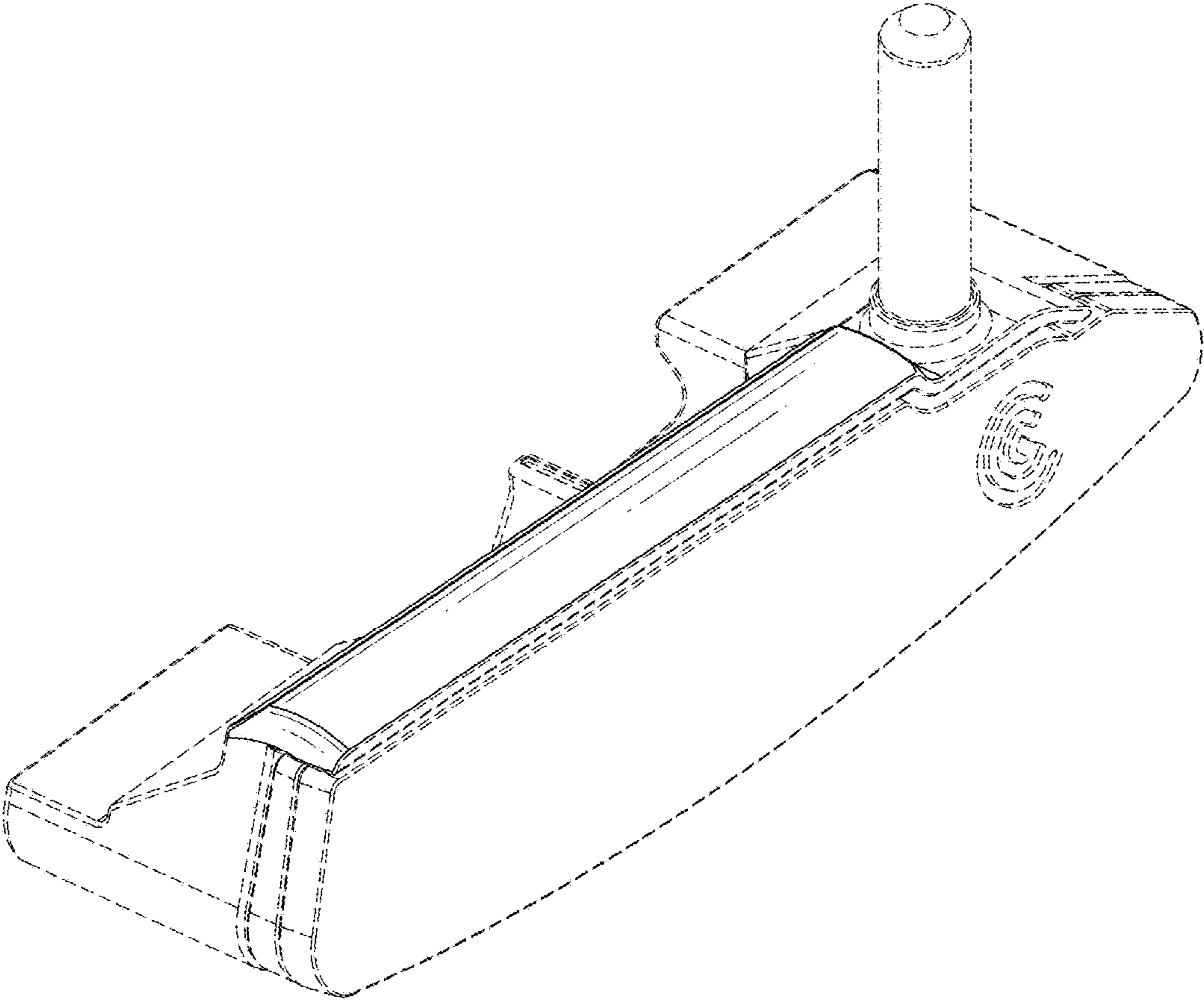


FIG. 1

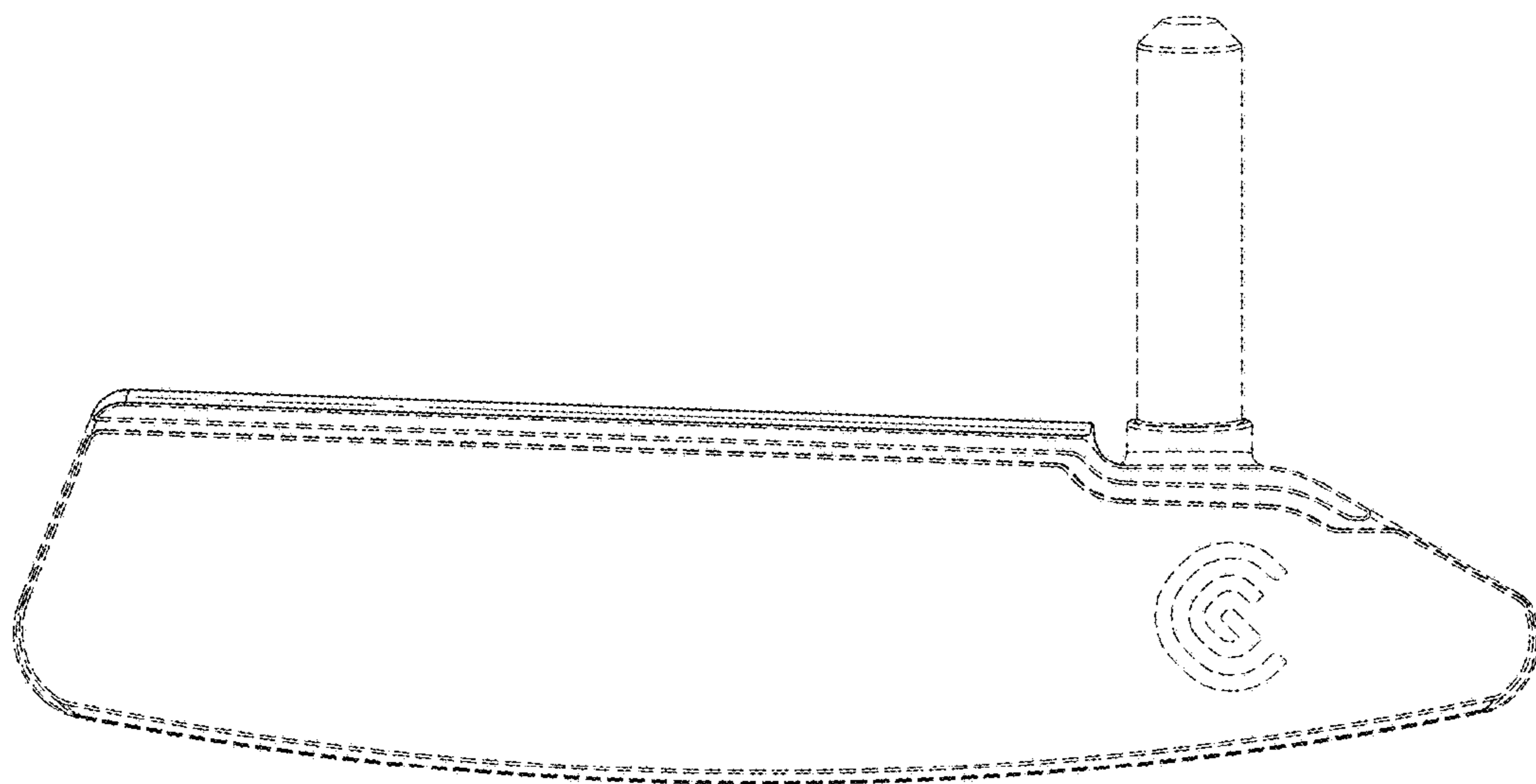


FIG. 2

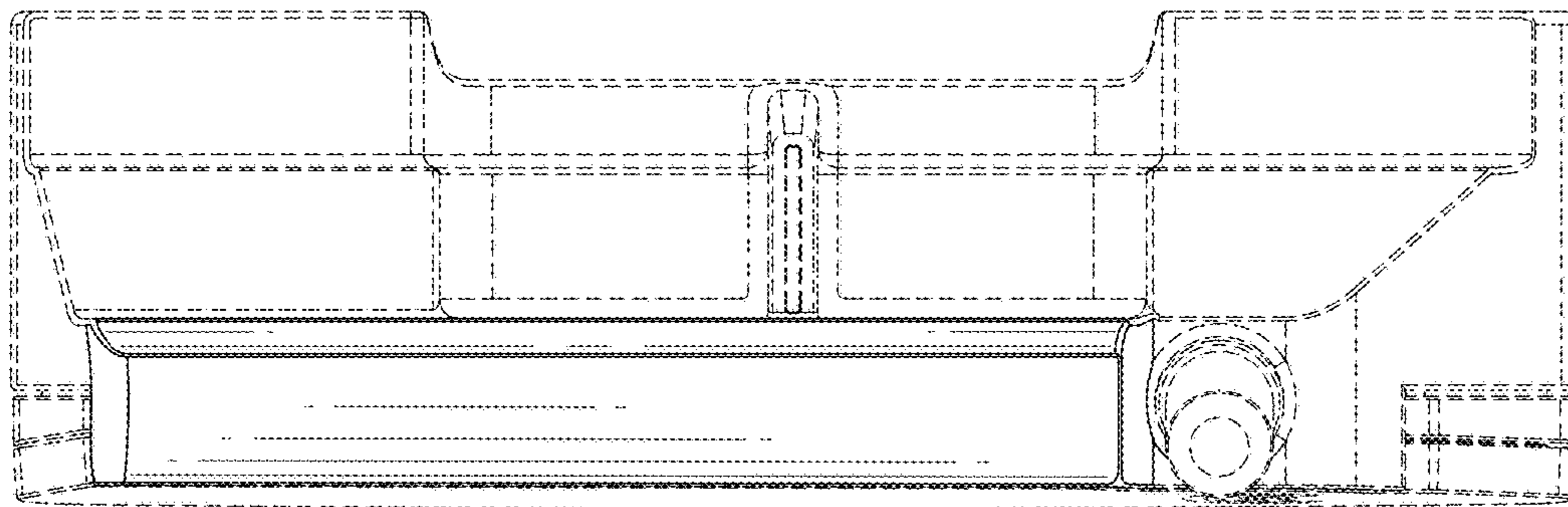


FIG. 3

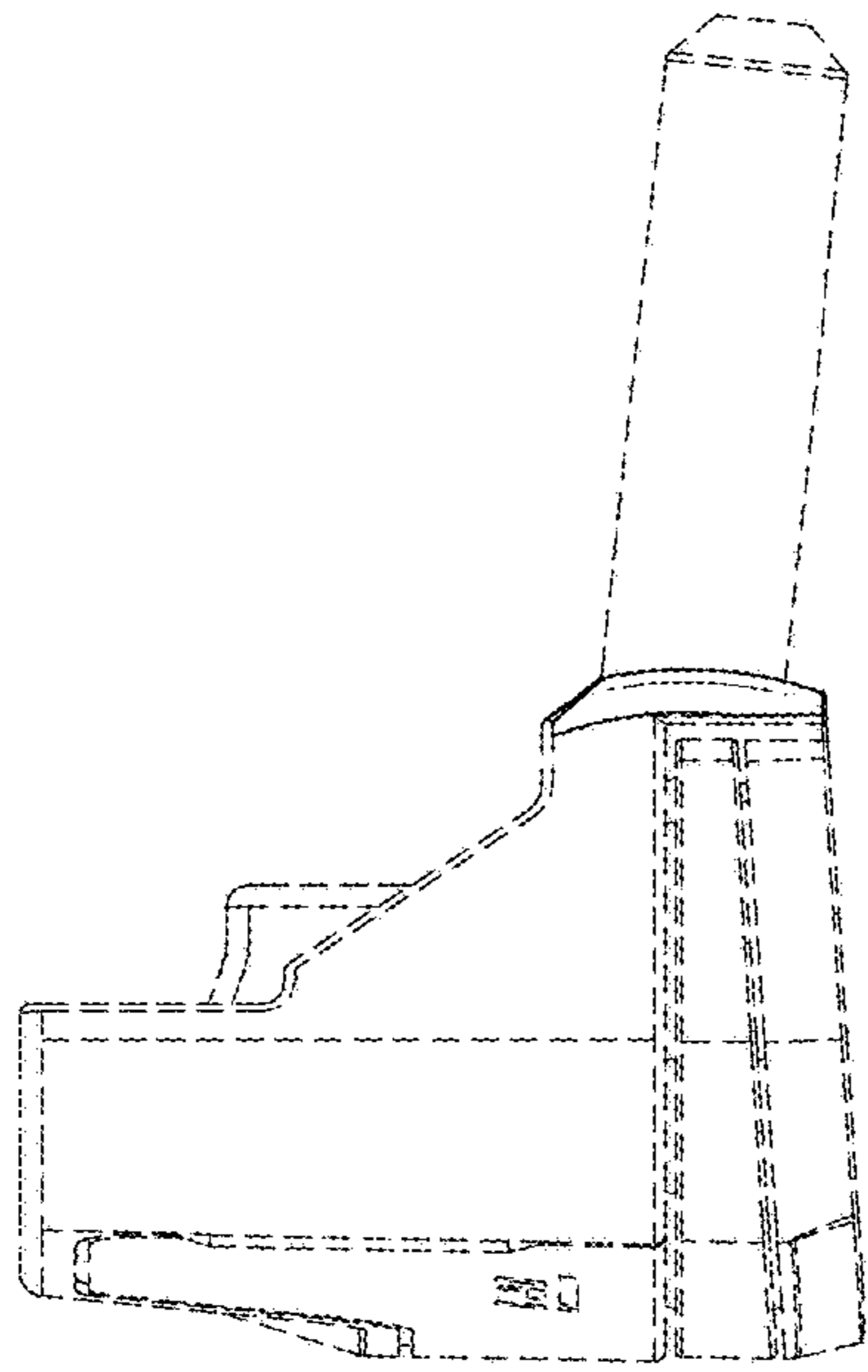


FIG. 4

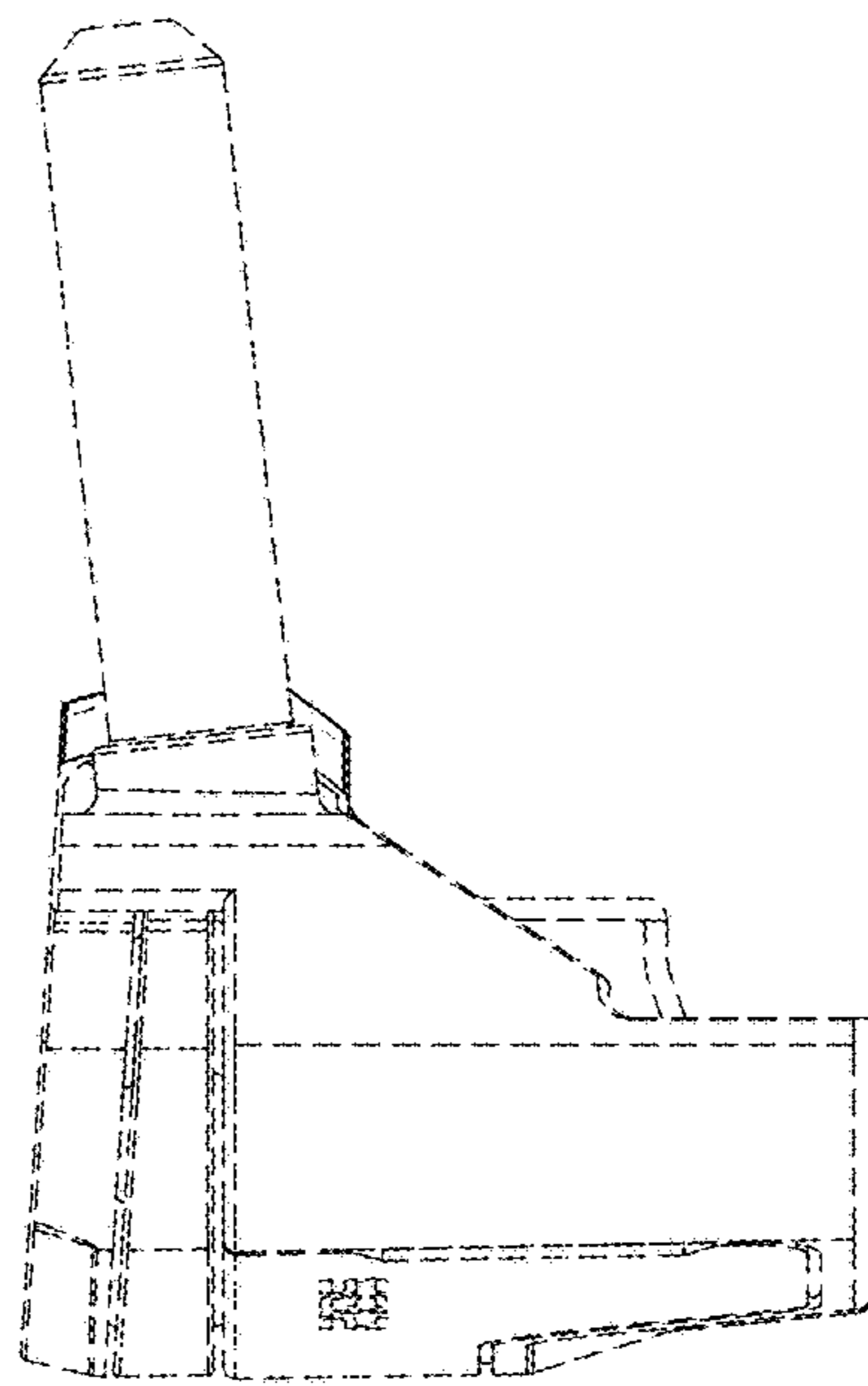


FIG. 5

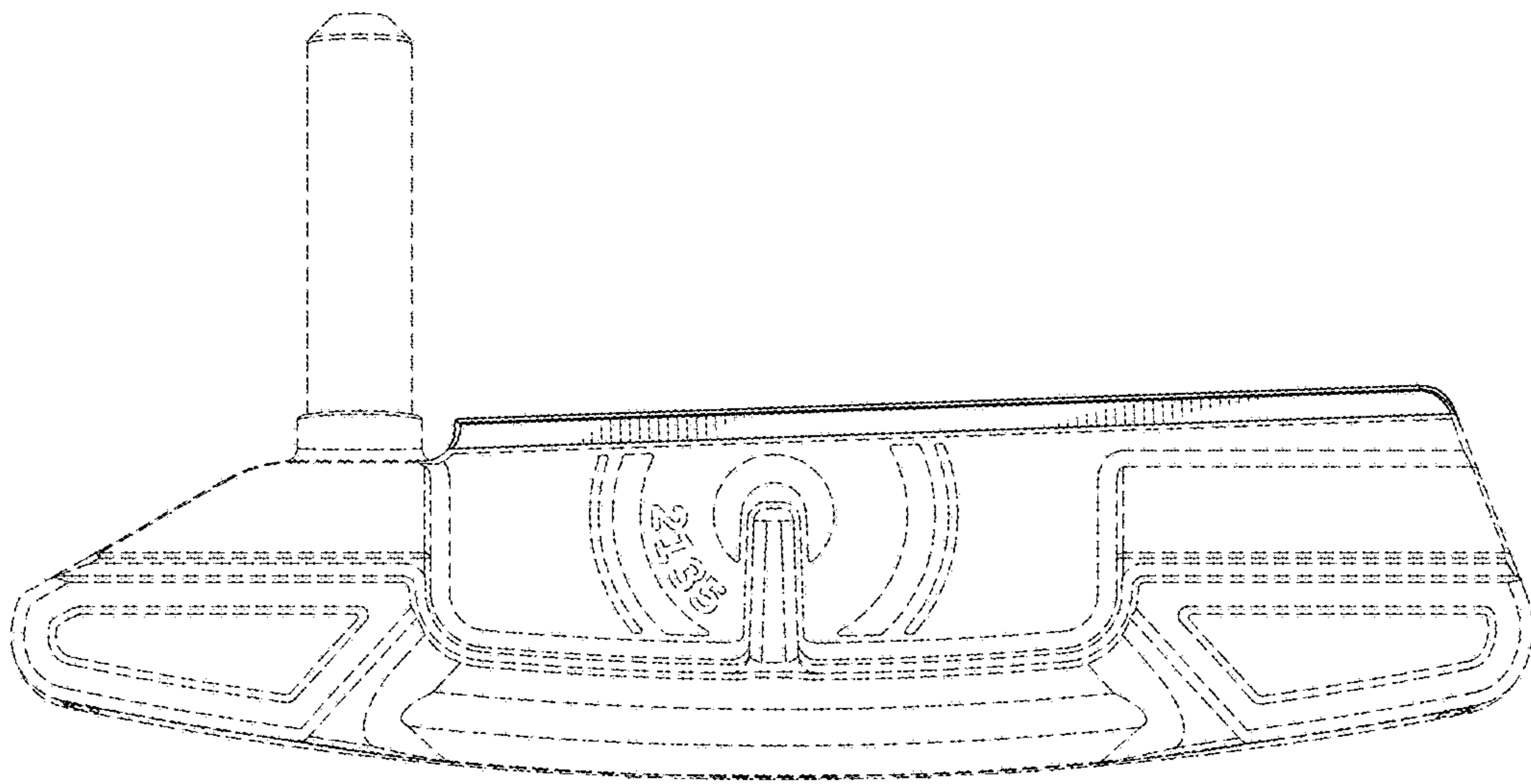


FIG. 6

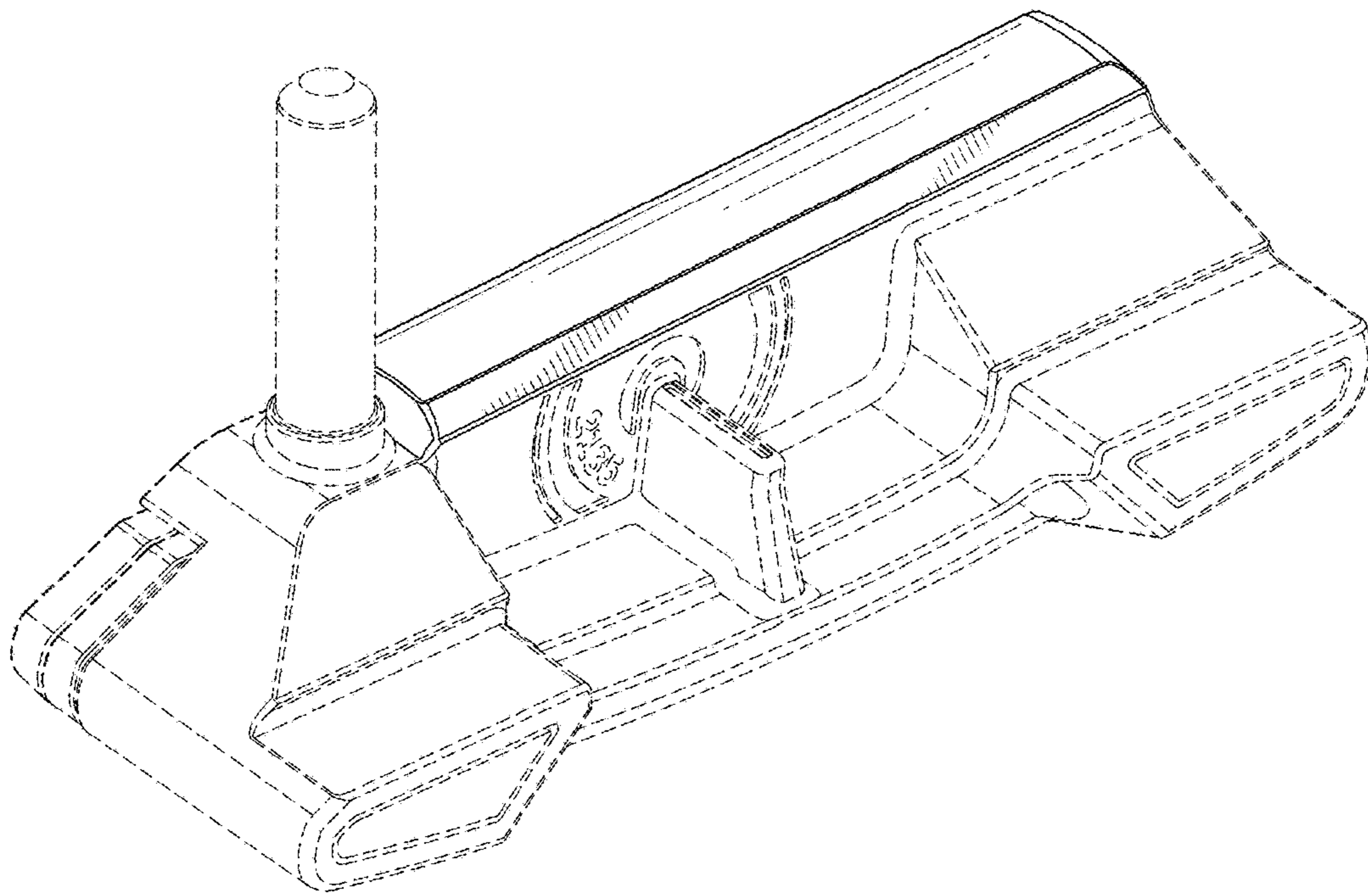


FIG. 7