



US00D821515S

(12) **United States Design Patent**  
**Dolezel et al.**

(10) **Patent No.:** **US D821,515 S**  
(45) **Date of Patent:** **\*\* Jun. 26, 2018**

(54) **GOLF CLUB HEAD**

(71) Applicant: **DUNLOP SPORTS CO. LTD.**,  
Kobe-shi, Hyogo (JP)

(72) Inventors: **Keith F. Dolezel**, Covina, CA (US);  
**Mika Becktor**, New York, NY (US)

(73) Assignee: **DUNLOP SPORTS CO. LTD.**, Kobe  
(JP)

(\*\*) Term: **15 Years**

(21) Appl. No.: **29/606,975**

(22) Filed: **Jun. 9, 2017**

(51) **LOC (11) Cl.** ..... **21-02**

(52) **U.S. Cl.**  
USPC ..... **D21/759**

(58) **Field of Classification Search**  
USPC ..... D21/736–746, 759; D8/315; D6/675.5,  
D6/676.5, 677.5, 678.4, 380.3, 512, 522,  
D6/523, 546, 549  
CPC ..... A63B 53/00; A63B 53/04; A63B 53/007;  
A63B 53/065; A63B 53/0487; A63B  
60/00; A63B 60/46  
See application file for complete search history.

(56) **References Cited**

**U.S. PATENT DOCUMENTS**

D521,088 S \* 5/2006 Mercier ..... D21/736  
D541,362 S \* 4/2007 Oldknow ..... D21/759

D550,795 S \* 9/2007 Tateno ..... D21/744  
D560,736 S \* 1/2008 Tateno ..... D21/744  
D593,171 S \* 5/2009 Stellander ..... D21/736  
D632,747 S \* 2/2011 Jeffres ..... D21/742  
D699,308 S \* 2/2014 Rollinson ..... D21/736  
D726,270 S \* 4/2015 Rollinson ..... D21/759  
D765,807 S \* 9/2016 Engel ..... D21/759  
D799,621 S \* 10/2017 Engel ..... D21/759

\* cited by examiner

*Primary Examiner* — Mitchell I. Siegel

(74) *Attorney, Agent, or Firm* — Oliff PLC

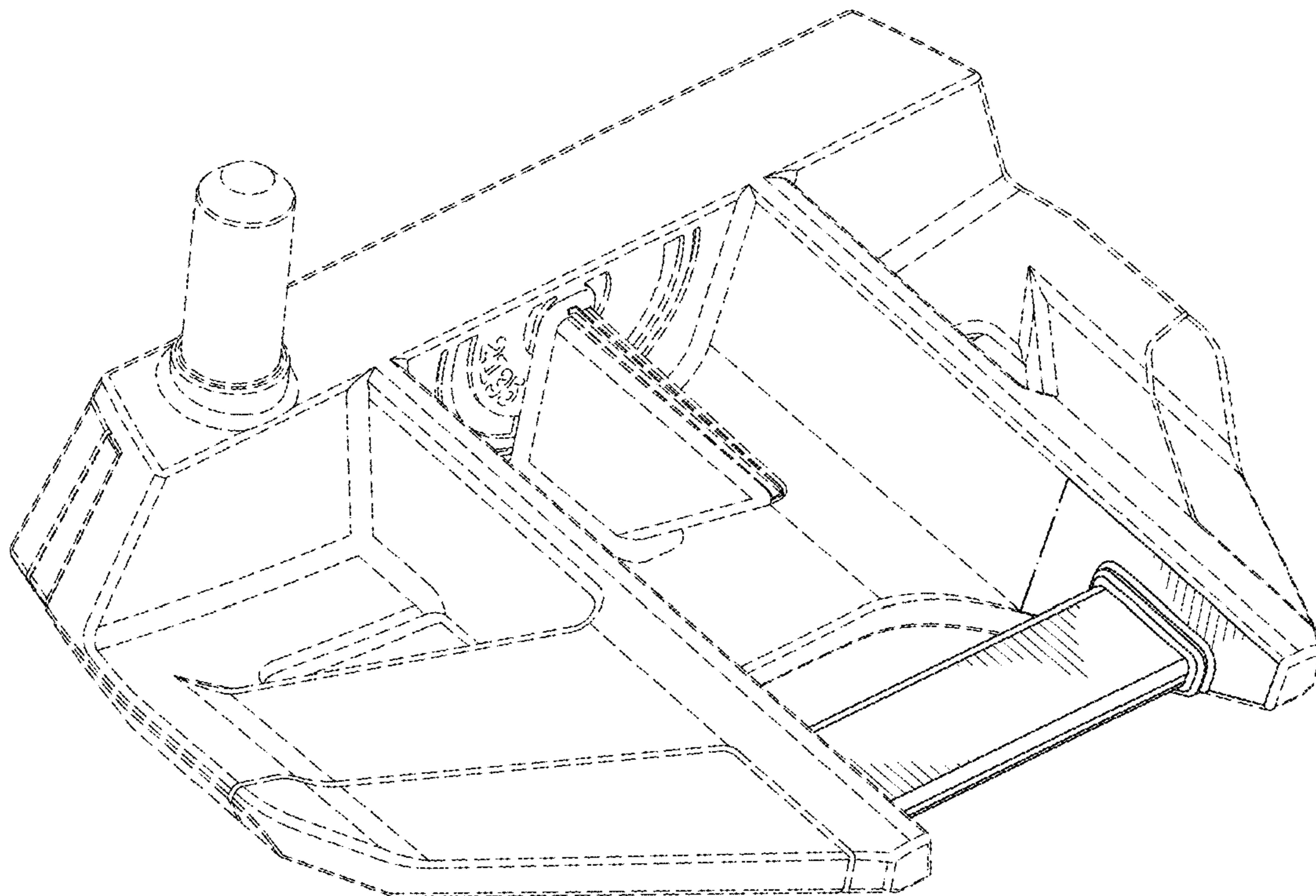
(57) **CLAIM**

The ornamental design for a golf club head, as shown and described.

**DESCRIPTION**

FIG. 1 is a top, heel-side, rear perspective view of the golf club head;  
FIG. 2 is a top plan view thereof;  
FIG. 3 is a rear elevational view thereof;  
FIG. 4 is a bottom plan view thereof; and,  
FIG. 5 is a top, heel-side, front perspective view thereof.  
The broken lines depict unclaimed parts of the golf club head, and thus form no part of the claimed design.

**1 Claim, 4 Drawing Sheets**



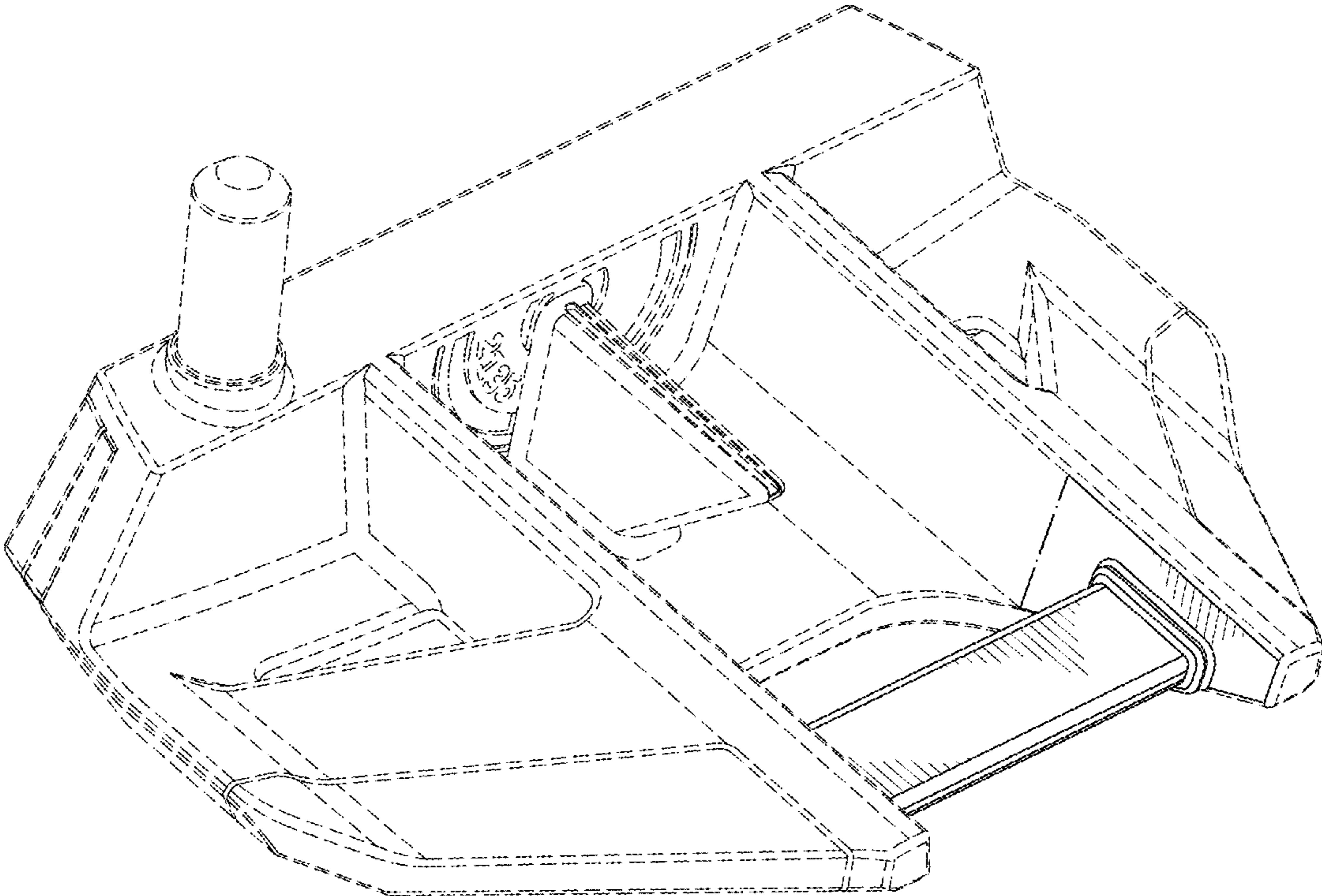


FIG. 1

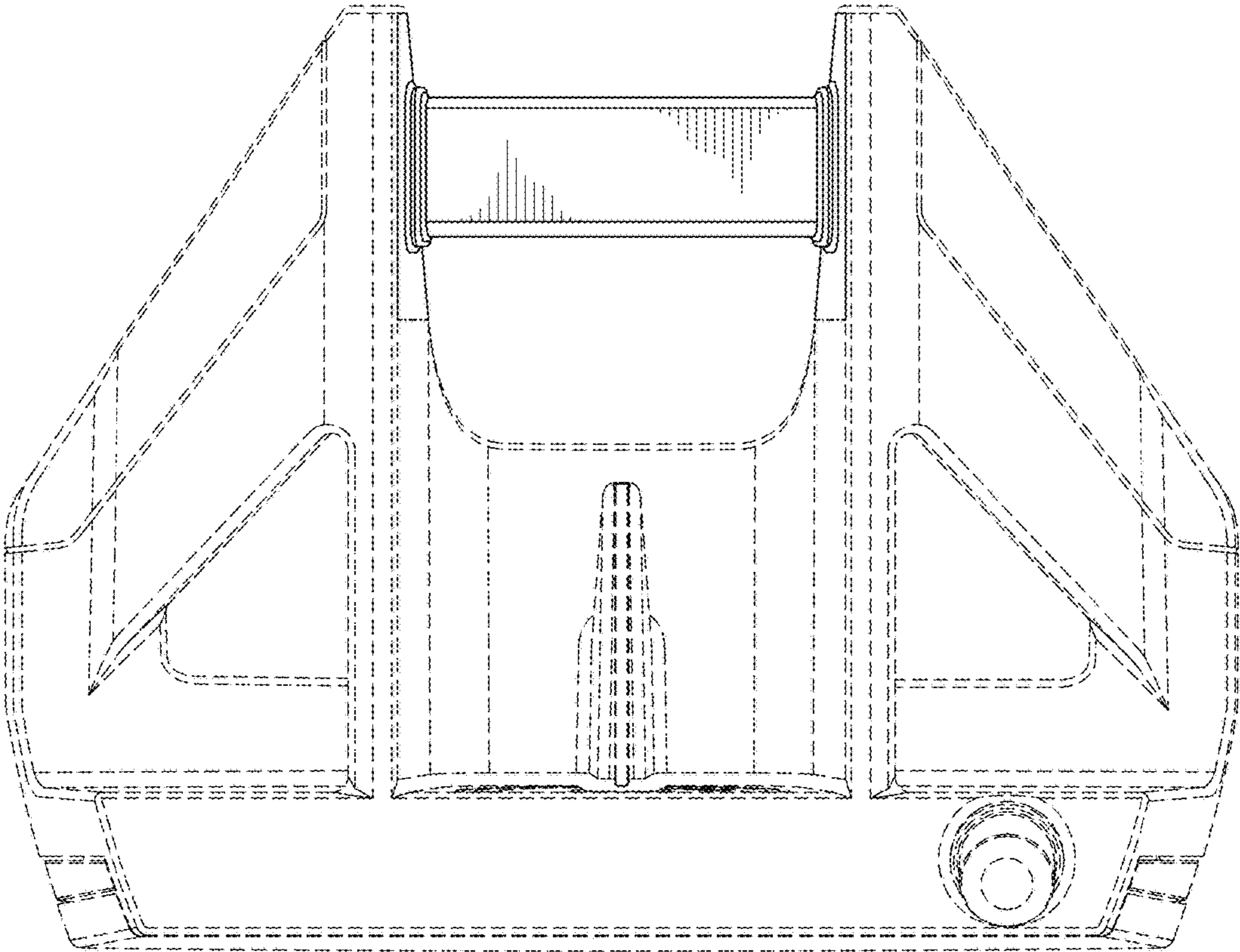


FIG. 2

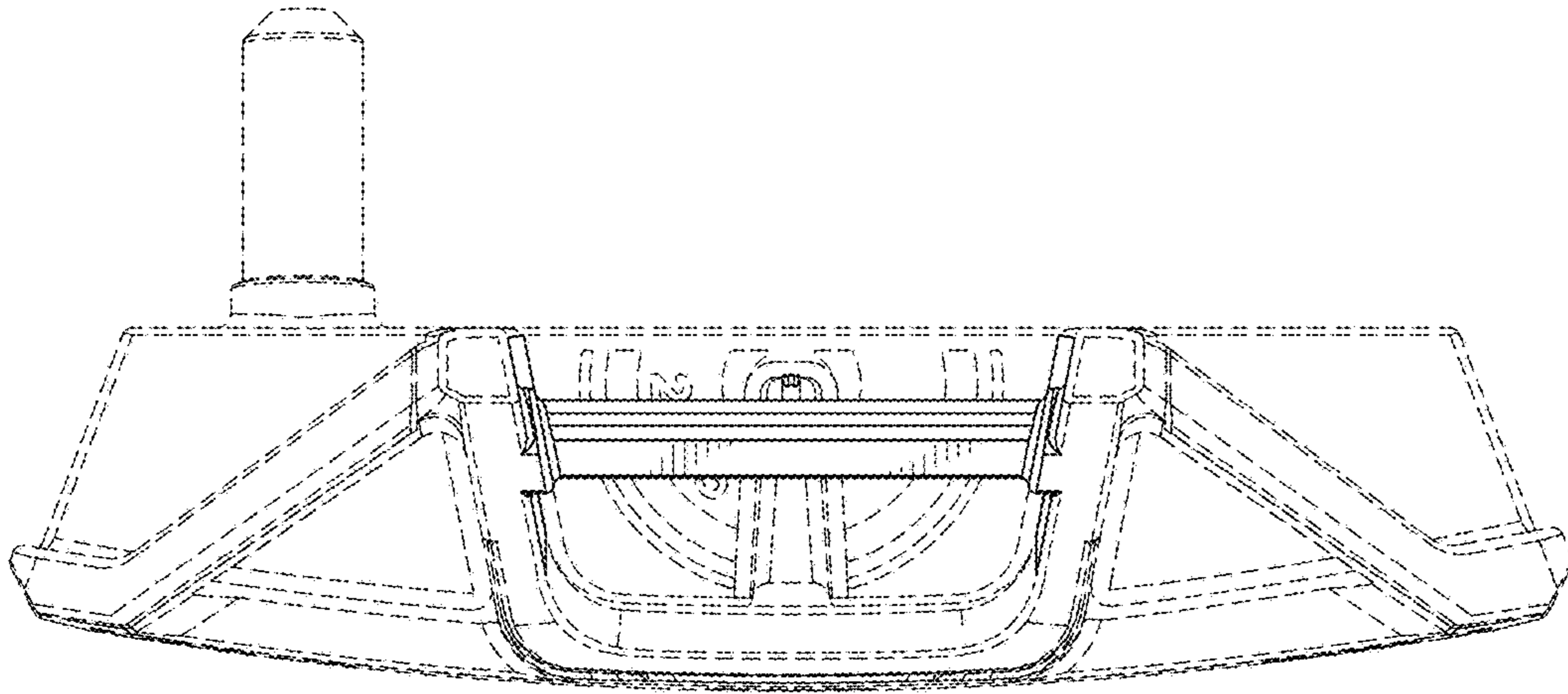


FIG. 3

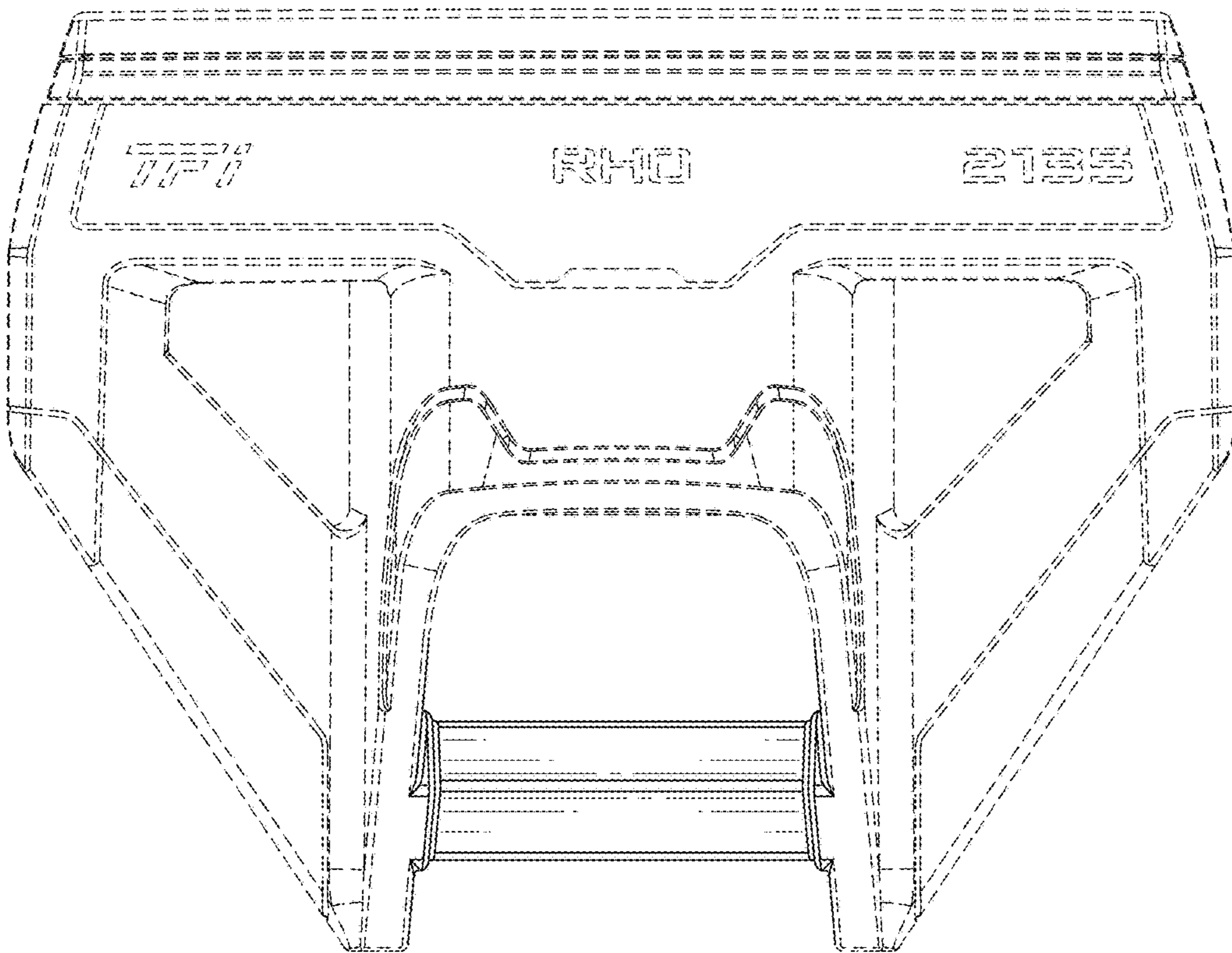


FIG. 4

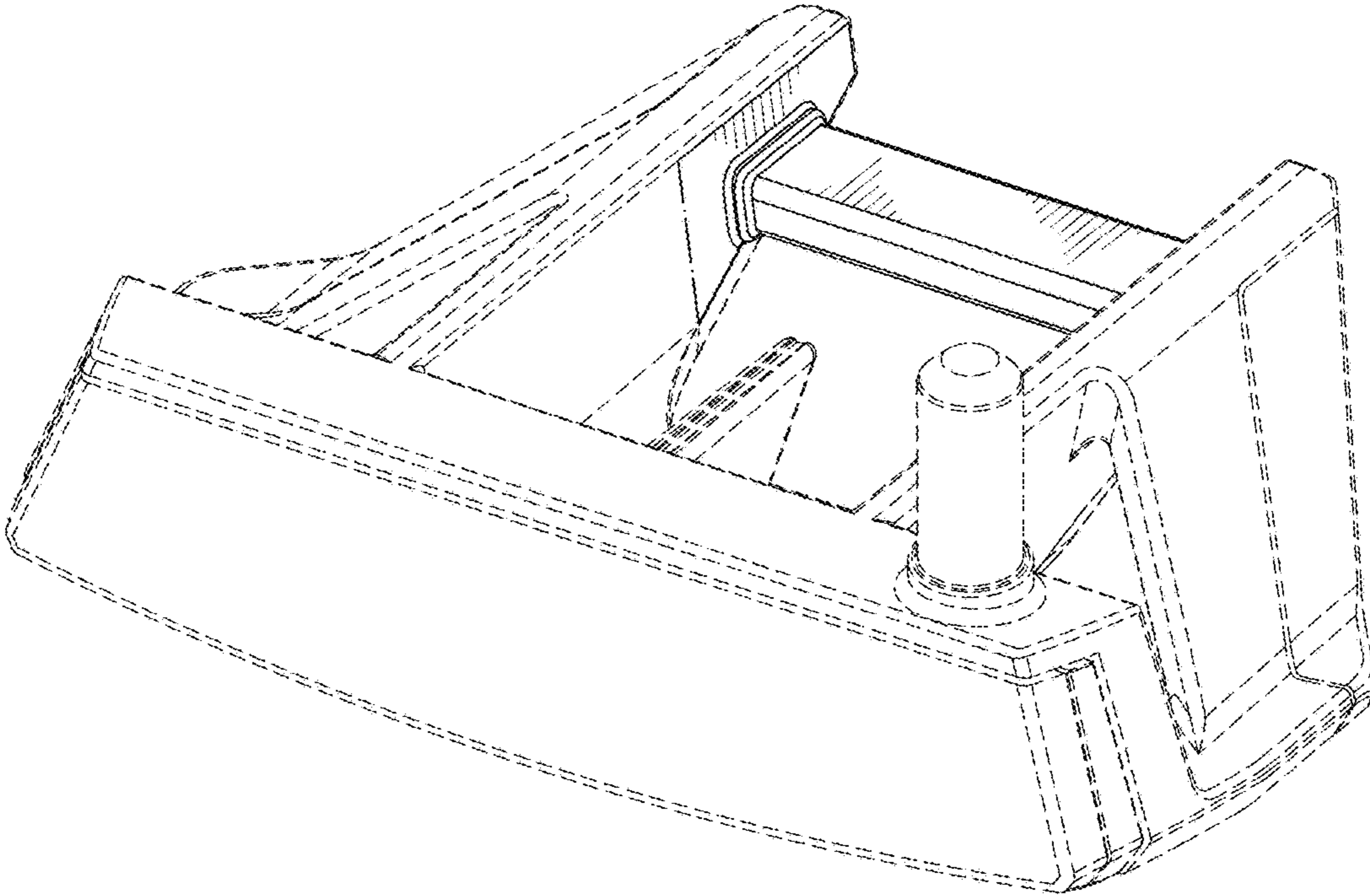


FIG. 5