



US00D821509S

(12) **United States Design Patent**
Ness et al.

(10) **Patent No.:** **US D821,509 S**
(45) **Date of Patent:** **** Jun. 26, 2018**

- (54) **JUMP ROPE WITH HANDLES**
- (71) Applicant: **The Prophet Corporation**, Owatonna, MN (US)
- (72) Inventors: **Jason J. Ness**, Victoria, MN (US);
Caleb Summers, St. Louis Park, MN (US)
- (73) Assignee: **The Prophet Corporation**, Owatonna, MN (US)
- (**) Term: **15 Years**
- (21) Appl. No.: **29/547,133**
- (22) Filed: **Dec. 1, 2015**
- (51) **LOC (11) Cl.** **21-02**
- (52) **U.S. Cl.**
USPC **D21/672**
- (58) **Field of Classification Search**
USPC D21/423, 662, 672, 684, 692, 694;
482/82
CPC A63B 5/20; A63B 5/205; A63B 21/00;
A63B 22/00; A63B 23/00; A63B 24/00;
A63B 21/06
See application file for complete search history.

- 1,629,209 A * 5/1927 Fairbanks A63B 5/20
482/82
- 3,140,871 A * 7/1964 Liquori A63B 5/22
446/26
- 3,475,023 A * 10/1969 Fauvelle A63B 5/20
446/116

(Continued)

OTHER PUBLICATIONS

Gopher Sport, [online], [site visited Dec. 19, 2016]. Available from Internet, <URL: <http://www.gophersport.com/fitness/introductory-jump-ropes/retract-a-rope-adjustable-jump-rope>>.*

Primary Examiner — Caron D Veynar

Assistant Examiner — Mehri F Bajoul

(74) *Attorney, Agent, or Firm* — Merchant & Gould P.C.

(57) **CLAIM**

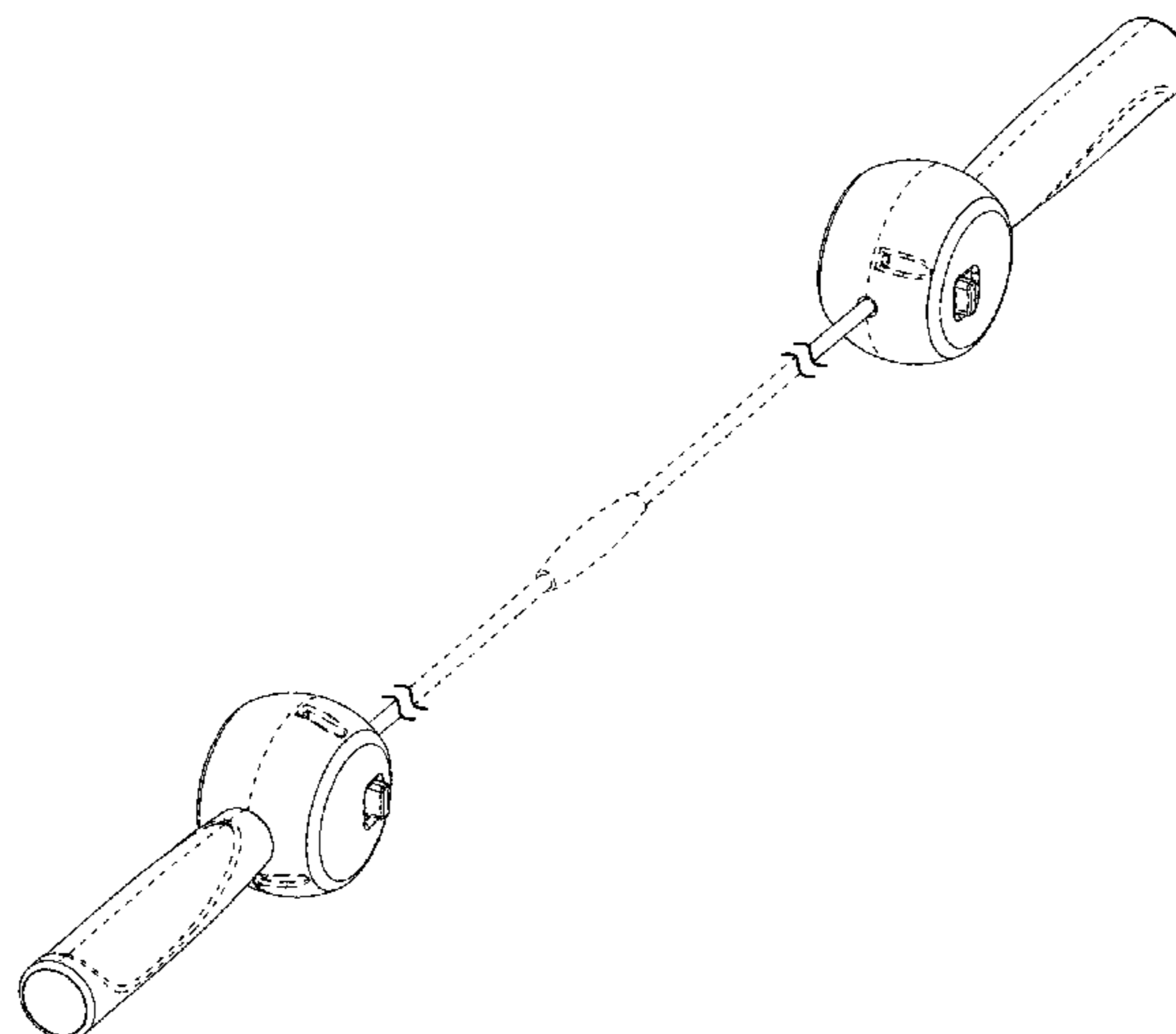
The ornamental design for a jump rope with handles, as shown and described.

DESCRIPTION

FIG. 1 is a perspective view of a jump rope with handles;
 FIG. 2 is a left side view of the jump rope with handles of FIG. 1;
 FIG. 3 is an opposite right side view of the jump rope with handles of FIG. 1;
 FIG. 4 is a top plan view of the jump rope with handles of FIG. 1;
 FIG. 5 is a bottom plan view of the jump rope with handles of FIG. 1;
 FIG. 6 is a first end view of the jump rope with handles of FIG. 1; and,
 FIG. 7 is an opposite second end view of the jump rope with handles of FIG. 1.

All the broken lines on the jump rope with handles form no part of the claimed design and the broken away symbols in the drawings indicate the appearance of any portion of the article between the break lines forms no part of the claimed design.

1 Claim, 4 Drawing Sheets



US D821,509 S

Page 2

(56)

References Cited

U.S. PATENT DOCUMENTS

4,179,119	A *	12/1979	Wolf	A63B 5/20	482/82
4,293,125	A *	10/1981	Hinds	A63B 5/20	273/DIG. 1
D263,326	S *	3/1982	Cooper	D21/672	
4,776,585	A *	10/1988	Maleyko	A63B 5/20	200/11 G
5,138,535	A *	8/1992	Aragon, Jr.	A63H 33/30	362/102
5,190,508	A	3/1993	Kliewer et al.			
D339,180	S *	9/1993	Taylor	D17/99	
5,377,626	A	1/1995	Kilsby et al.			
5,697,871	A	12/1997	Landfair			
D402,717	S *	12/1998	Stark	D21/672	
D407,450	S *	3/1999	Janet	D21/672	
5,961,425	A	10/1999	Reid et al.			
D452,891	S *	1/2002	Barr	D21/662	
7,037,243	B1 *	5/2006	Clancy	A63B 5/20	482/81
7,361,074	B1 *	4/2008	Periman	A63H 5/00	362/192
7,967,737	B2	6/2011	Watson			
D691,219	S *	10/2013	Kessler	D21/672	
8,911,333	B2 *	12/2014	Hunt	A63B 5/20	482/81
D728,711	S *	5/2015	Taylor	D21/694	
9,056,216	B1 *	6/2015	Bouza	A63B 5/20	
9,254,401	B2 *	2/2016	Rogers	A63B 5/20	
2004/0218383	A1 *	11/2004	Bailey, III	A63B 5/20	362/169
2006/0052221	A1 *	3/2006	Cohen	A63B 5/20	482/82
2010/0160116	A1 *	6/2010	LaTour	A63B 5/20	482/8
2011/0306474	A1 *	12/2011	Gamboa	A63B 5/20	482/81
2017/0151457	A1	6/2017	Harguth			

* cited by examiner

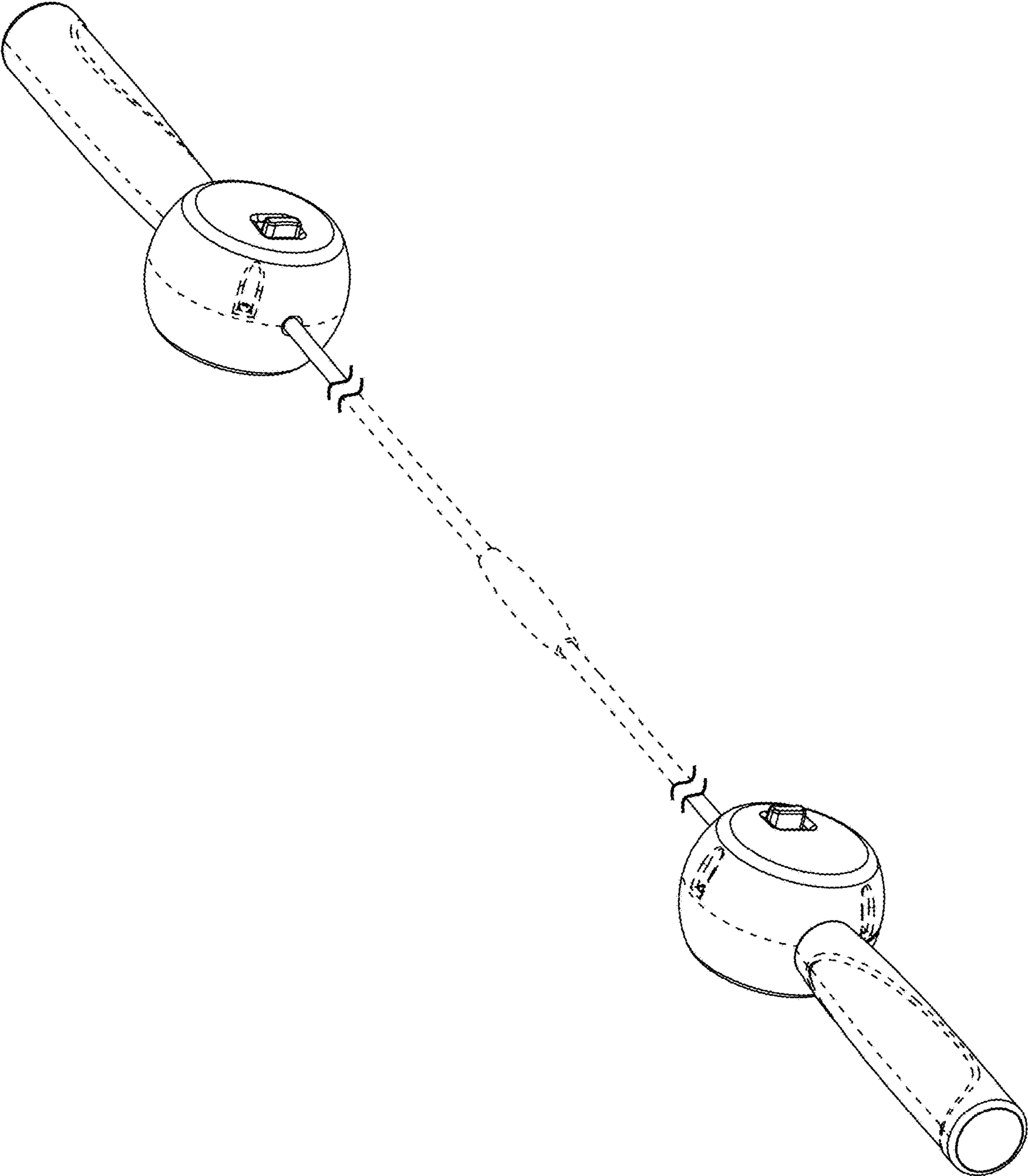


FIG. 1

FIG. 2

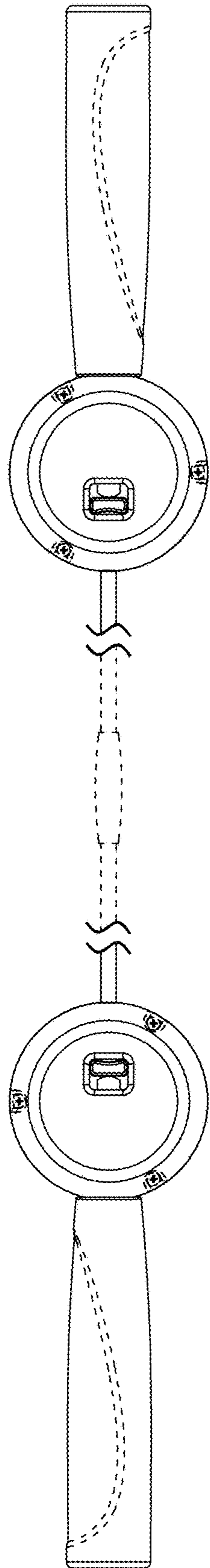


FIG. 3

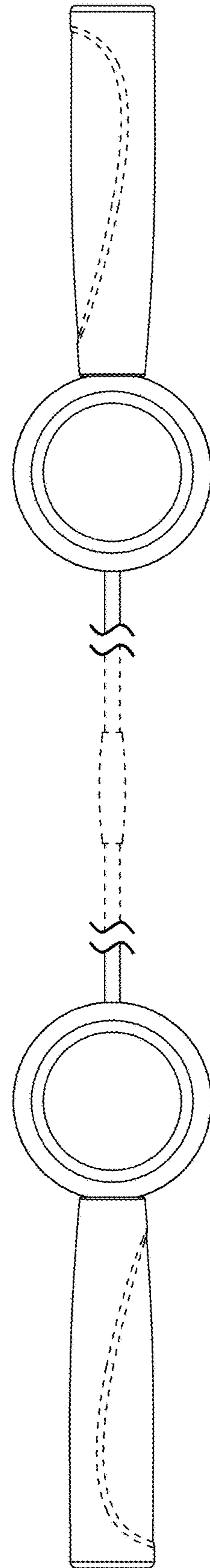


FIG. 4

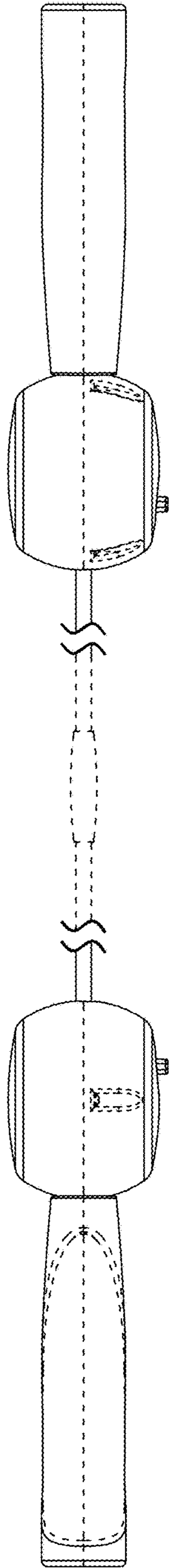
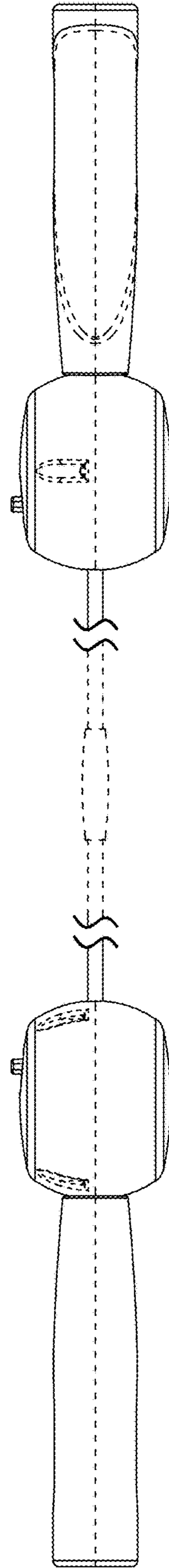


FIG. 5



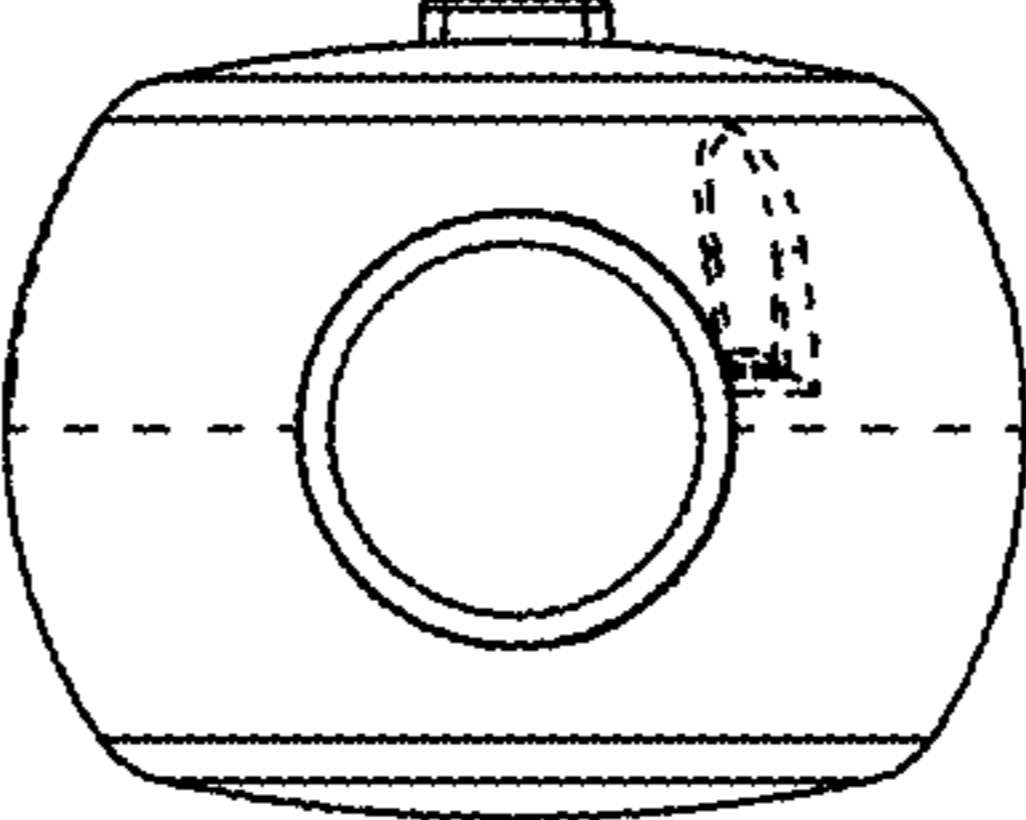


FIG. 7

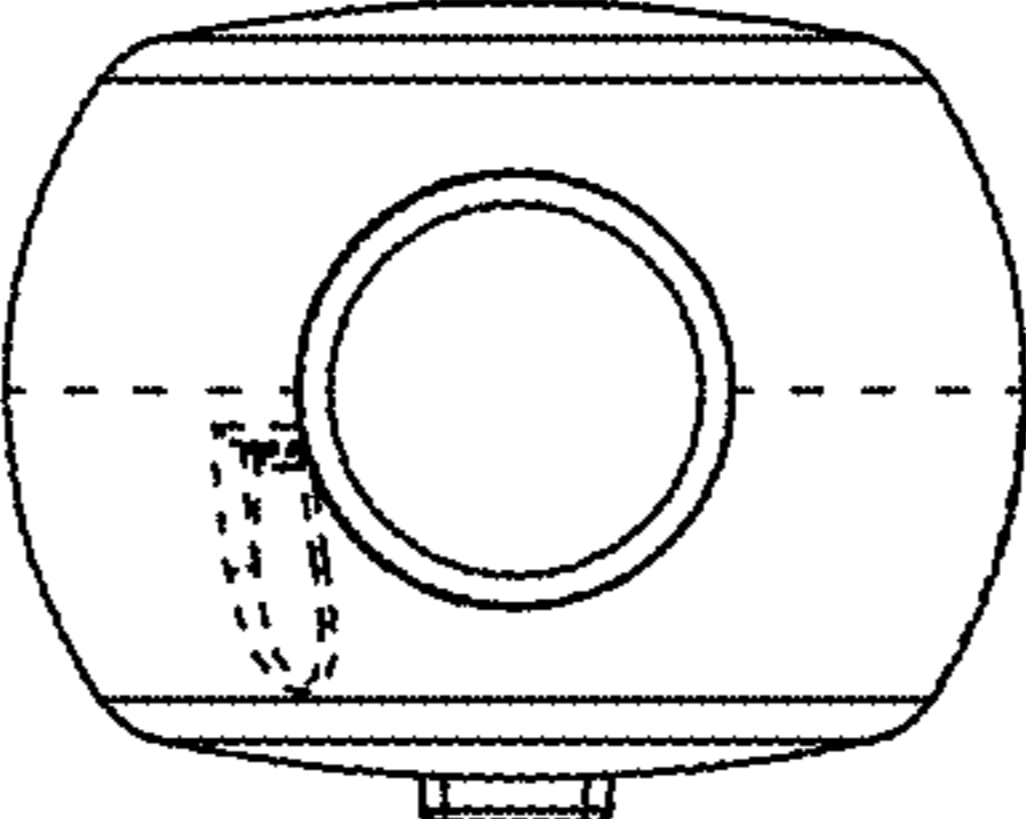


FIG. 6