



US00D821504S

(12) **United States Design Patent**  
**Bilezikian et al.**

(10) **Patent No.:** **US D821,504 S**  
(45) **Date of Patent:** **\*\* Jun. 26, 2018**

(54) **SET OF BUILDING BLOCKS**

(71) Applicant: **Guidecraft, Inc.**, Tuxedo, NY (US)

(72) Inventors: **Gary L. Bilezikian**, Warwick, NY (US); **Shannon Moore**, Monroe, NY (US)

(73) Assignee: **Guidecraft, Inc.**, Tuxedo, NY (US)

(\*\*) Term: **15 Years**

(21) Appl. No.: **29/597,138**

(22) Filed: **Mar. 14, 2017**

(51) **LOC (11) Cl.** ..... **21-01**

(52) **U.S. Cl.**  
USPC ..... **D21/503**

(58) **Field of Classification Search**  
USPC ..... D21/333, 373, 386, 389, 404, 468, 470,  
D21/471, 475, 484-505

(Continued)

(56) **References Cited**

U.S. PATENT DOCUMENTS

144,124 A \* 10/1873 Oberndorf, Jr. .... A63H 33/105  
446/122  
D258,830 S \* 4/1981 Sigg ..... D21/497  
(Continued)

*Primary Examiner* — Cynthia M Chin

(74) *Attorney, Agent, or Firm* — Richard W. James

(57) **CLAIM**

The ornamental design for a set of building blocks, as shown and described.

**DESCRIPTION**

FIG. 1 is a perspective view of the set of building blocks of the design;

FIG. 2 is an enlarged-scale perspective view of a first block of the set of building blocks in accordance with the design;

FIG. 3 is an enlarged-scale top plan view of the first block, the bottom elevational view being identical;

FIG. 4 is an enlarged-scale right side elevational view of the first block, the left side elevational view being a mirror image thereof;

FIG. 5 is an enlarged-scale front elevational view of the first block;

FIG. 6 is an enlarged-scale rear elevational view of the first block;

FIG. 7 is a perspective view of a second block of the set of building blocks in accordance with the design;

FIG. 8 is an enlarged-scale top plan view of the second block;

FIG. 9 is an enlarged-scale bottom plan view of the second block;

FIG. 10 is an enlarged-scale right side elevational view of the second block;

FIG. 11 is an enlarged-scale left side elevational view of the second block;

FIG. 12 is an enlarged-scale front elevational view of the second block;

FIG. 13 is an enlarged-scale rear elevational view of the second block;

FIG. 14 is an enlarged-scale perspective view of a third block of the set of building blocks in accordance with the design;

FIG. 15 is a right side elevational view of the third block, the left side elevational view being identical;

FIG. 16 is a reduced-scale top plan view of the third block;

FIG. 17 is a reduced-scale bottom plan view of the third block;

FIG. 18 is an enlarged-scale front elevational view of the third block, the rear elevational view being identical;

FIG. 19 is an enlarged-scale perspective view of a fourth block of the set of building blocks in accordance with the design;

FIG. 20 is an enlarged-scale right side elevational view of the fourth block, the left side elevational view being a mirror image thereof;

FIG. 21 is an enlarged-scale top plan view of the fourth block;

FIG. 22 is an enlarged-scale bottom plan view of the fourth block;

(Continued)

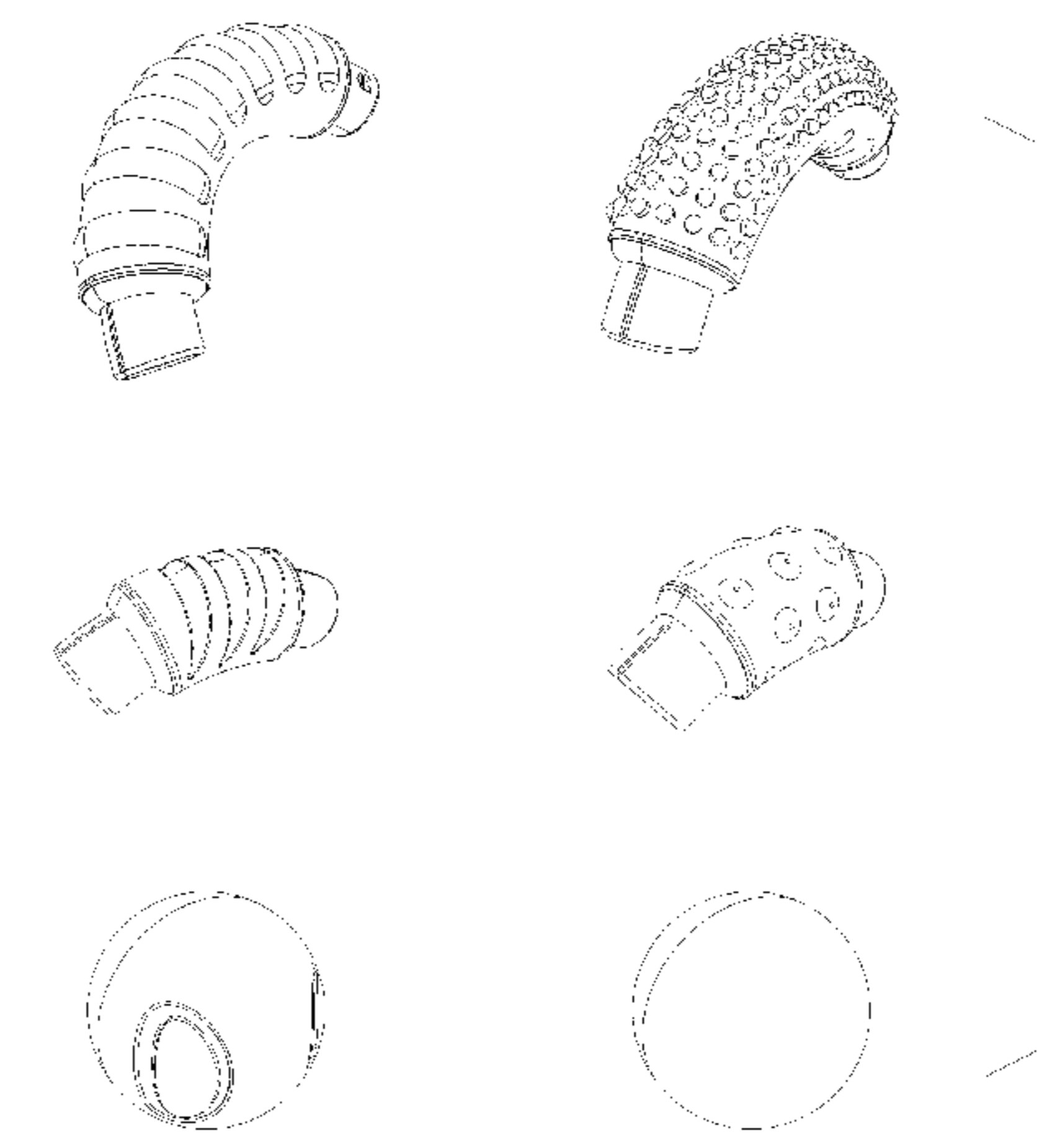


FIG. 23 is an enlarged-scale front elevational view of the fourth block, the rear elevational view being identical;  
 FIG. 24 is an enlarged-scale perspective view of a fifth block of the set of building blocks in accordance with the design;  
 FIG. 25 is an enlarged-scale right side elevational view of the fifth block, the left side elevational view being a mirror image thereof;  
 FIG. 26 is an enlarged-scale top plan view of the fifth block;  
 FIG. 27 is an enlarged-scale bottom plan view of the fifth block;  
 FIG. 28 is an enlarged-scale front elevational view of the fifth block, the rear elevational view being identical;  
 FIG. 29 is an enlarged-scale perspective view of a sixth block of the set of building blocks in accordance with the design;  
 FIG. 30 is an enlarged-scale top plan view of the sixth block, the bottom elevational view being identical;  
 FIG. 31 is an enlarged-scale right side elevational view of the sixth block, the left side elevational view being a mirror image thereof; and,  
 FIG. 32 is an enlarged-scale front elevational view of the sixth block, the rear elevational view being identical.  
 FIGS. 2-32 are shown separately for ease and clarity of illustration. The portions of the drawings shown in broken lines form no part of the claimed design.

**1 Claim, 8 Drawing Sheets**

(58) **Field of Classification Search**

CPC ..... A63H 33/00; A63H 33/04; A63H 33/06;

A63H 33/062; A63H 33/08; A63H 33/082; A63H 33/084; A63H 33/086; A63H 33/088; A63H 33/108; A63H 33/12; A63H 3/16; A63H 3/46; A63F 9/12; A63F 9/1224

See application file for complete search history.

(56)

**References Cited**

U.S. PATENT DOCUMENTS

|              |      |         |                   |                         |
|--------------|------|---------|-------------------|-------------------------|
| 5,110,315    | A *  | 5/1992  | Zawitz .....      | A47B 65/00<br>446/102   |
| D334,416     | S *  | 3/1993  | Zawitz .....      | D21/487                 |
| 6,086,445    | A *  | 7/2000  | Zawitz .....      | B43K 5/005<br>242/588.1 |
| 7,371,147    | B2 * | 5/2008  | Tusacciu .....    | A63H 33/046<br>446/122  |
| 7,374,468    | B2 * | 5/2008  | Flodin .....      | A63H 17/002<br>446/102  |
| D594,512     | S *  | 6/2009  | Richards .....    | D21/484                 |
| 7,601,045    | B2 * | 10/2009 | Zawitz .....      | A63H 33/00<br>446/102   |
| 8,864,546    | B1 * | 10/2014 | Capriola .....    | A63H 33/042<br>331/3    |
| D749,175     | S *  | 2/2016  | Vaughey .....     | D21/484                 |
| 9,393,501    | B2 * | 7/2016  | Sze .....         | A63H 33/062             |
| 2006/0014468 | A1 * | 1/2006  | Zawitz .....      | A61N 1/18<br>446/166    |
| 2012/0272921 | A1 * | 11/2012 | Santarsiero ..... | A01K 15/025<br>119/707  |
| 2015/0202542 | A1 * | 7/2015  | Sze .....         | A63H 33/062<br>446/90   |

\* cited by examiner

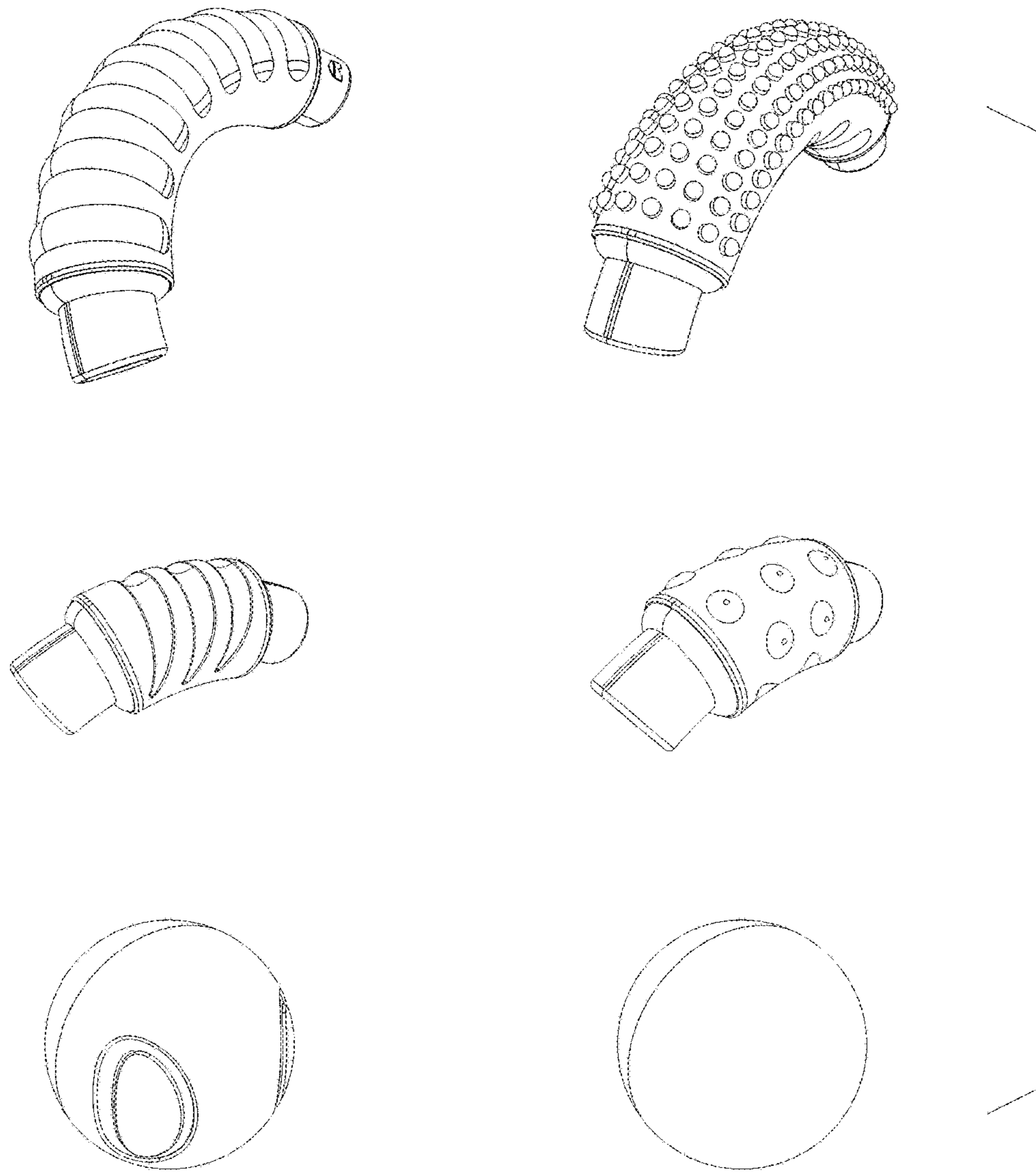


FIG. 1

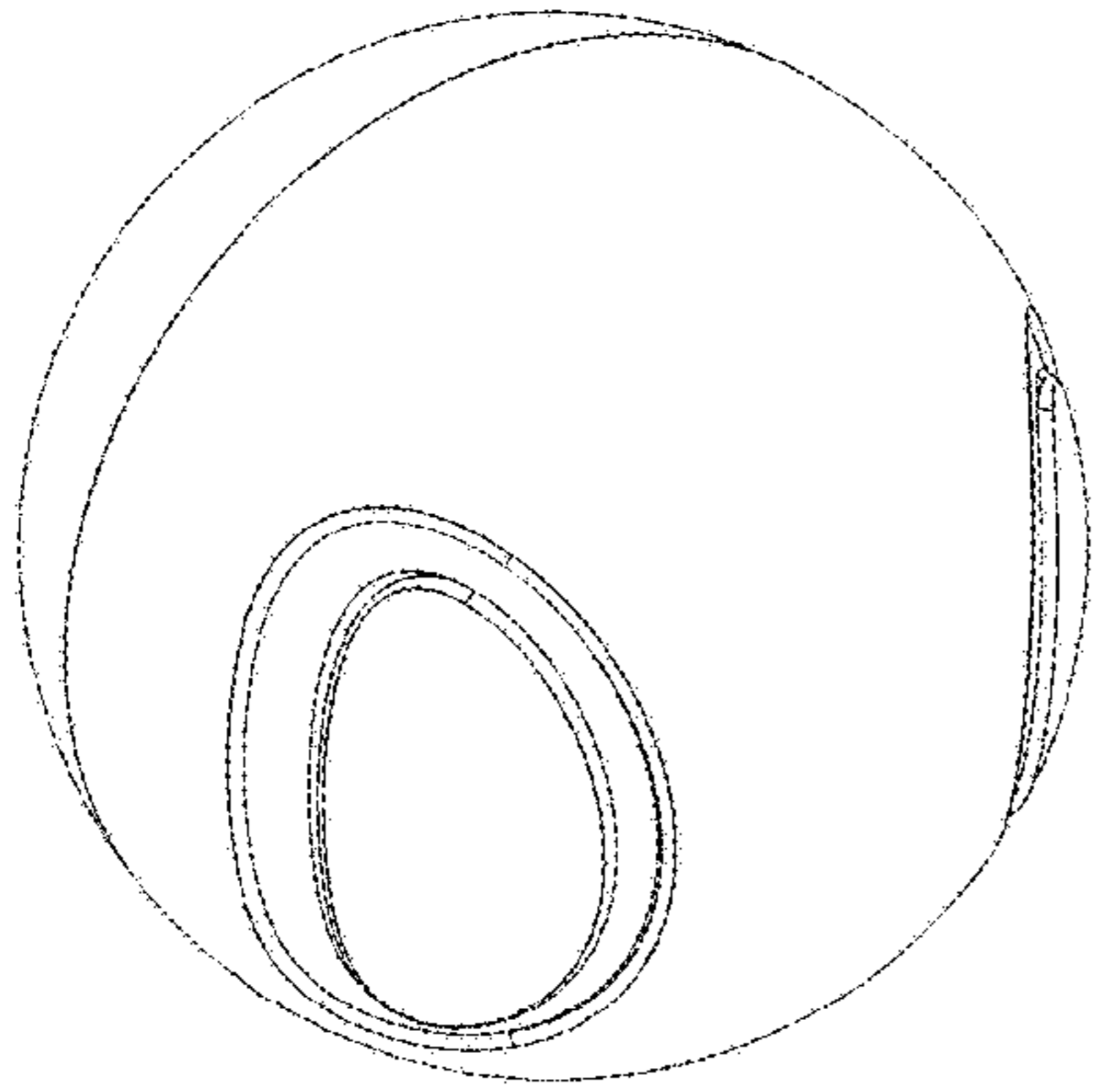


FIG. 2

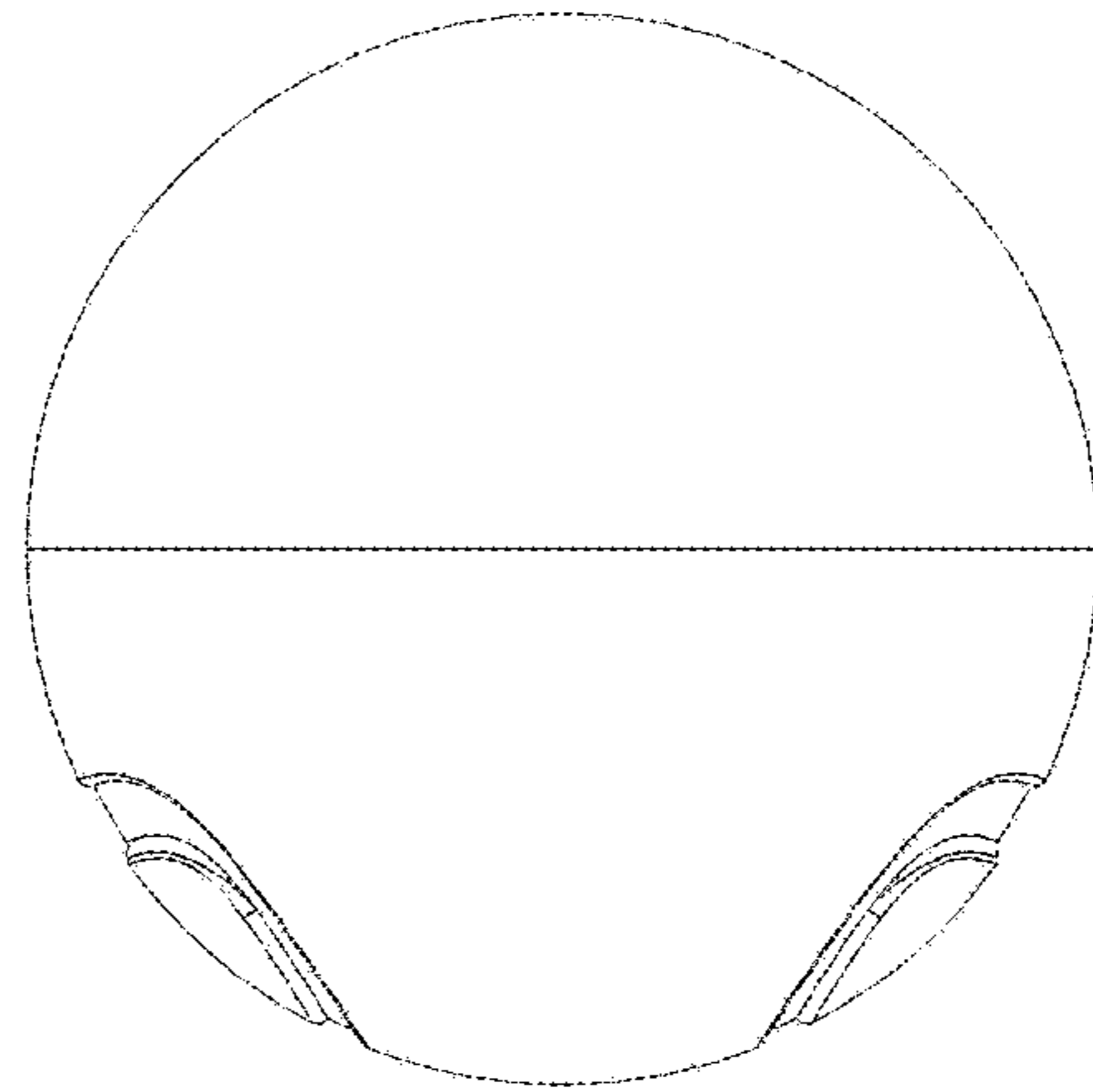


FIG. 3

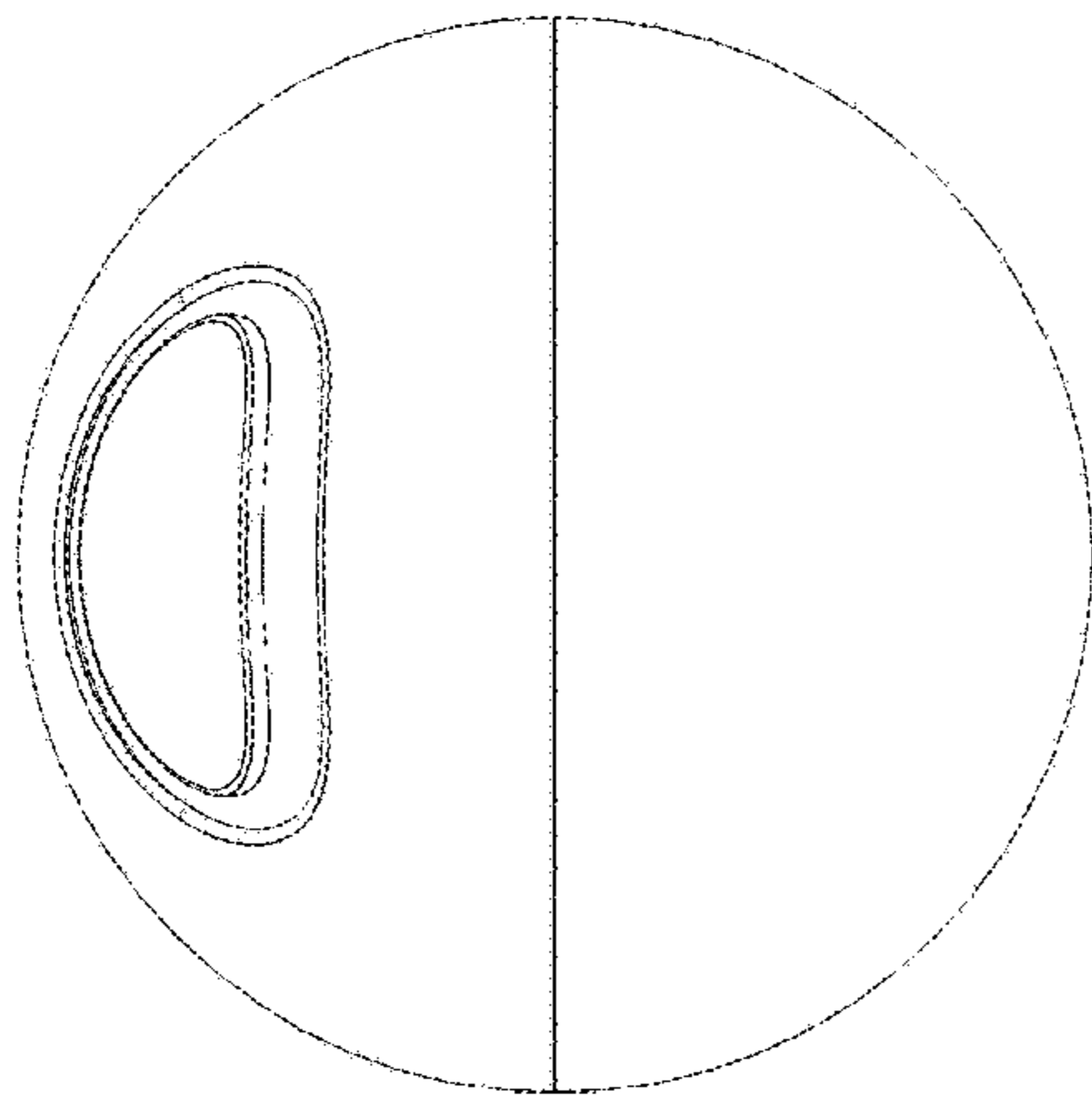


FIG. 4

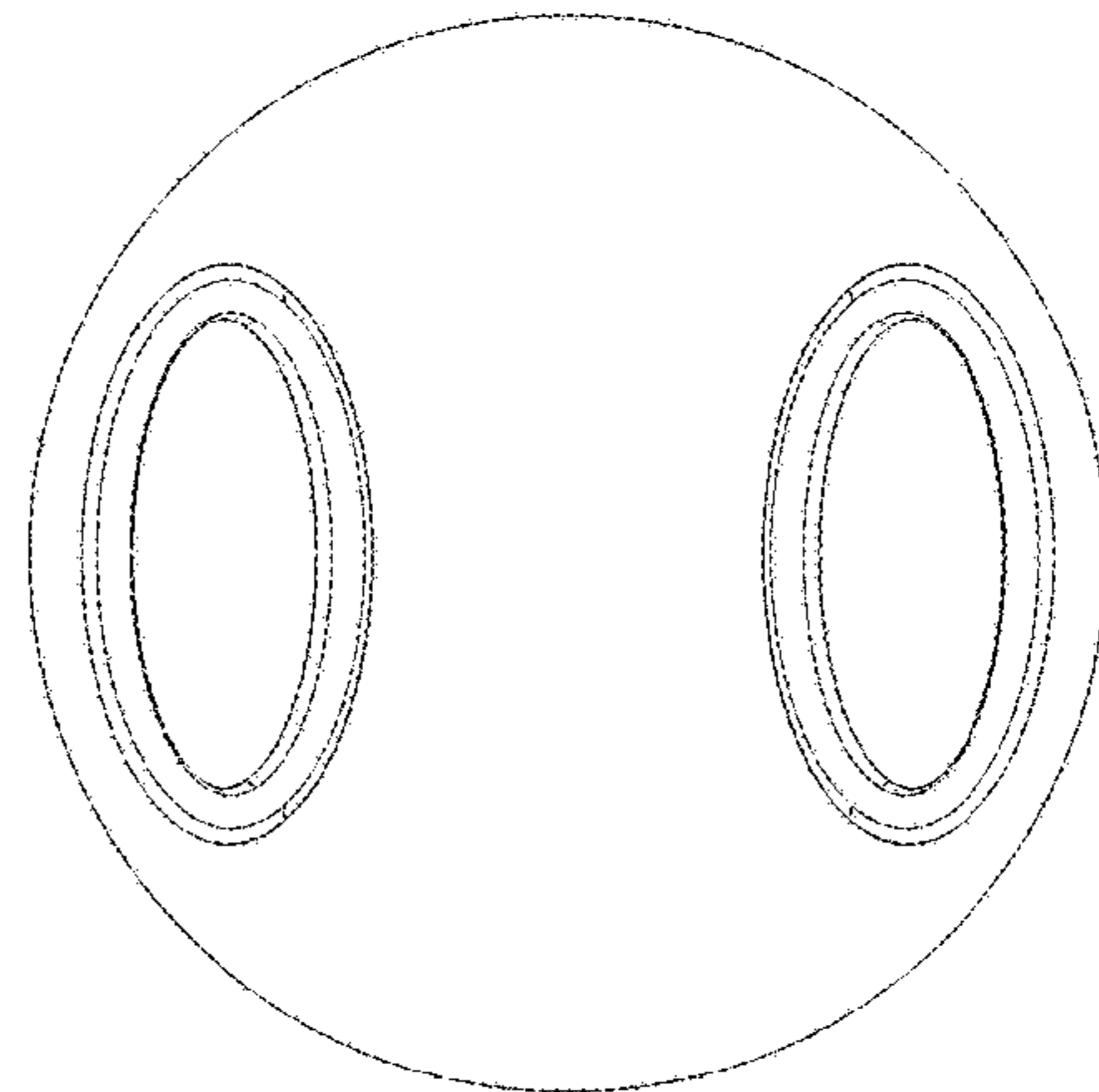


FIG. 5

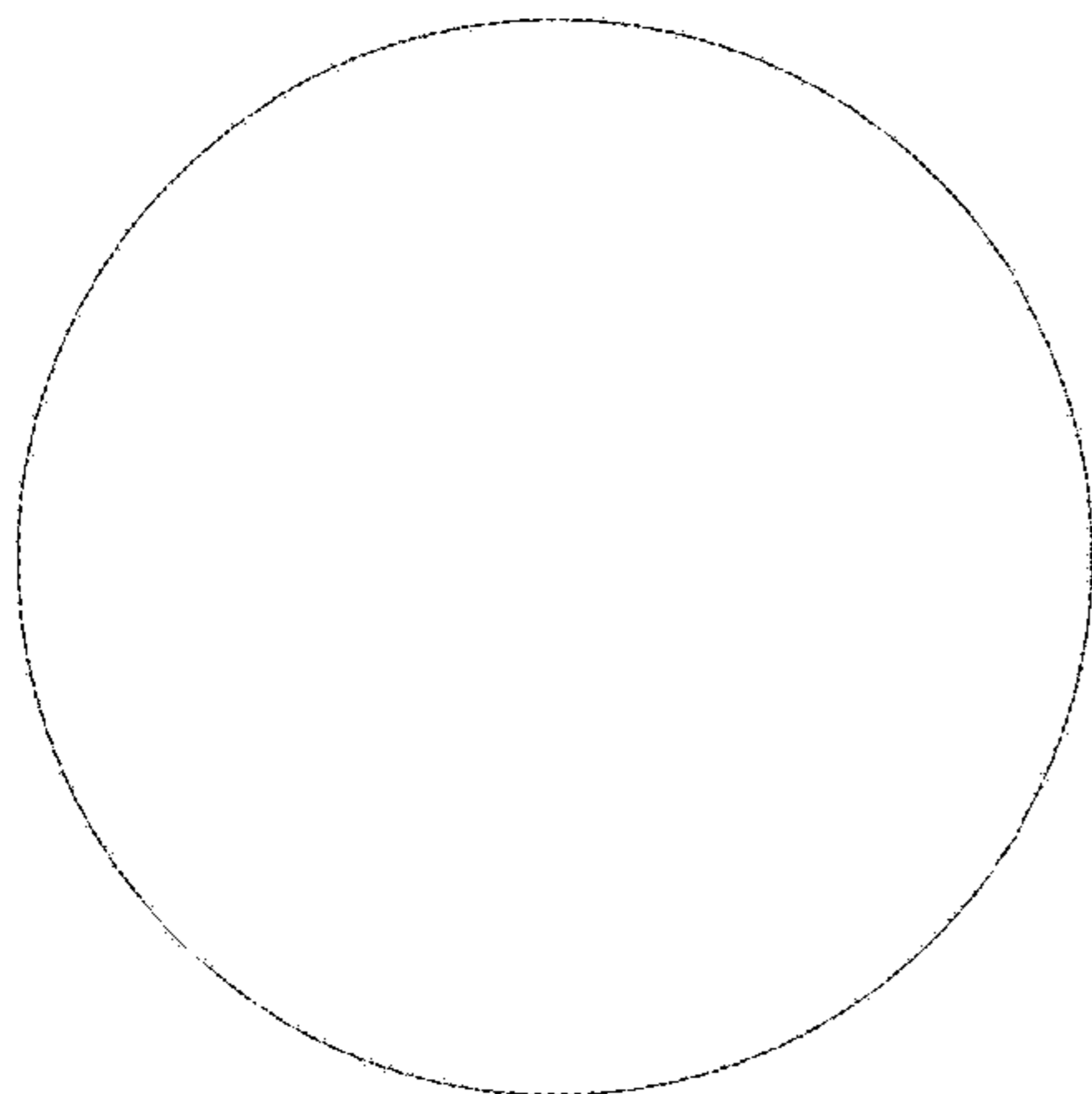


FIG. 6

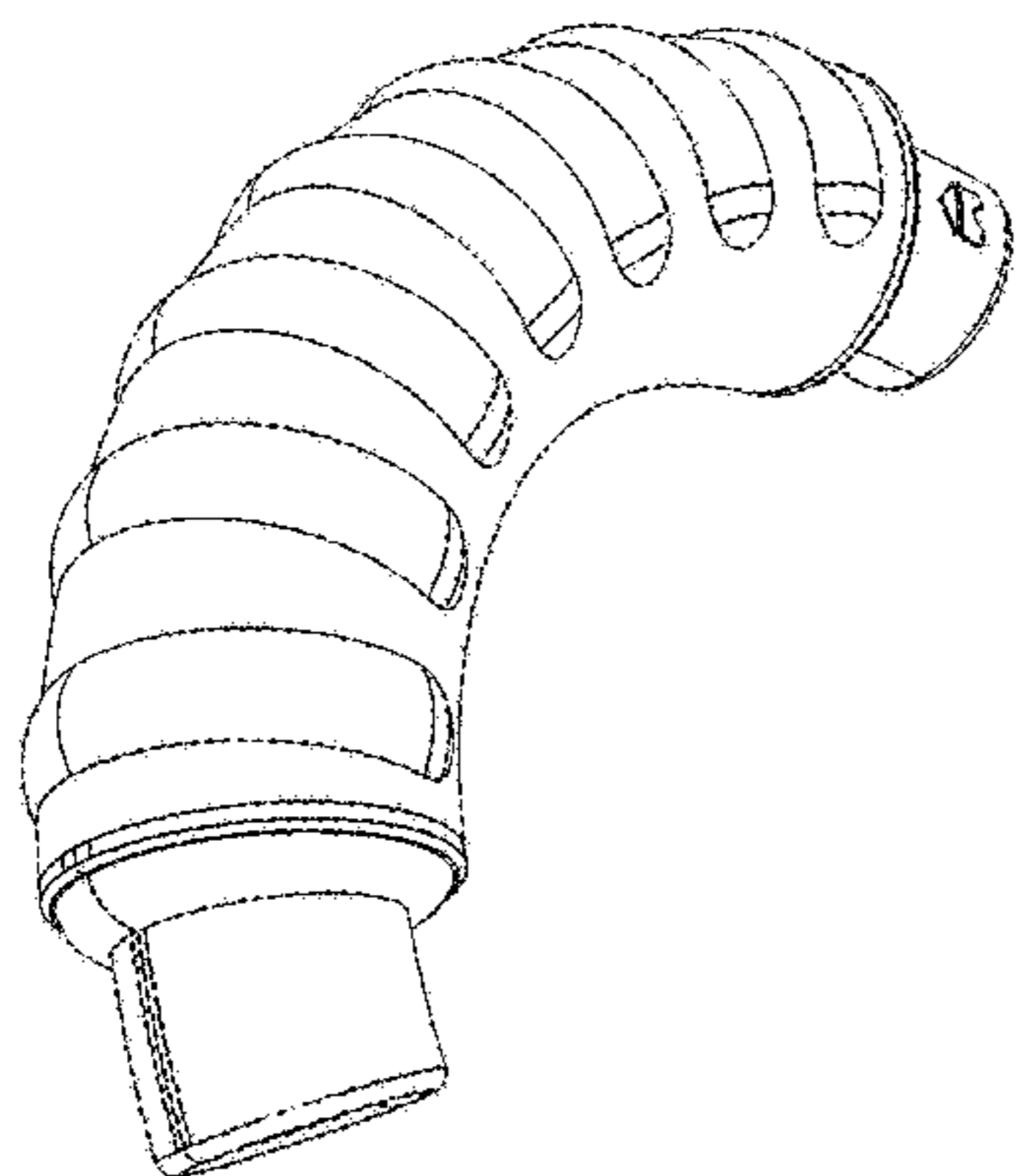


FIG. 7

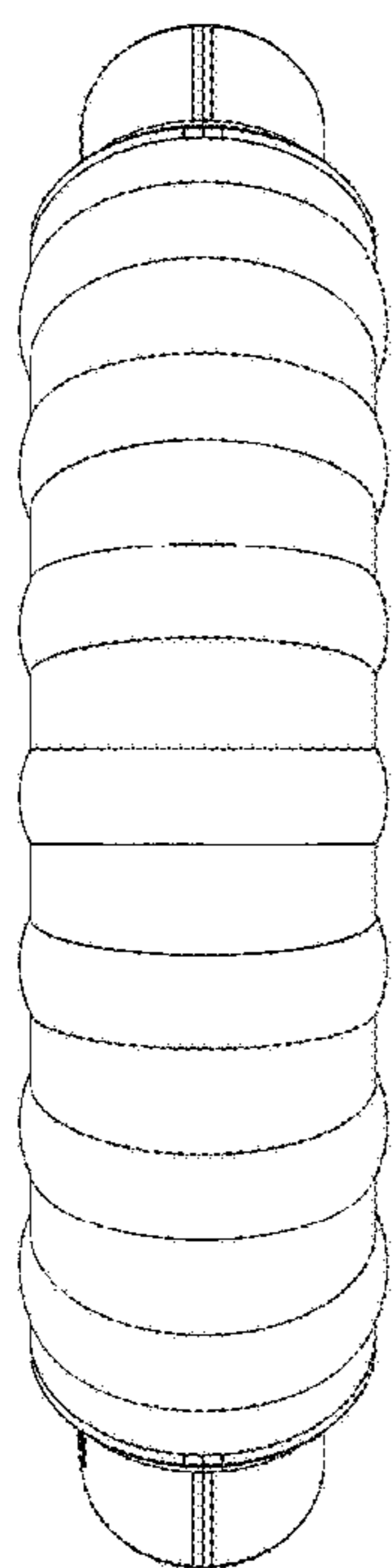


FIG. 8

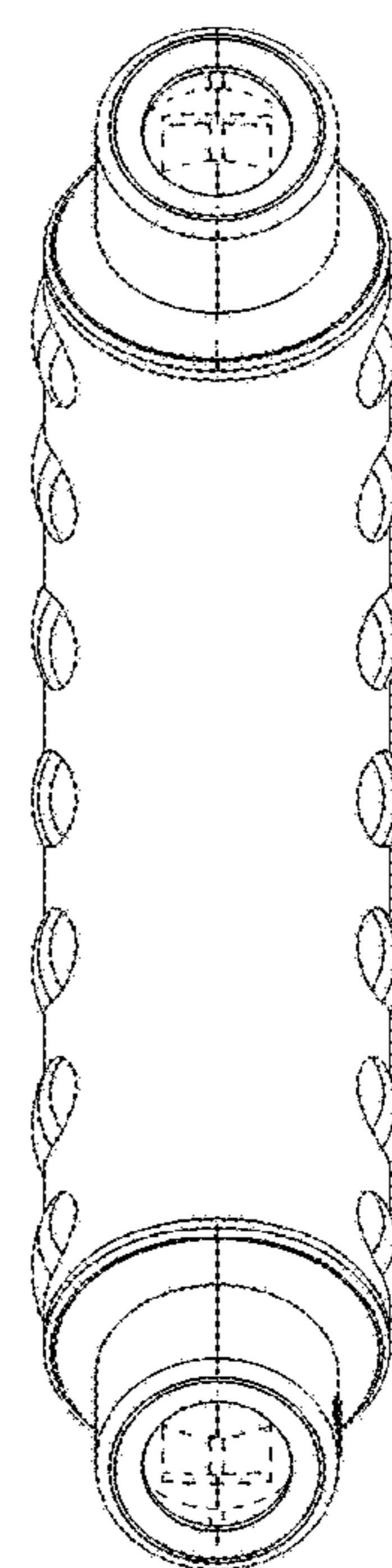


FIG. 9

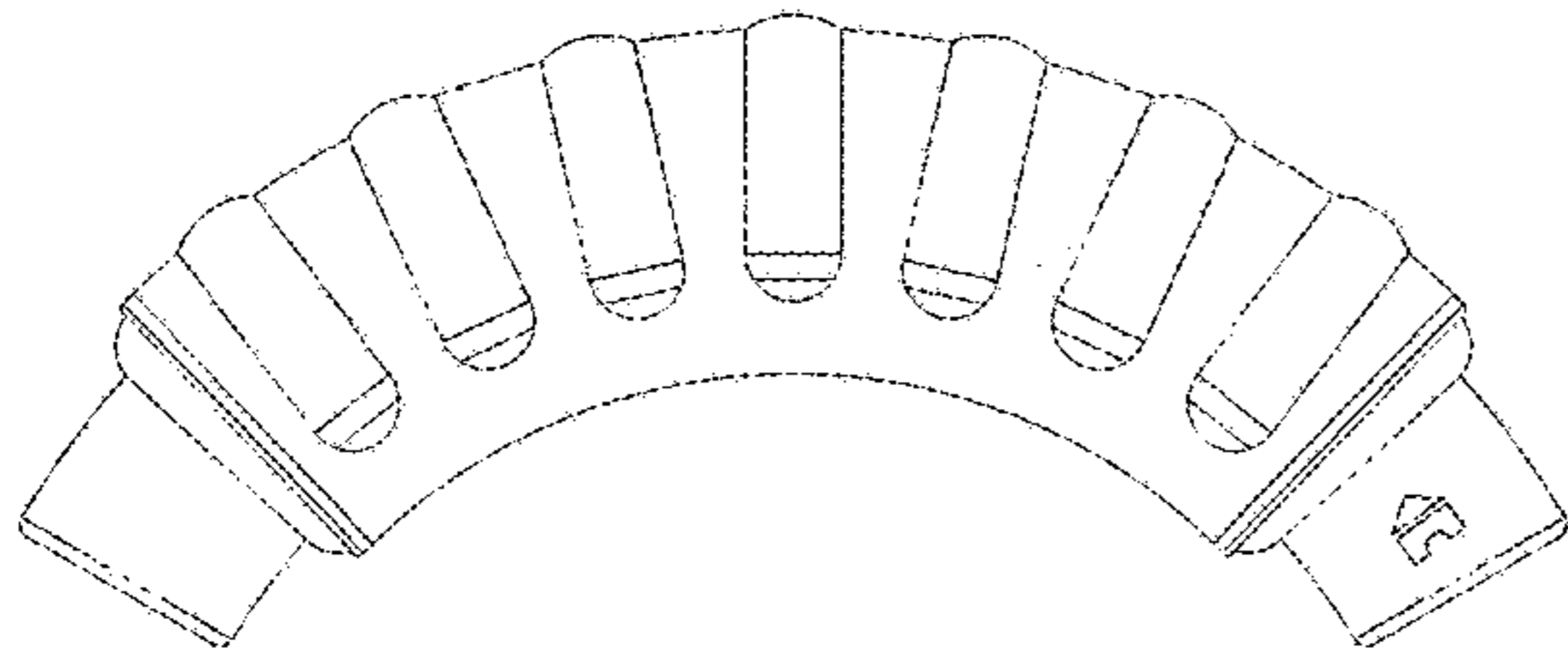


FIG. 10

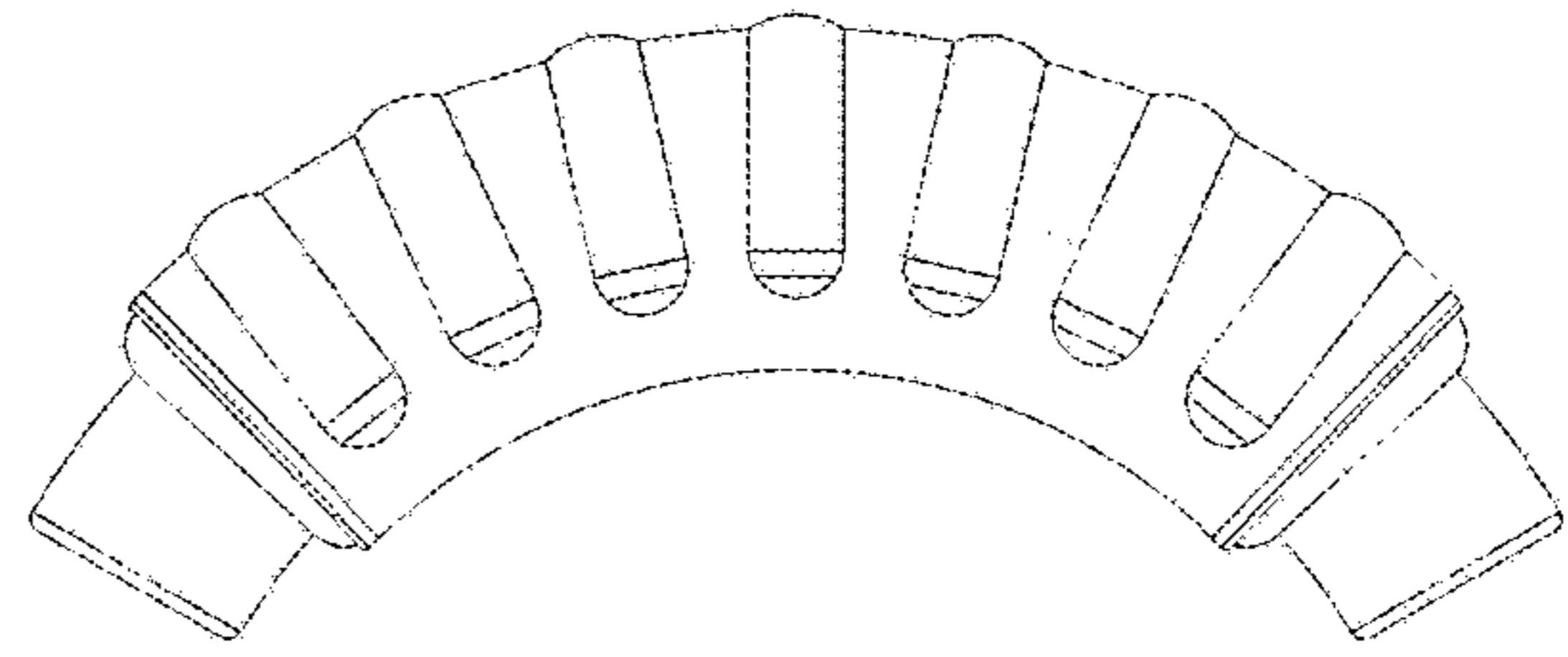


FIG. 11

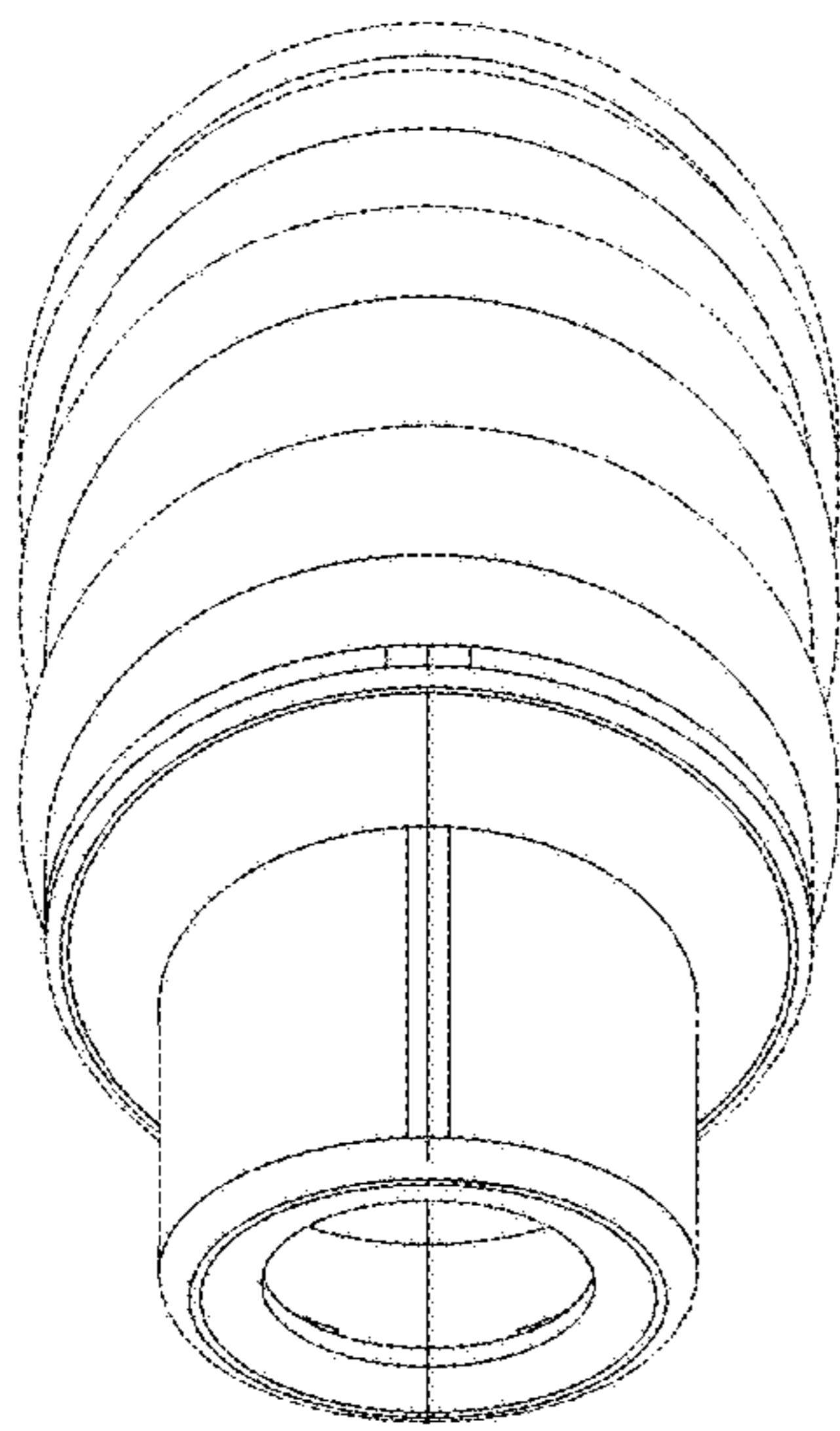


FIG. 12

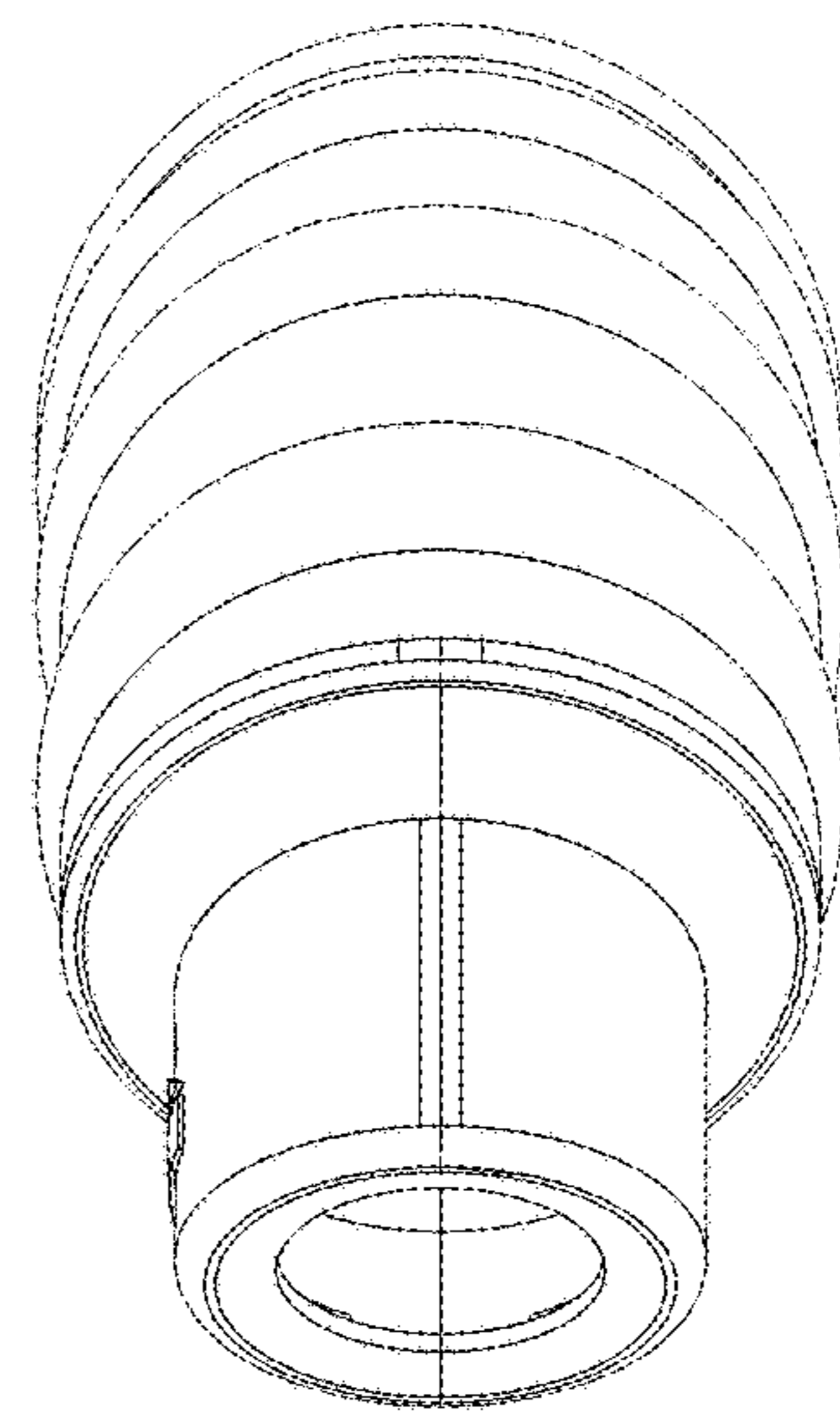


FIG. 13

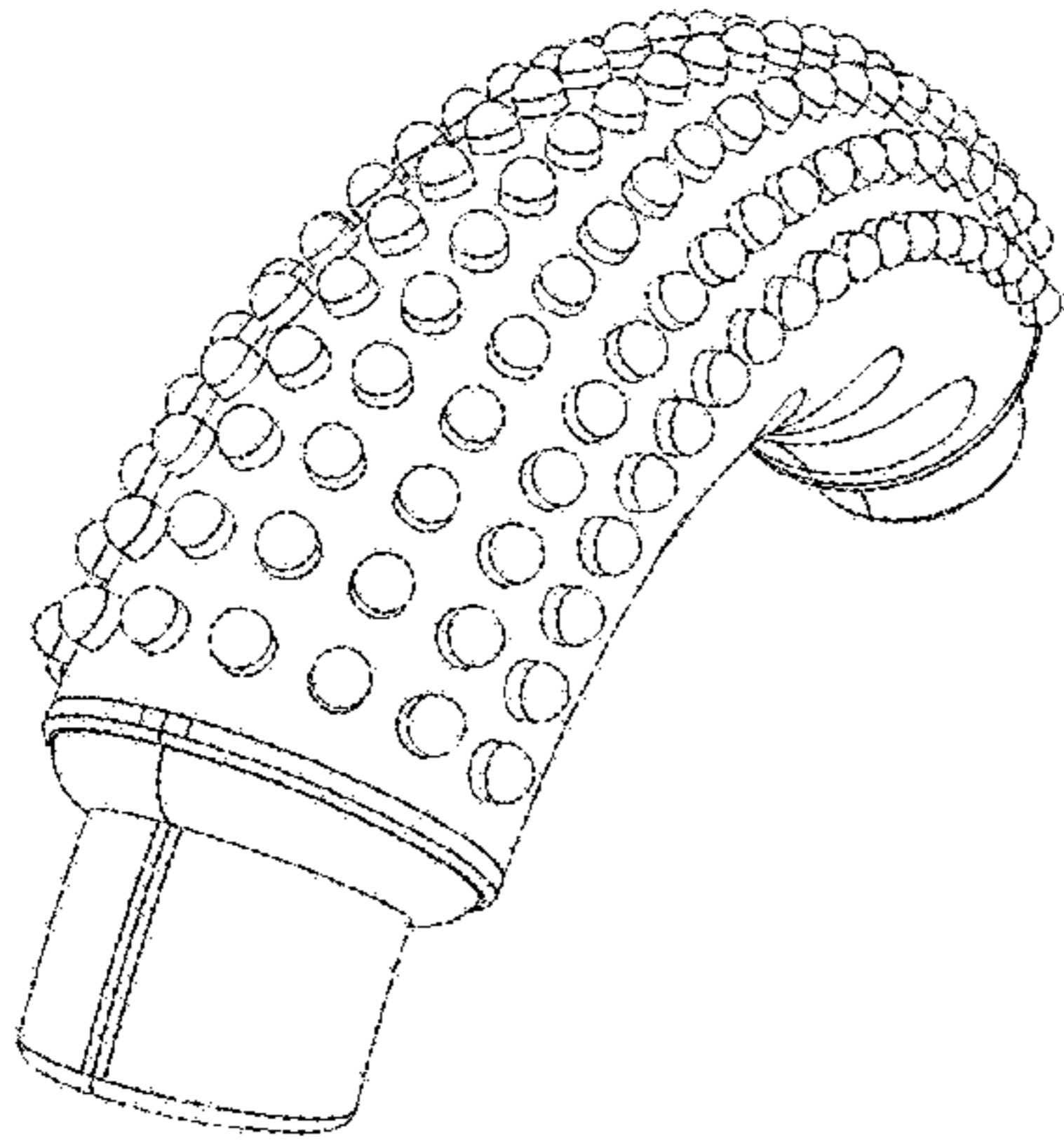


FIG. 14

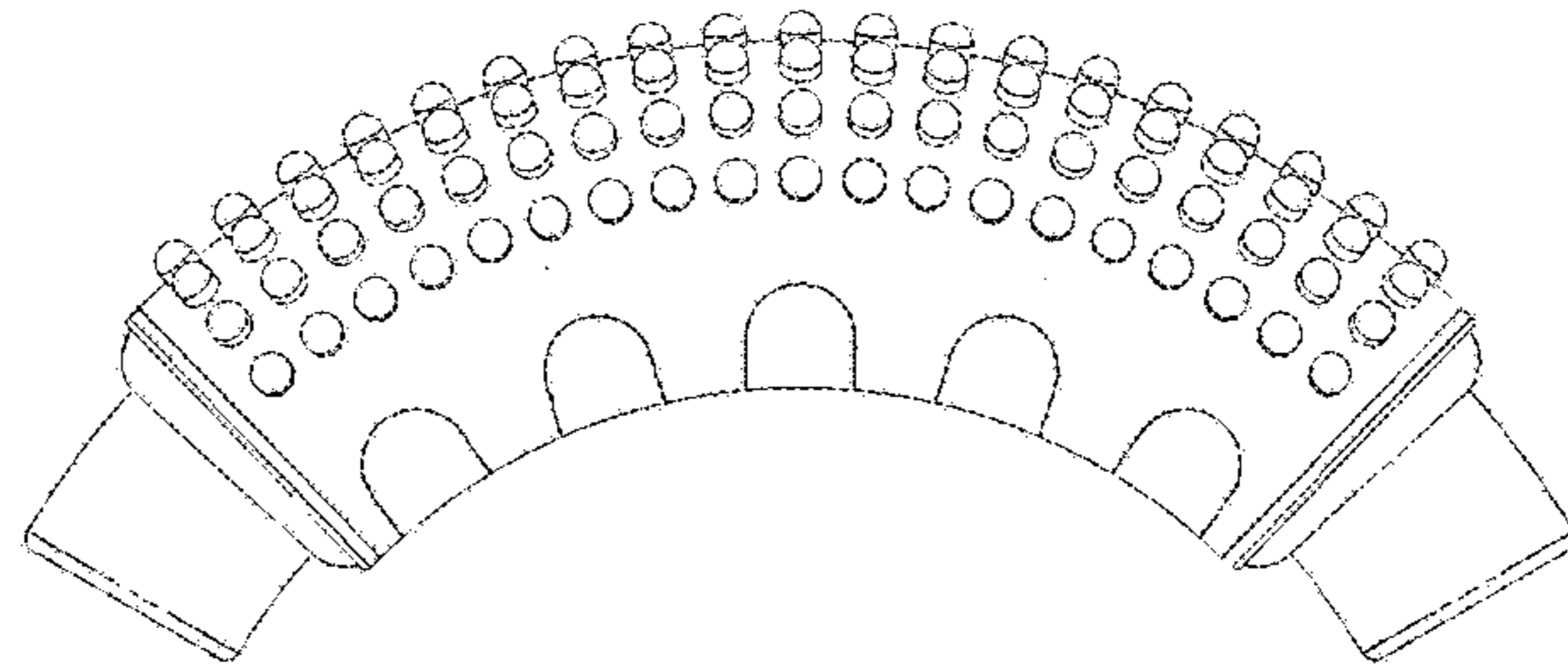


FIG. 15

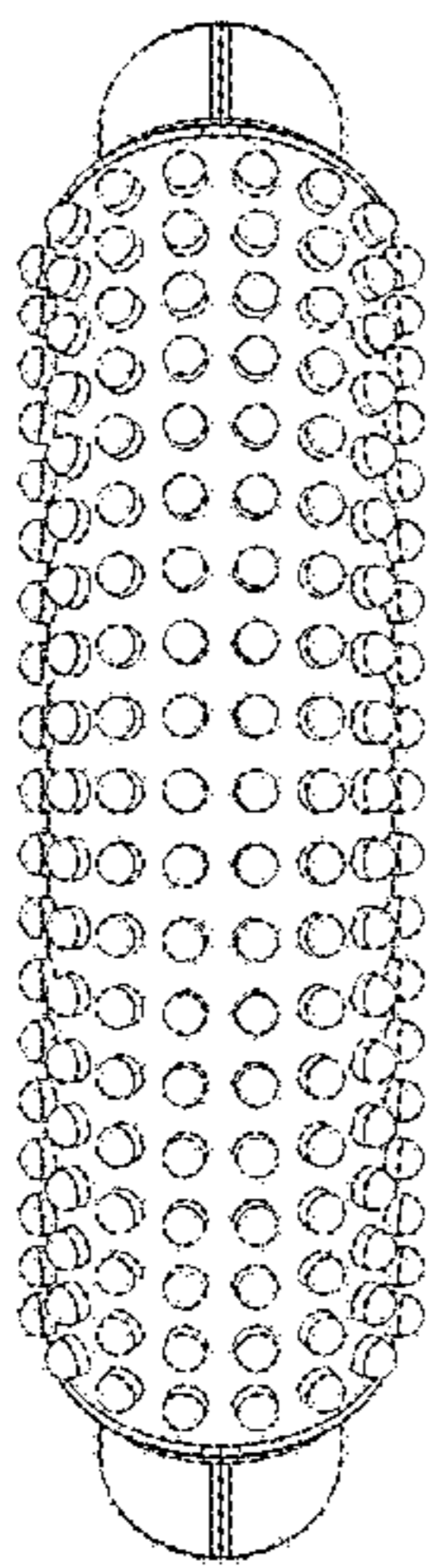


FIG. 16

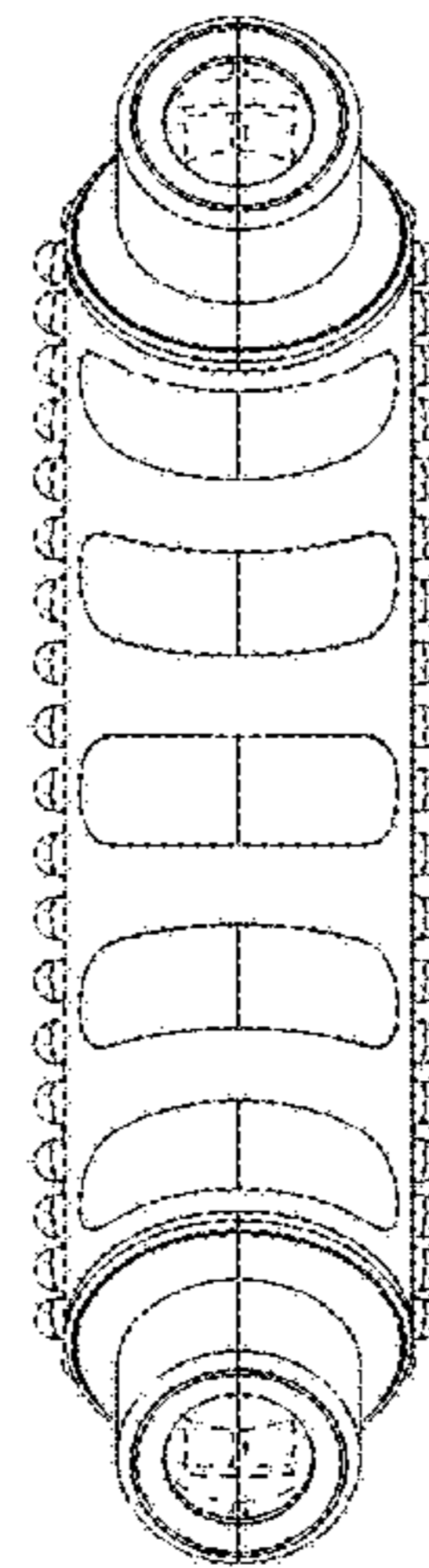


FIG. 17

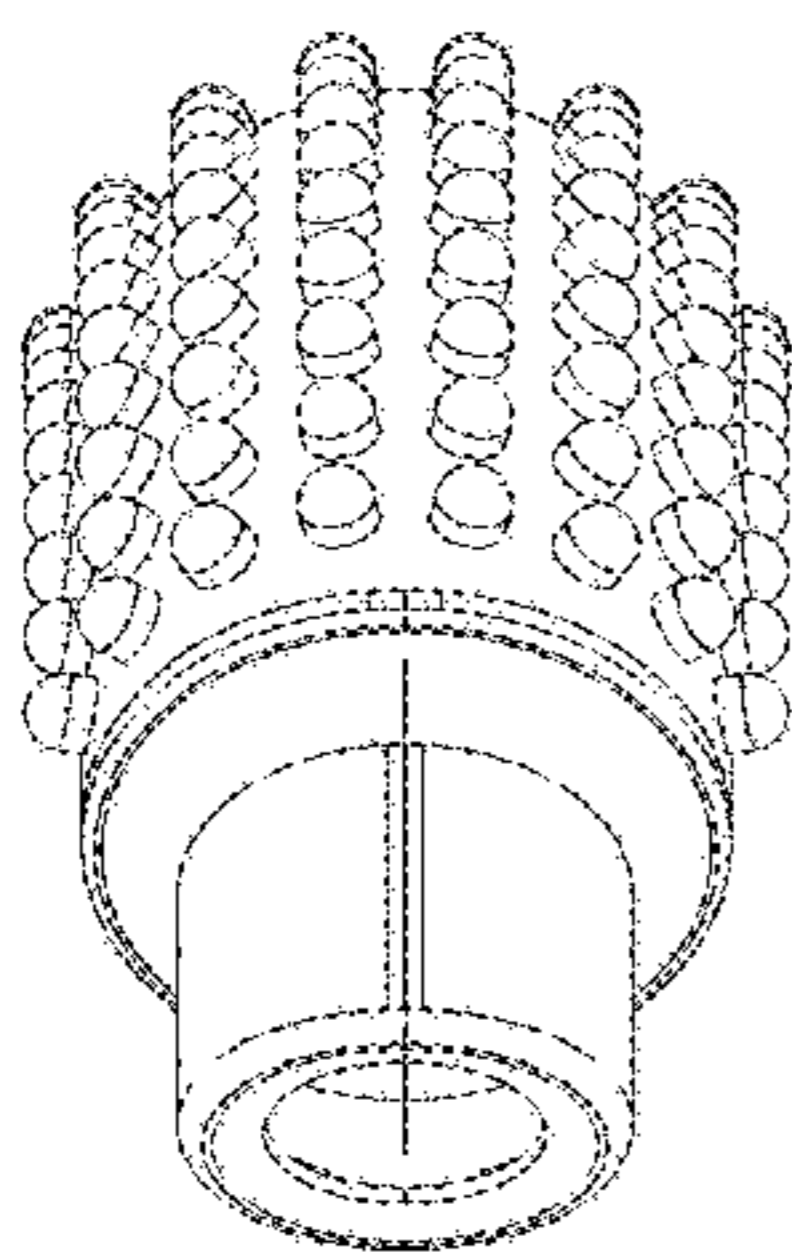


FIG. 18

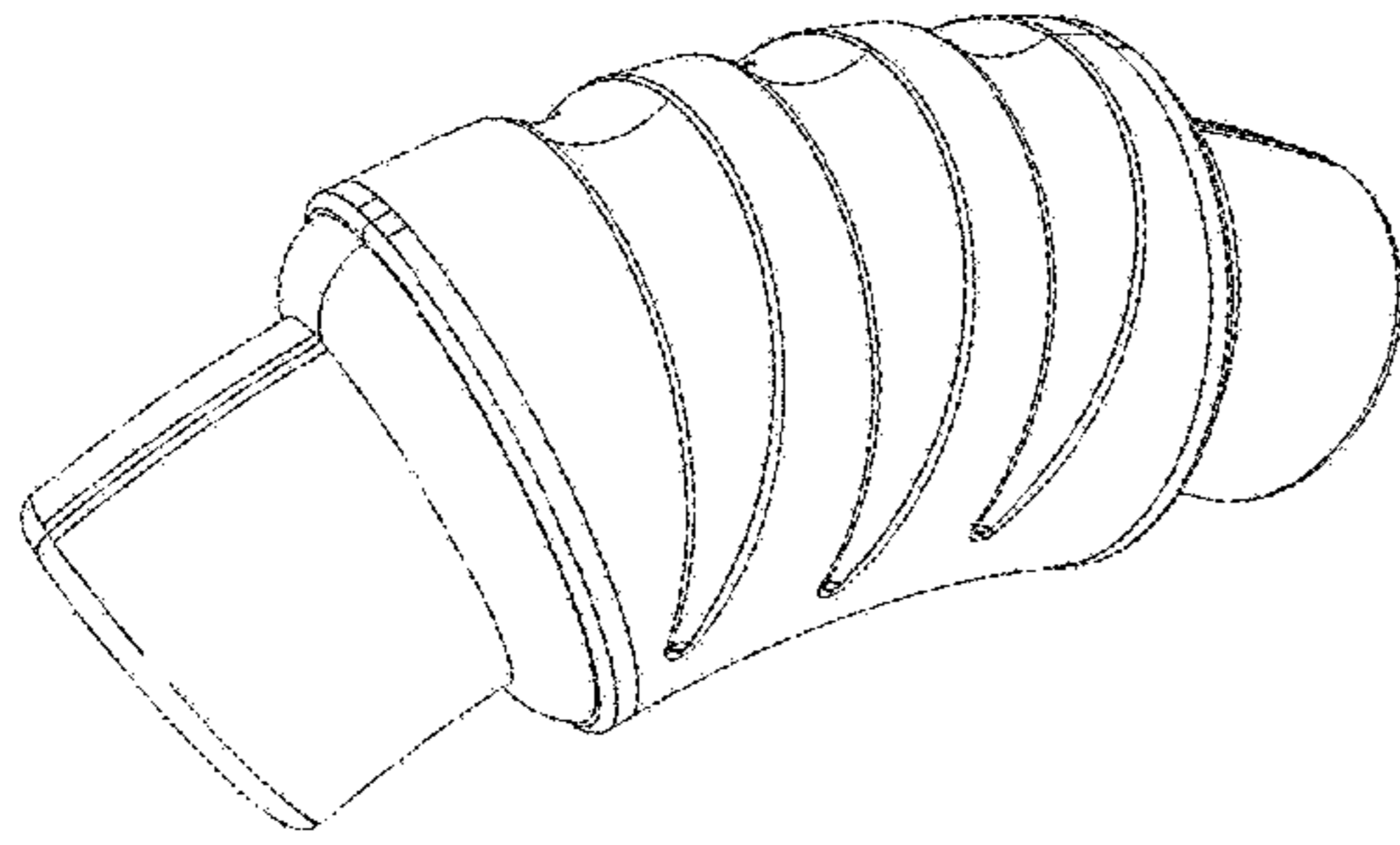


FIG. 19

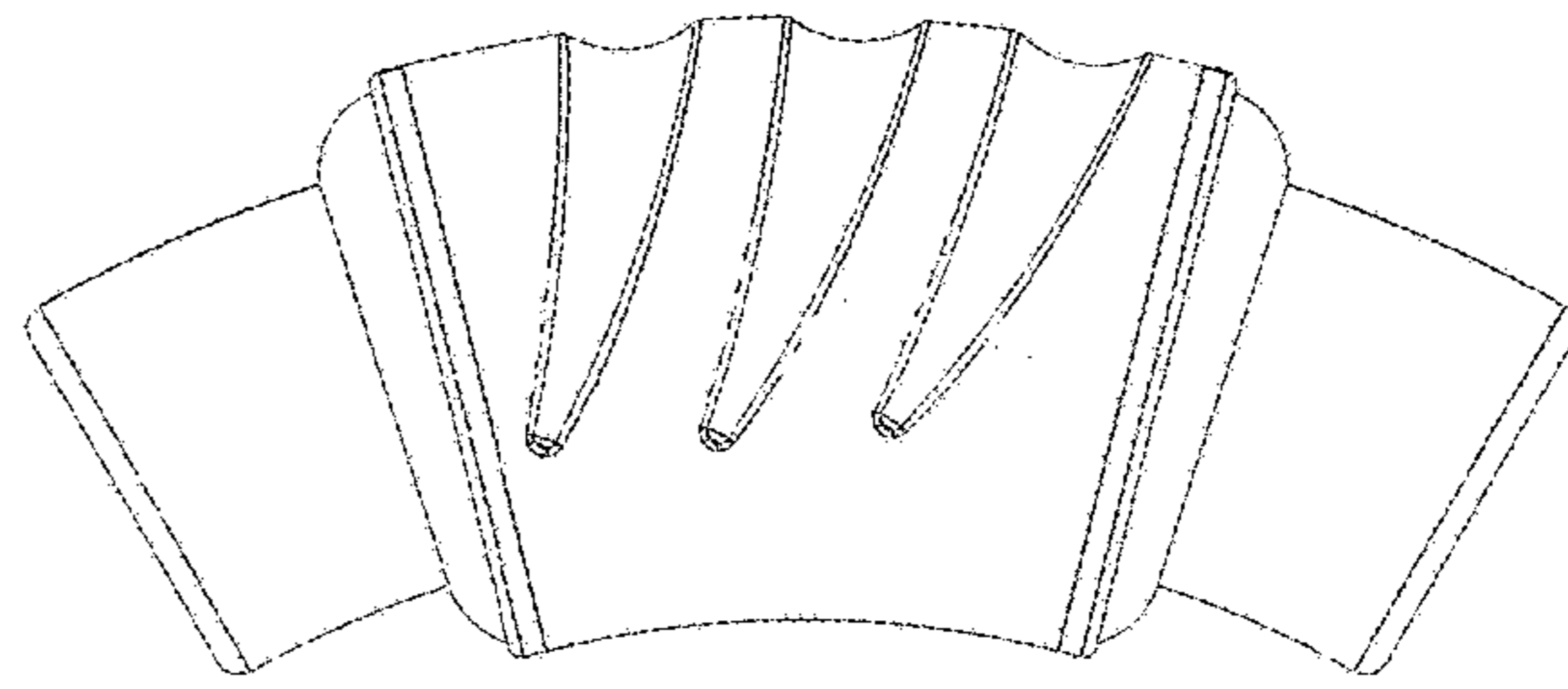


FIG. 20

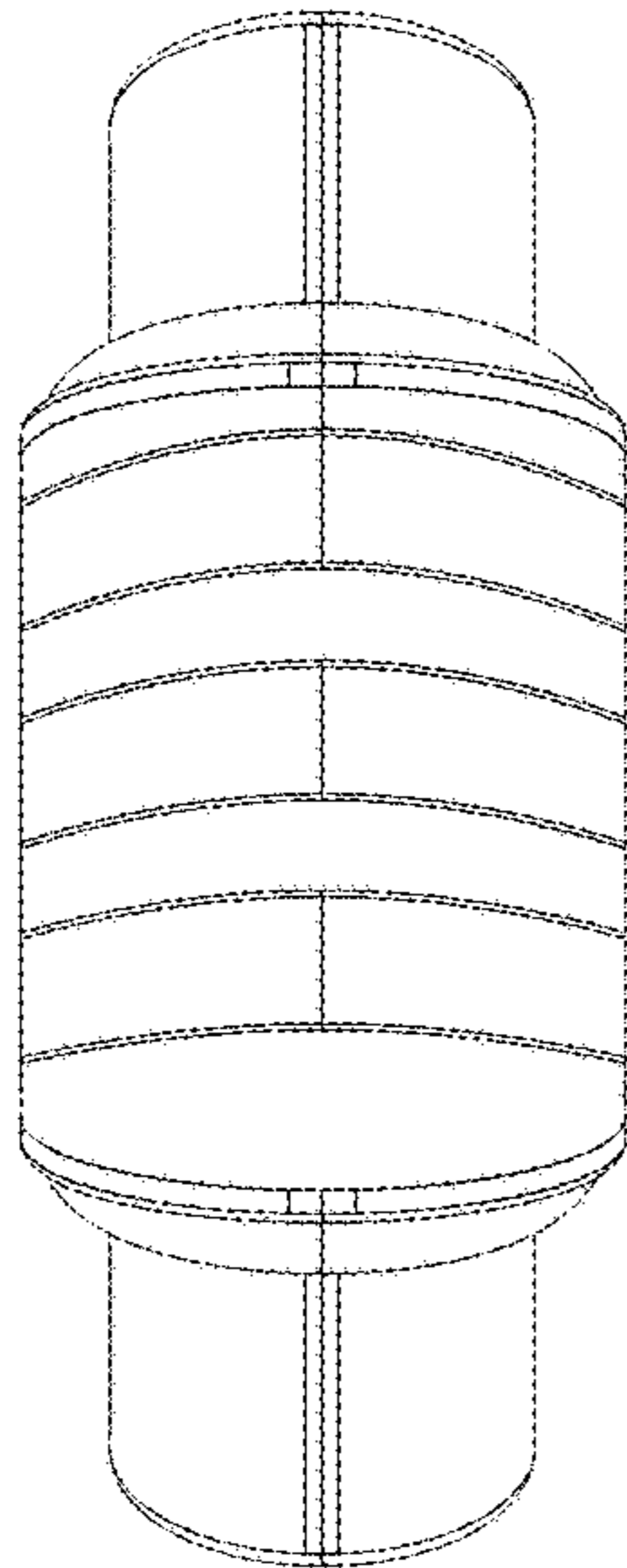


FIG. 21

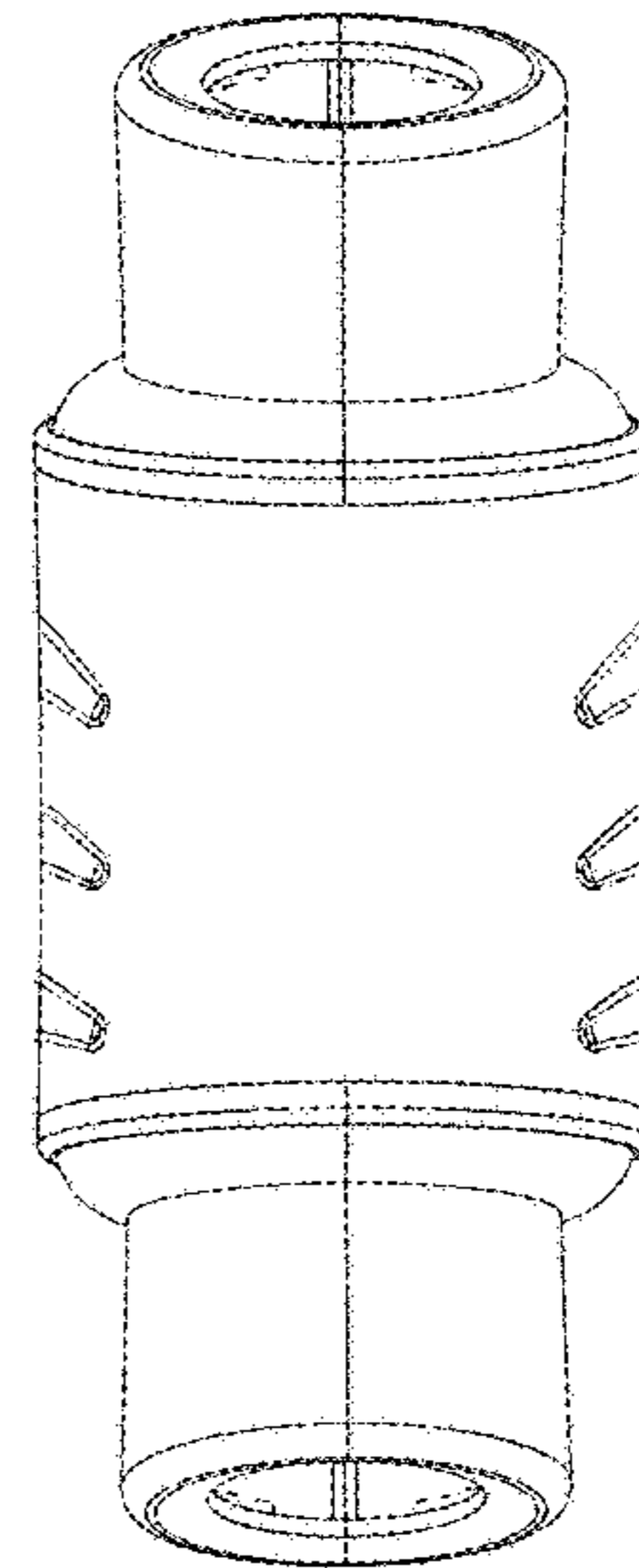


FIG. 22

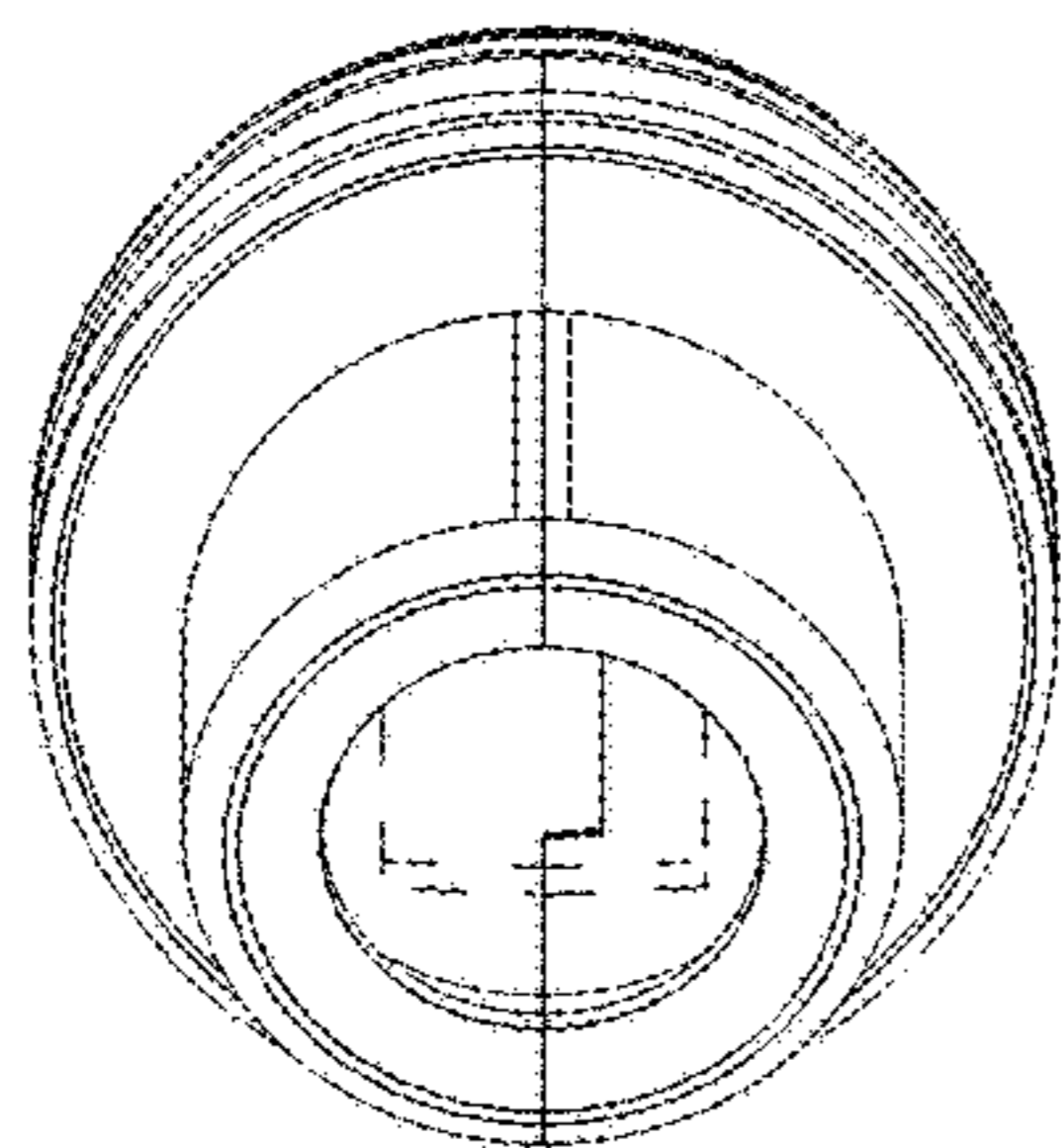
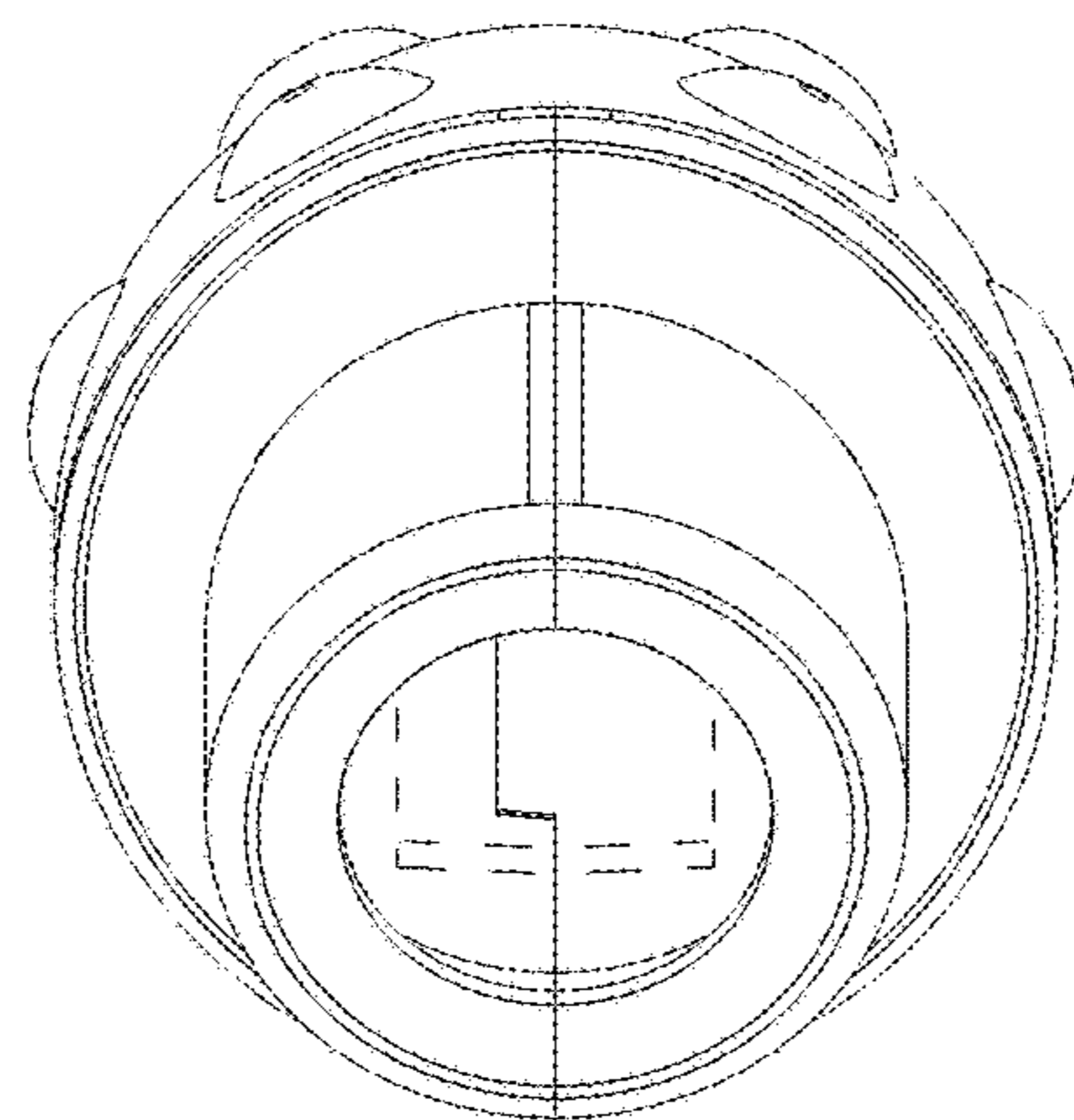
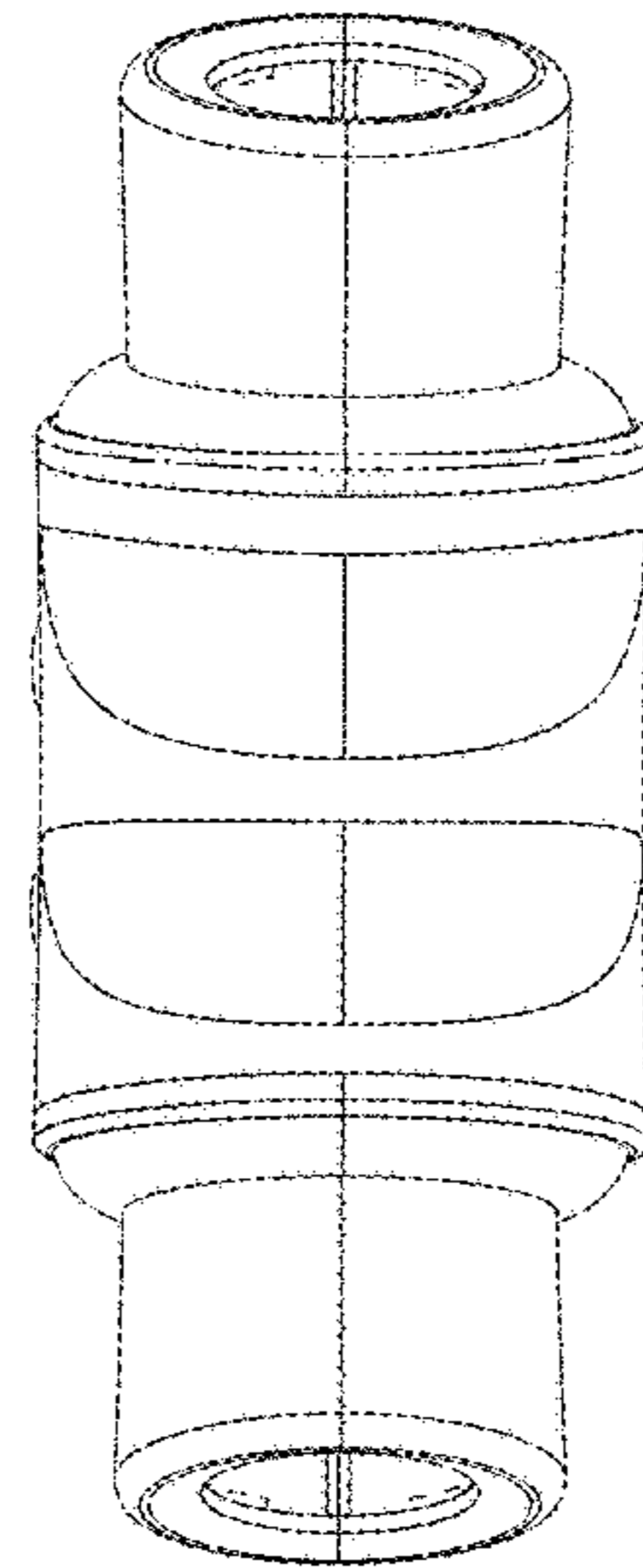
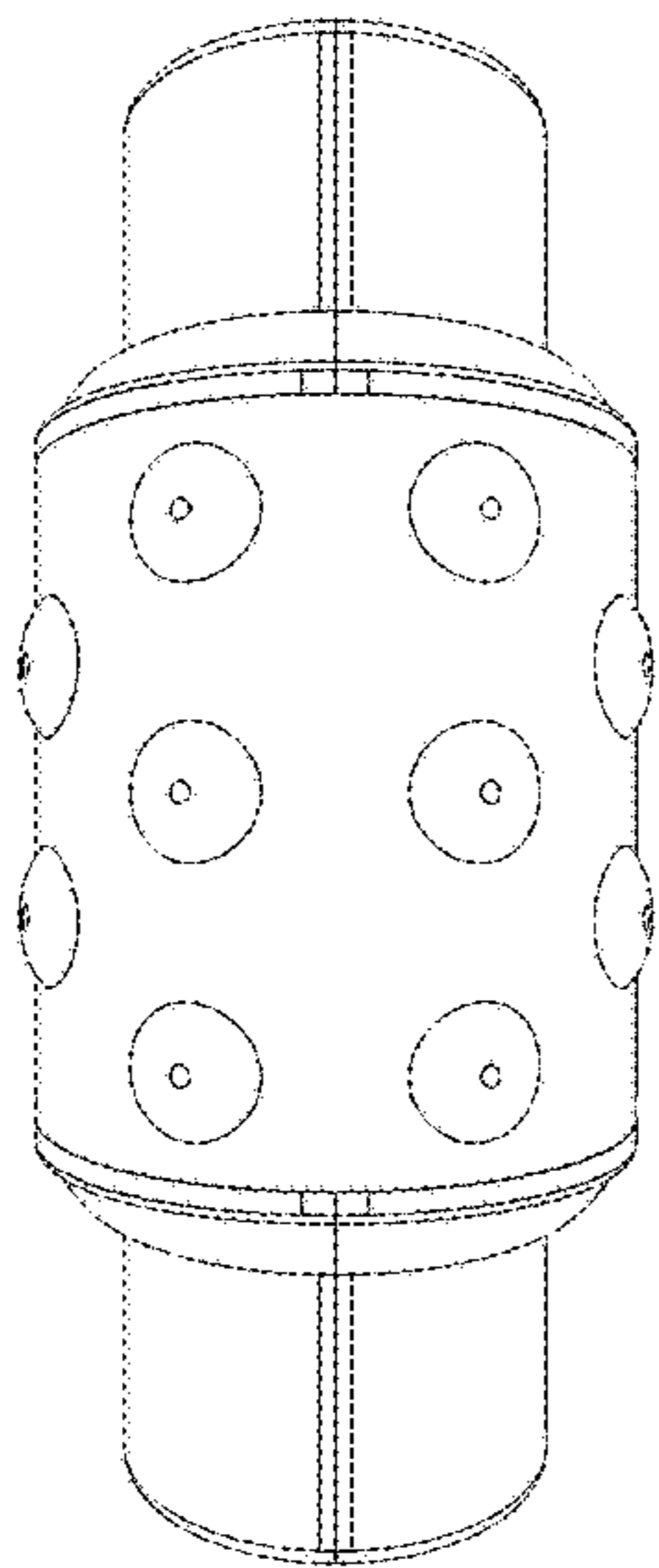
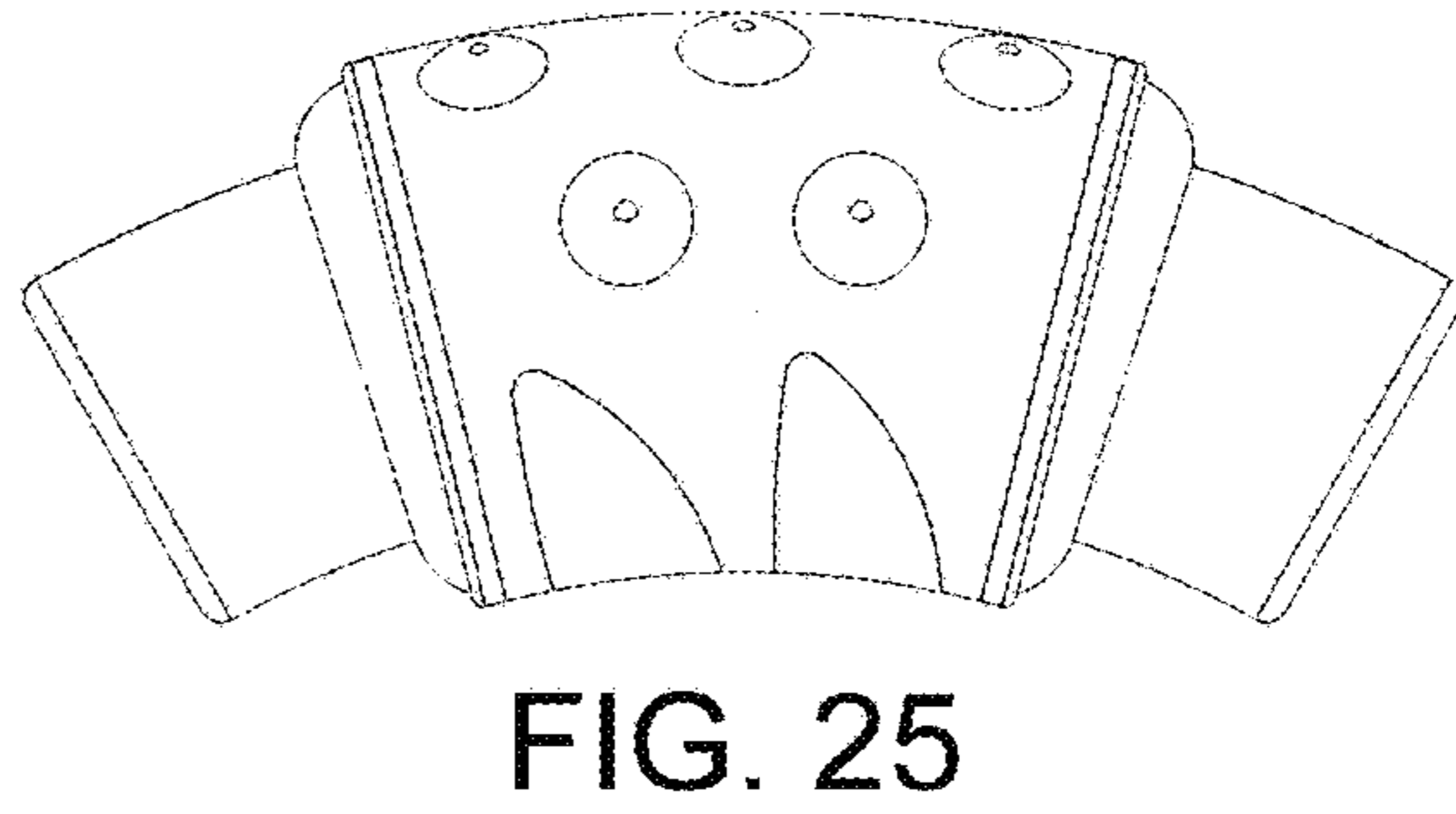
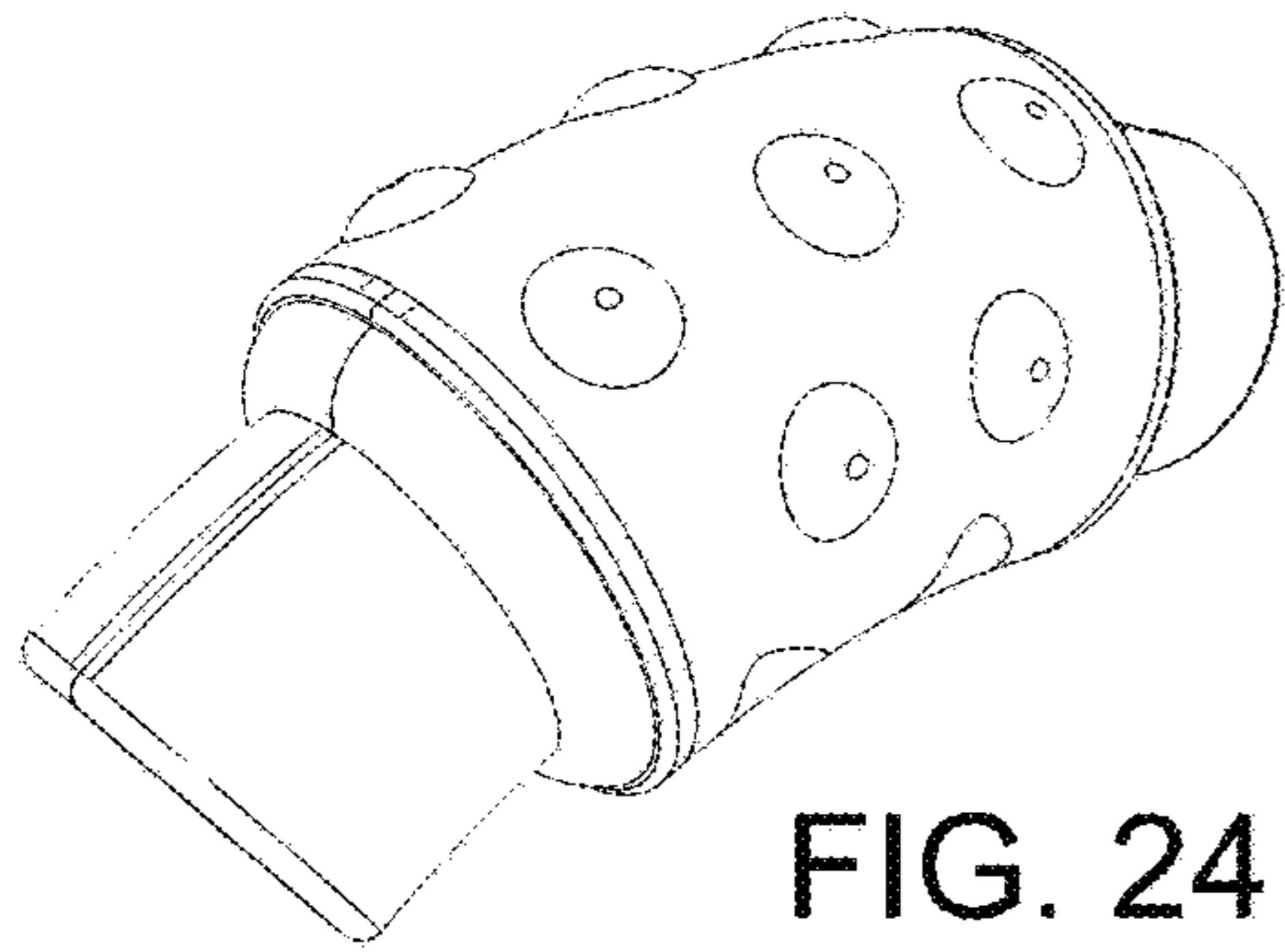


FIG. 23





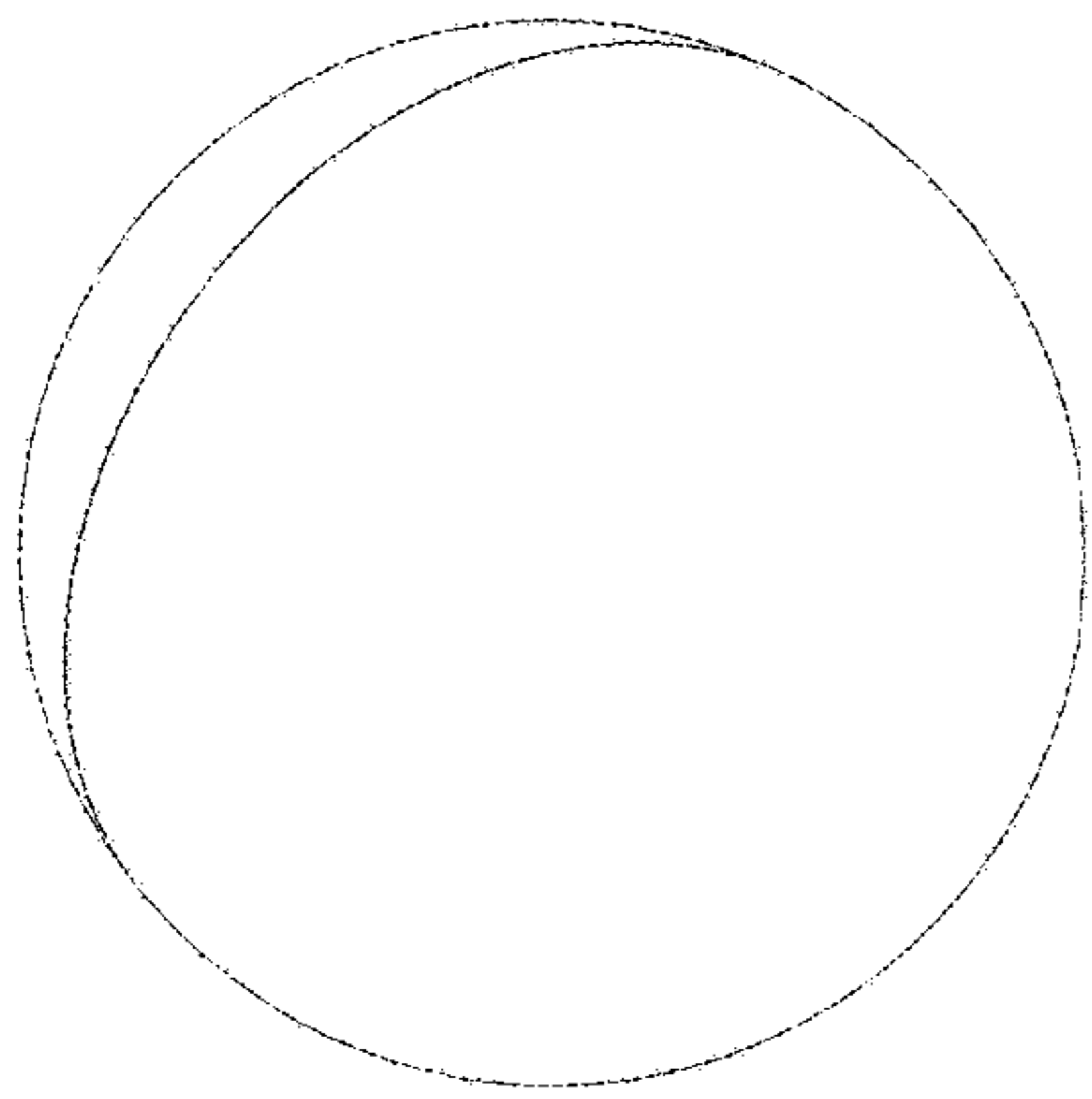


FIG. 29

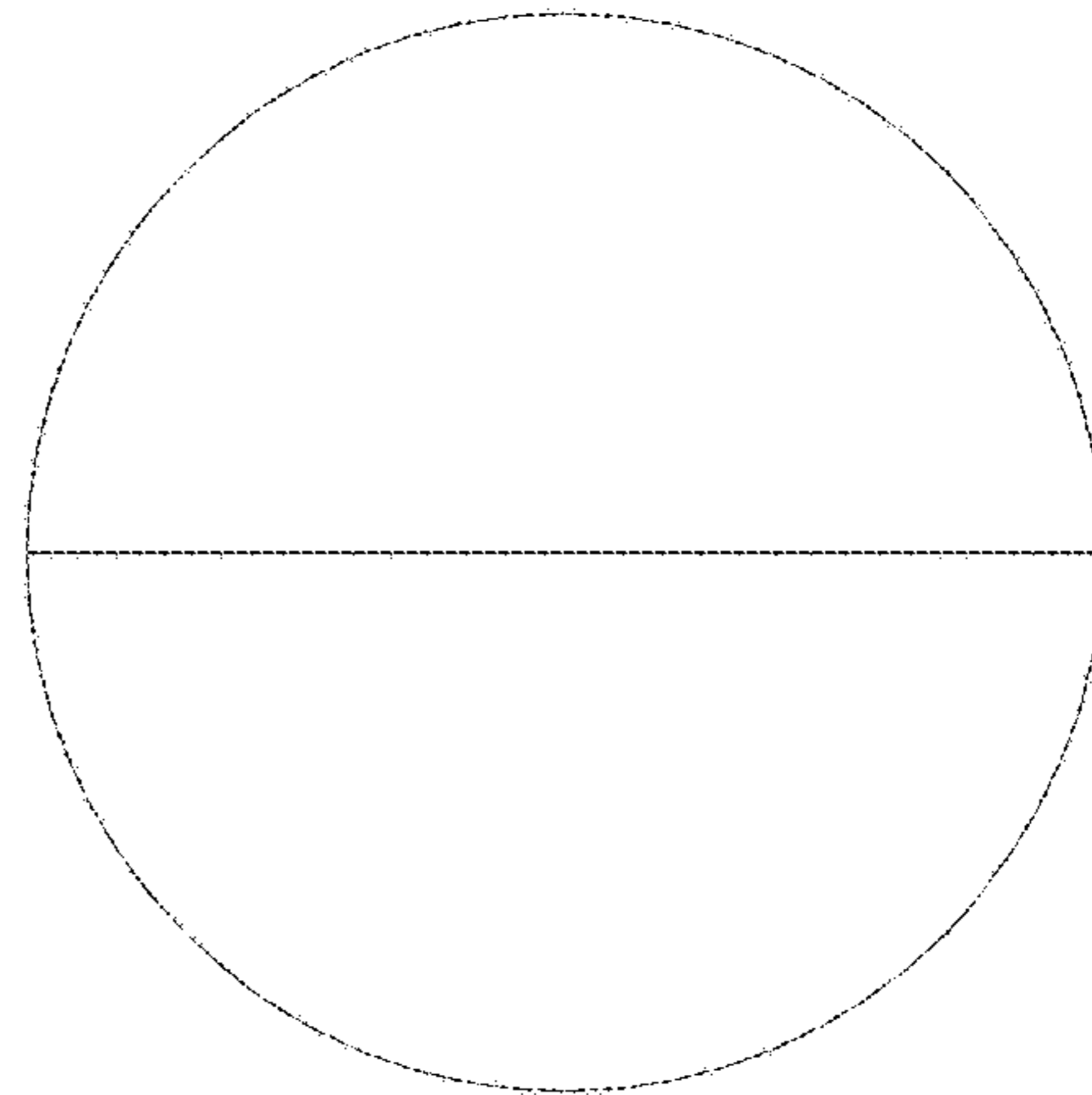


FIG. 30

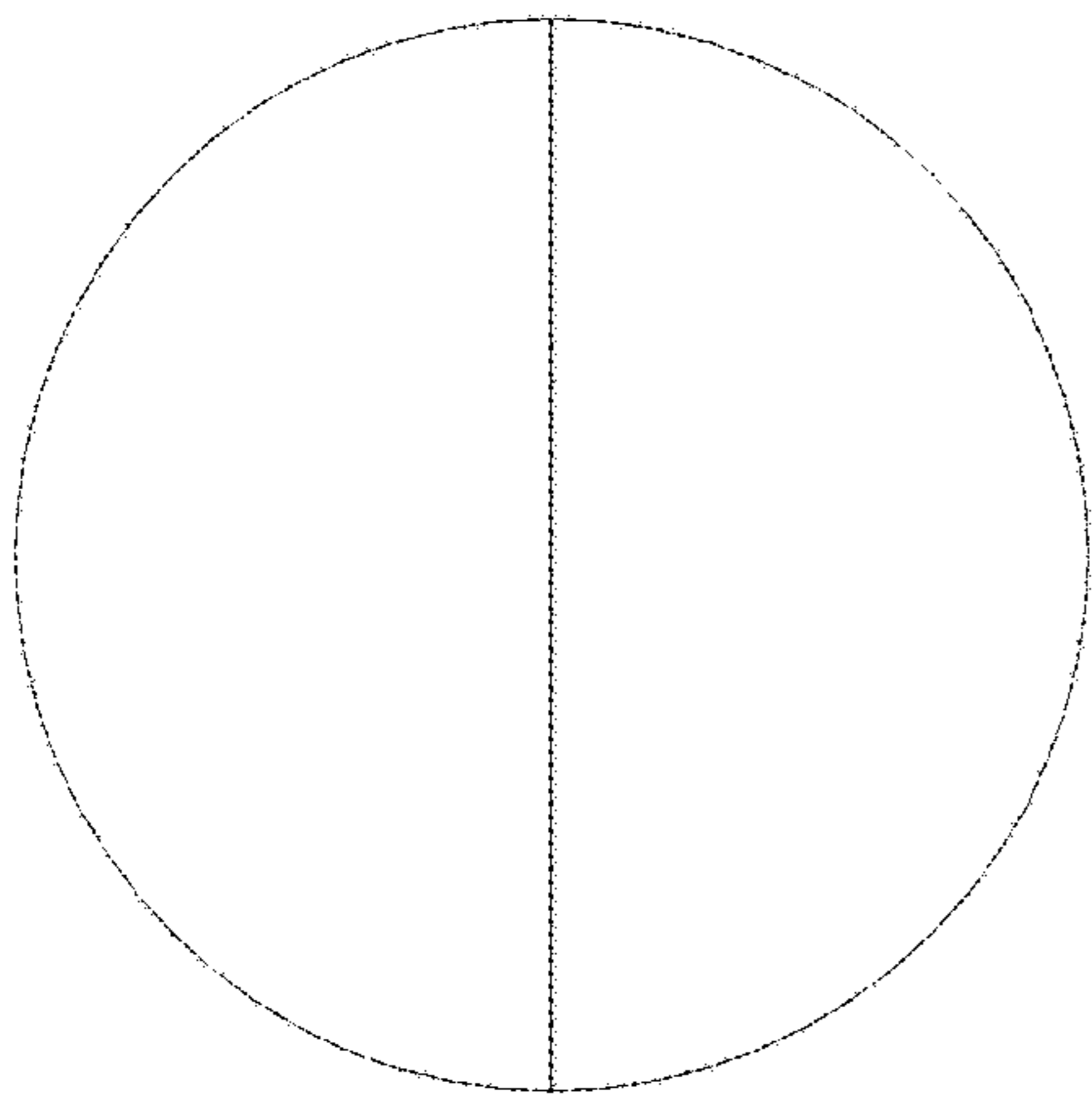


FIG. 31

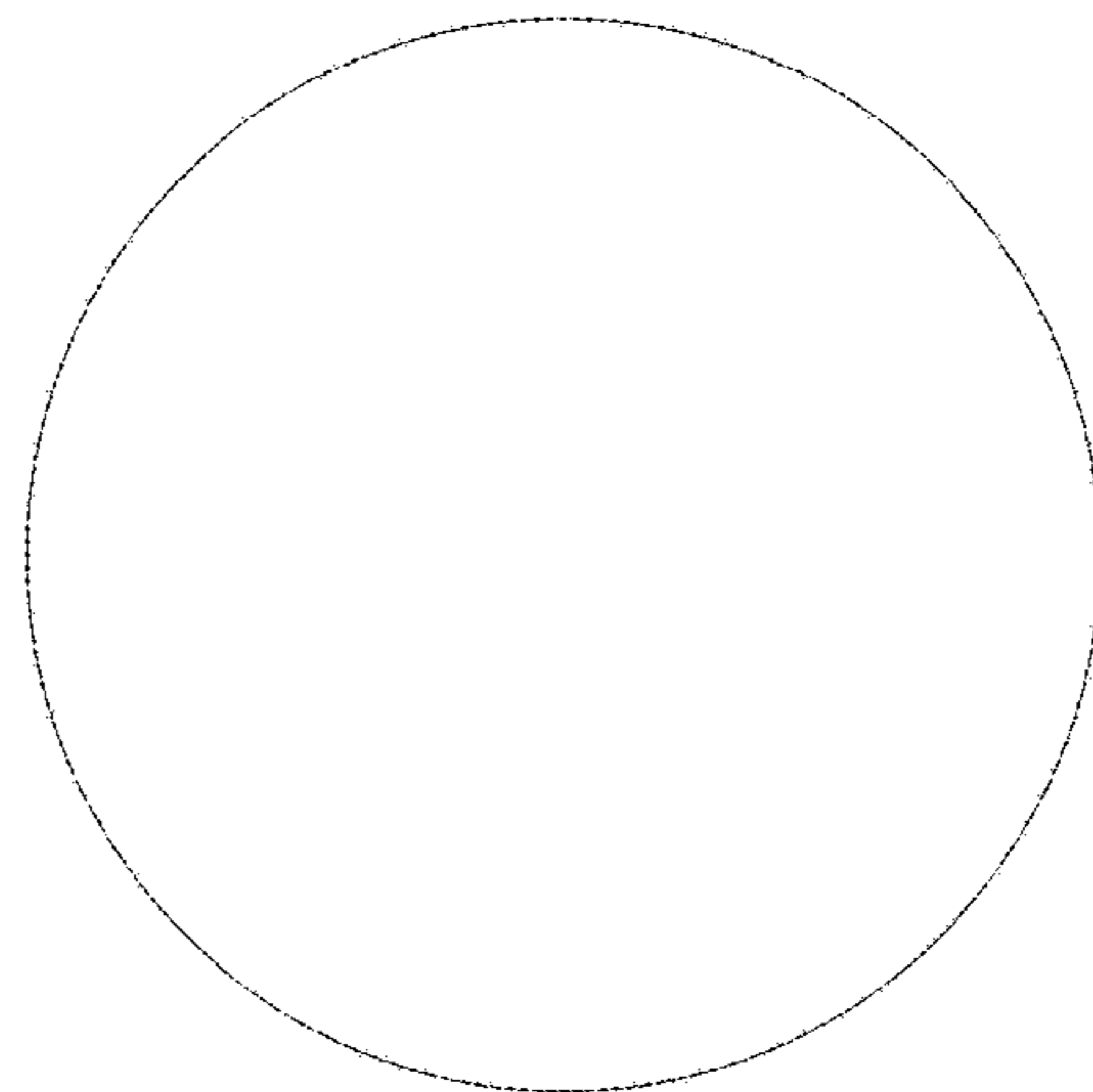


FIG. 32