



US00D821501S

(12) **United States Design Patent**
Sumii

(10) **Patent No.:** **US D821,501 S**
(45) **Date of Patent:** **** Jun. 26, 2018**

(54) **ARITHMETIC AND CONTROL UNIT**
(71) Applicant: **SONY INTERACTIVE ENTERTAINMENT INC.**, Tokyo (JP)
(72) Inventor: **Tetsu Sumii**, Tokyo (JP)
(73) Assignee: **SONY INTERACTIVE ENTERTAINMENT INC.**, Tokyo (JP)

D433,410 S * 11/2000 Matsuzaka D14/125
D494,586 S * 8/2004 Kanatani D14/356
D495,330 S * 8/2004 Kanatani D14/356
D516,634 S * 3/2006 Man-tat D21/332
D520,998 S * 5/2006 Sanefuji D14/356
D532,785 S * 11/2006 Lo D14/363

(Continued)

(**) Term: **15 Years**

FOREIGN PATENT DOCUMENTS

RU 91019 12/2014

(21) Appl. No.: **29/595,402**

OTHER PUBLICATIONS

(22) Filed: **Feb. 28, 2017**

Israeli Official Action—Design Application No. 60020—dated Aug. 13, 2017.

(30) **Foreign Application Priority Data**

Aug. 29, 2016 (JP) 2016-018350

Primary Examiner — Prabhakar G Deshmukh

(74) *Attorney, Agent, or Firm* — Young & Thompson

(51) **LOC (11) Cl.** **21-01**

(52) **U.S. Cl.**
USPC **D21/332**; D14/203.3; D14/496

(57) **CLAIM**

The ornamental design for an arithmetic and control unit, as shown and described.

(58) **Field of Classification Search**

USPC D14/496, 401, 435, 474, 483, 217, 137, D14/138, 160, 168, 356, 203.1–203.8, D14/507; 345/156, 169, 173–179, 905; 715/727–729, 864; 710/1, 5, 8; 713/1, 713/600; 455/1.1, 1.7, 73, 344–347, 93, 455/95, 3.01–3.06, 550.1, 573.1; 370/342–344; 369/1, 2, 6–12; 463/43–47, 29–35; 273/148 B; D21/324–333

DESCRIPTION

FIG. 1 is a perspective view of front, top and right side of an arithmetic and control unit showing my new design; FIG. 2 is a perspective view of rear, bottom and right side thereof; FIG. 3 is a front view thereof; FIG. 4 is a rear view thereof; FIG. 5 is a left side view thereof; FIG. 6 is a right side view thereof; FIG. 7 is a top view thereof; FIG. 8 is a bottom view thereof; FIG. 9 is a cross sectional view taken along line 9-9 of FIG. 3; FIG. 10 is a cross sectional view taken along line 10-10 of FIG. 3; and, FIG. 11 is an enlarged view of the area 11 of FIG. 3. The broken lines form no part of the claimed design.

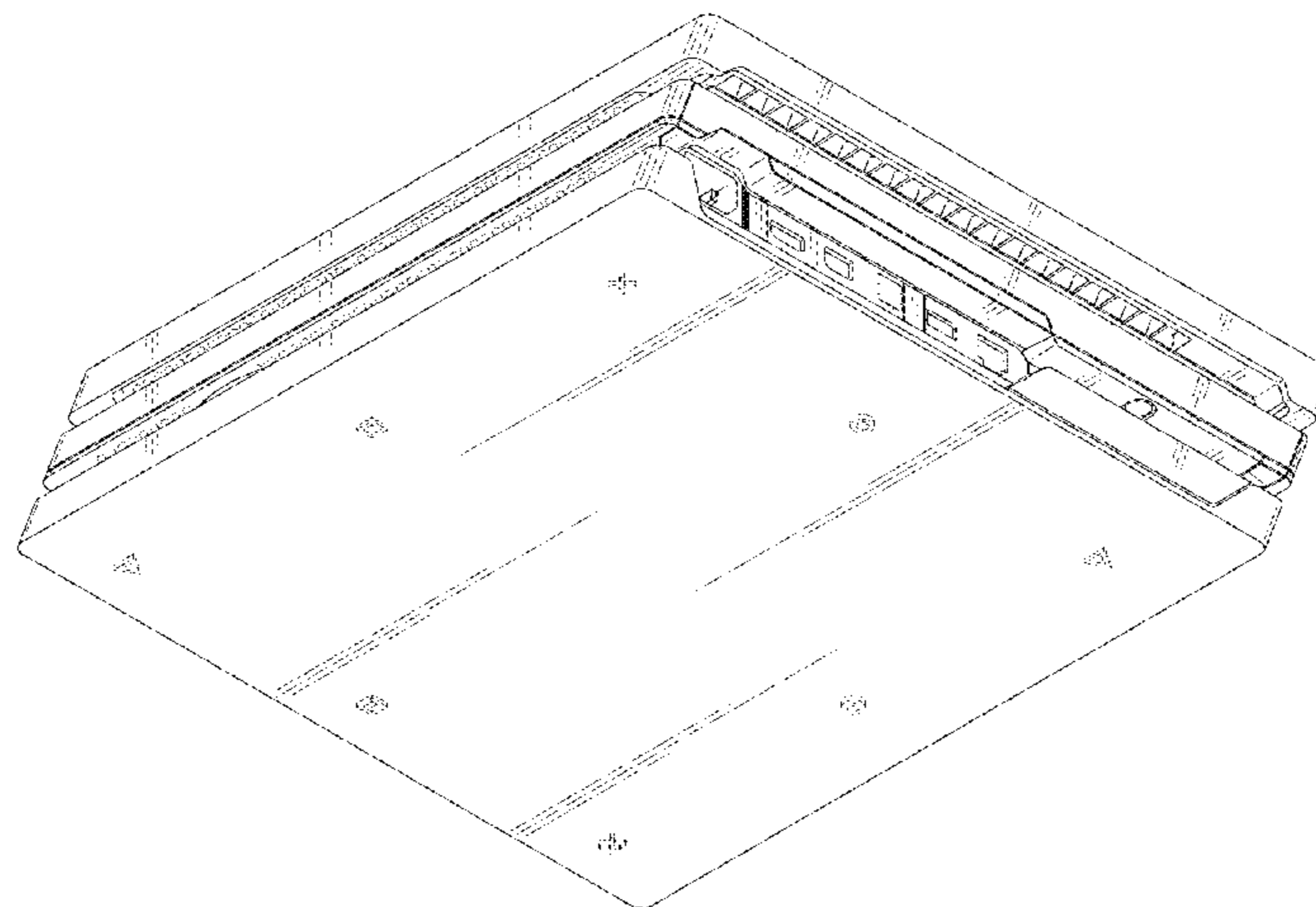
CPC A63F 9/00; A63F 9/24; A63F 11/00; A63F 13/00; A63F 2300/00; H04J 1/08; H04J 15/00; H04J 14/02; H04J 2203/0025
See application file for complete search history.

(56) **References Cited**

U.S. PATENT DOCUMENTS

4,573,092 A * 2/1986 Sugiyama G11B 19/04 360/133
4,698,707 A * 10/1987 Heys, Jr. G11B 33/027 312/284

1 Claim, 9 Drawing Sheets



(56)

References Cited

U.S. PATENT DOCUMENTS

D574,360	S	*	8/2008	Matsuoka	D14/168
D576,686	S	*	9/2008	Ashida	D21/324
D659,112	S	*	5/2012	Ryu	D14/125
D754,658	S		4/2016	Sumii		
2002/0181380	A1	*	12/2002	Wada	G11B 17/0405 720/628
2008/0004735	A1	*	1/2008	Michener	H04H 20/89 700/94

* cited by examiner

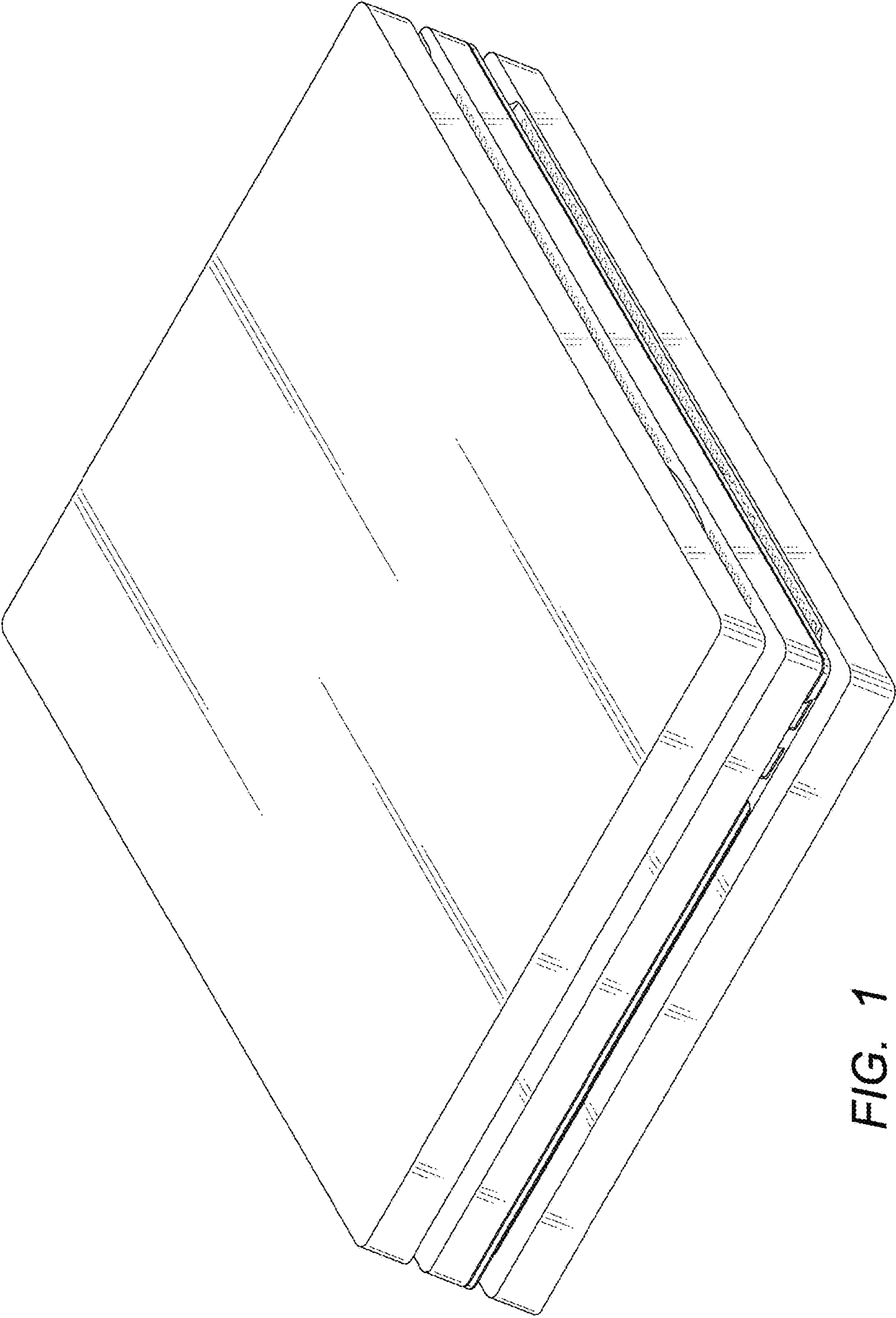


FIG. 1

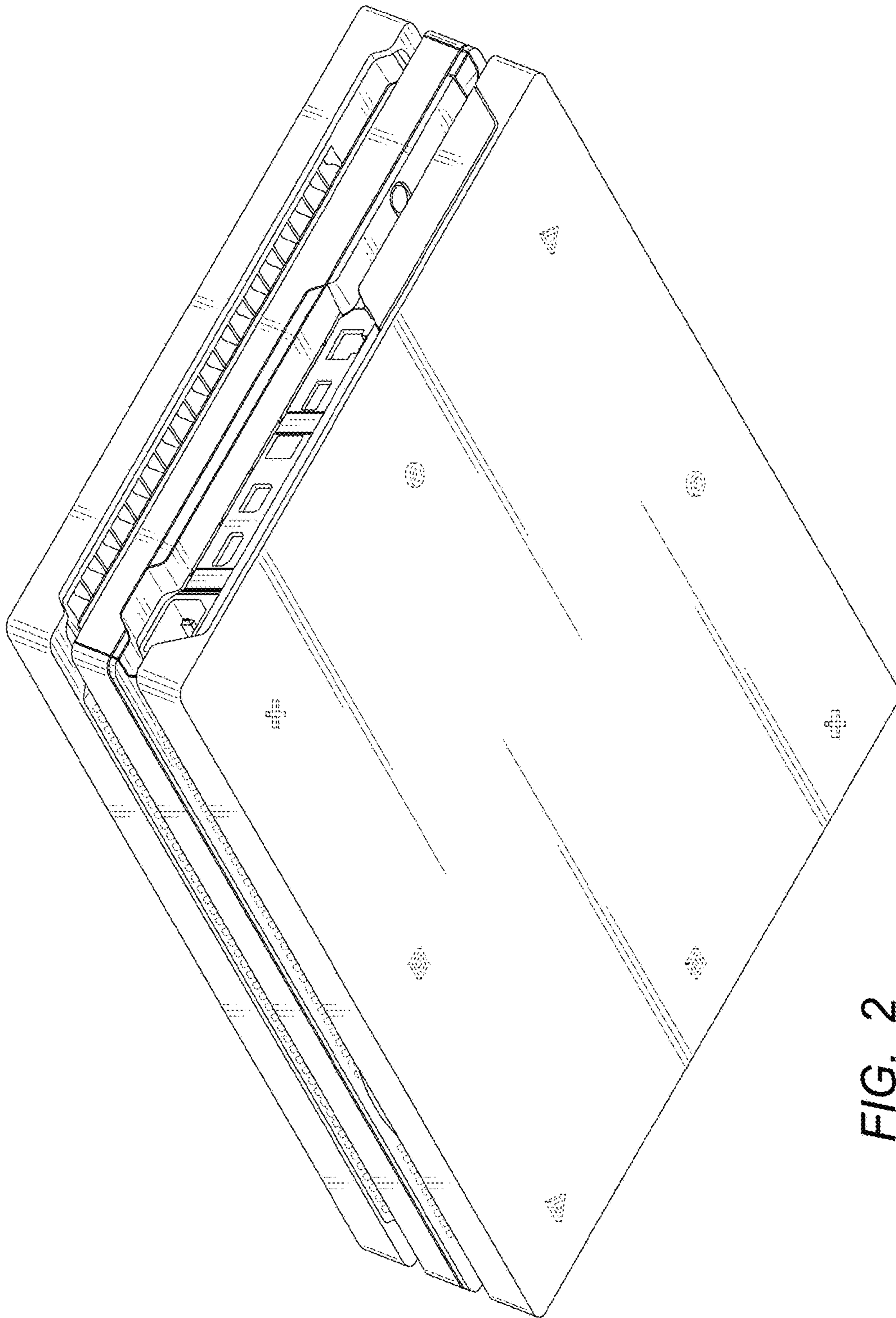
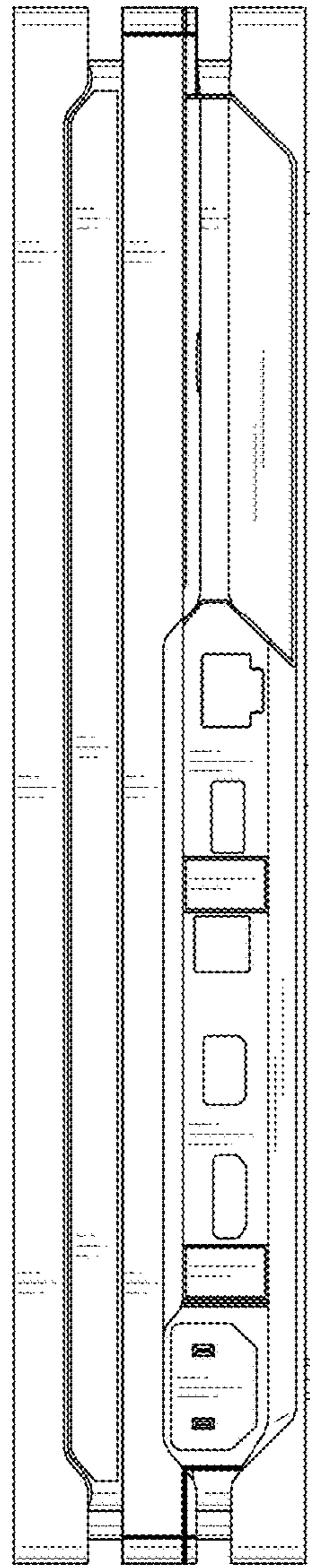
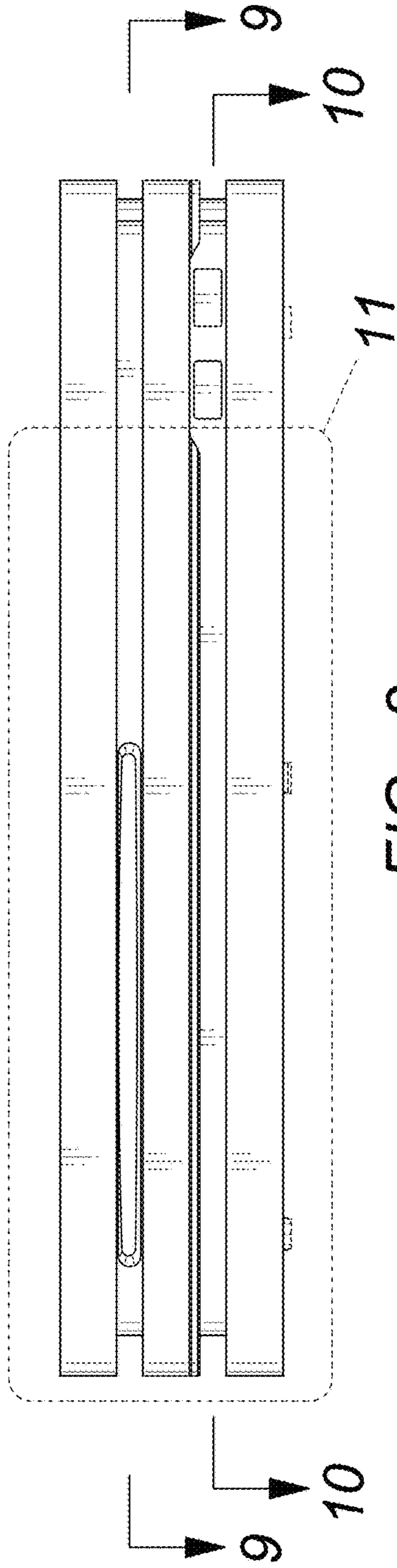


FIG. 2



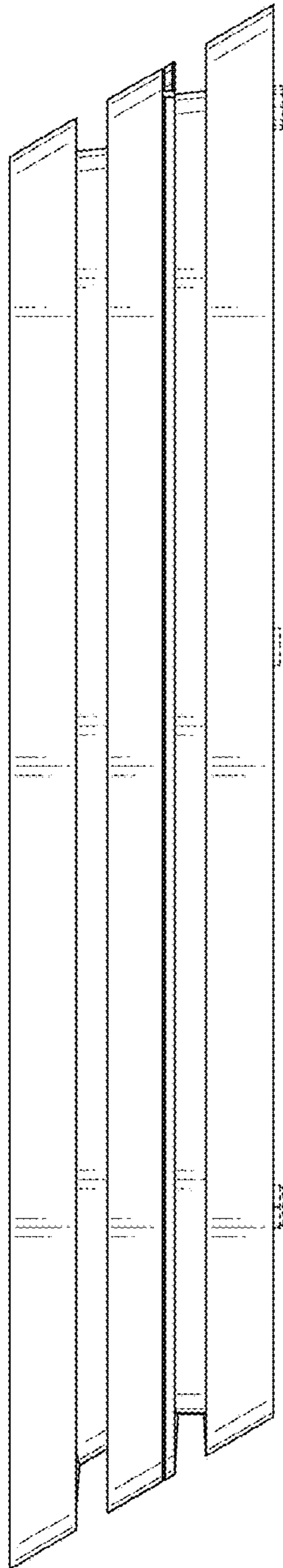


FIG. 5

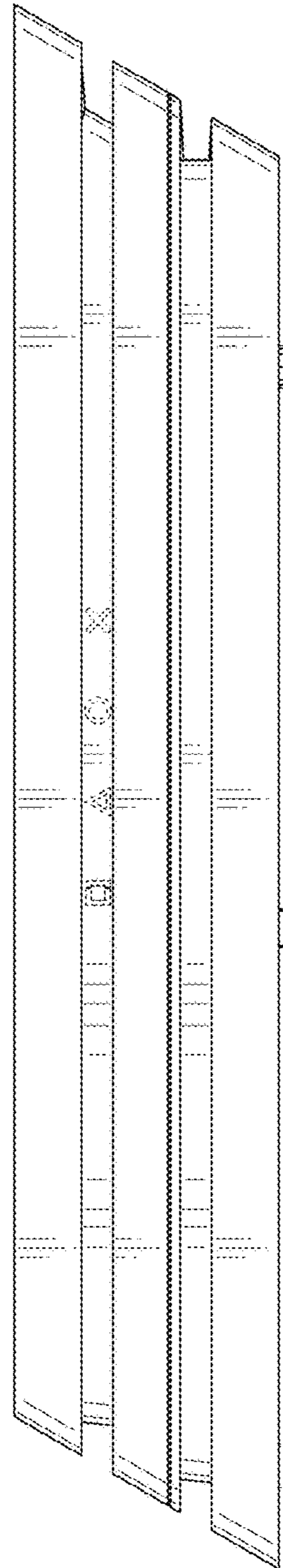


FIG. 6

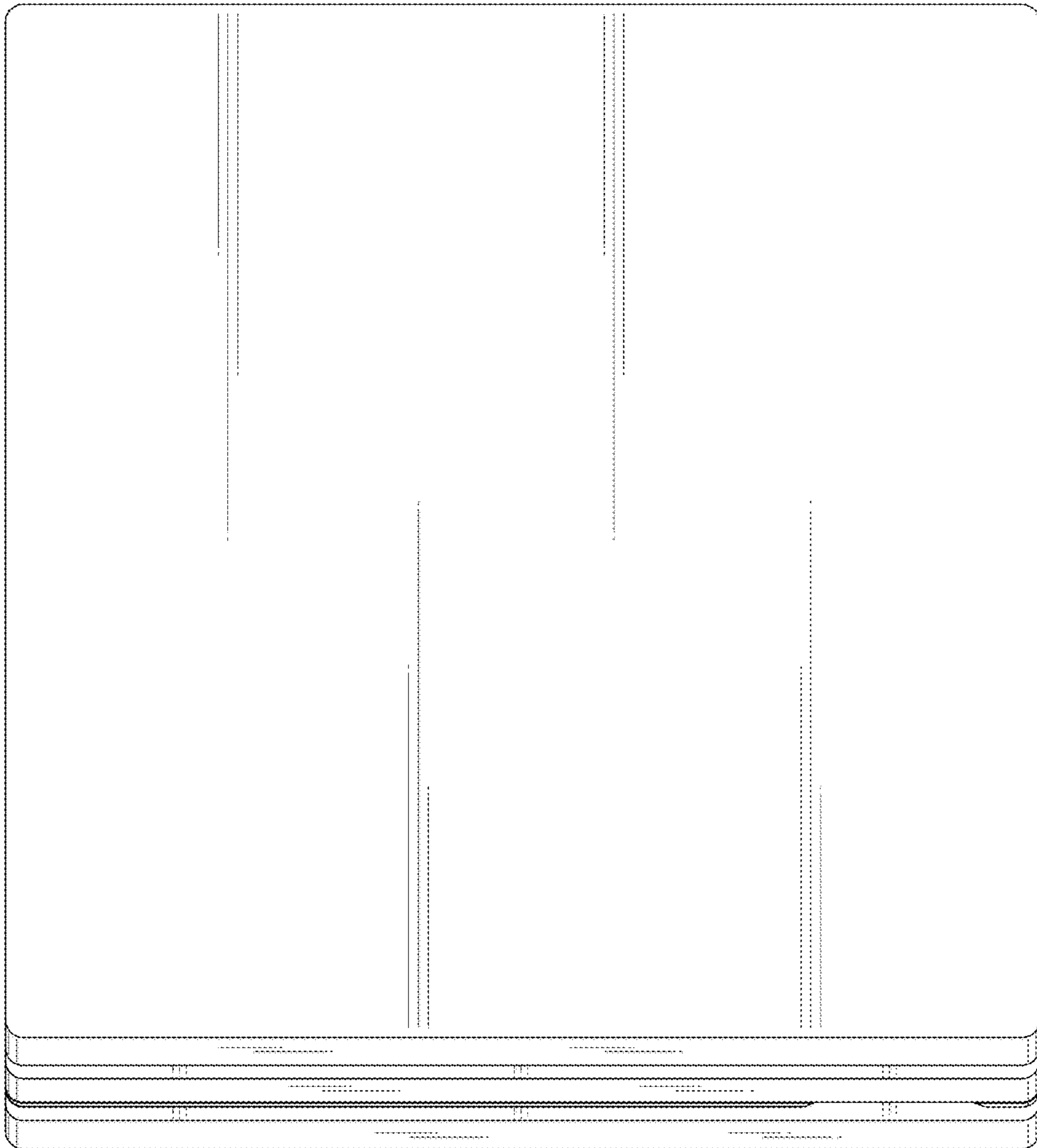


FIG. 7

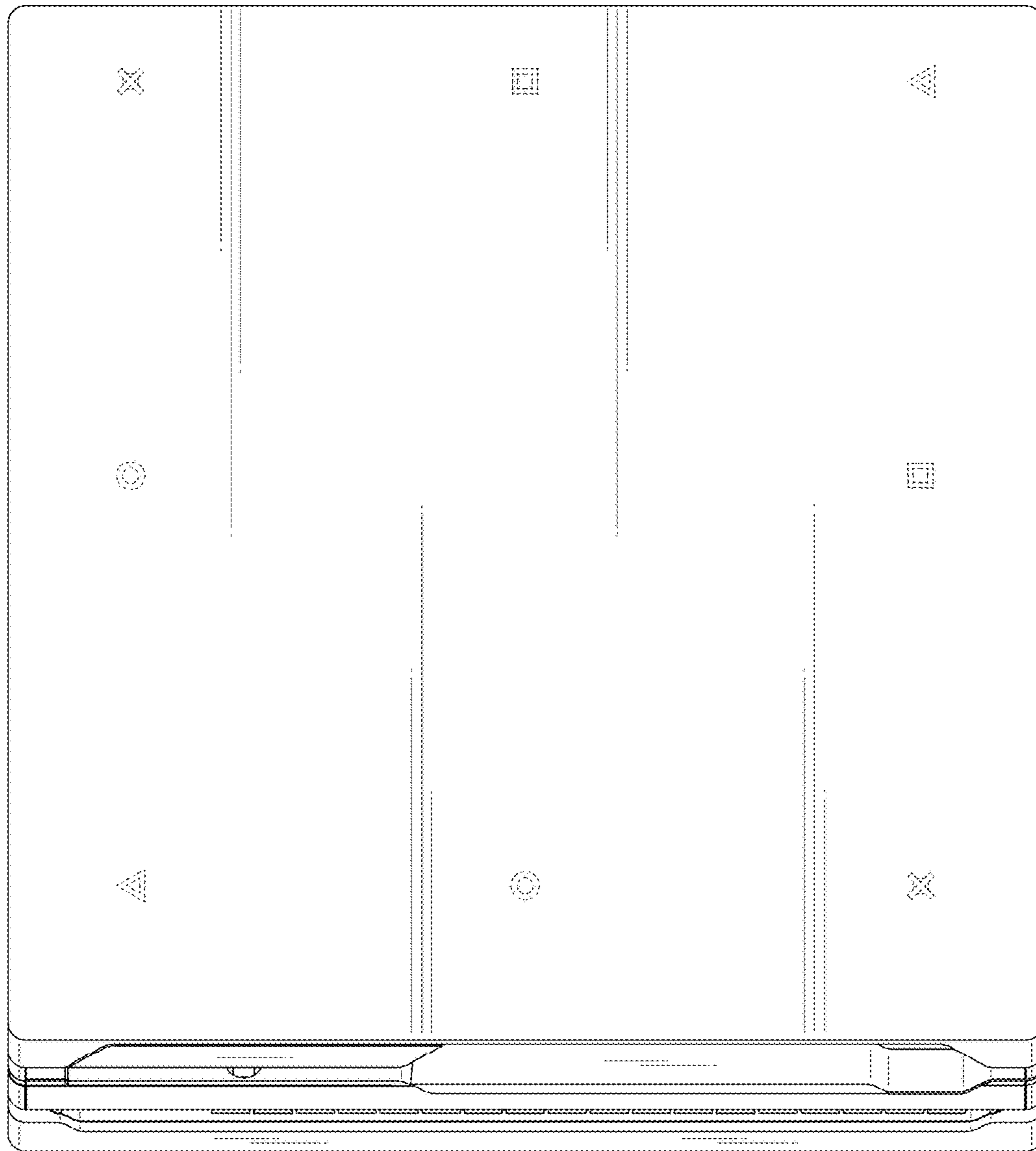


FIG. 8

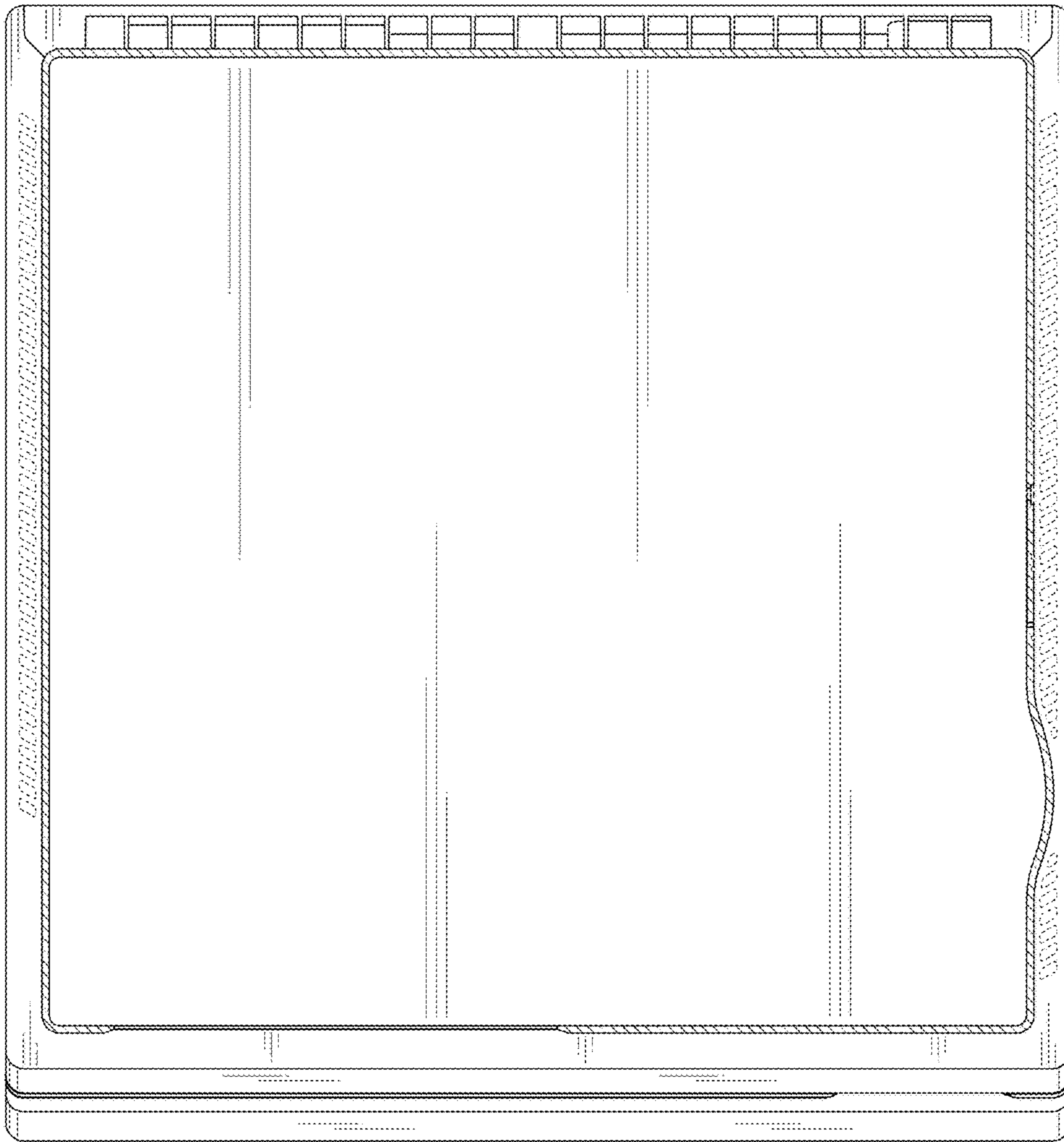


FIG. 9

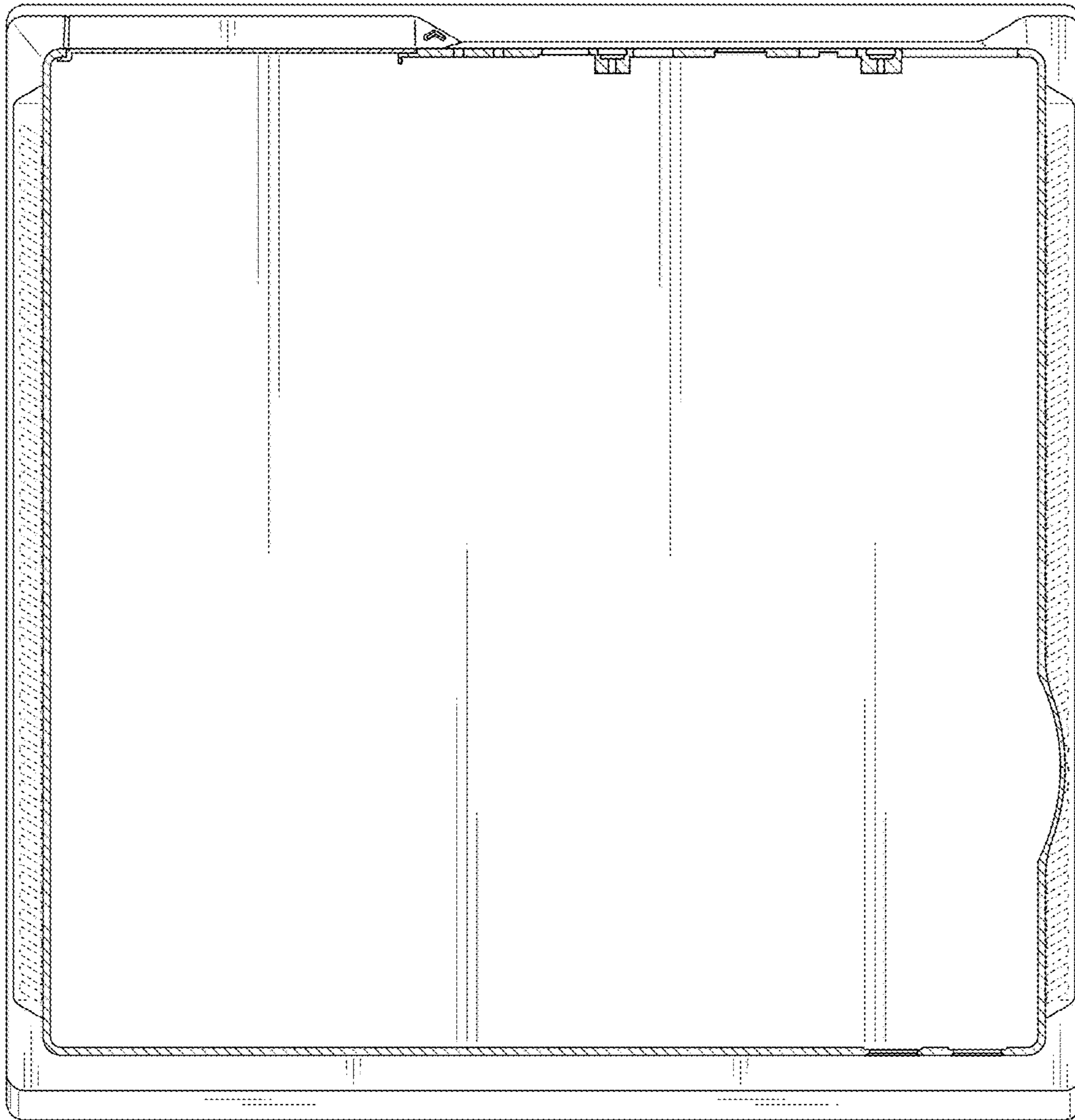


FIG. 10

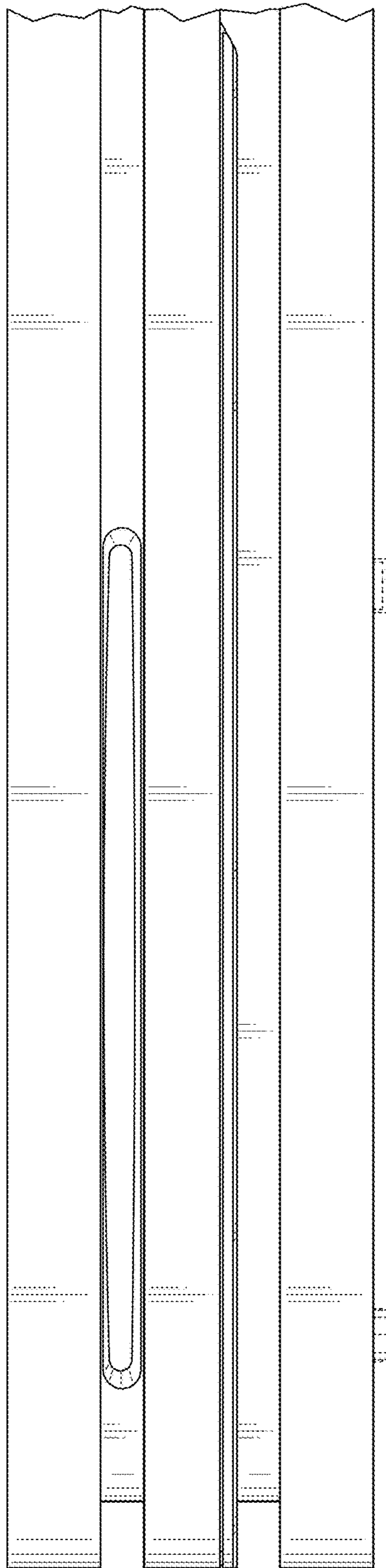


FIG. 11