



US00D821500S

(12) **United States Design Patent**
Desmarteau

(10) **Patent No.:** **US D821,500 S**
(45) **Date of Patent:** **** Jun. 26, 2018**

(54) **GAME APPARATUS**

(71) Applicant: **Eric Desmarteau**, Marieville (CA)

(72) Inventor: **Eric Desmarteau**, Marieville (CA)

(**) Term: **15 Years**

(21) Appl. No.: **29/600,074**

(22) Filed: **Apr. 10, 2017**

(51) **LOC (11) Cl.** **21-01**

(52) **U.S. Cl.**
USPC **D21/312**

(58) **Field of Classification Search**
USPC D21/300, 312–321, 333, 324 M, 328,
D21/334, 338; D10/30; 273/108, 108.1,
273/123 R, 236, 237, 148 R, 459–451;
463/1, 46, 47
CPC A63F 1/04; A63F 3/00; A63F 7/00; A63F
7/06; A63F 7/0088
See application file for complete search history.

(56) **References Cited**

U.S. PATENT DOCUMENTS

D141,883 S *	7/1945	Sewell	D21/312
D207,540 S *	5/1967	Hengle	D21/314
3,338,576 A *	8/1967	Vytantas	A63F 7/0088 273/108.56
D262,732 S *	1/1982	Warren	D22/119
4,775,152 A *	10/1988	Roehl	A63F 7/0668 273/108.1
4,871,170 A *	10/1989	Carini	A63F 7/0668 273/108.1
D349,303 S *	8/1994	Kaplan	D21/312

D367,294 S *	2/1996	Shoemaker, Jr.	D21/312
D540,880 S *	4/2007	Reilly	D21/300
8,616,551 B2 *	12/2013	Swalley	A63F 7/0017 273/108.1
D793,479 S *	8/2017	Youssef	D21/331
D793,873 S *	8/2017	Lasserre	D10/30

* cited by examiner

Primary Examiner — Prabhakar G Deshmukh
(74) *Attorney, Agent, or Firm* — Hovey Williams LLP

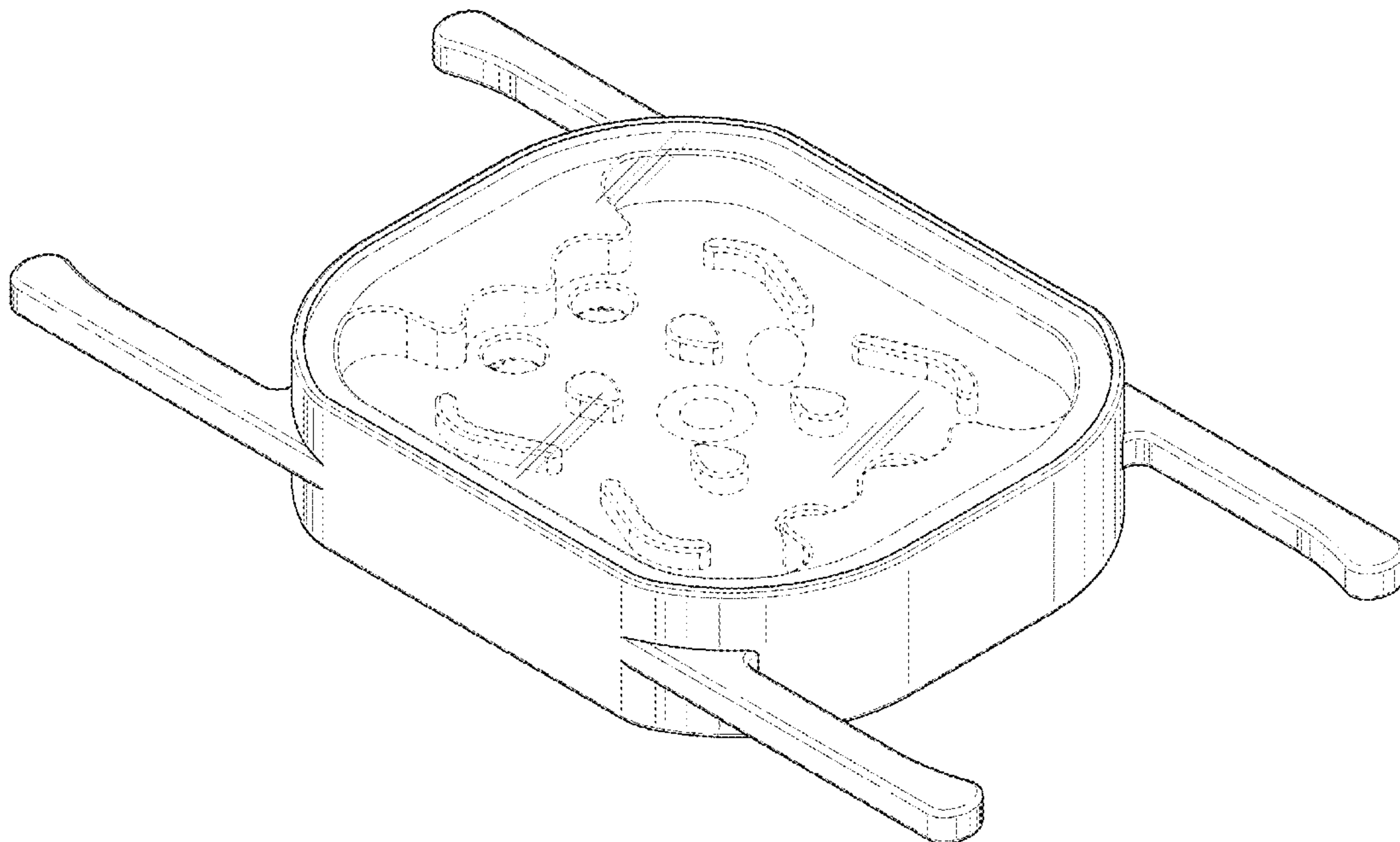
(57) **CLAIM**

The ornamental design for a game apparatus, as shown and described.

DESCRIPTION

FIG. 1 is a top perspective view of a game apparatus embodying my design;
FIG. 2 is a bottom perspective view of the game apparatus shown in FIG. 1;
FIG. 3 is a top view of the game apparatus shown in FIGS. 1 and 2;
FIG. 4 is a bottom view of the game apparatus shown in FIGS. 1-3;
FIG. 5 is a front elevation view of the game apparatus shown in FIGS. 1-4, with the rear elevation view being a mirror image thereof; and,
FIG. 6 is a side elevation view of the game apparatus shown in FIGS. 1-5, with the opposite side elevation view being a mirror image thereof.
The broken lines are directed to environment and/or are for illustrative purposes only. None of the broken lines form part of the claimed design.

1 Claim, 6 Drawing Sheets



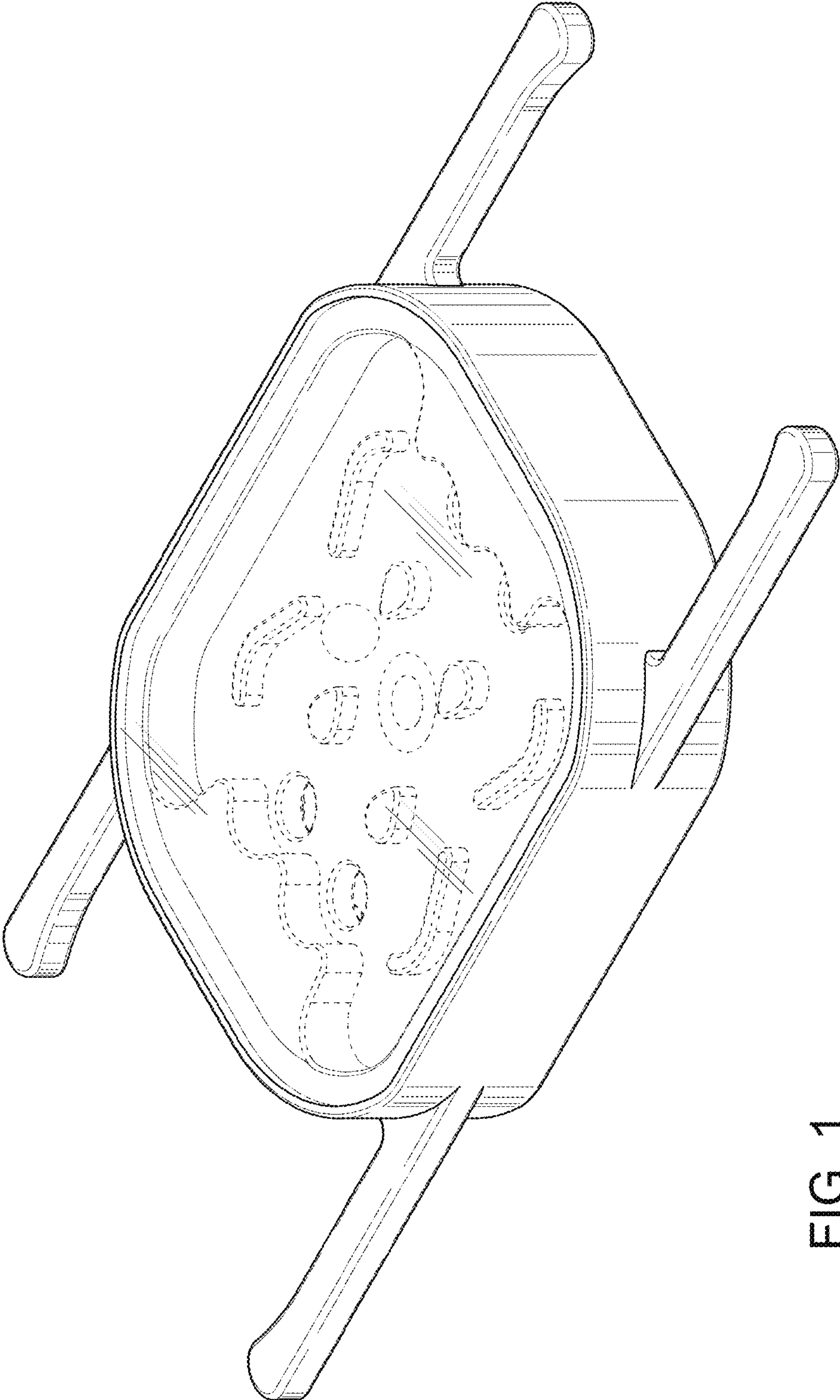


FIG. 1

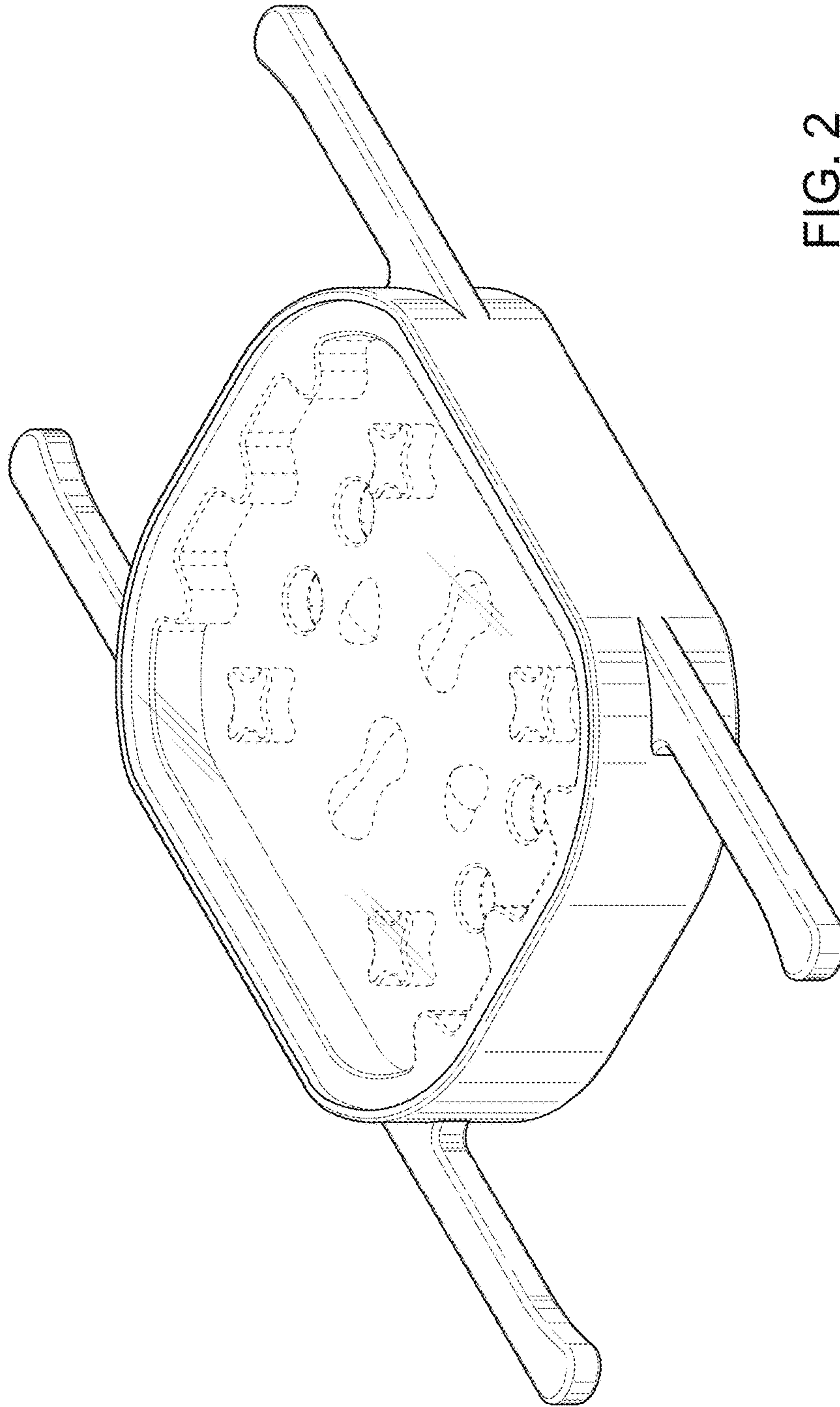


FIG. 2

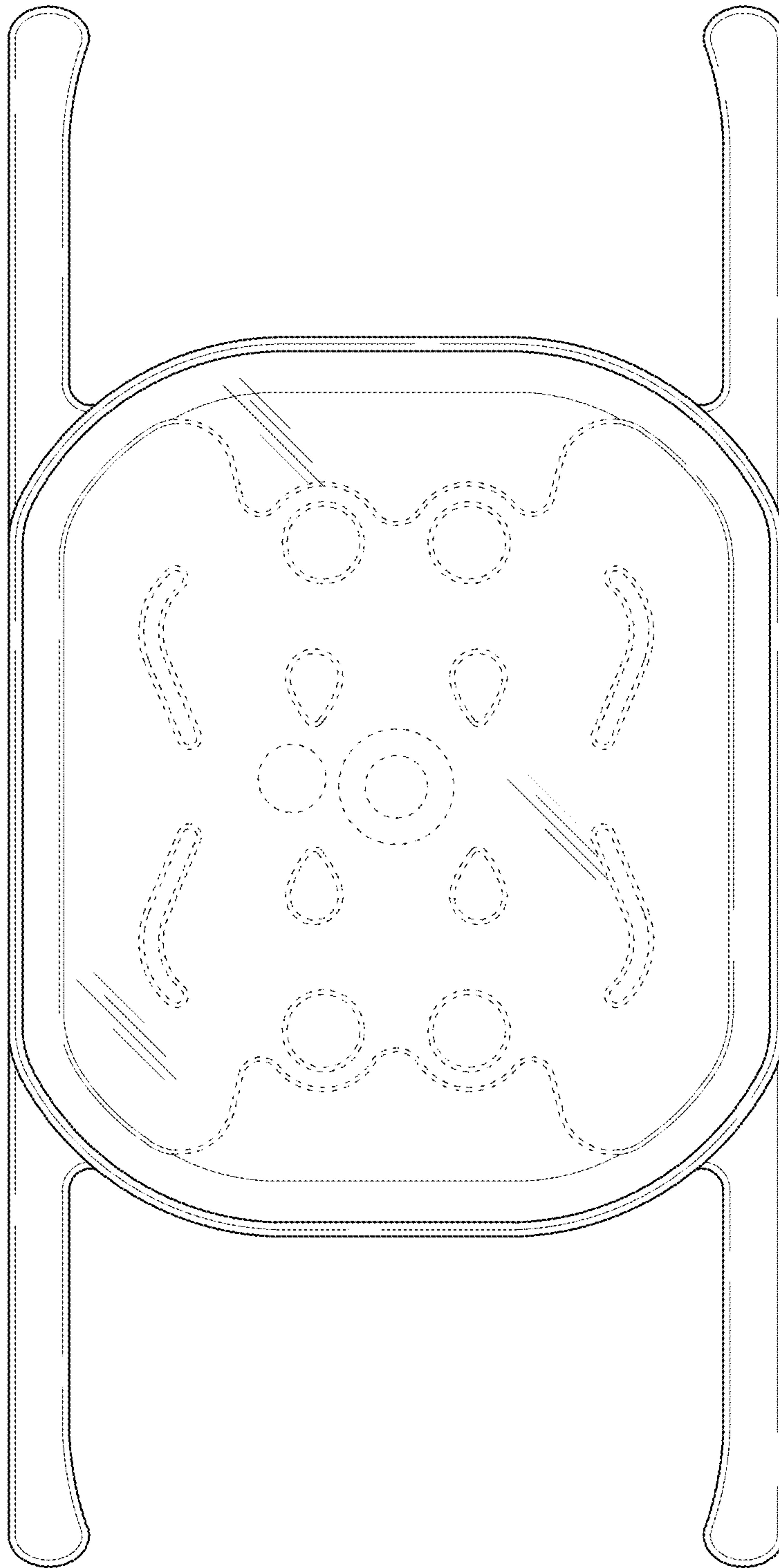


FIG. 3

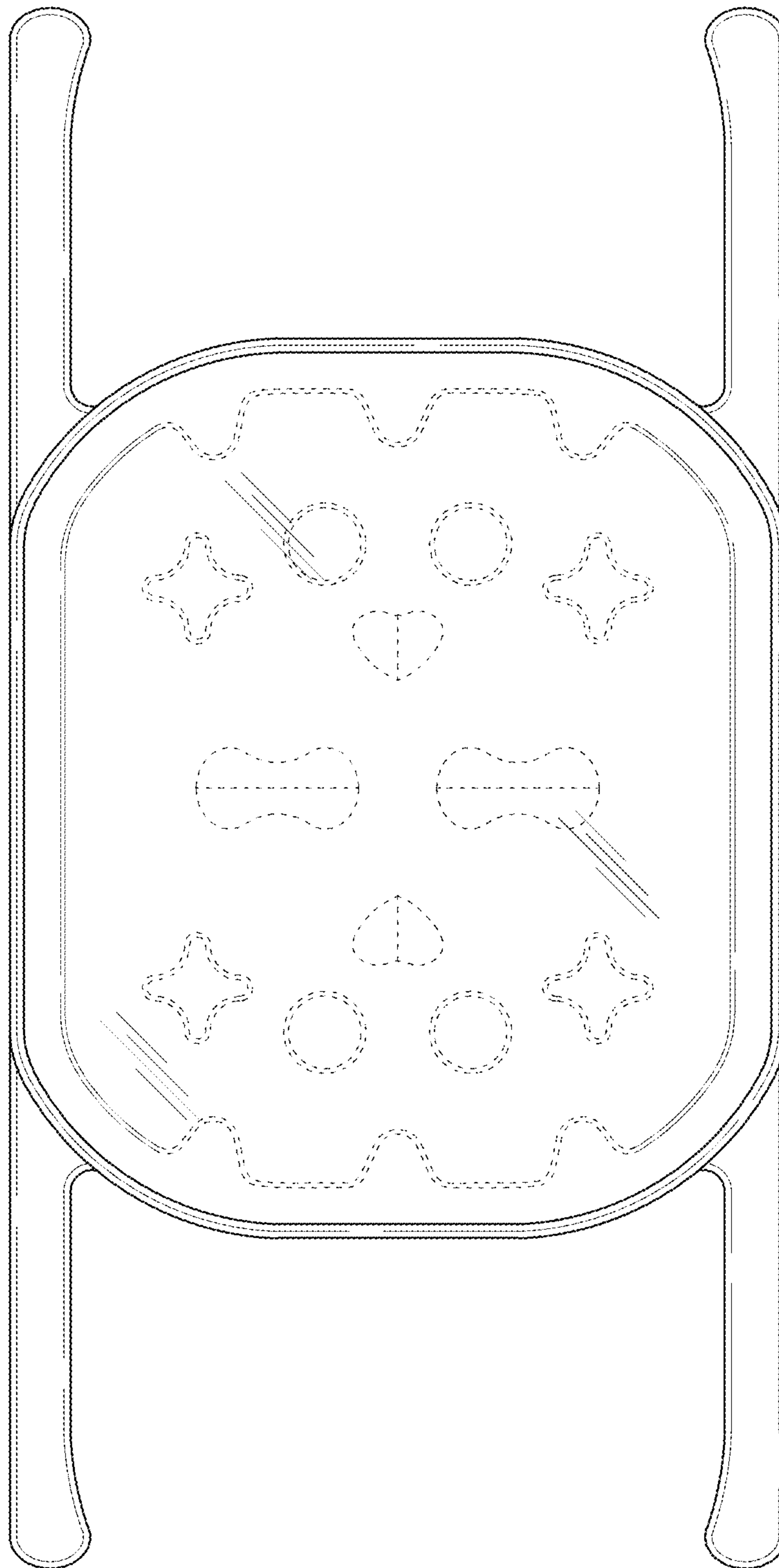


FIG. 4

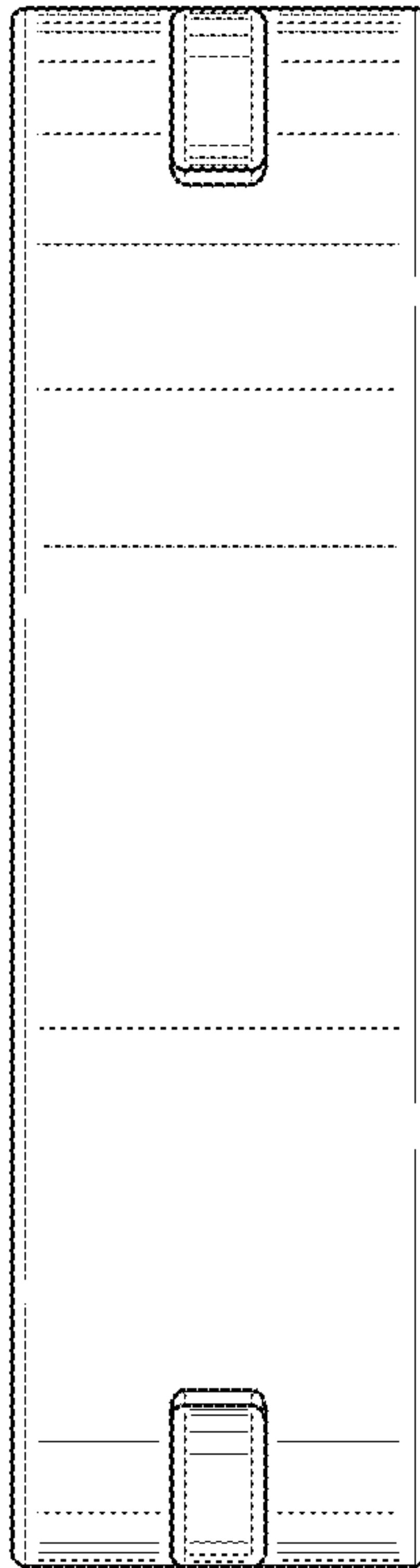


FIG. 5

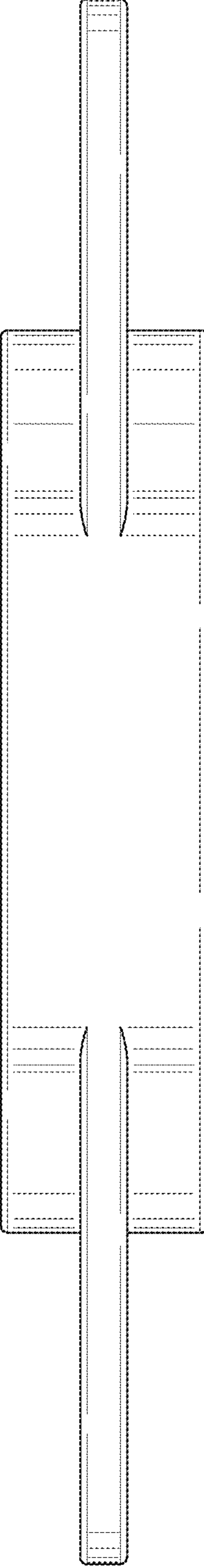


FIG. 6