



US00D821497S

(12) **United States Design Patent**  
**Cai et al.**

(10) **Patent No.:** **US D821,497 S**  
(45) **Date of Patent:** **\*\* Jun. 26, 2018**

- (54) **LED DISPLAY**
- (71) Applicant: **ROE Visual Co., Ltd.**, Shenzhen, Guangdong (CN)
- (72) Inventors: **Danhu Cai**, Guangdong (CN); **Zhanqiang Li**, Guangdong (CN); **Jun Li**, Guangdong (CN); **Hong Zhang**, Guangdong (CN)
- (73) Assignee: **ROE Visual Co., Ltd.**, Shenzhen (CN)
- (\*\*) Term: **15 Years**
- (21) Appl. No.: **29/585,915**
- (22) Filed: **Nov. 30, 2016**
- (30) **Foreign Application Priority Data**

Jun. 1, 2016 (CN) ..... 2016 3 0217248

- (51) **LOC (11) Cl.** ..... **20-03**
- (52) **U.S. Cl.**  
USPC ..... **D20/42**
- (58) **Field of Classification Search**  
USPC ..... D20/10, 11, 21-28, 37, 39-42, 99;  
D14/374, 126  
CPC ..... G09F 1/00; G09F 1/02; G09F 2003/023;  
G09F 2003/0261; G09F 2003/0264; G09F  
7/00; G09F 3/206; G09F 13/00; G09F  
2007/1807; G09F 13/04; G09F  
2013/0427; G09F 2013/0495; G09F 7/04;  
G09F 13/20; G09D 3/00  
See application file for complete search history.

(56) **References Cited**  
U.S. PATENT DOCUMENTS

|            |   |         |         |       |        |
|------------|---|---------|---------|-------|--------|
| D497,648 S | * | 10/2004 | Carlson | ..... | D20/10 |
| D503,745 S | * | 4/2005  | Yasuoka | ..... | D20/10 |
| D613,338 S | * | 4/2010  | Marukos | ..... | D20/10 |

|              |   |         |            |       |                       |
|--------------|---|---------|------------|-------|-----------------------|
| D614,170 S   | * | 4/2010  | Nakashima  | ..... | D14/214               |
| D626,599 S   | * | 11/2010 | Ogawa      | ..... | D19/113               |
| D635,189 S   | * | 3/2011  | Bolt       | ..... | D14/374               |
| D637,651 S   | * | 5/2011  | Hase       | ..... | D20/42                |
| D645,467 S   | * | 9/2011  | Mitsubishi | ..... | D14/374               |
| D662,146 S   | * | 6/2012  | Podd       | ..... | D20/42                |
| 8,562,200 B2 | * | 10/2013 | Park       | ..... | G02B 6/0091<br>349/58 |
| D702,682 S   | * | 4/2014  | Xu         | ..... | D14/371               |
| D709,469 S   | * | 7/2014  | Ryu        | ..... | D14/126               |
| D709,470 S   | * | 7/2014  | Ryu        | ..... | D14/126               |
| D709,842 S   | * | 7/2014  | Lee        | ..... | D14/126               |
| D714,389 S   | * | 9/2014  | Lee        | ..... | D20/42                |
| 8,824,125 B1 | * | 9/2014  | Cox        | ..... | G09F 9/33<br>361/622  |
| D714,871 S   | * | 10/2014 | Dysart     | ..... | D20/10                |
| D768,624 S   | * | 10/2016 | Bae        | ..... | D14/331               |
| D785,095 S   | * | 4/2017  | Davis      | ..... | D20/10                |
| D786,246 S   | * | 5/2017  | Park       | ..... | D14/315               |
| 9,709,215 B2 | * | 7/2017  | Yoo        | ..... | F16M 13/02            |

(Continued)

*Primary Examiner* — Mary Ann Calabrese  
*Assistant Examiner* — Sloan Rozin

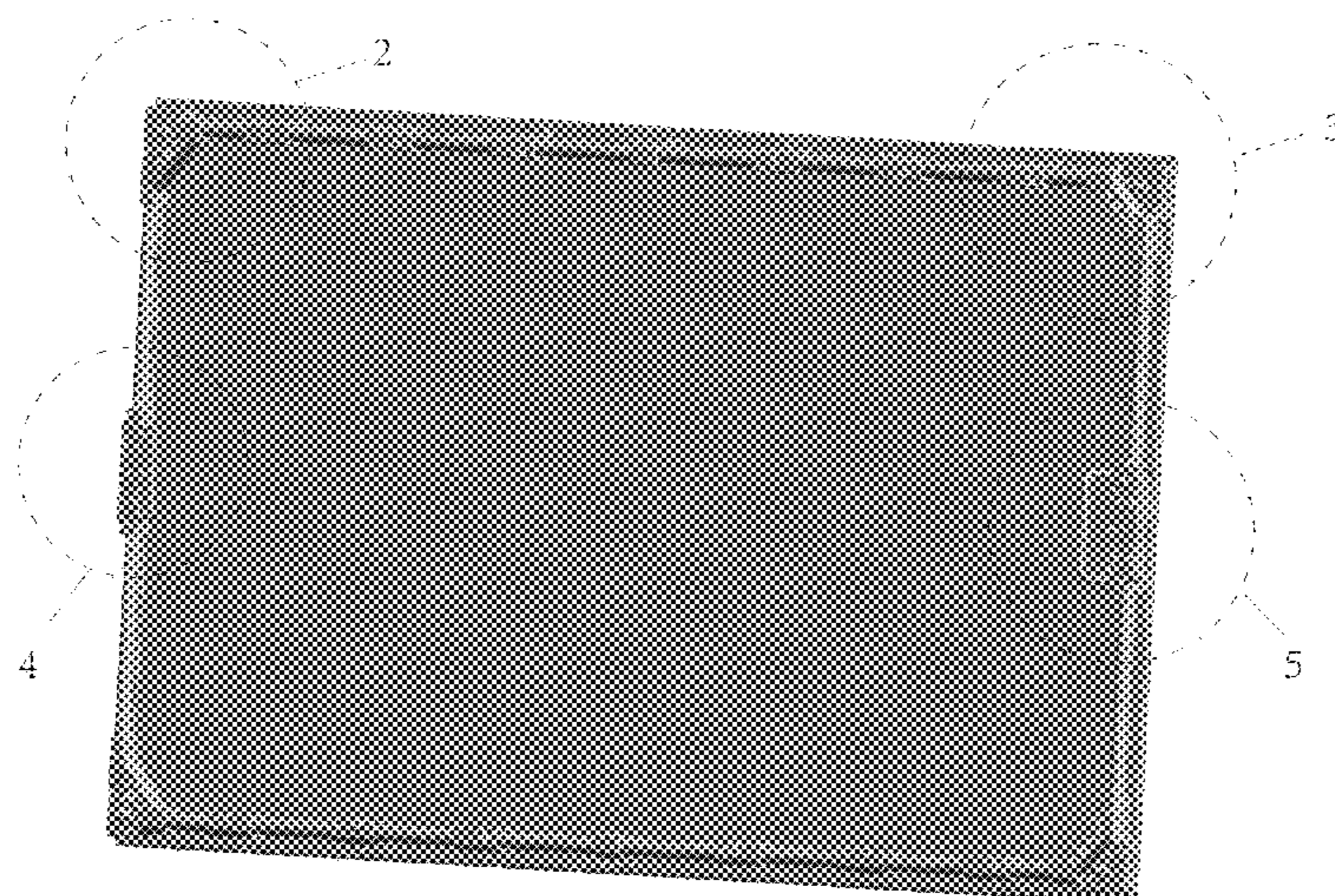
(57) **CLAIM**

The ornamental design for a LED display, as shown and described.

**DESCRIPTION**

FIG. 1 is a first perspective view of a LED Display showing our new design;  
FIG. 2 is an enlarged view of portion 2 of FIG. 1;  
FIG. 3 is an enlarged view of portion 3 of FIG. 1;  
FIG. 4 is an enlarged view of portion 4 of FIG. 1;  
FIG. 5 is an enlarged view of portion 5 of FIG. 1;  
FIG. 6 is a second perspective view of FIG. 1;  
FIG. 7 is an enlarged view of portion 7 of FIG. 6;  
FIG. 8 is an enlarged view of portion 8 of FIG. 6;  
FIG. 9 is an enlarged view of portion 9 of FIG. 6;  
FIG. 10 is an enlarged view of portion 10 of FIG. 6; and,  
FIG. 11 is a third perspective view of FIG. 1.

**1 Claim, 11 Drawing Sheets**





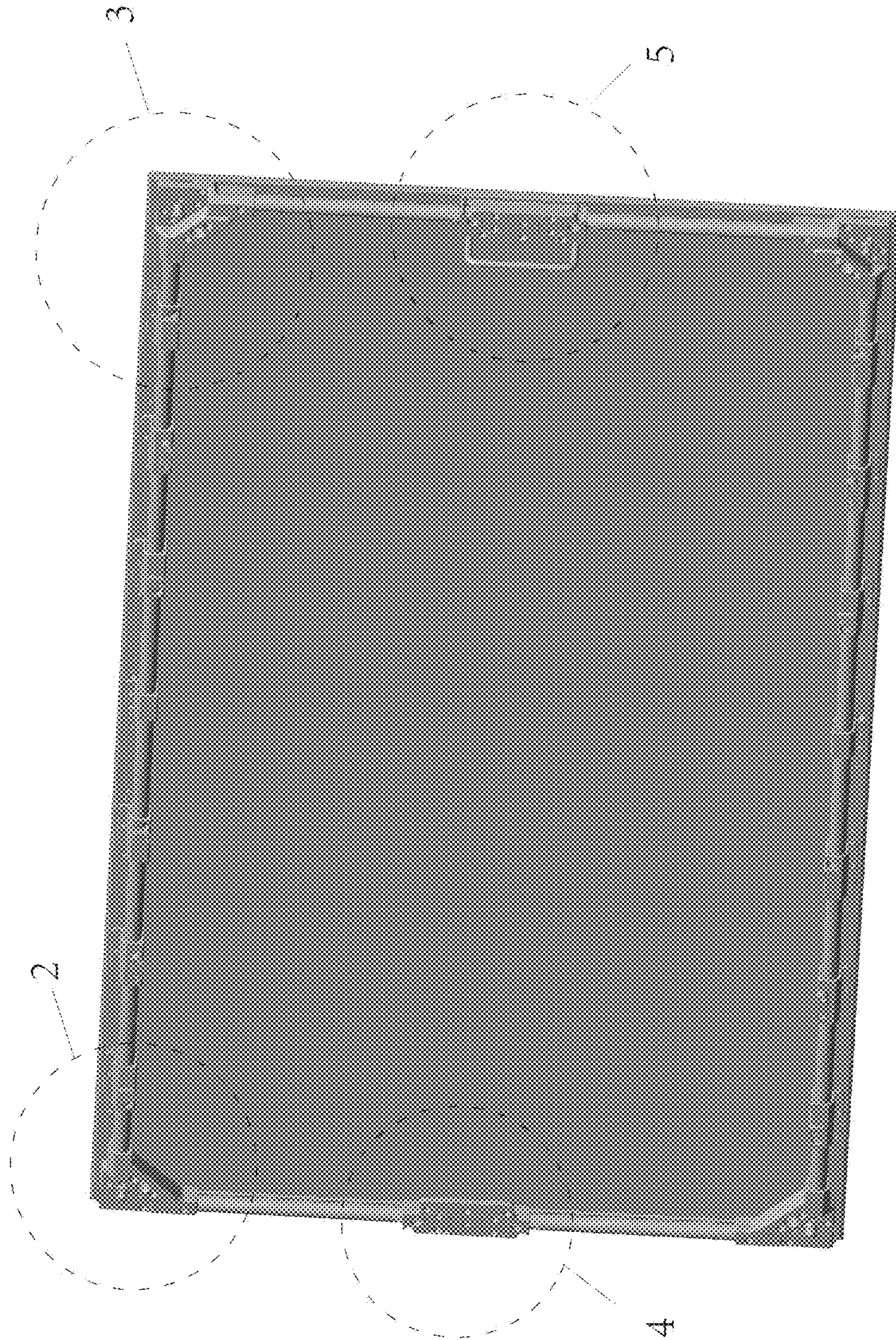


Fig. 1

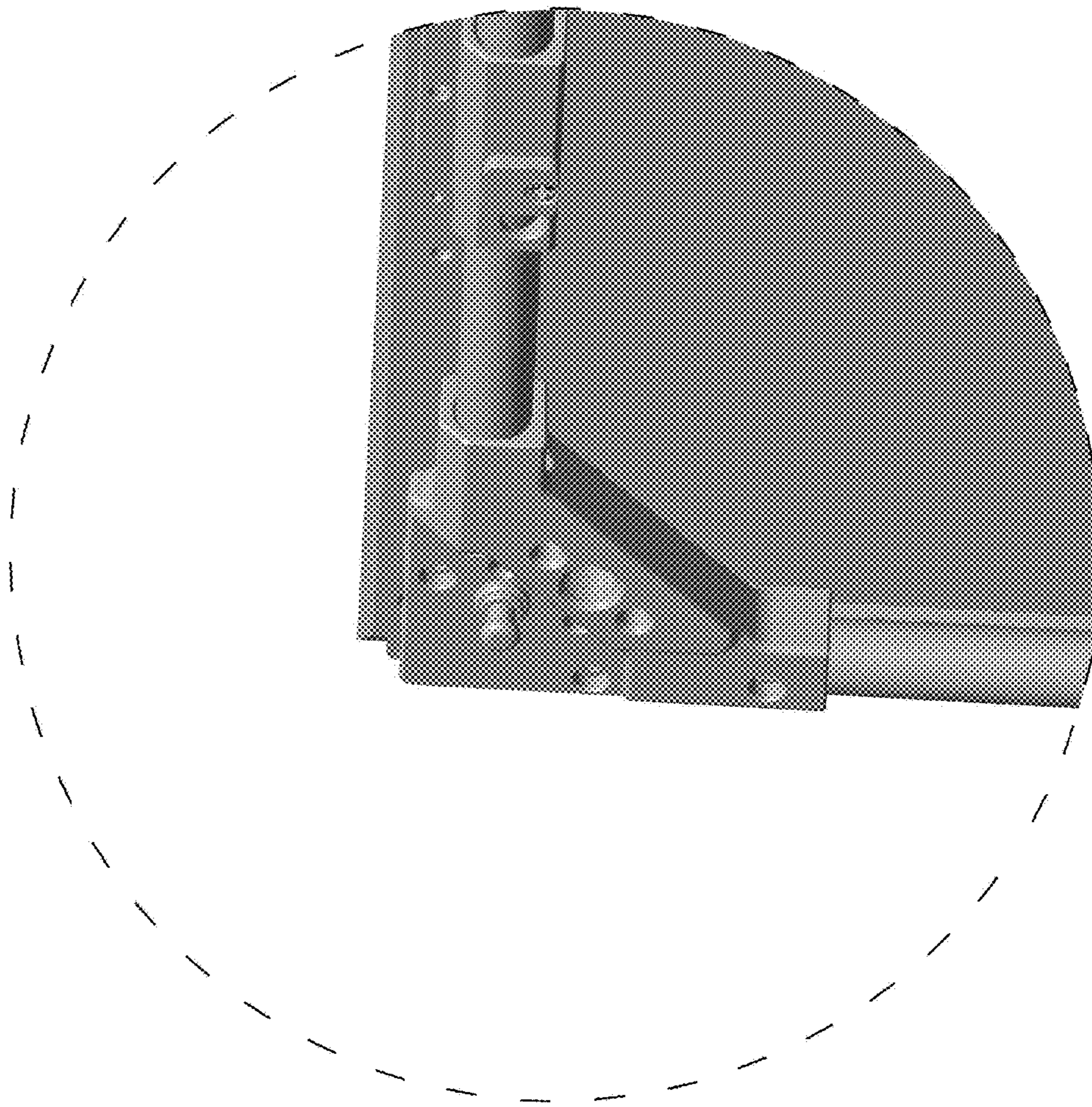


Fig. 2

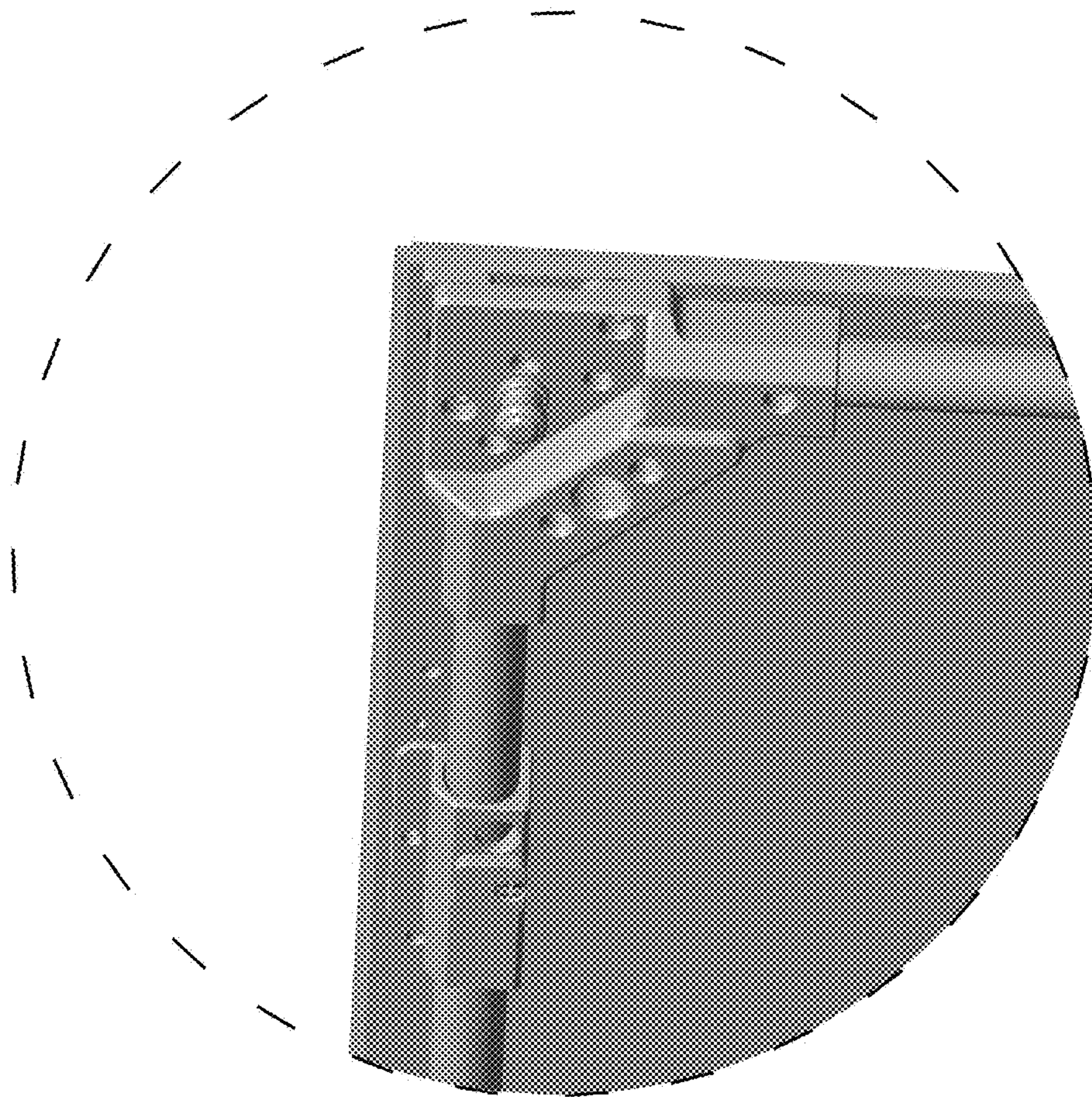


Fig. 3

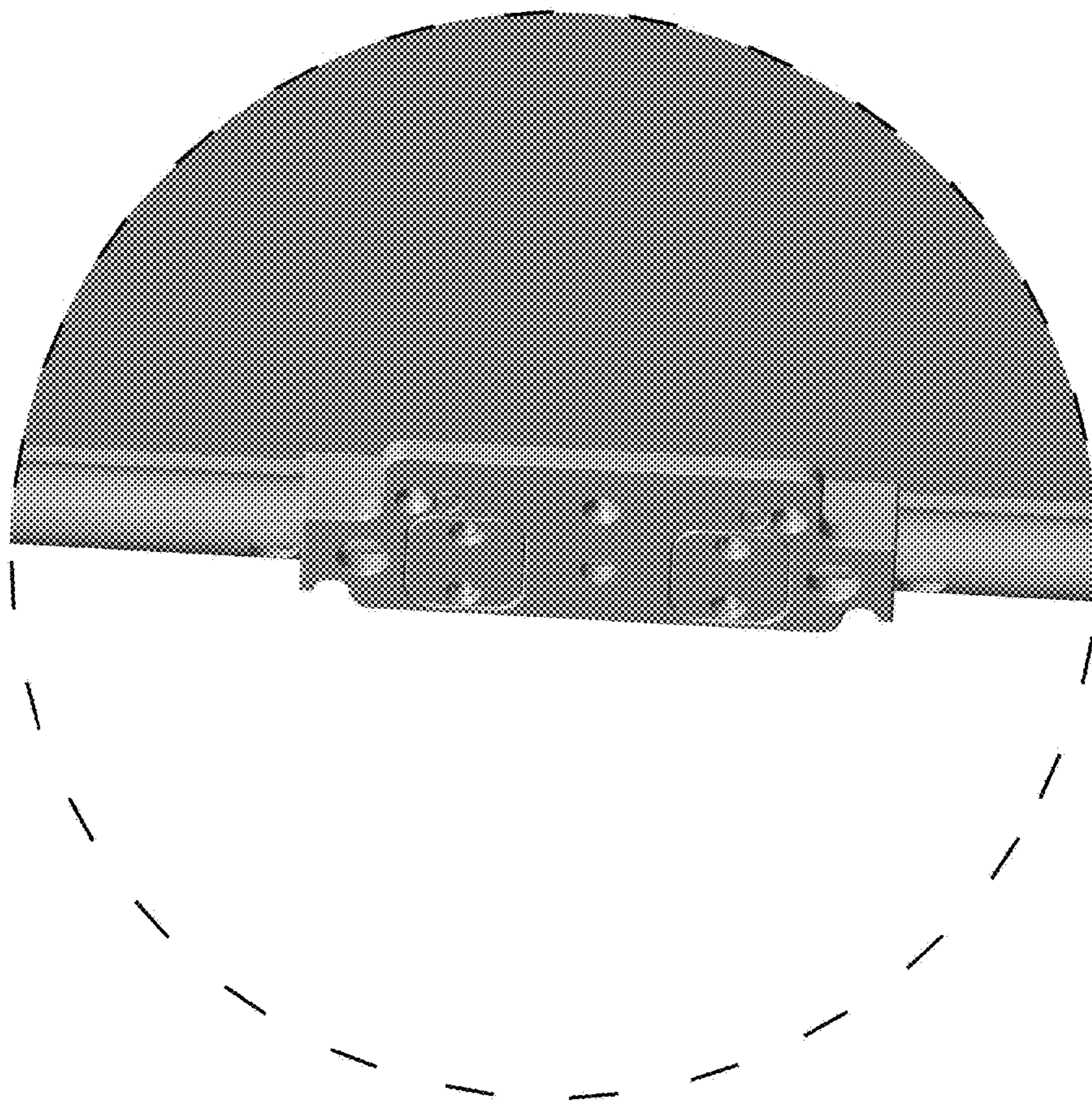


Fig. 4

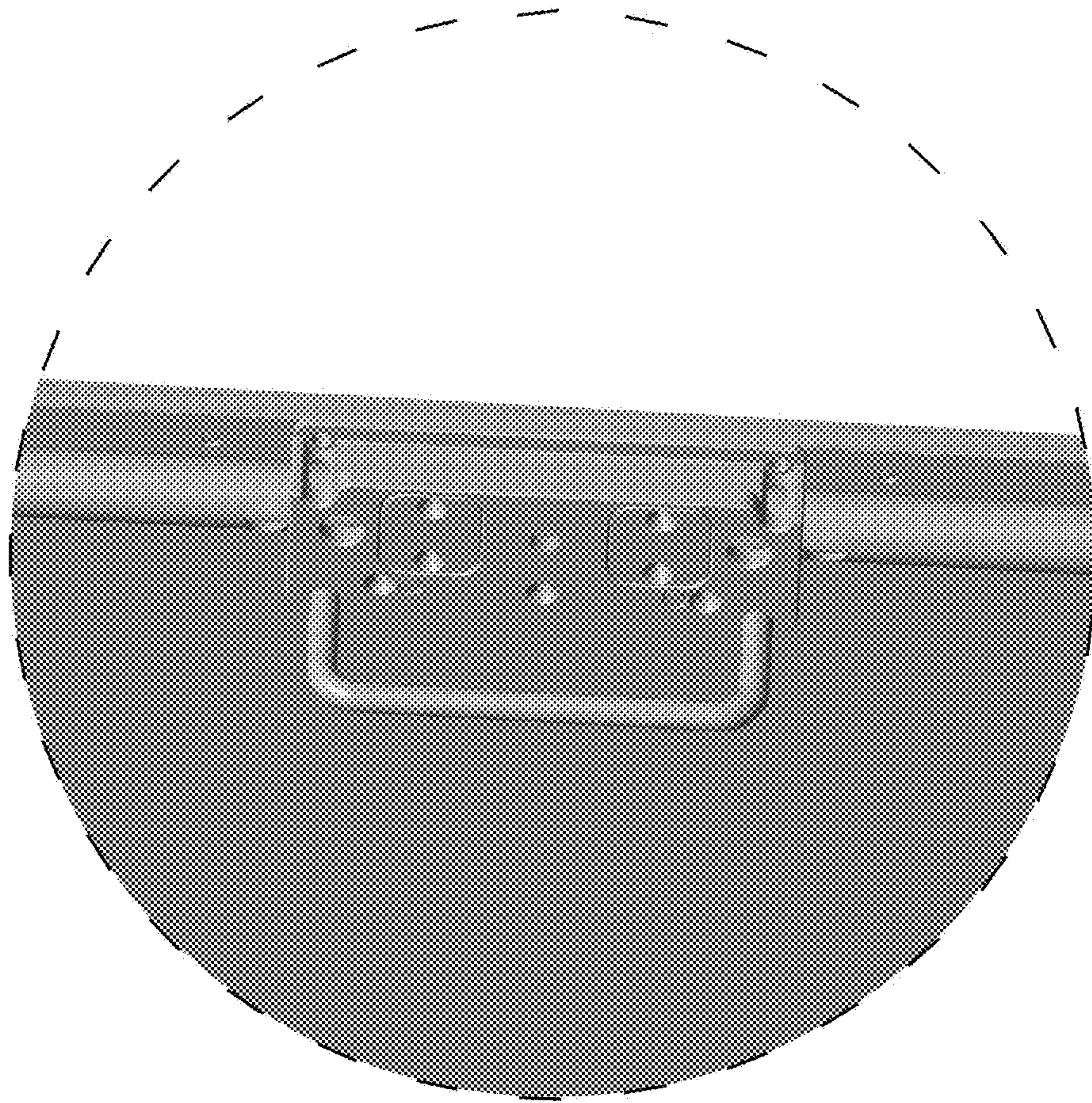


Fig. 5

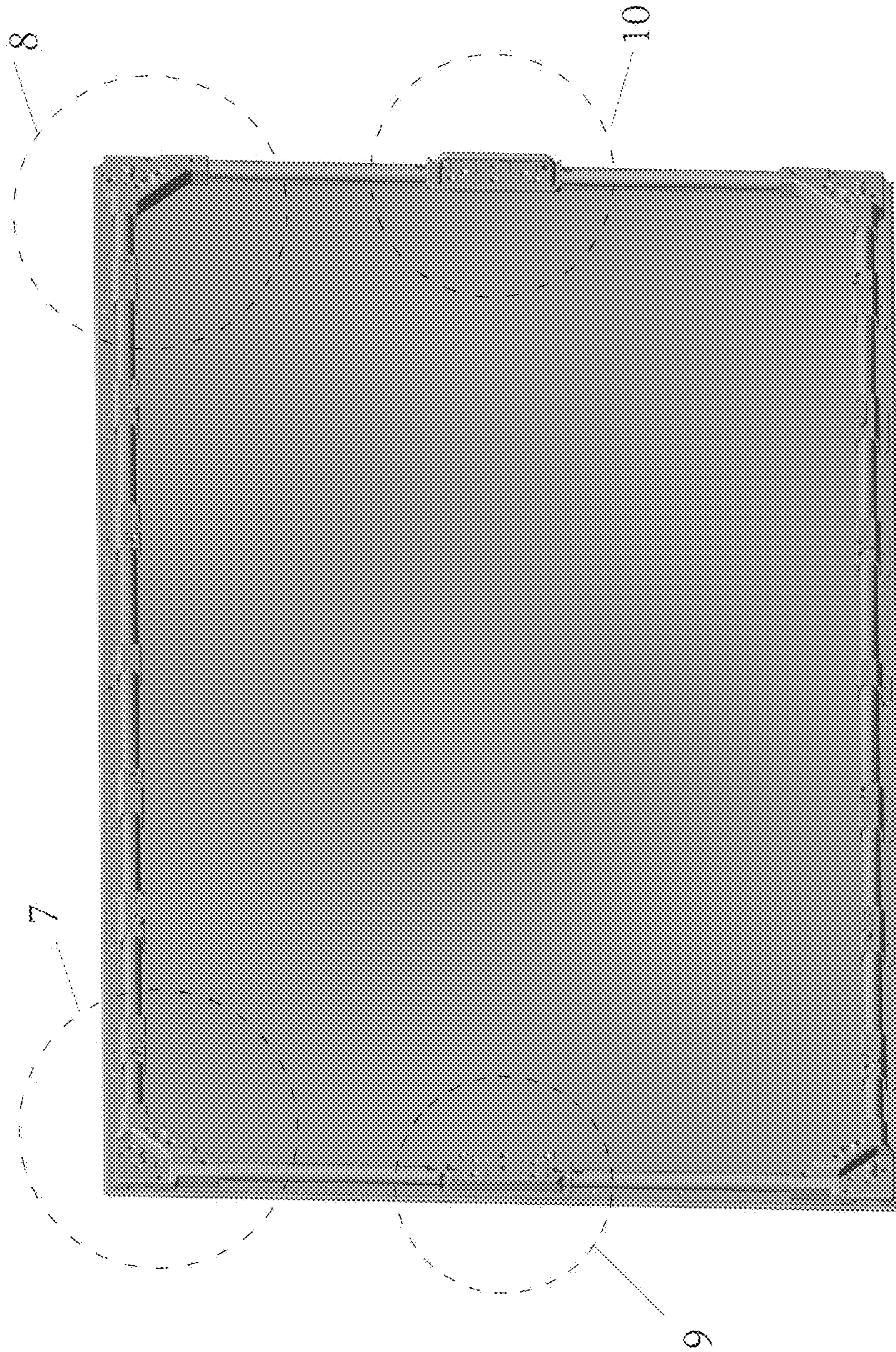


Fig. 6



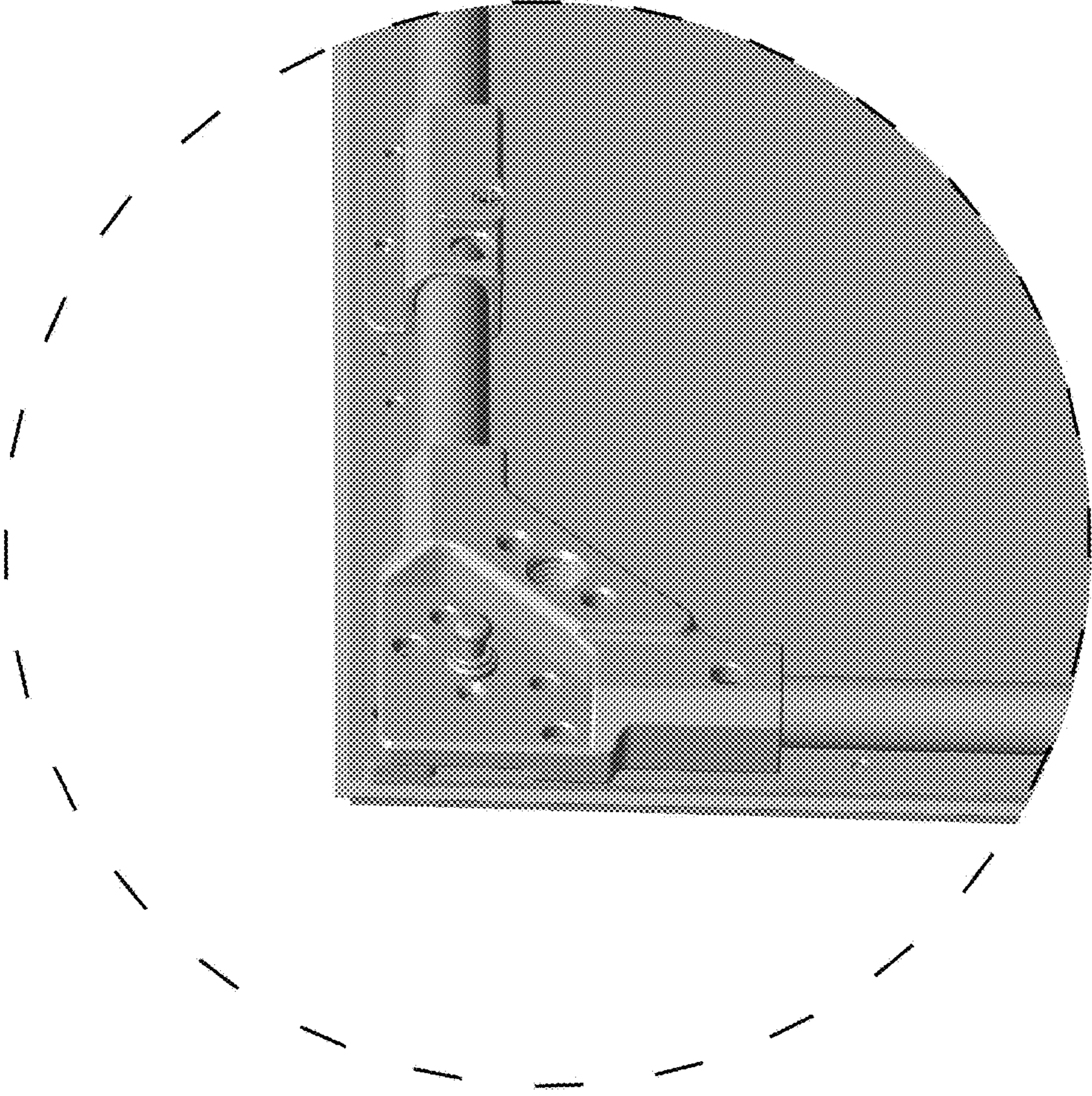


Fig. 7

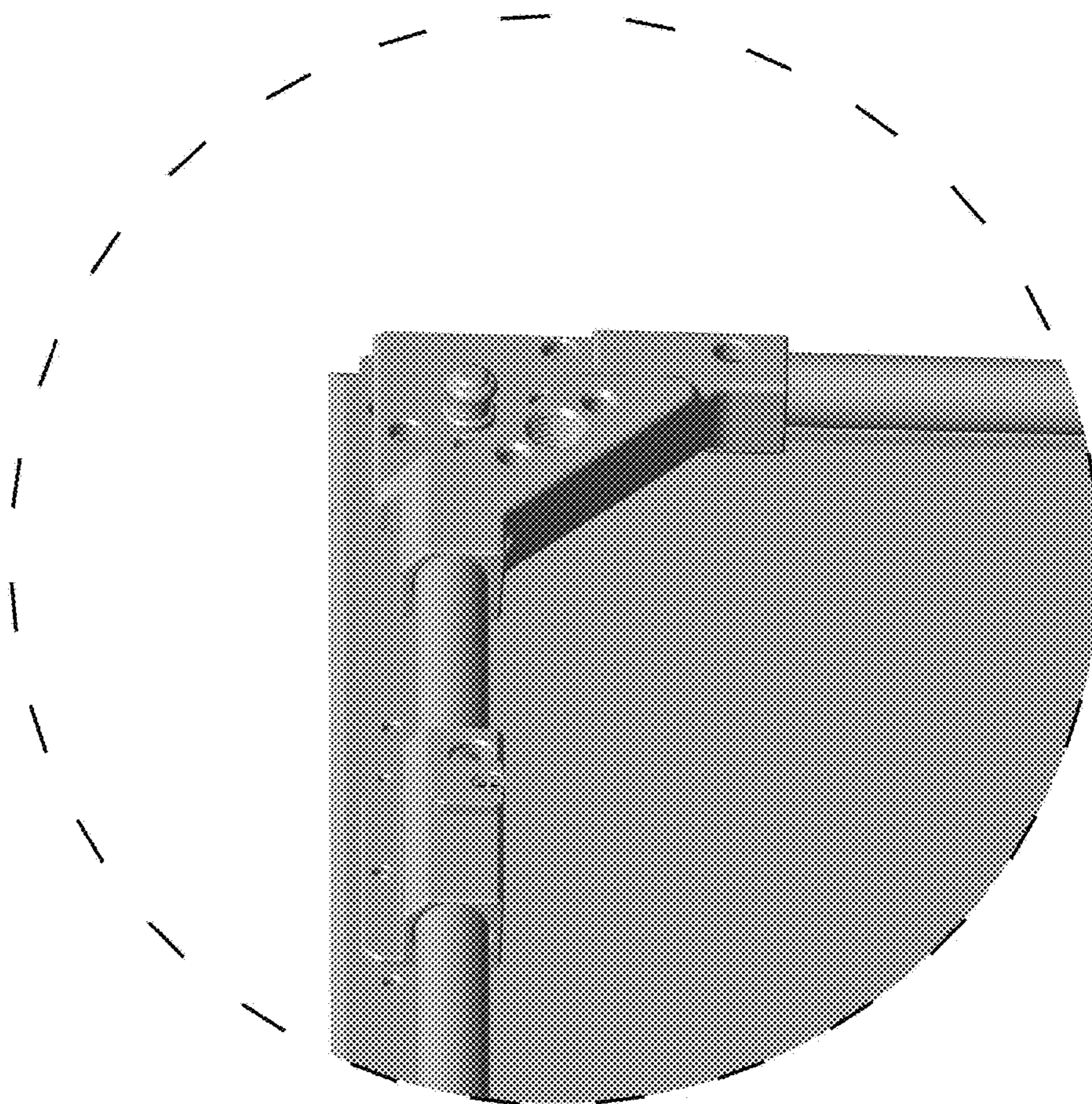


Fig. 8

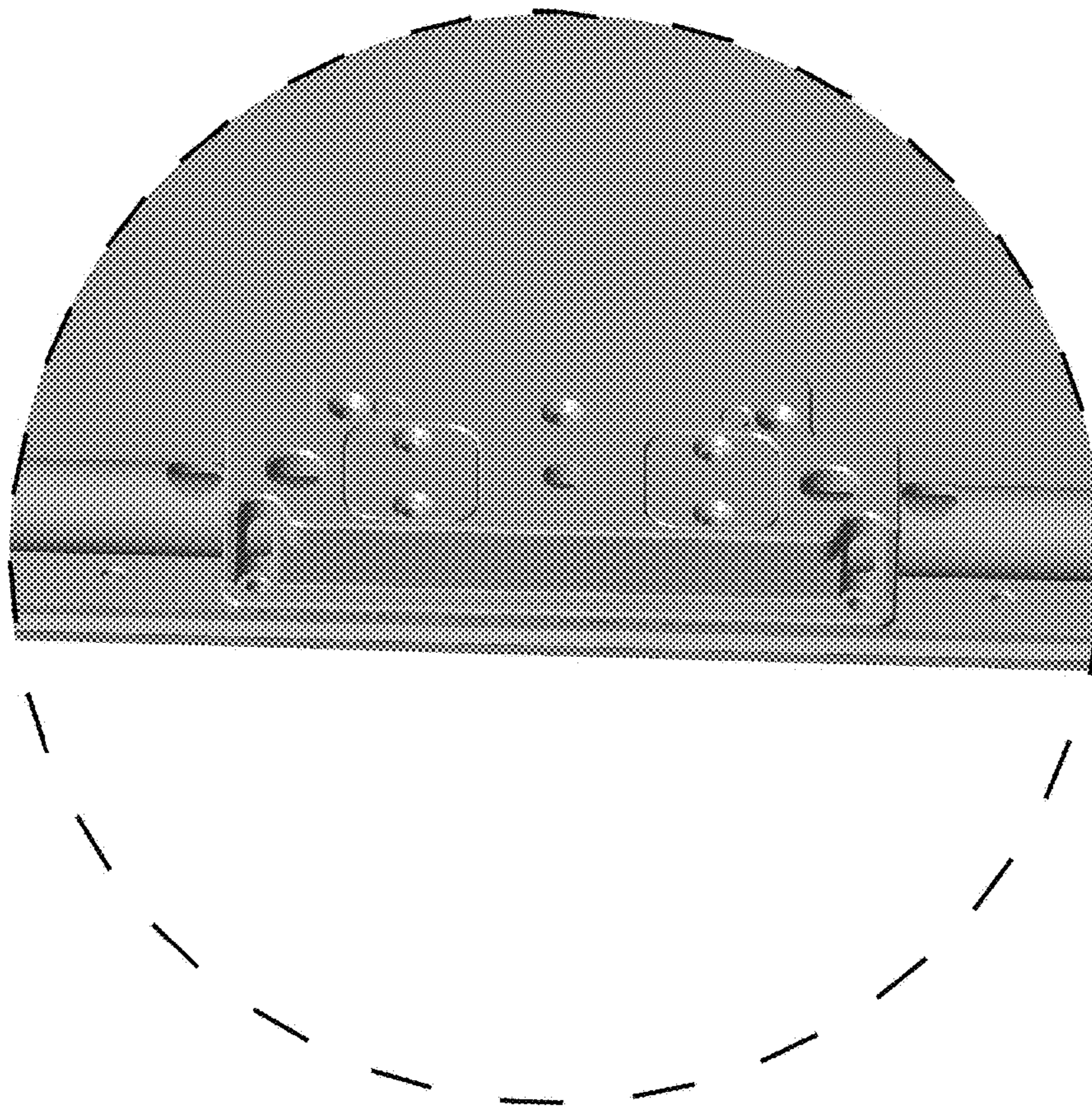


Fig. 9

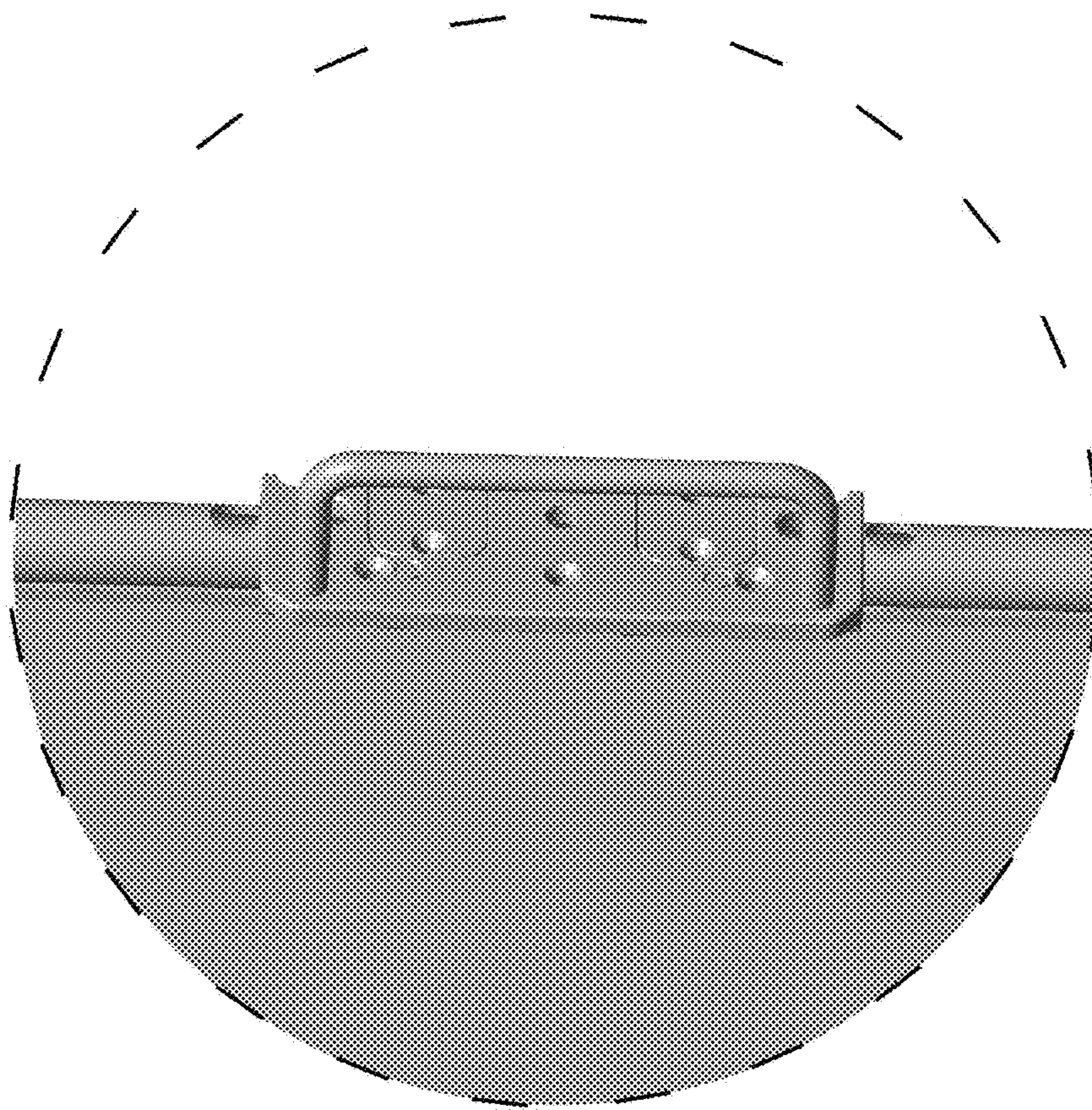


Fig. 10

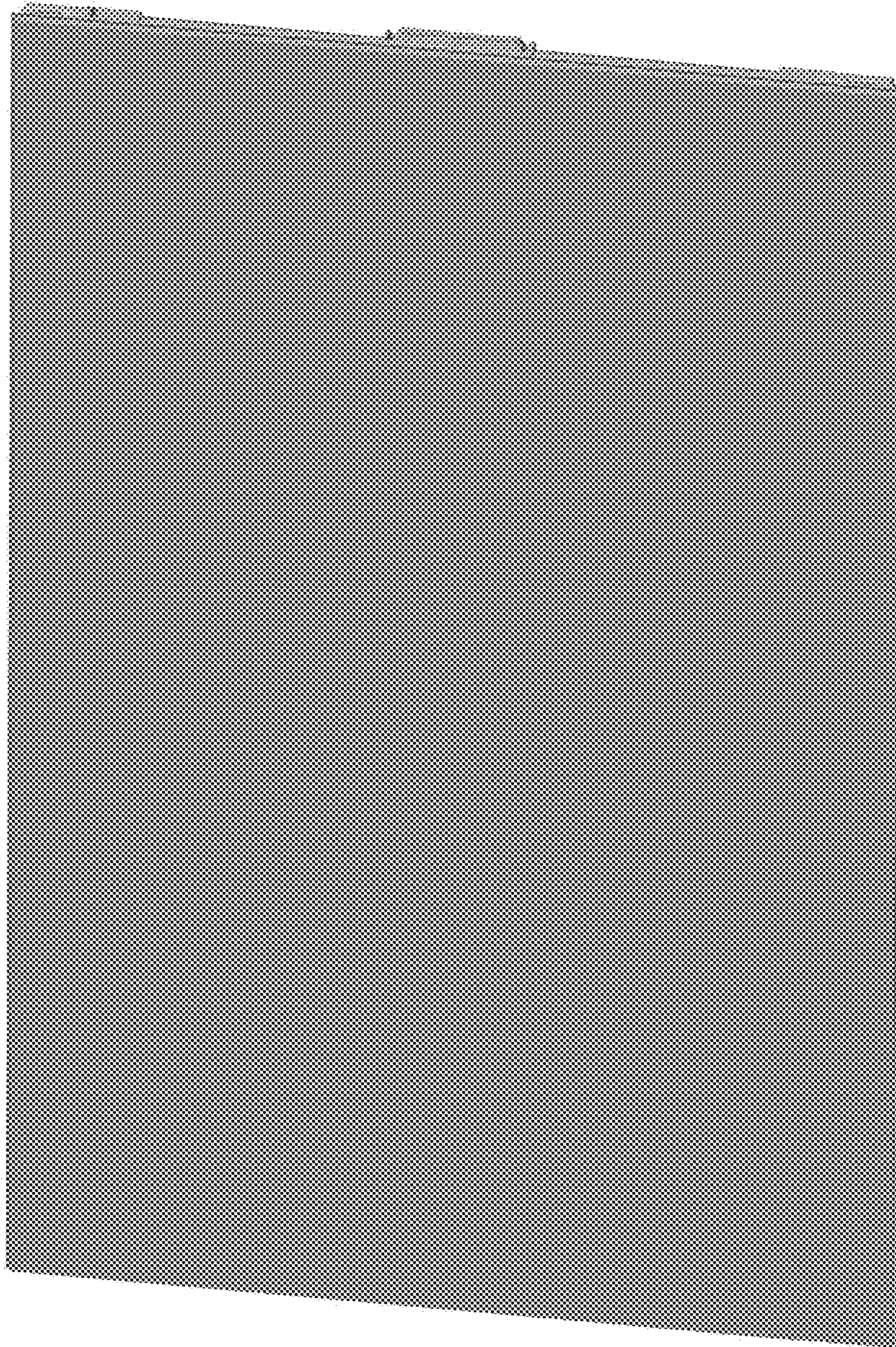


Fig. 11