



US00D821493S

(12) **United States Design Patent**  
**Chuang**

(10) **Patent No.:** **US D821,493 S**

(45) **Date of Patent:** **\*\* Jun. 26, 2018**

(54) **CLIPBOARD**

(71) Applicant: **Chih-Wei Chuang**, Bridgewater, NJ  
(US)

(72) Inventor: **Chih-Wei Chuang**, Bridgewater, NJ  
(US)

(73) Assignee: **Officemate International Corp.**,  
Edison, NJ (US)

(\*\*) Term: **15 Years**

(21) Appl. No.: **29/620,409**

(22) Filed: **Nov. 29, 2016**

(51) **LOC (11) Cl.** ..... **19-02**

(52) **U.S. Cl.**  
USPC ..... **D19/88; D19/86**

(58) **Field of Classification Search**  
USPC ..... D3/273, 274; D19/86, 88-91  
CPC ..... B42F 9/00; B42F 9/001; B42F 9/008  
See application file for complete search history.

(56) **References Cited**

**U.S. PATENT DOCUMENTS**

D347,728 S *	6/1994	Taniyama	.....	D6/634
D495,746 S *	9/2004	Chen	.....	D19/65
D611,543 S *	3/2010	Chen	.....	D19/88
D647,969 S *	11/2011	Shamoon	.....	D19/88
D666,674 S *	9/2012	Moore	.....	D19/88
D697,553 S *	1/2014	Lee	.....	D19/113
D697,554 S *	1/2014	Lee	.....	D19/88
D748,726 S *	2/2016	Jui-Chen	.....	D19/88

D769,972 S *	10/2016	Thomson	.....	D19/88
2014/0346764 A1 *	11/2014	Lee	.....	B43L 3/005 281/45
2017/0113482 A1 *	4/2017	Chang	.....	B42F 9/008

\* cited by examiner

*Primary Examiner* — Daniel D Bui

*Assistant Examiner* — Andrew Kerr

(74) *Attorney, Agent, or Firm* — Daniel Kirshner

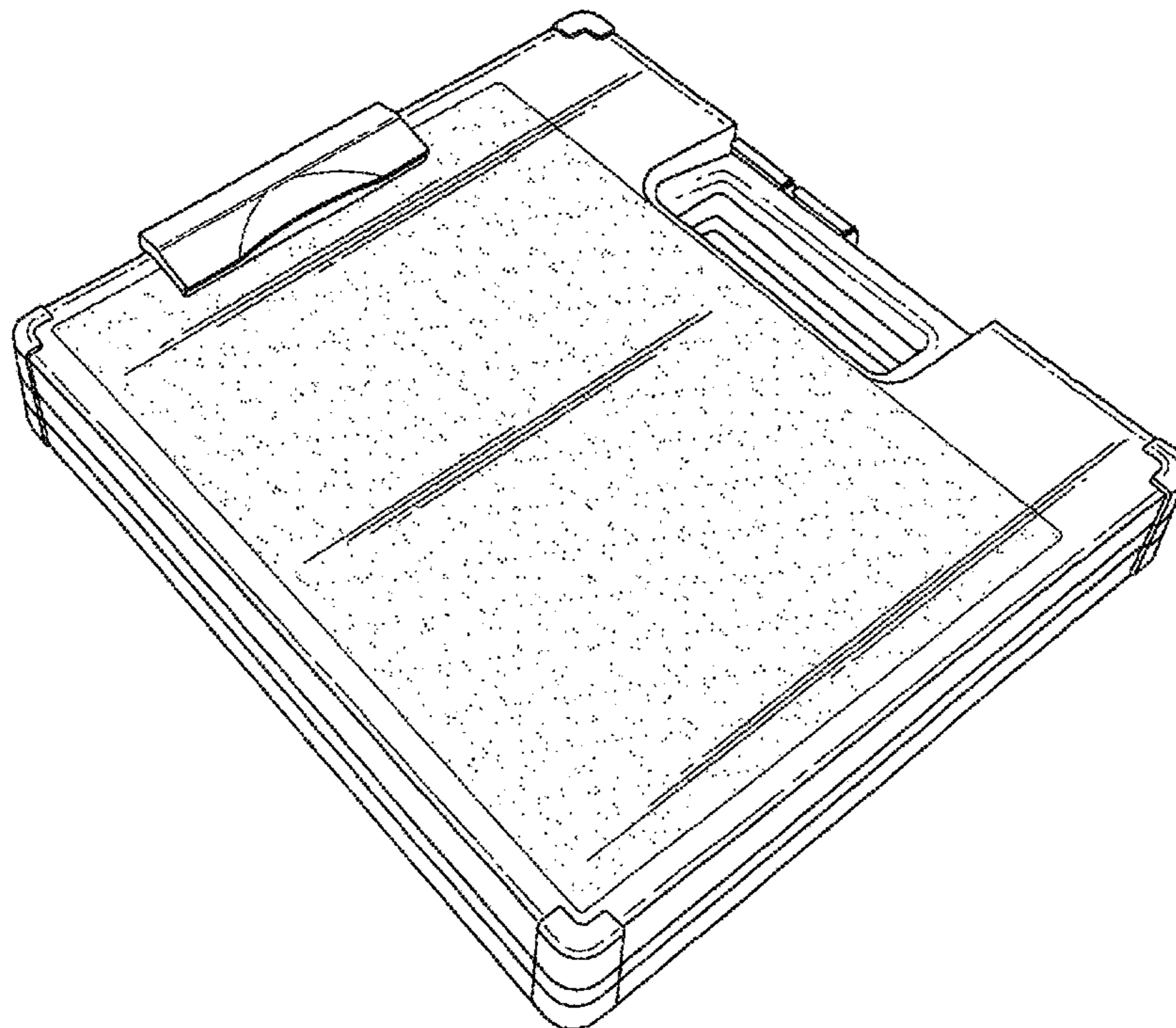
(57) **CLAIM**

The ornamental design for a clipboard, as shown and described.

**DESCRIPTION**

FIG. 1 is a side perspective view of a clipboard showing the new design;  
 FIG. 2 is top view thereof;  
 FIG. 3 is a bottom view thereof;  
 FIG. 4 is a front view thereof;  
 FIG. 5 is a back view thereof;  
 FIG. 6 is a right side view thereof;  
 FIG. 7 is a left side view thereof;  
 FIG. 8 is a front perspective view thereof with clipboard in open condition;  
 FIG. 9 is a back perspective view thereof with clipboard in open condition; and,  
 FIG. 10 is a front perspective view thereof with clipboard in open condition and showing its compartment open.  
 The stippling in FIGS. 1, 2 and 3 on the surface of the clipboard is used to show texture on the surface of the clipboard.

**1 Claim, 10 Drawing Sheets**



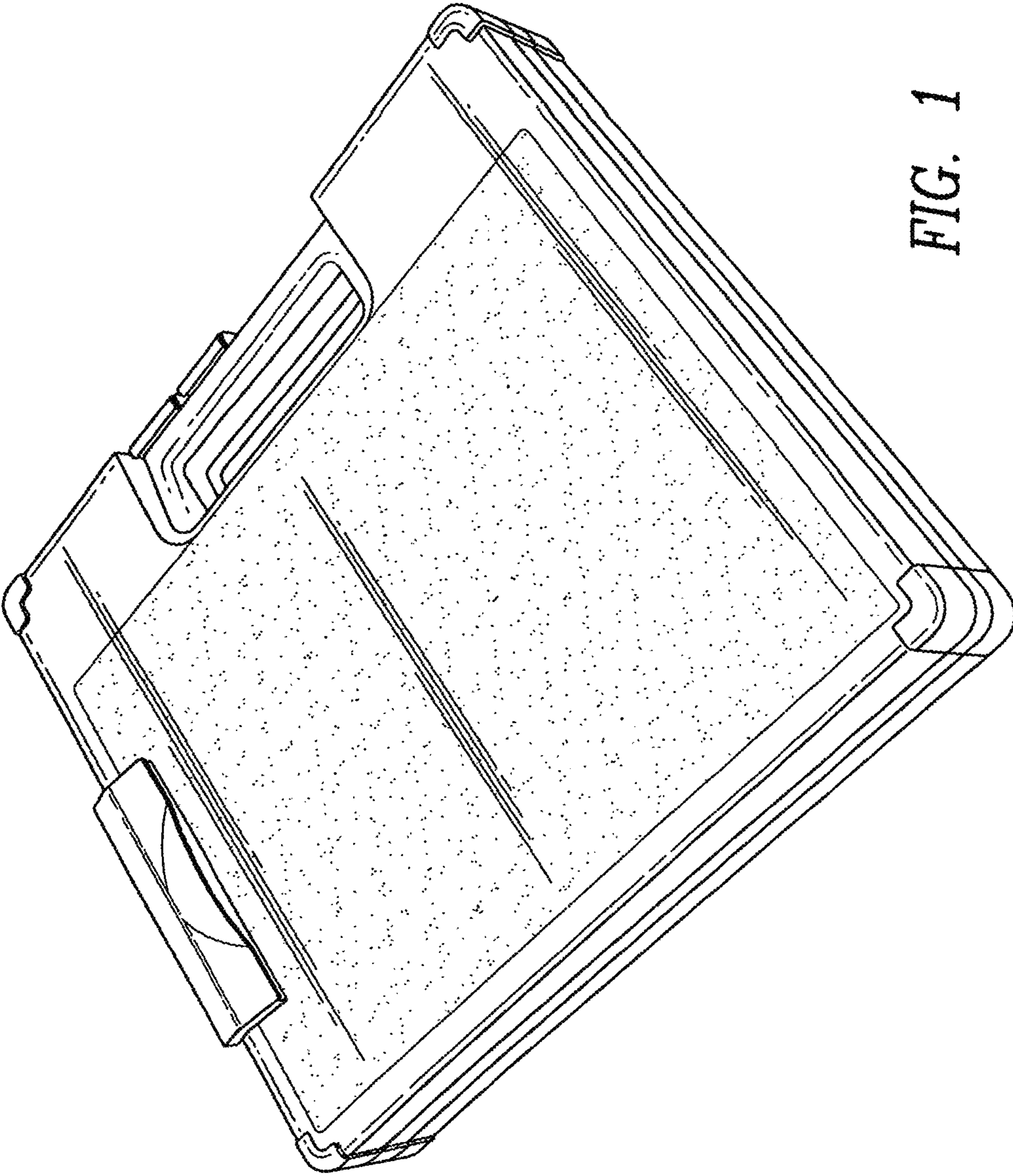


FIG. 1



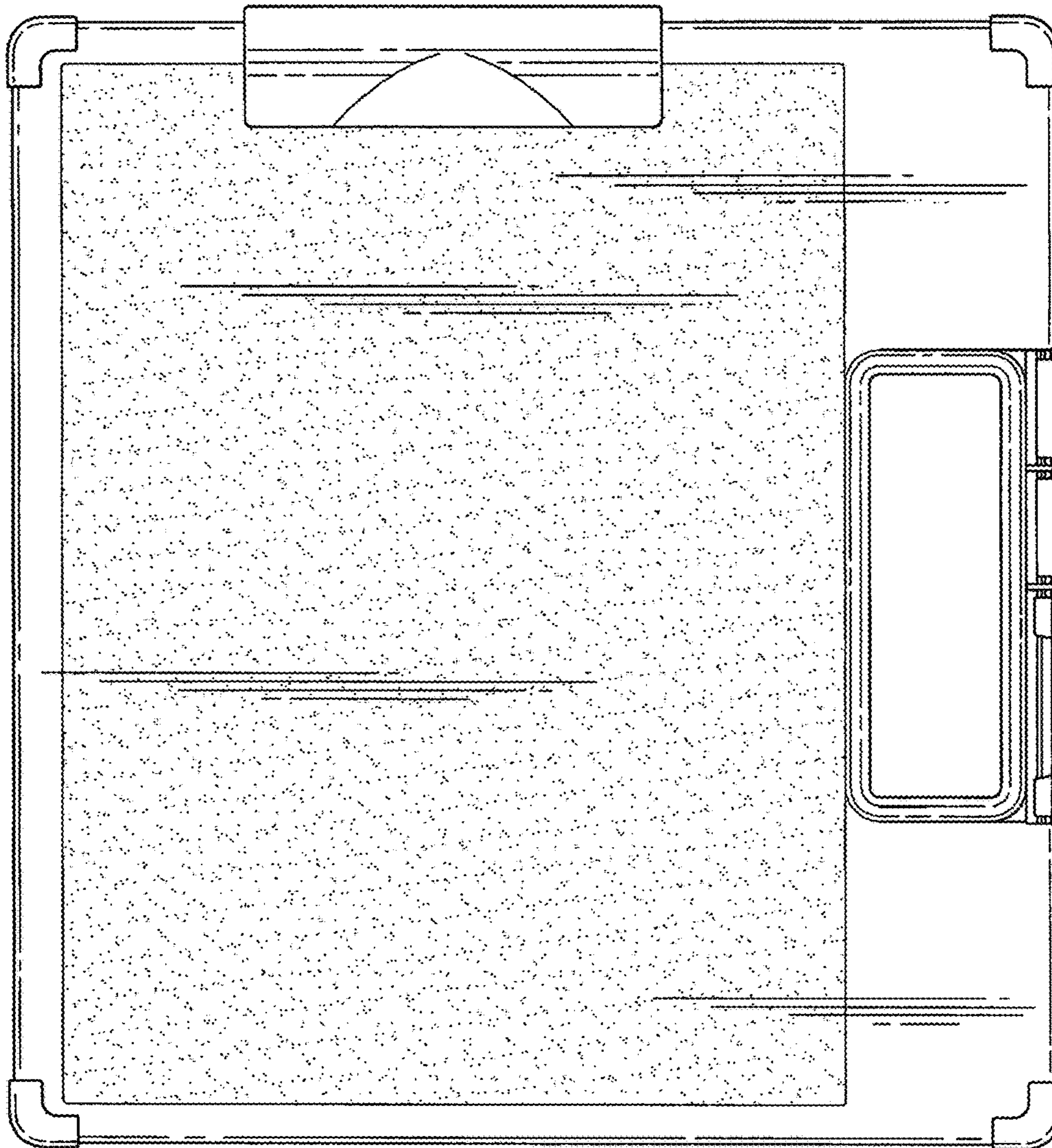


FIG. 2

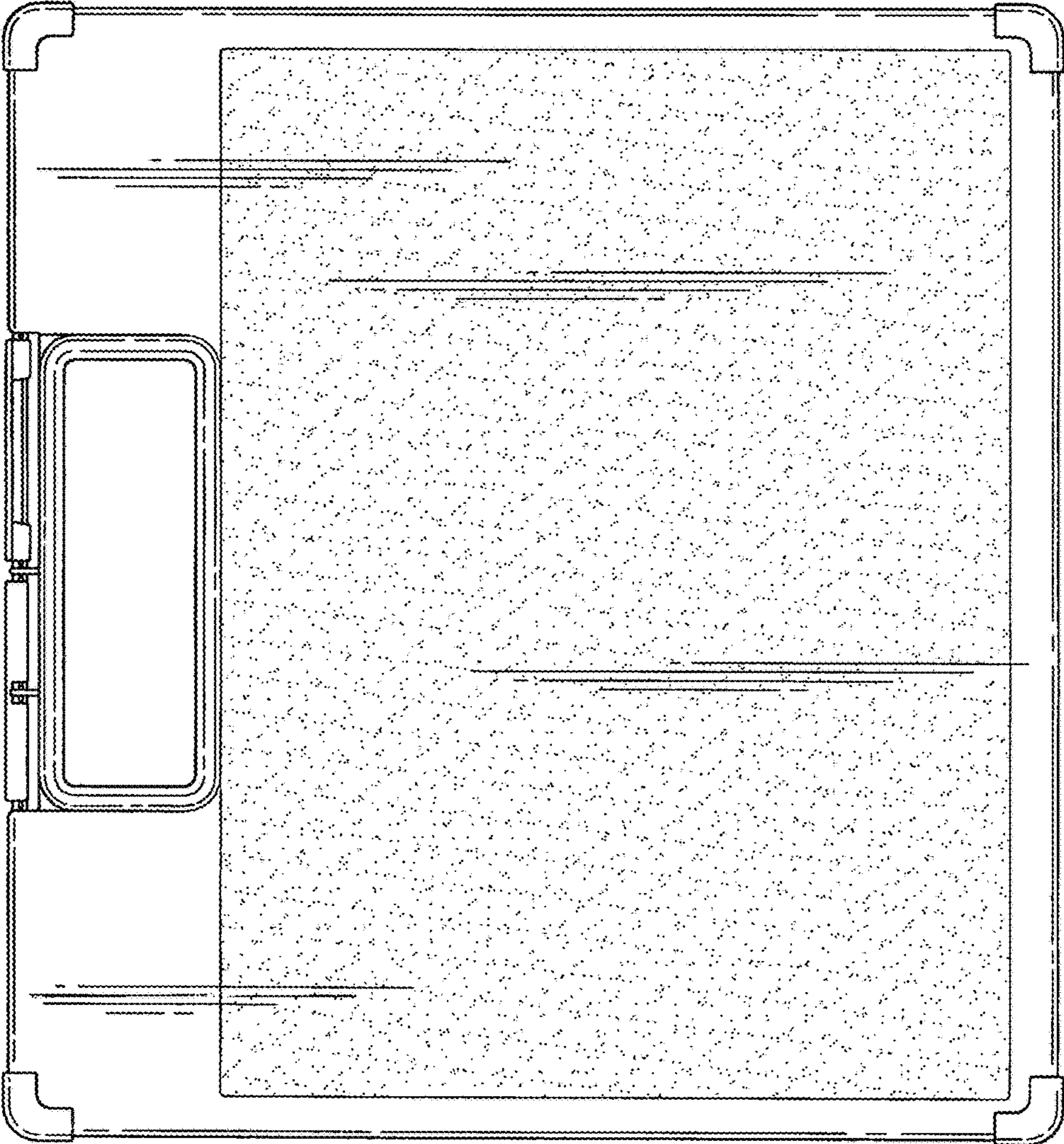


FIG. 3

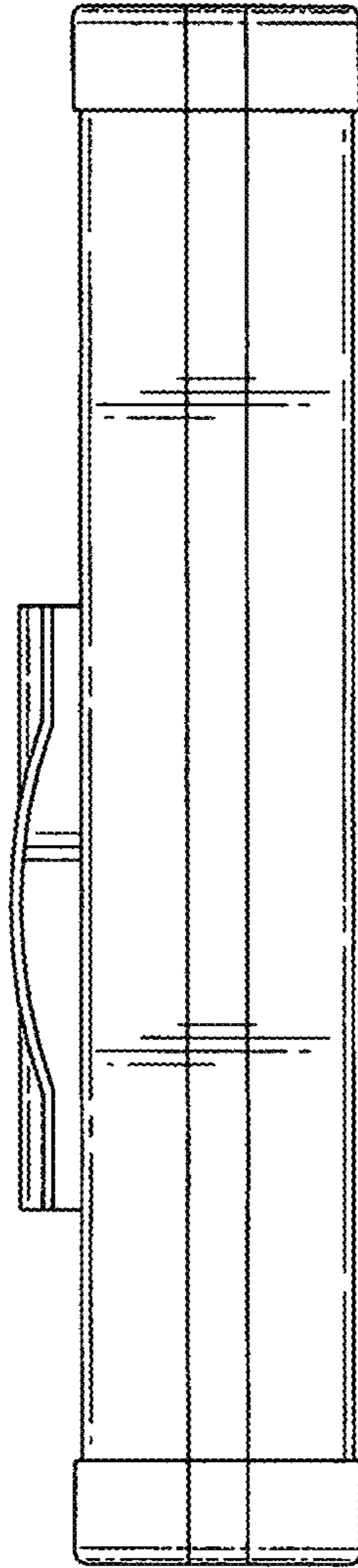


FIG. 4

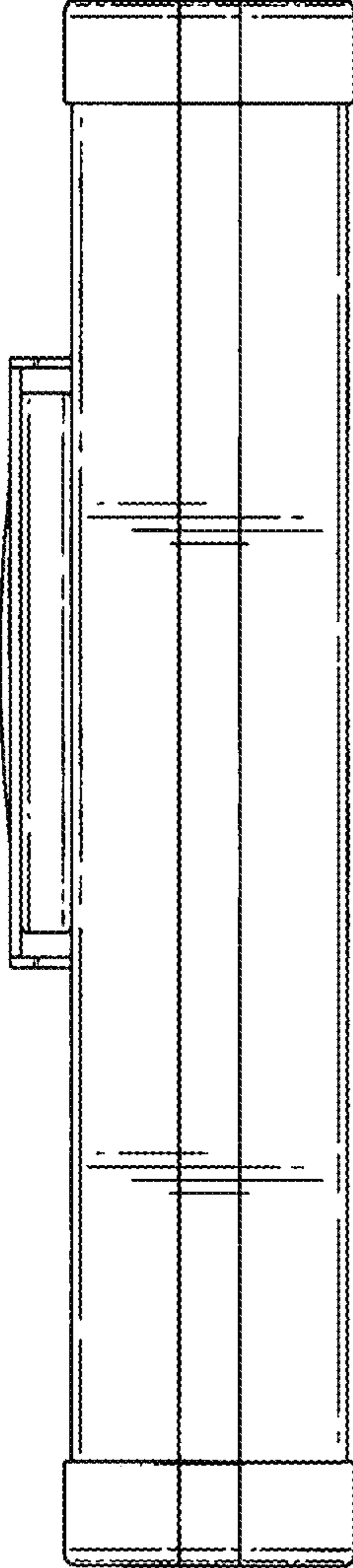


FIG. 5

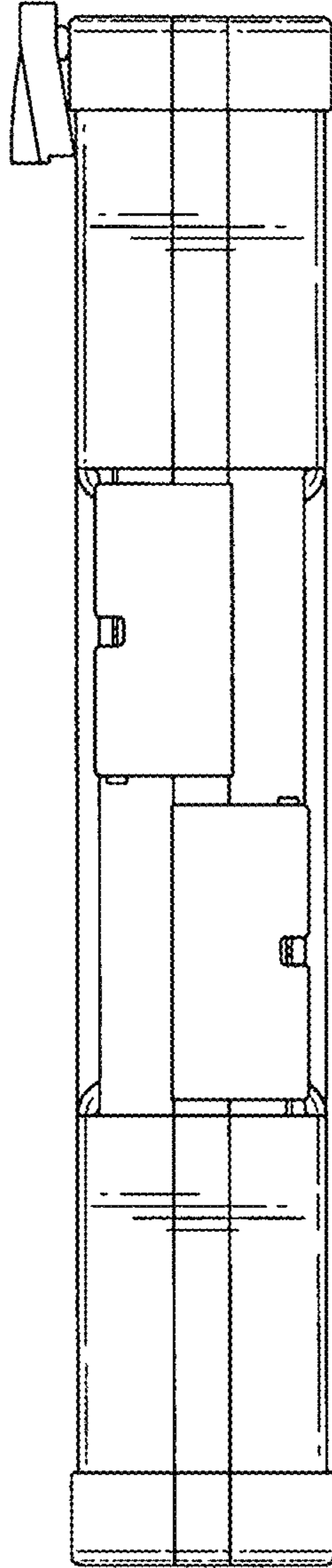


FIG. 6

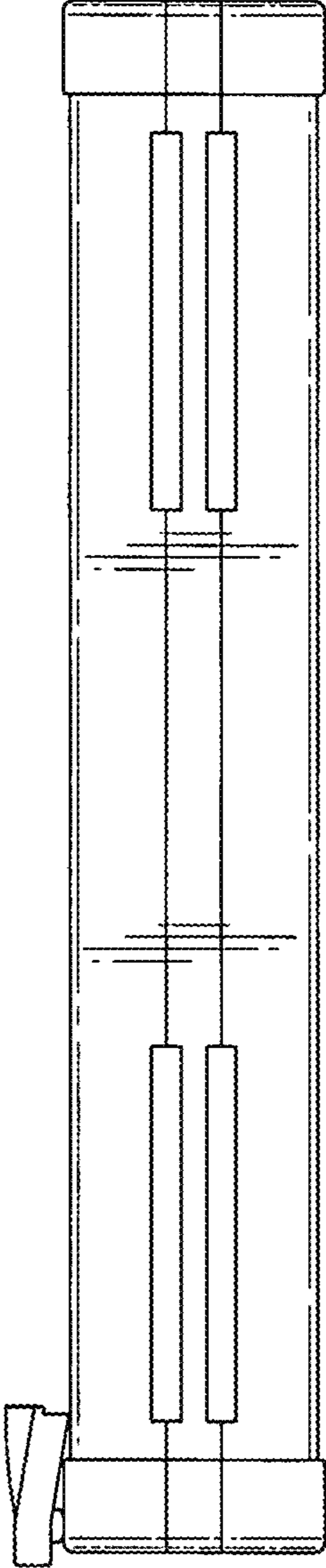


FIG. 7



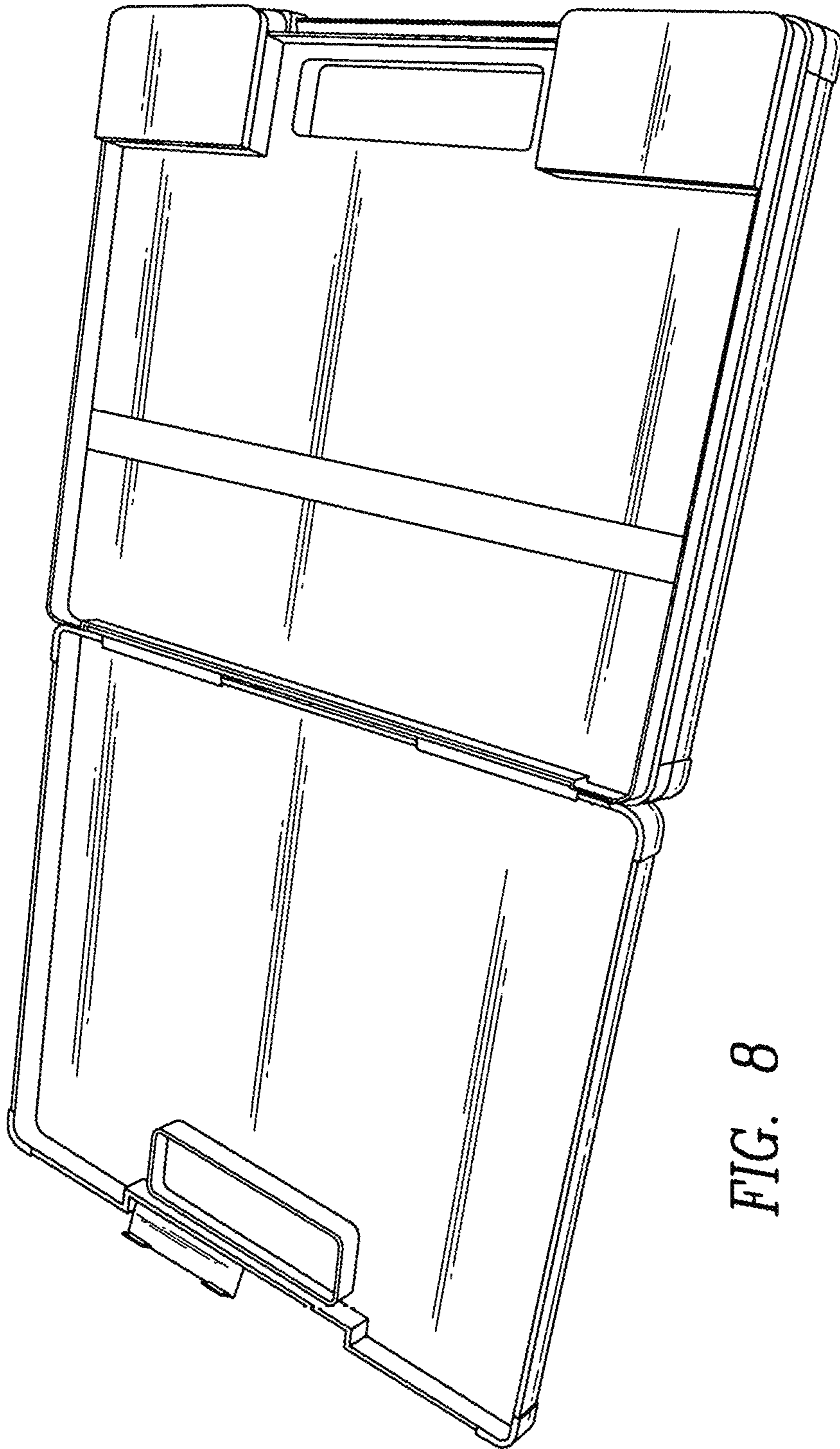


FIG. 8

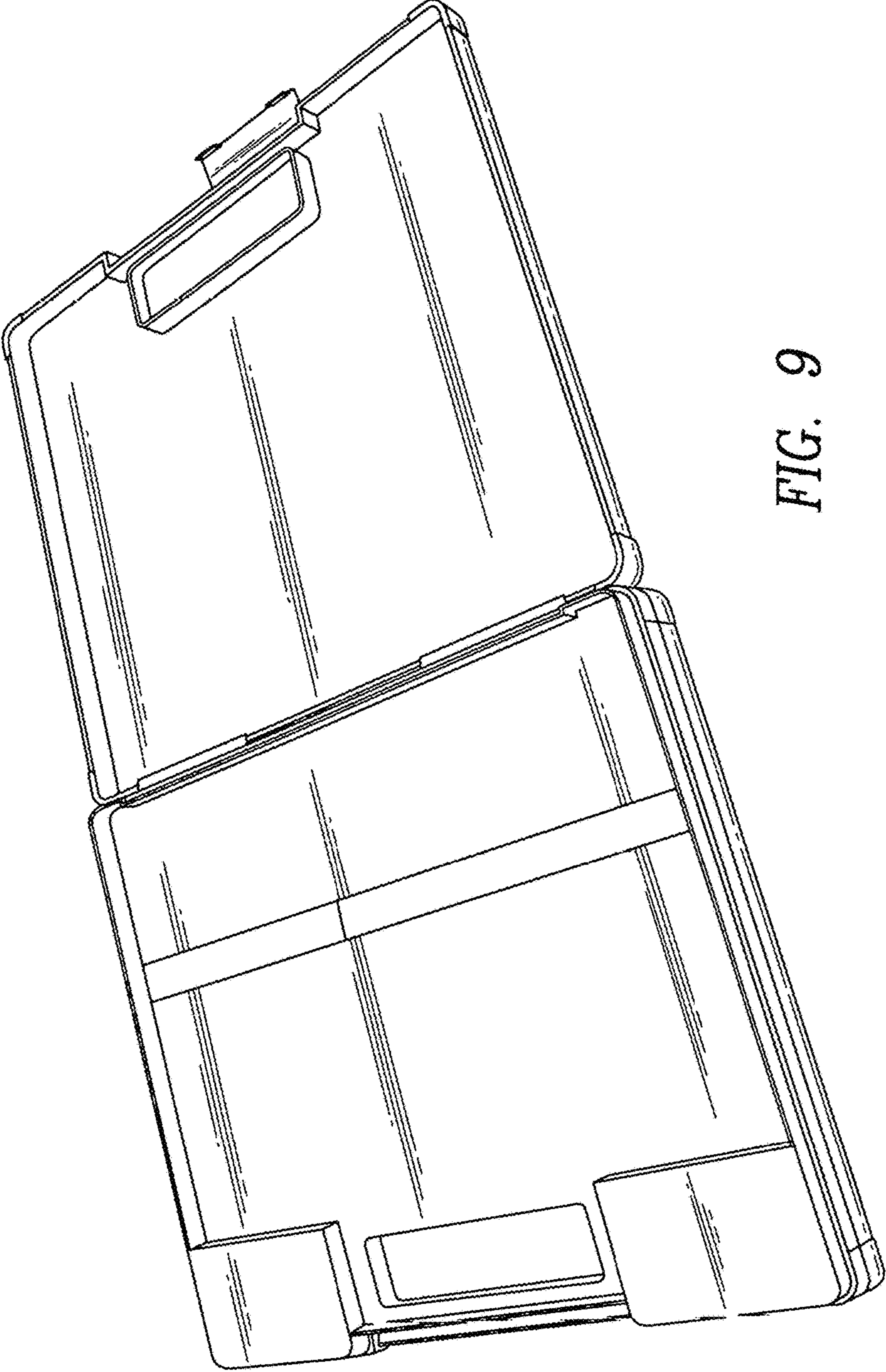


FIG. 9

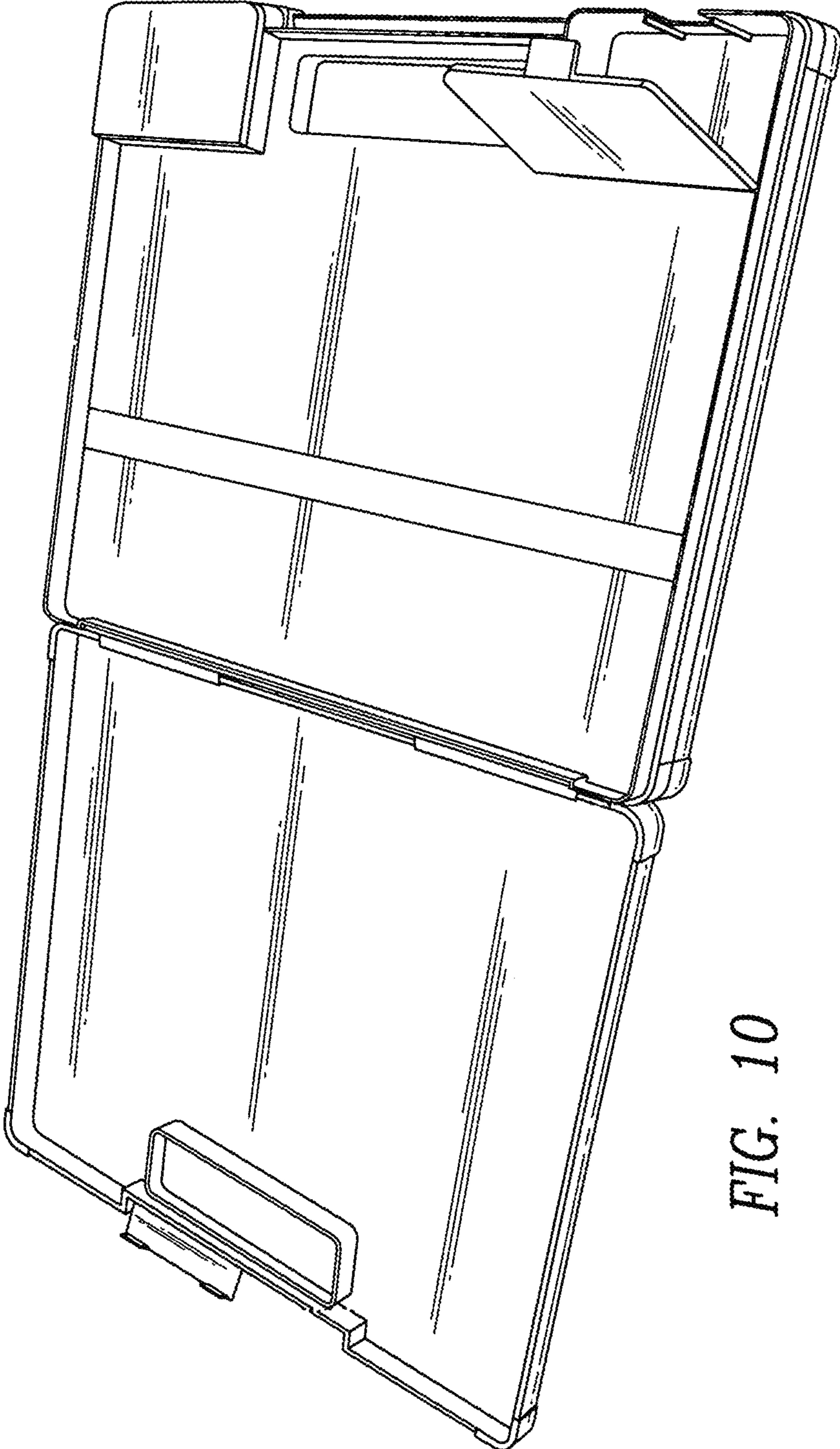


FIG. 10