



US00D821492S

(12) **United States Design Patent** (10) **Patent No.:** **US D821,492 S**
Feingold (45) **Date of Patent:** **** Jun. 26, 2018**

(54) **FOLDER WITH MAGNETIC CLOSURE**
(71) Applicant: **Irene B. Feingold**, Rochester, NY (US)
(72) Inventor: **Irene B. Feingold**, Rochester, NY (US)
(**) Term: **15 Years**

(21) Appl. No.: **29/611,358**
(22) Filed: **Jul. 20, 2017**
(51) **LOC (11) Cl.** **19-04**
(52) **U.S. Cl.**
USPC **D19/26**
(58) **Field of Classification Search**
USPC D19/26, 27, 32, 33, 34, 34.1-34.5, 124,
D19/100, 2, 3, 86, 91; D3/303, 227, 900,
D3/247; D9/433, 634
CPC B42F 17/00; B42F 19/00; B42F 21/00;
B42F 21/02; B42F 23/00; B42F 15/0011;
B42F 15/0017; B42F 15/0023; B42F
15/007; B42F 15/0082; B42F 15/0088;
B42F 15/0094
See application file for complete search history.

(56) **References Cited**

U.S. PATENT DOCUMENTS

1,351,127 A * 8/1920 Rivers B42F 19/00
24/67.9
D202,940 S * 11/1965 Bloom D19/86
D334,588 S * 4/1993 Okola D19/27
6,082,612 A * 7/2000 Black G11B 33/0494
229/71
D573,638 S * 7/2008 Takaghi D19/26
D608,390 S * 1/2010 Wong D19/33
D651,239 S * 12/2011 Kendall D19/26
D734,390 S * 7/2015 Christensen D19/26
D744,587 S * 12/2015 Christensen D19/26

D787,591 S * 5/2017 Klosky D19/26
D788,222 S * 5/2017 Klosky D19/26
D792,514 S * 7/2017 Takei D19/26
2014/0252074 A1 * 9/2014 Christensen B42F 7/06
229/67.1

FOREIGN PATENT DOCUMENTS

CN 303288829 * 7/2015
JP D1530929 * 8/2015
JP D1531946 * 8/2015
WO WO 02055396 A1 * 7/2002 B42F 7/02

OTHER PUBLICATIONS

Amazon. <URL: <http://a.co/7ZJpX5t>> May 17, 2011. File Jacket with Magnetic Back.*

* cited by examiner

Primary Examiner — Bridget L Eland
Assistant Examiner — Lauren McVey
(74) *Attorney, Agent, or Firm* — Barnes & Thornburg LLP

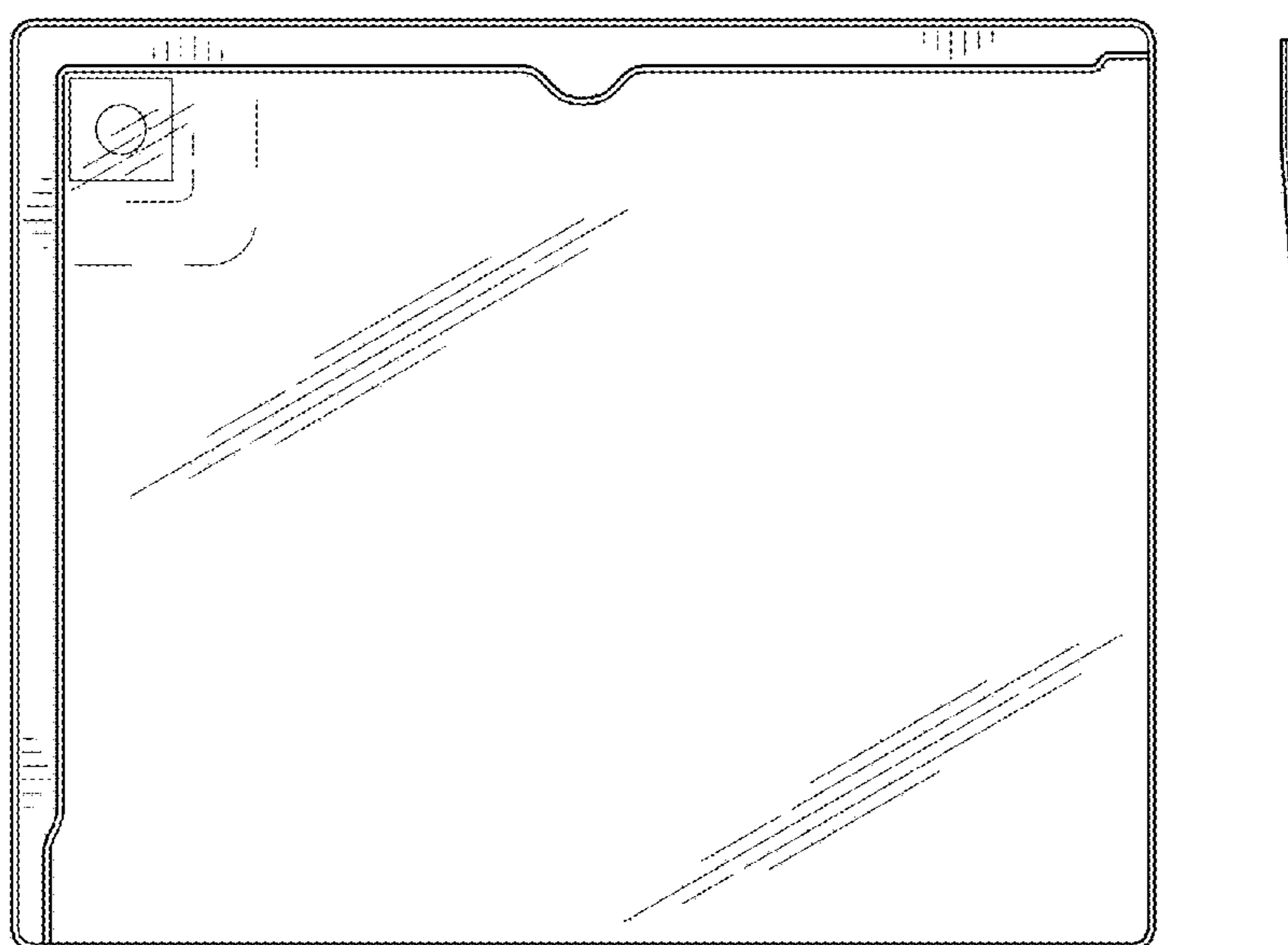
(57) **CLAIM**

I claim the ornamental design for a folder with a magnetic closure, as shown and described.

DESCRIPTION

FIG. 1 is a perspective view of a folder with magnetic closure, showing my new design;
FIG. 2 is a front elevational view thereof;
FIG. 3 is a rear elevational view thereof;
FIG. 4 is a left side elevational view thereof;
FIG. 5 is a right side elevational view thereof;
FIG. 6 is a top plan view thereof; and,
FIG. 7 is a bottom plan view thereof.

1 Claim, 3 Drawing Sheets



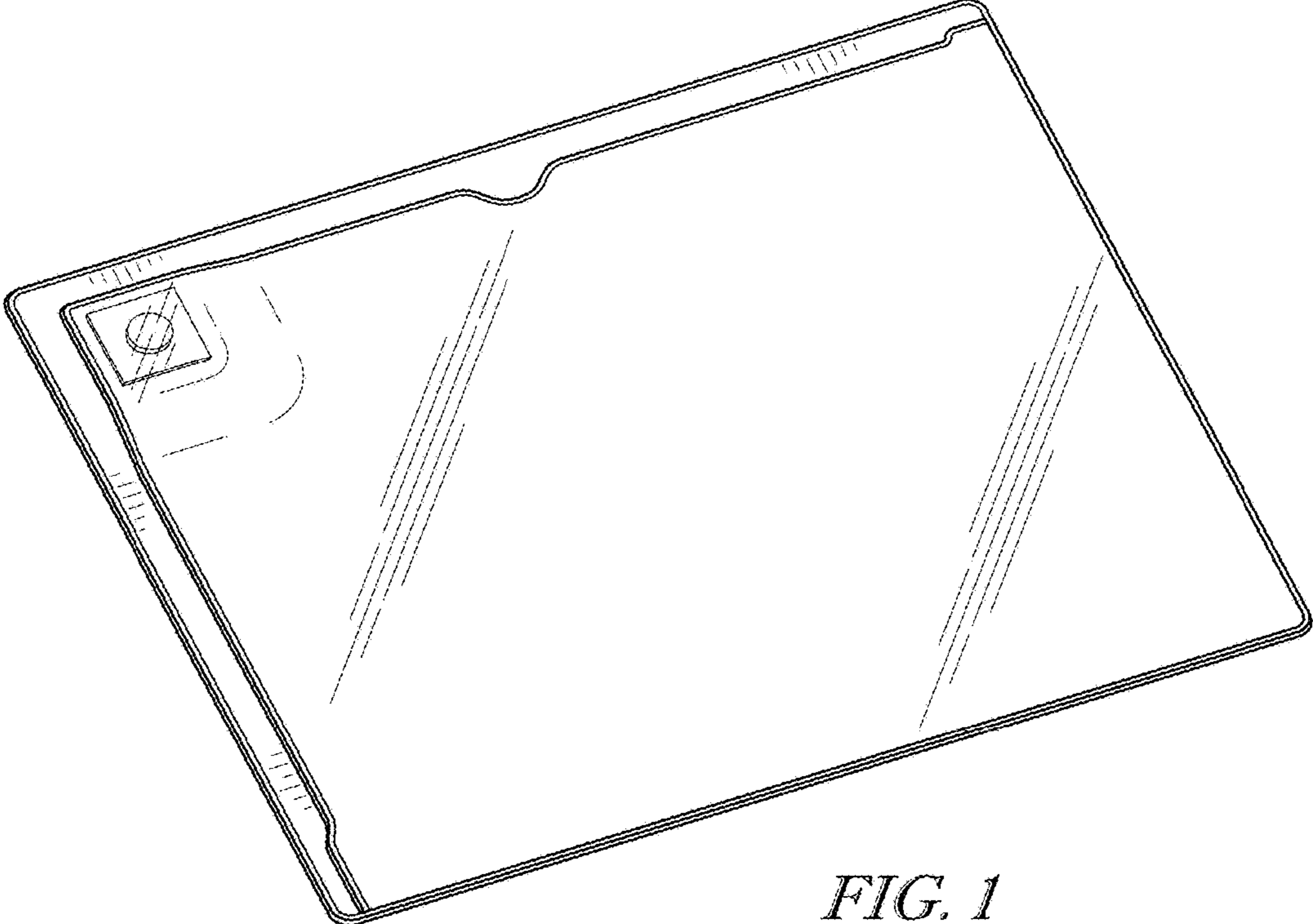


FIG. 1

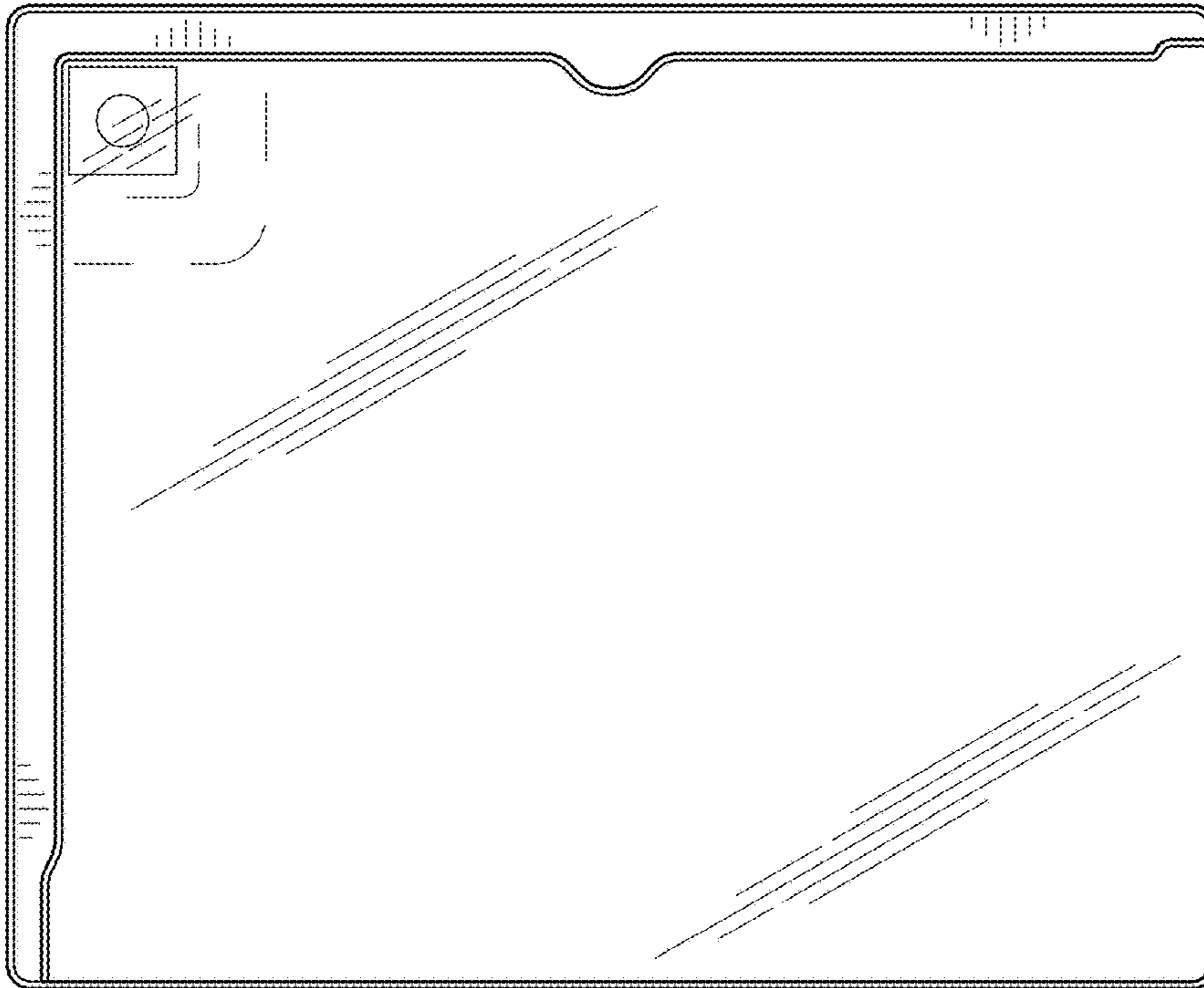


FIG. 2

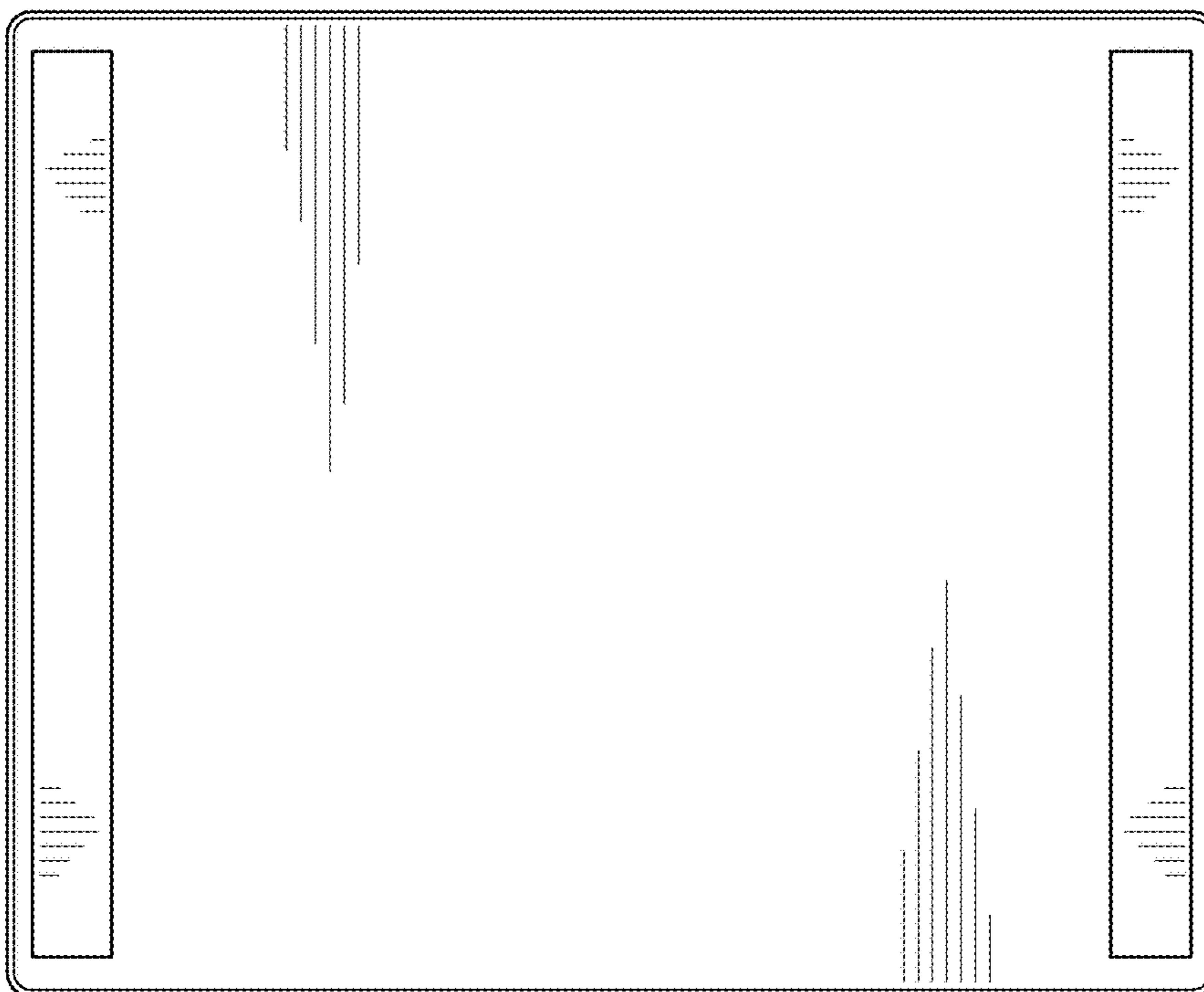


FIG. 3



FIG. 4

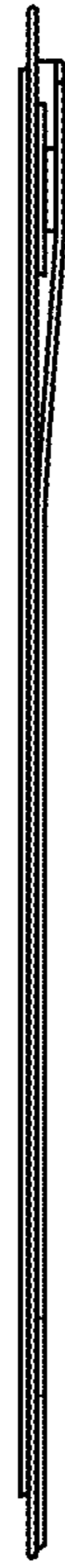


FIG. 5

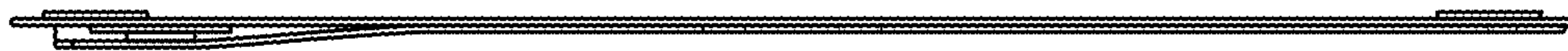


FIG. 6



FIG. 7