



US00D821490S

(12) **United States Design Patent**
Mita et al.

(10) **Patent No.:** **US D821,490 S**
(45) **Date of Patent:** **** Jun. 26, 2018**

(54) **PRINTER**

- (71) Applicant: **BROTHER INDUSTRIES, LTD.**,
Nagoya-shi, Aichi-ken (JP)
- (72) Inventors: **Masayoshi Mita**, Nagoya (JP); **Jihoon Kil**, Nagoya (JP)
- (73) Assignee: **BROTHER INDUSTRIES, LTD.**,
Nagoya (JP)
- (**) Term: **15 Years**
- (21) Appl. No.: **29/568,141**
- (22) Filed: **Jun. 15, 2016**

(30) **Foreign Application Priority Data**

Dec. 15, 2015 (JP) 2015-27910
 Apr. 8, 2016 (JP) 2016-7848

(51) **LOC (11) Cl.** **18-02**

(52) **U.S. Cl.**
USPC **D18/55**

(58) **Field of Classification Search**
 USPC D18/12, 14, 18, 19, 36, 37, 38, 39, 43,
 D18/50, 54, 54.1, 55, 56, 99; D14/420,
 D14/421, 422, 423, 424, 425, 462, 463,
 D14/464, 465, 466, 467, 668, 469, 470,
 D14/480.5, 483, 484
 CPC . B41J 31/16; B41J 32/02; B41J 19/202; B41J
 29/377; B41J 15/042; B41J 3/4075; B41J
 11/58; B41J 15/12; B41J 29/02; B41J
 17/00
 See application file for complete search history.

(56) **References Cited**

U.S. PATENT DOCUMENTS

- D313,814 S * 1/1991 Komada D18/36
- D575,330 S * 8/2008 Egami D18/55
- D579,973 S * 11/2008 Park D14/421
- D581,976 S * 12/2008 Park D18/55

(Continued)

OTHER PUBLICATIONS

MFC-L9570CDW, [online], [site visited Sep. 18, 2017]. Available from Internet, URL: <https://www.cdw.com/shop/products/Brother-MFC-L9570CDW-multifunction-printer-color/4558061.aspx>.*

Primary Examiner — Caron D Veynar

Assistant Examiner — Katrina N Gonzalez

(74) *Attorney, Agent, or Firm* — Oliff PLC

(57) **CLAIM**

The ornamental design for a printer, as shown and described.

DESCRIPTION

FIG. 1 is a perspective view of a first embodiment of a printer;

FIG. 2 is a front view of the first embodiment thereof;

FIG. 3 is a top view of the first embodiment thereof;

FIG. 4 is a right-side view of the first embodiment thereof;

FIG. 5 is a left-side view of the first embodiment thereof;

FIG. 6 is a rear view of the first embodiment thereof;

FIG. 7 is a bottom view of the first embodiment thereof;

FIG. 8 is a perspective view of a second embodiment of the printer;

FIG. 9 is a front view of the second embodiment thereof;

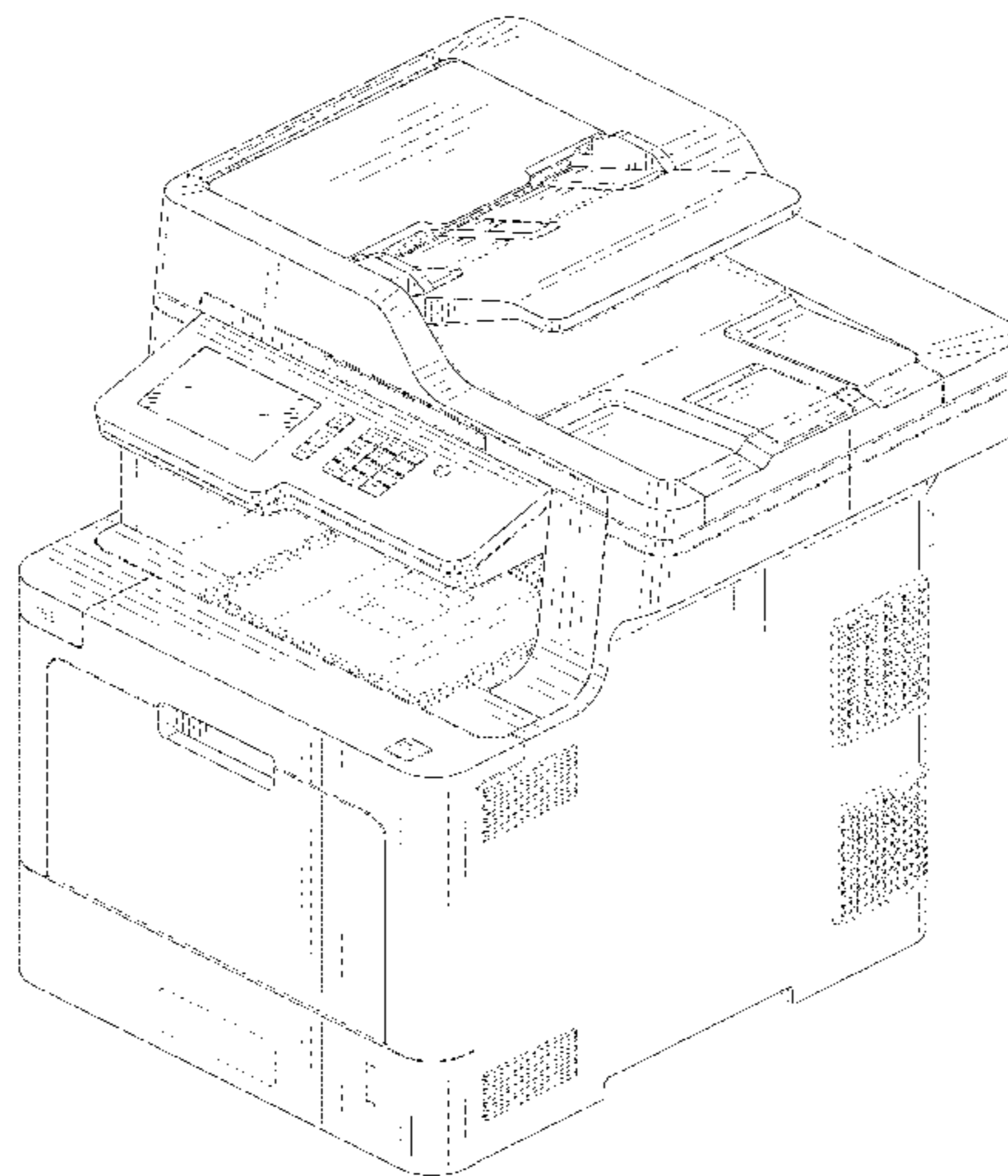
FIG. 10 is a top view of the second embodiment thereof;

FIG. 11 is a right-side view of the second embodiment thereof; and,

FIG. 12 is a left-side view of the second embodiment thereof.

The broken lines depict environmental subject matter only and form no part of the claimed design. The dot-dash lines depict a boundary between claimed and unclaimed subject matter, and form no part of the claimed design. The rear and bottom views of the second embodiment of the printer are identical to the rear and bottom views of the first embodiment, and thus are not illustrated.

1 Claim, 12 Drawing Sheets



(56)

References Cited

U.S. PATENT DOCUMENTS

D660,351 S * 5/2012 Larson D18/55
D664,191 S * 7/2012 Saito D18/39
D696,341 S * 12/2013 Yamada D18/39
8,851,665 B2 * 10/2014 Okamoto B41J 29/026
347/108
D742,960 S * 11/2015 Lee D18/50
D749,168 S 2/2016 Nakagawa et al.
D752,135 S * 3/2016 Uchikawa D18/39
D758,485 S 6/2016 Nakagawa et al.
D758,486 S 6/2016 Nakagawa et al.
D765,080 S * 8/2016 Su D14/421
D769,965 S * 10/2016 Clark, III D18/55

* cited by examiner

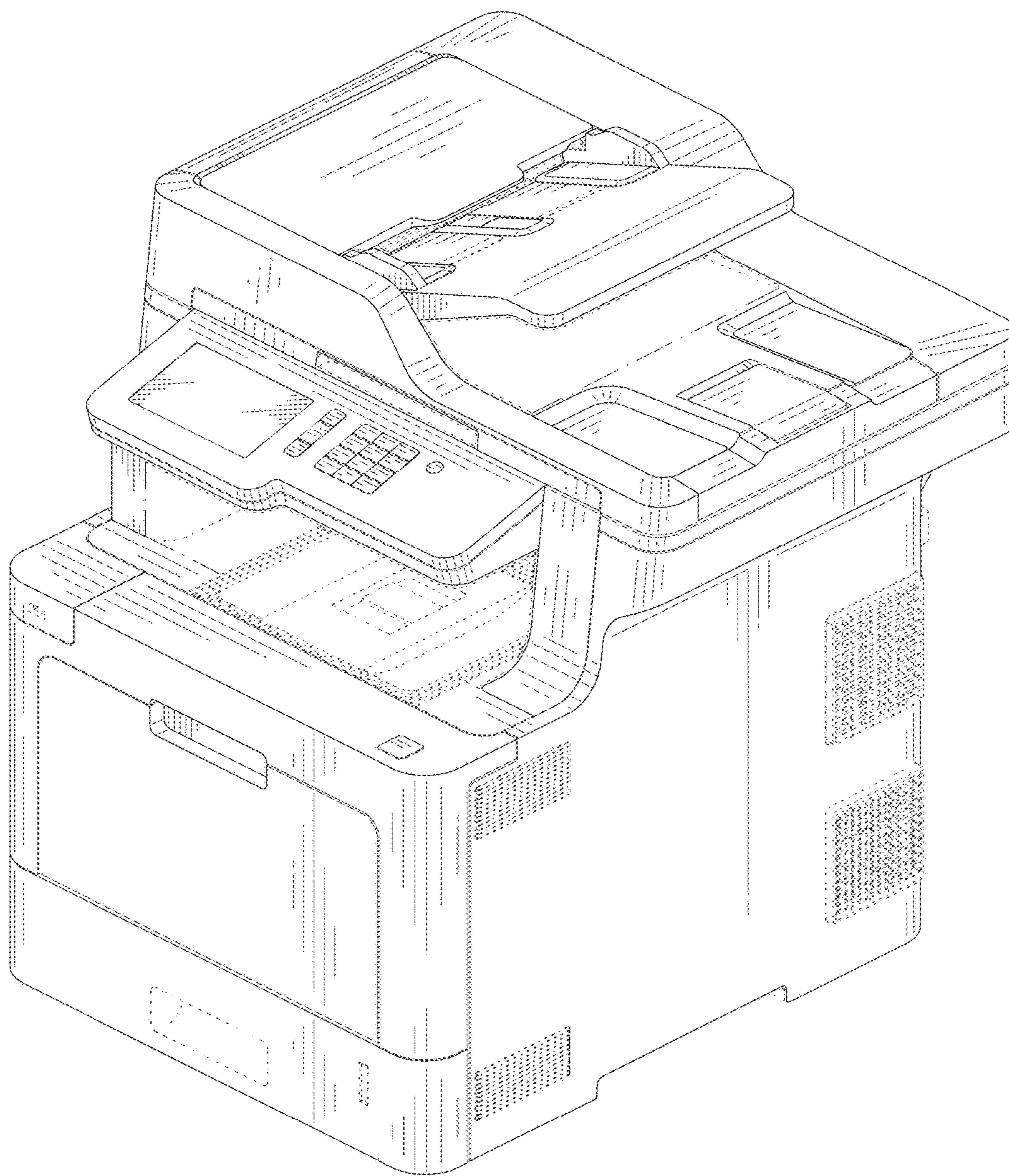


FIG. 1

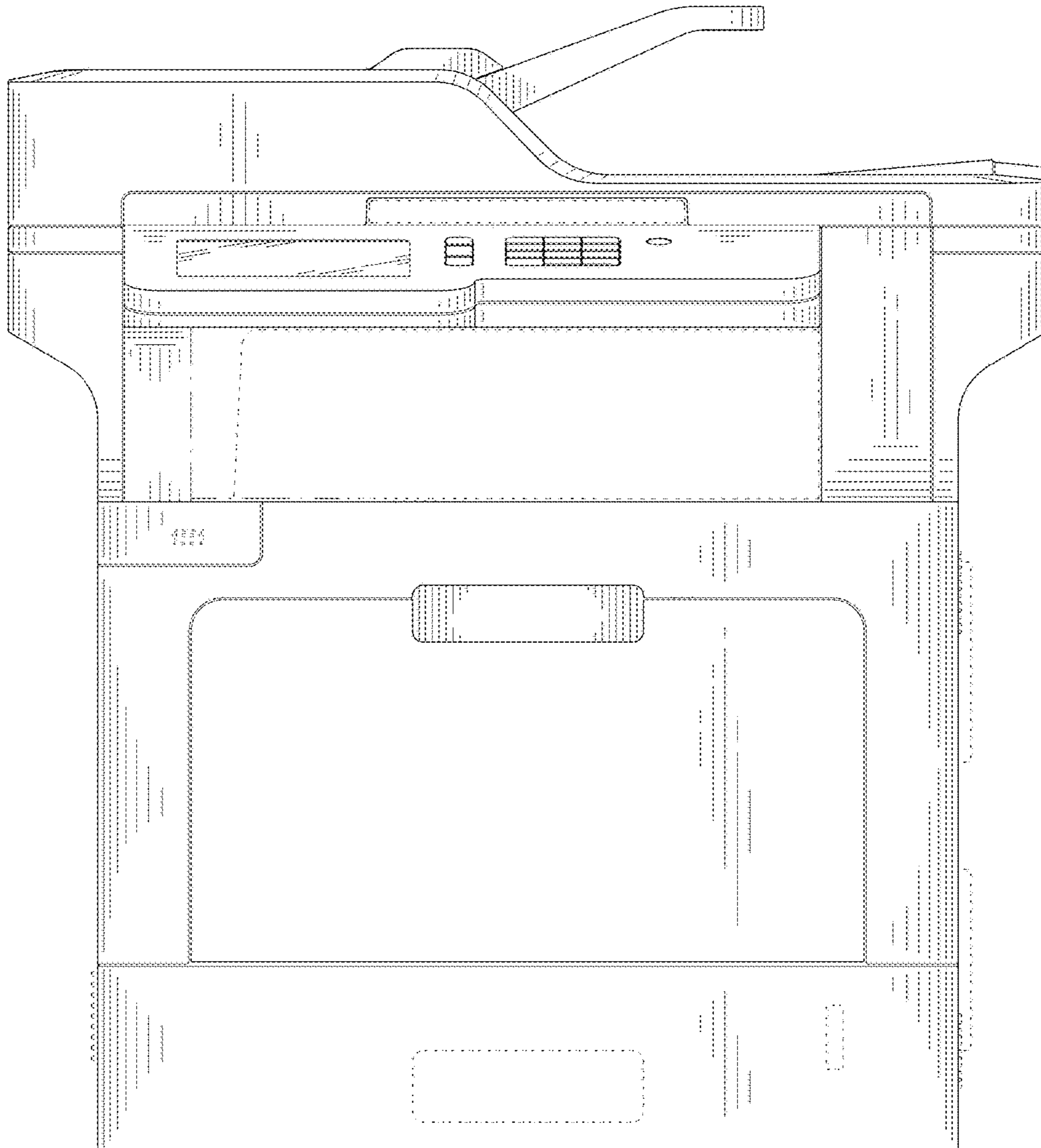


FIG. 2

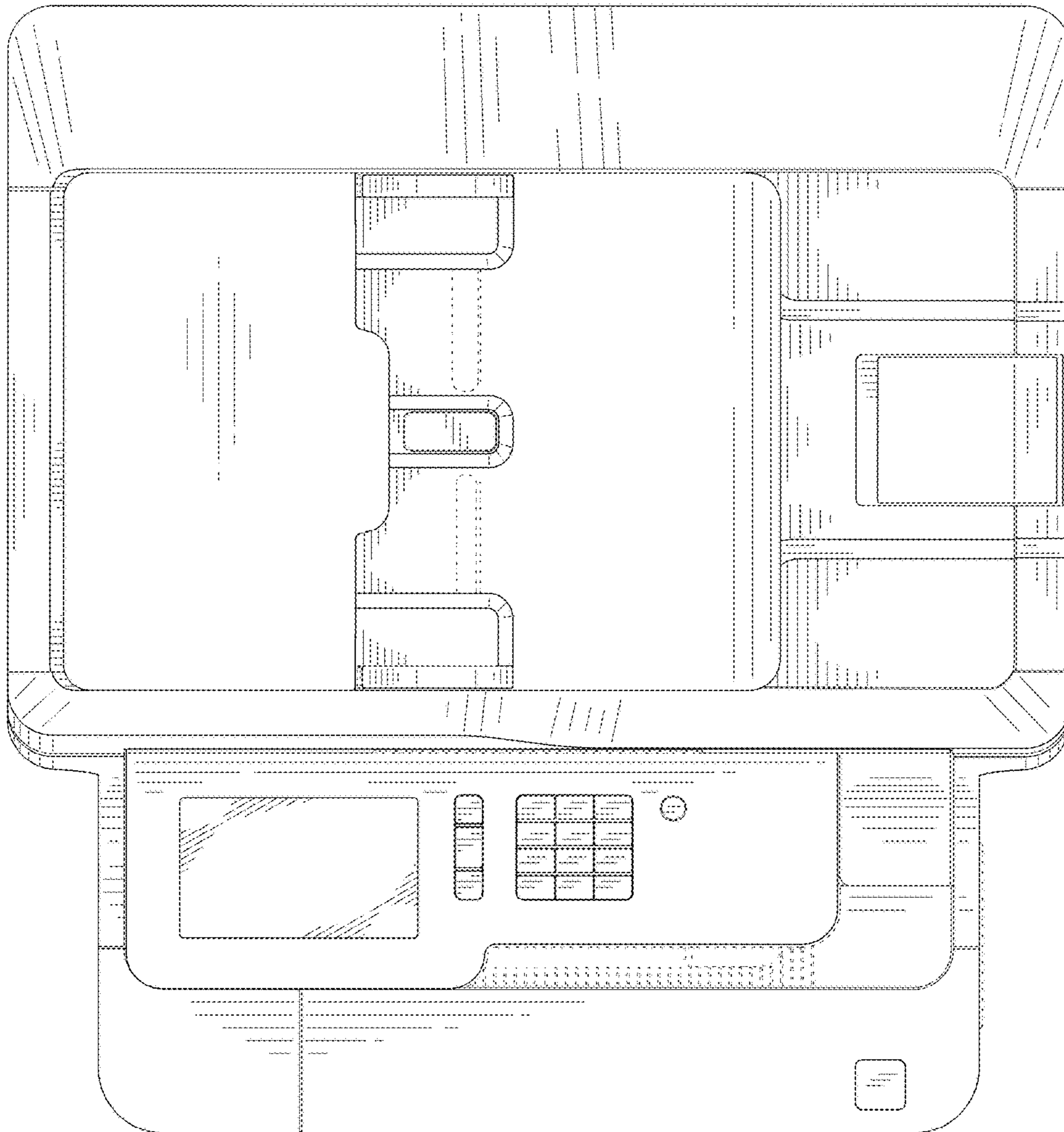


FIG. 3

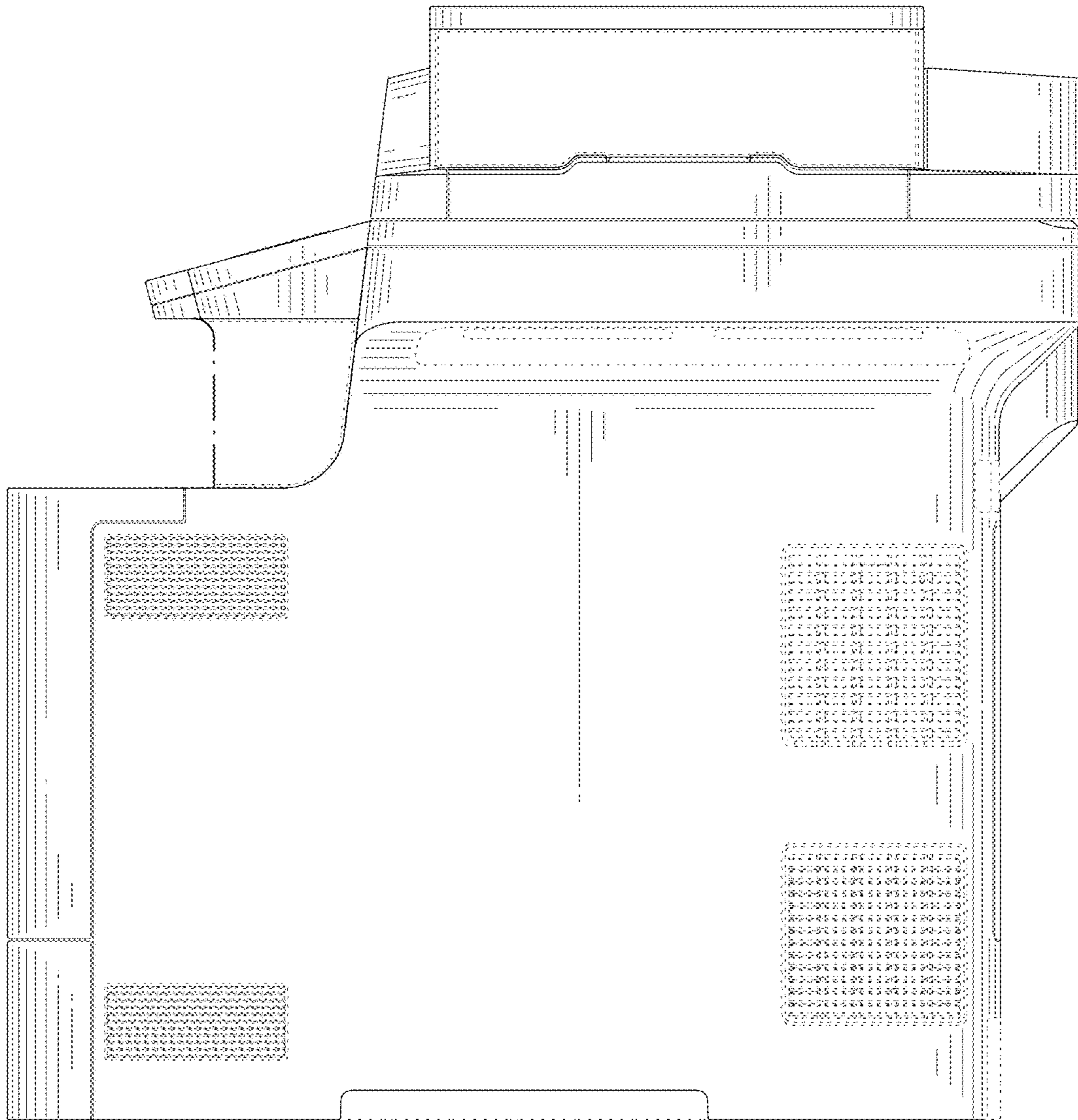


FIG. 4

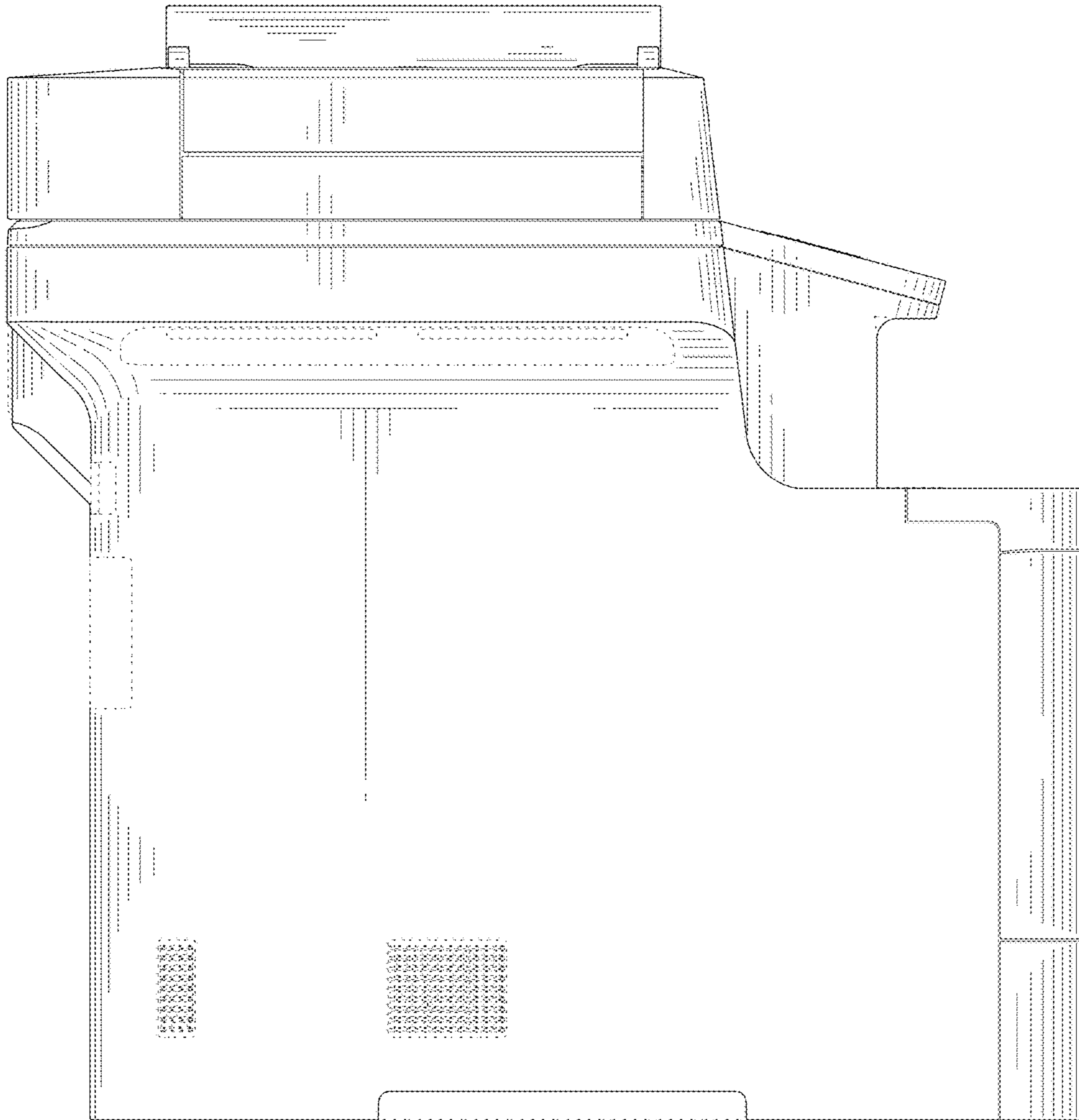


FIG. 5

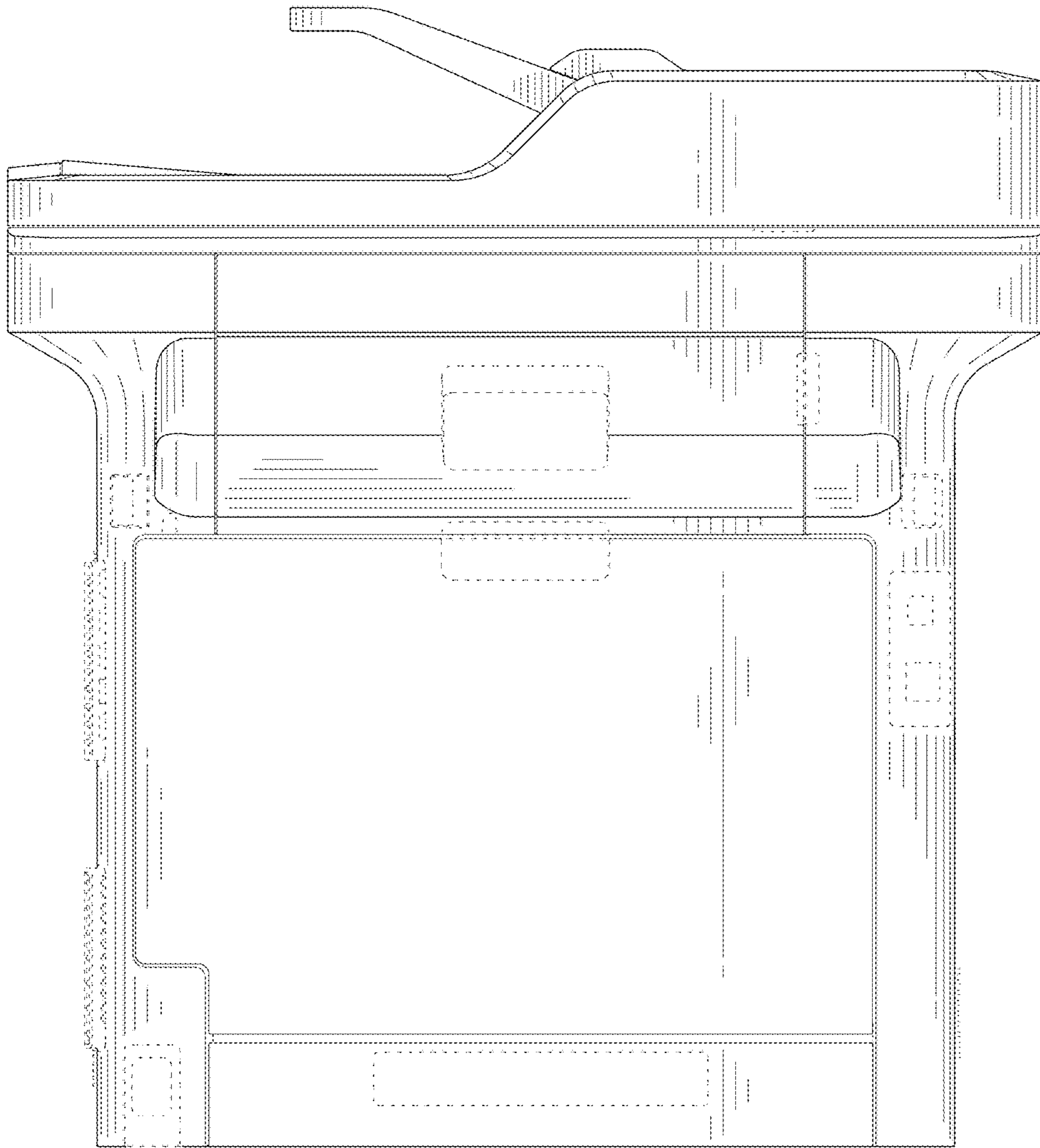


FIG. 6

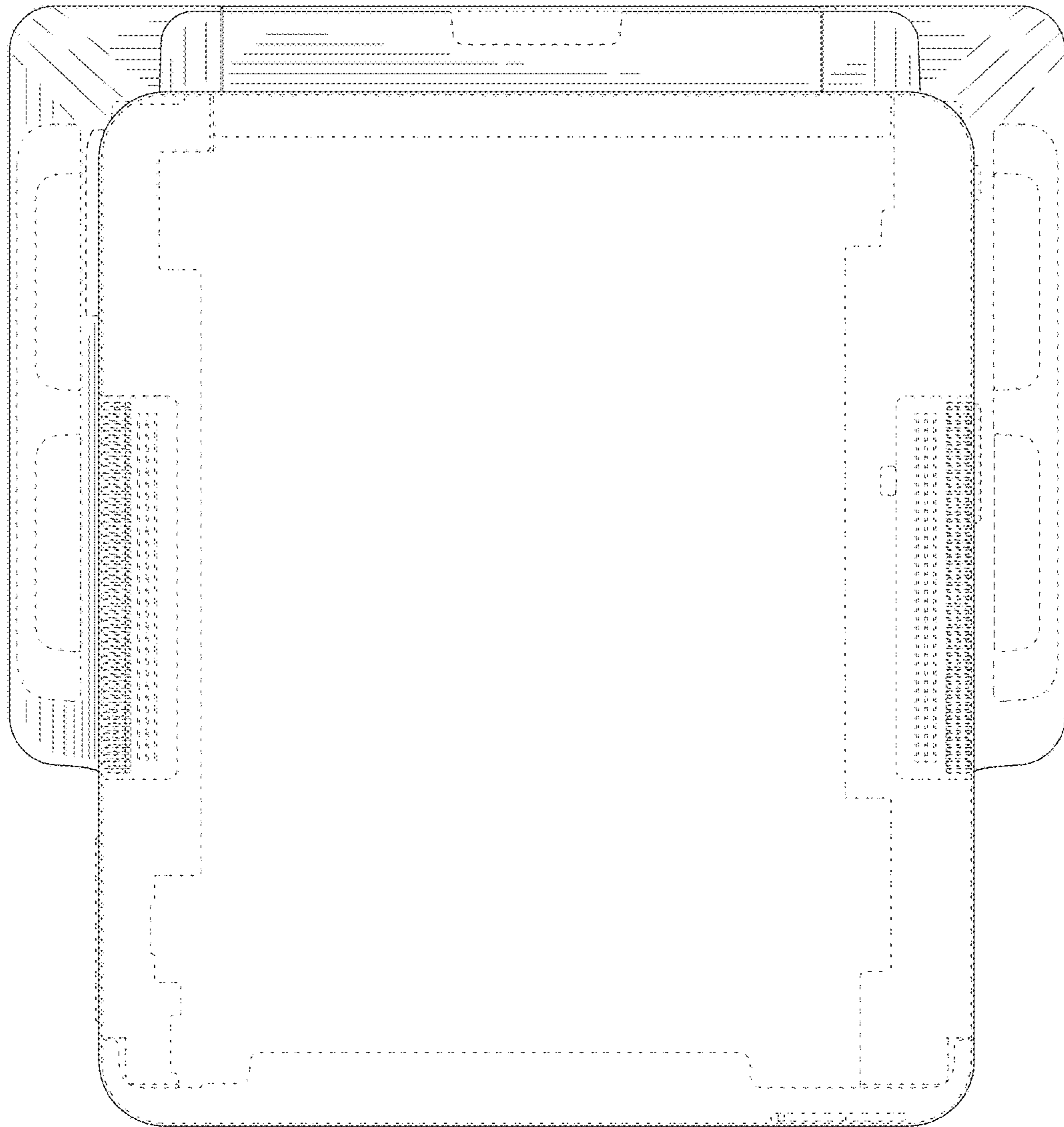


FIG. 7

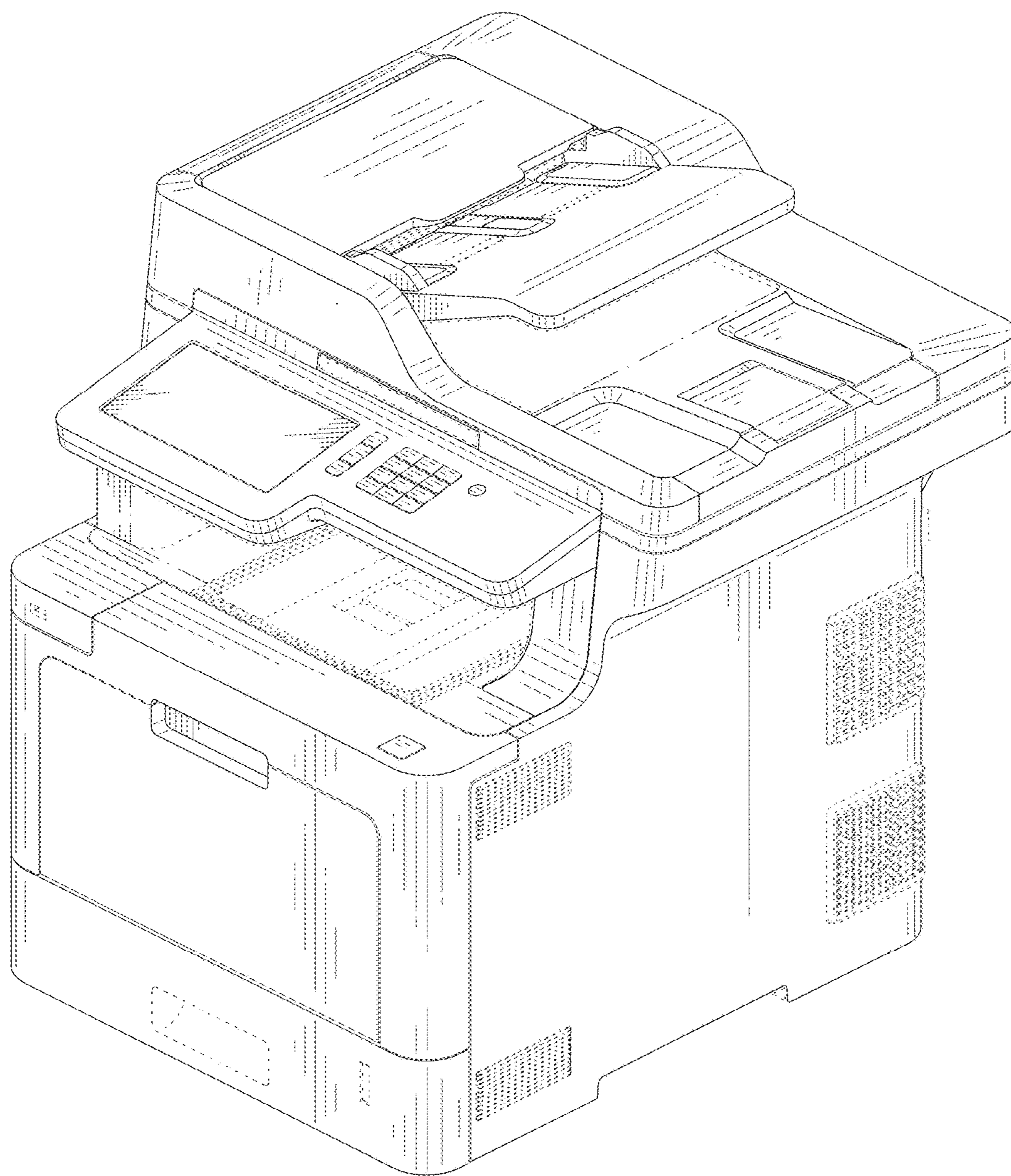


FIG. 8

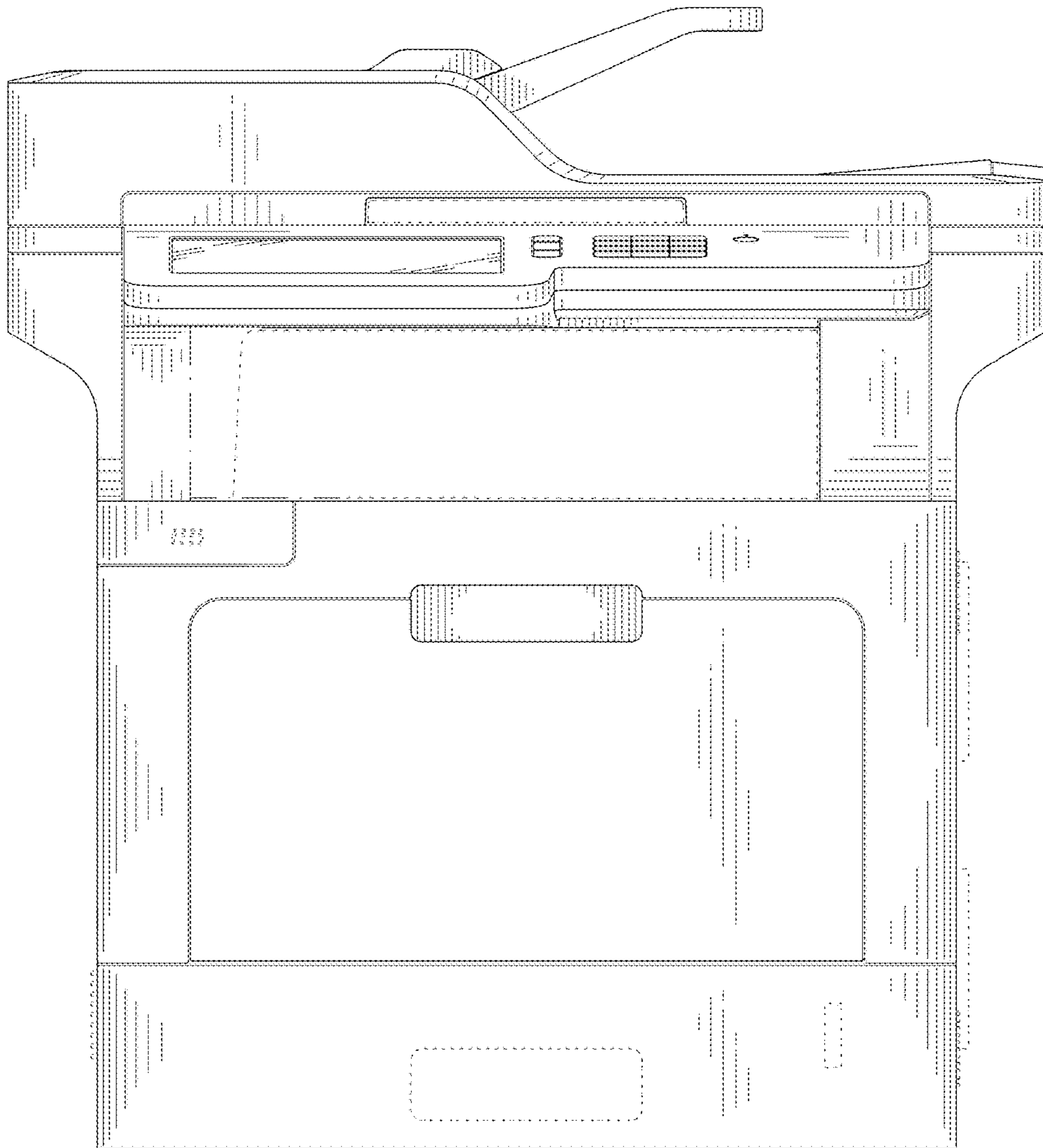


FIG. 9

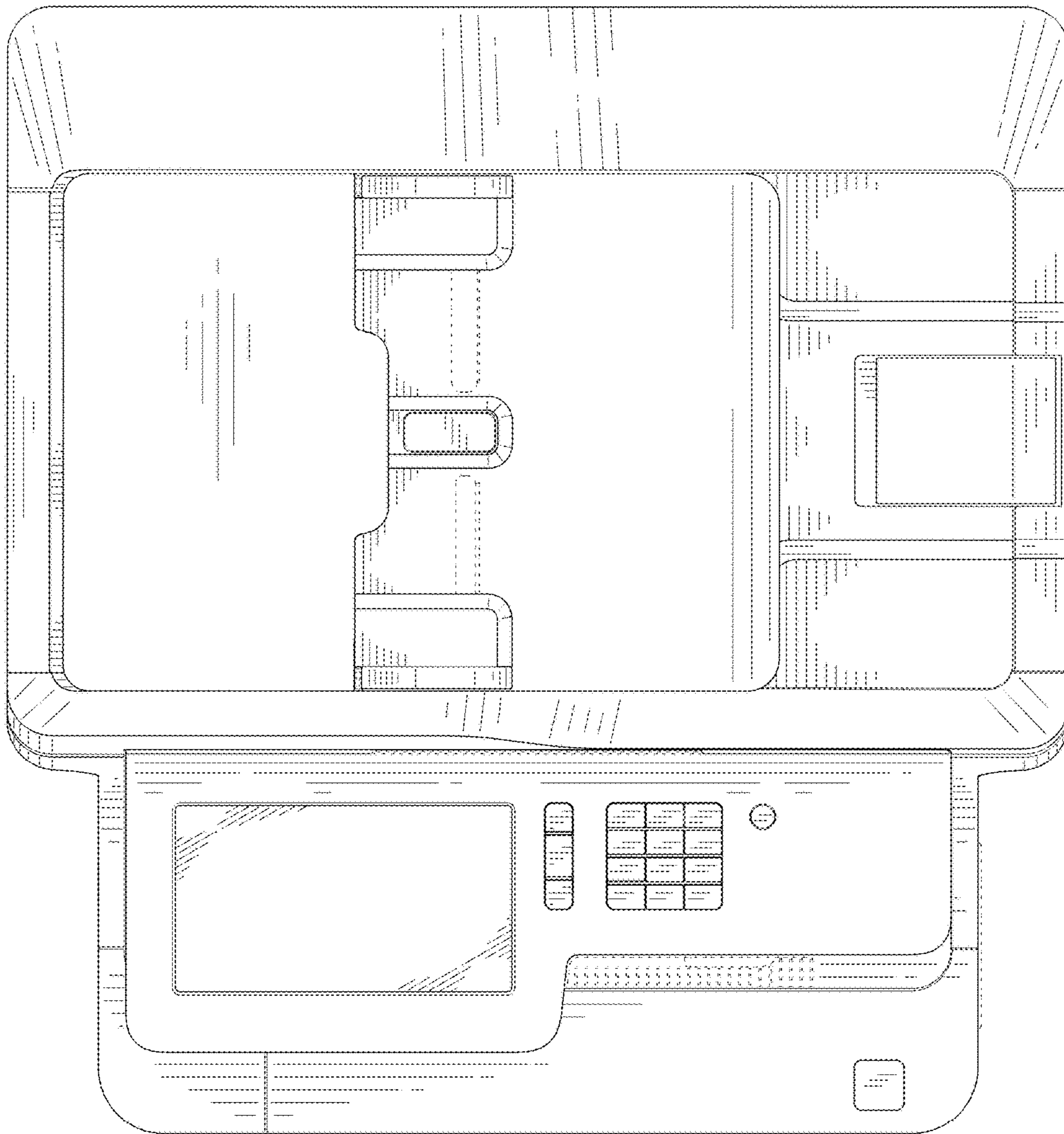


FIG. 10

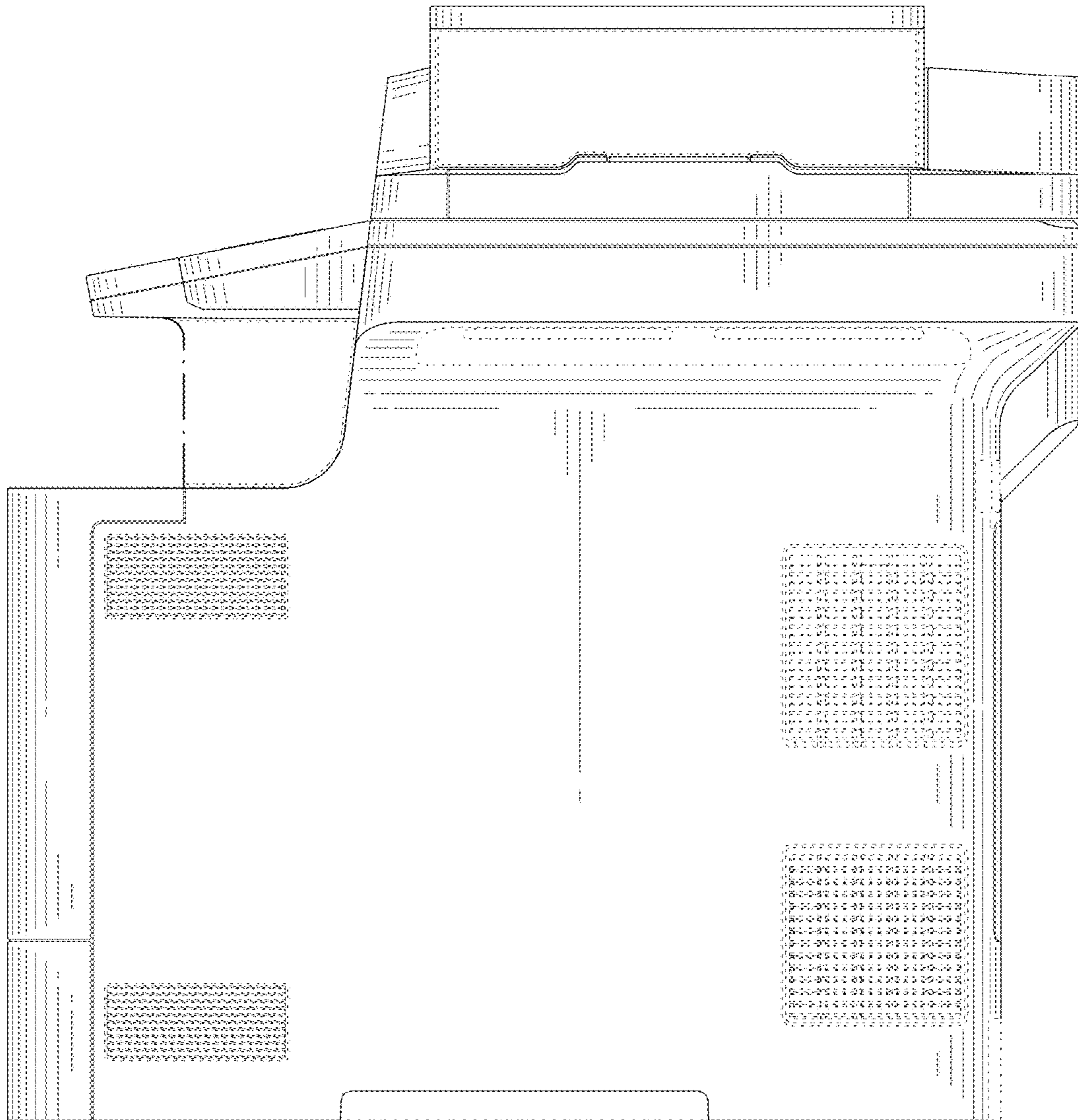


FIG. 11

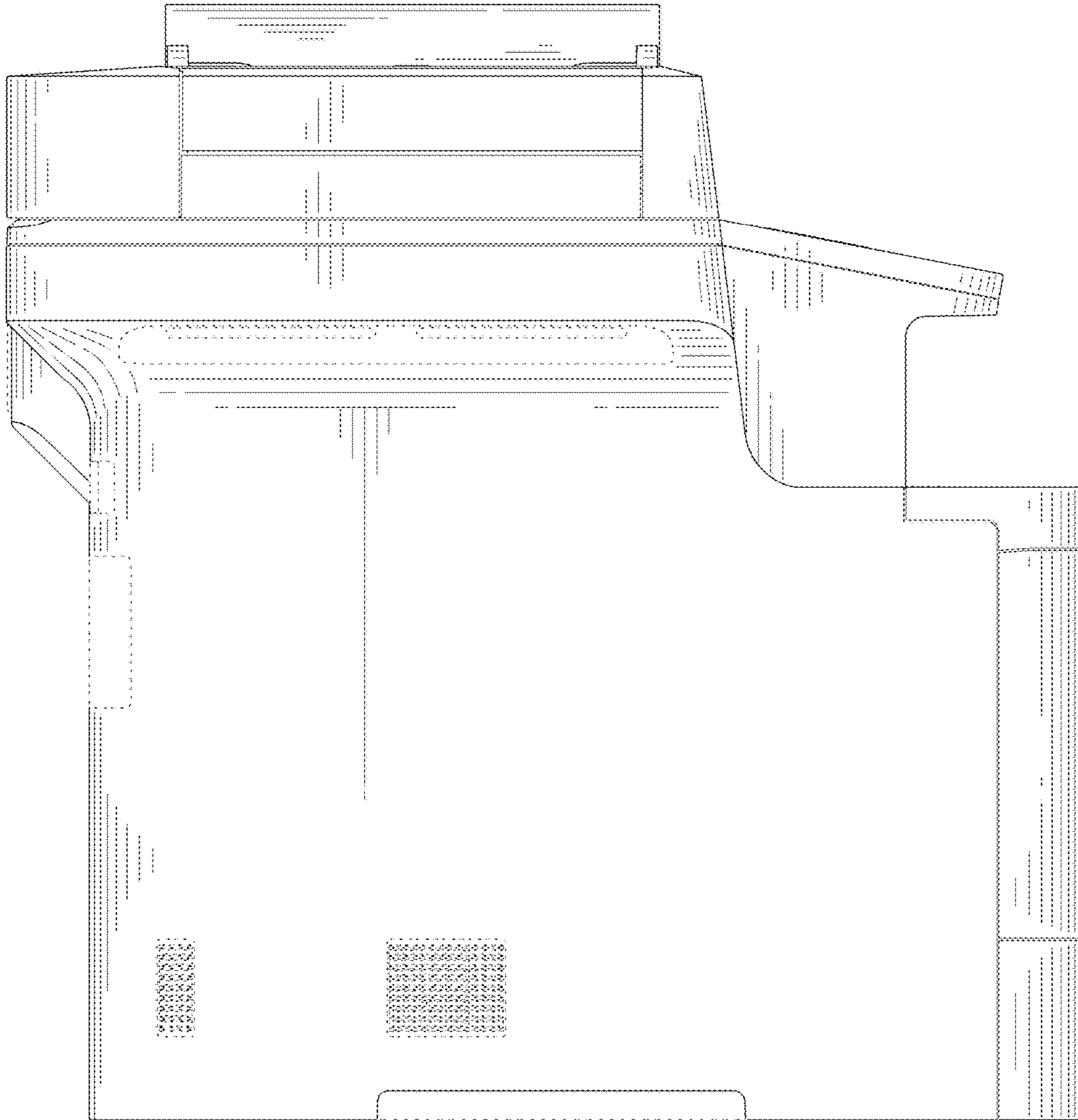


FIG. 12