



US00D821483S

(12) **United States Design Patent** (10) **Patent No.:** **US D821,483 S**
Vitale et al. (45) **Date of Patent:** **** Jun. 26, 2018**

(54) **CAMERA TRIPOD MOUNT**

(71) Applicant: **GoPro, Inc.**, San Mateo, CA (US)
(72) Inventors: **Nicholas Vitale**, Foster City, CA (US);
Michael Paterson, San Francisco, CA (US)
(73) Assignee: **GoPro, Inc.**, San Mateo, CA (US)
(**) Term: **15 Years**
(21) Appl. No.: **29/572,186**

(22) Filed: **Jul. 26, 2016**
(51) **LOC (11) Cl.** **16-05**
(52) **U.S. Cl.**
USPC **D16/244**

(58) **Field of Classification Search**
USPC D6/312, 701; D8/354–355, 373,
D8/394–395; D14/217, 229, 250–253;
D16/213–219, 235, 237–250
CPC G01P 3/00; G03B 17/02; G03B 17/03;
G03B 17/04; G03B 17/14; G03B 17/56;
H04N 5/225; H04N 5/232; F16M 11/02;
F16M 11/04; F16M 11/20; F16M 11/40
See application file for complete search history.

(56) **References Cited**

U.S. PATENT DOCUMENTS

2,054,600	A *	9/1936	Hoza	F16M 11/22 248/167
3,300,165	A *	1/1967	O’Kane	F16M 11/16 248/168
4,570,887	A *	2/1986	Banister	F16M 11/041 248/187.1
D299,244	S *	1/1989	Jones	D16/244
D326,105	S *	5/1992	Doi	D16/244
D371,149	S *	6/1996	Usui	D16/244
D421,447	S *	3/2000	Eason	D16/244
D450,339	S *	11/2001	Eason	D16/244
D552,660	S *	10/2007	Lee	D16/242
D620,491	S *	7/2010	Wu	D14/411

(Continued)

OTHER PUBLICATIONS

Pushysl SP Gadgets, posted on May 4, 2015, no copyright date posted [online], [site visited Mar. 15, 2018]. Available from Internet, <URL: <https://www.pushys.com.au/shop-by-brand/s/sp-gadgets-smartphone-and-sport-camera-mounts.html/>>.*

Primary Examiner — Philip S Hyder
Assistant Examiner — Cary M Robinson

(74) *Attorney, Agent, or Firm* — Young Basile Hanlon & MacFarlane, P.C.

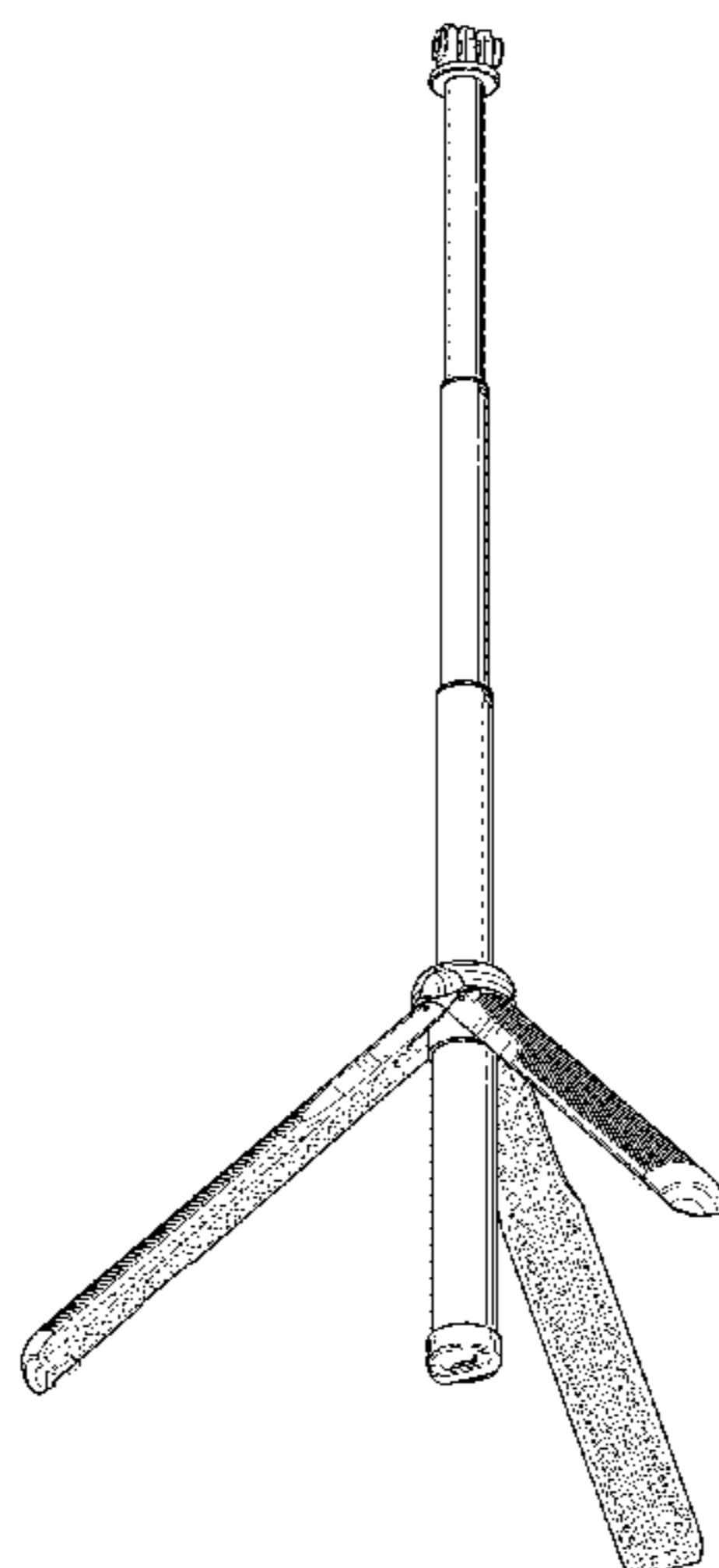
(57) **CLAIM**

The ornamental design for a camera tripod mount, as shown and described.

DESCRIPTION

FIG. 1 is a front, bottom, and right perspective view of a camera tripod mount in an expanded configuration; FIG. 2 is a rear, top, and left perspective view thereof; FIG. 3 is a rear view thereof; FIG. 4 is a front view thereof; FIG. 5 is a right view thereof; FIG. 6 is a left view thereof; FIG. 7 is a top view thereof; FIG. 8 is a bottom view thereof; FIG. 9 is a front, bottom, and right perspective view of the camera tripod mount in a folded configuration; FIG. 10 is a rear, top, and left perspective view thereof; FIG. 11 is a rear view thereof; FIG. 12 is a front view thereof; FIG. 13 is a left view thereof; FIG. 14 is a right view thereof; FIG. 15 is a top view thereof; and, FIG. 16 is a bottom view thereof. The broken lines in the drawings illustrate portions of the camera tripod mount in which the design is embodied and form no part of the claimed design.

1 Claim, 16 Drawing Sheets



(56)

References Cited

U.S. PATENT DOCUMENTS

D632,720 S	*	2/2011	Barker	D16/244
D673,204 S	*	12/2012	Bae	D16/244
D720,384 S	*	12/2014	Holmen	D16/244
D788,207 S	*	5/2017	Glazer	D16/242
D794,699 S	*	8/2017	Bin-Nun	D16/244
D800,206 S	*	10/2017	Moon	D16/244
D807,421 S	*	1/2018	Yin	D16/244

* cited by examiner

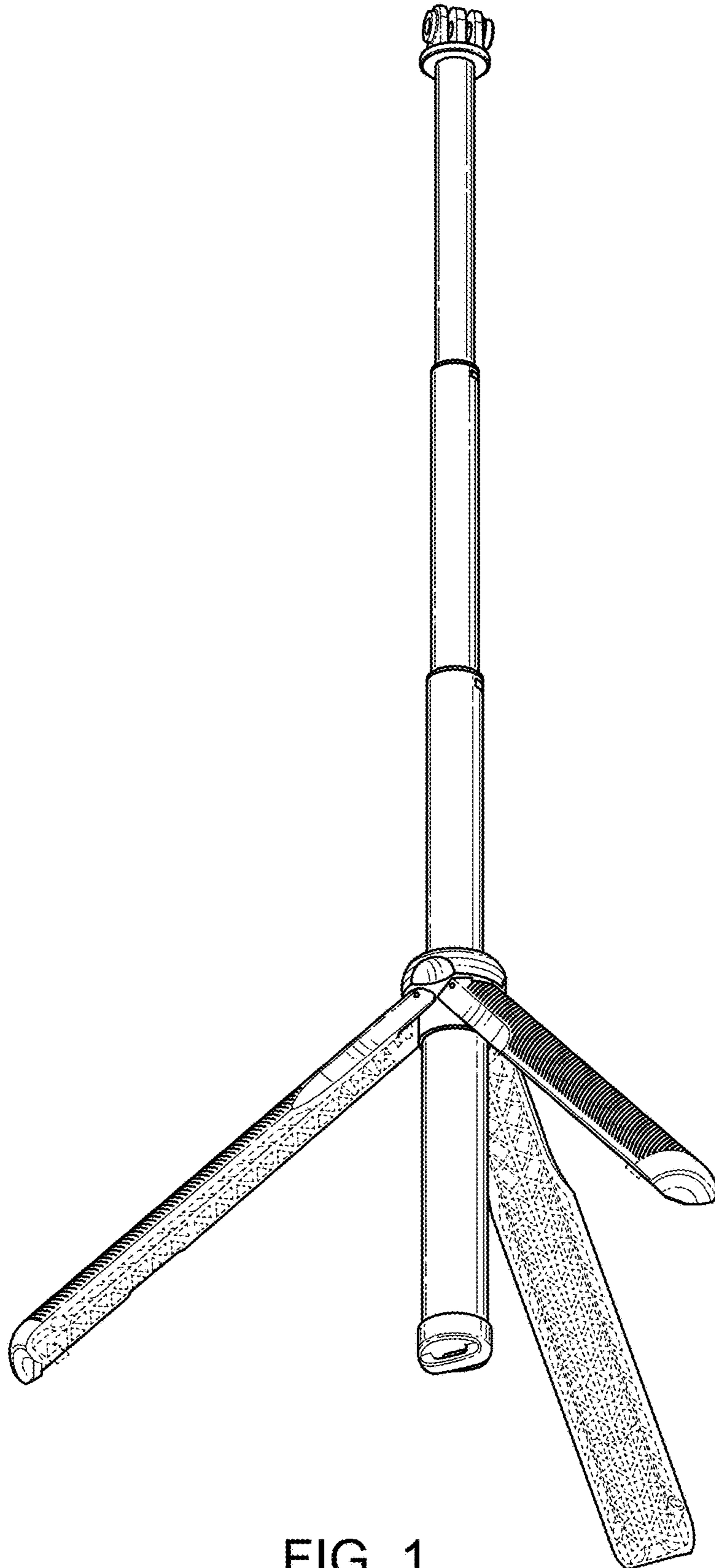


FIG. 1

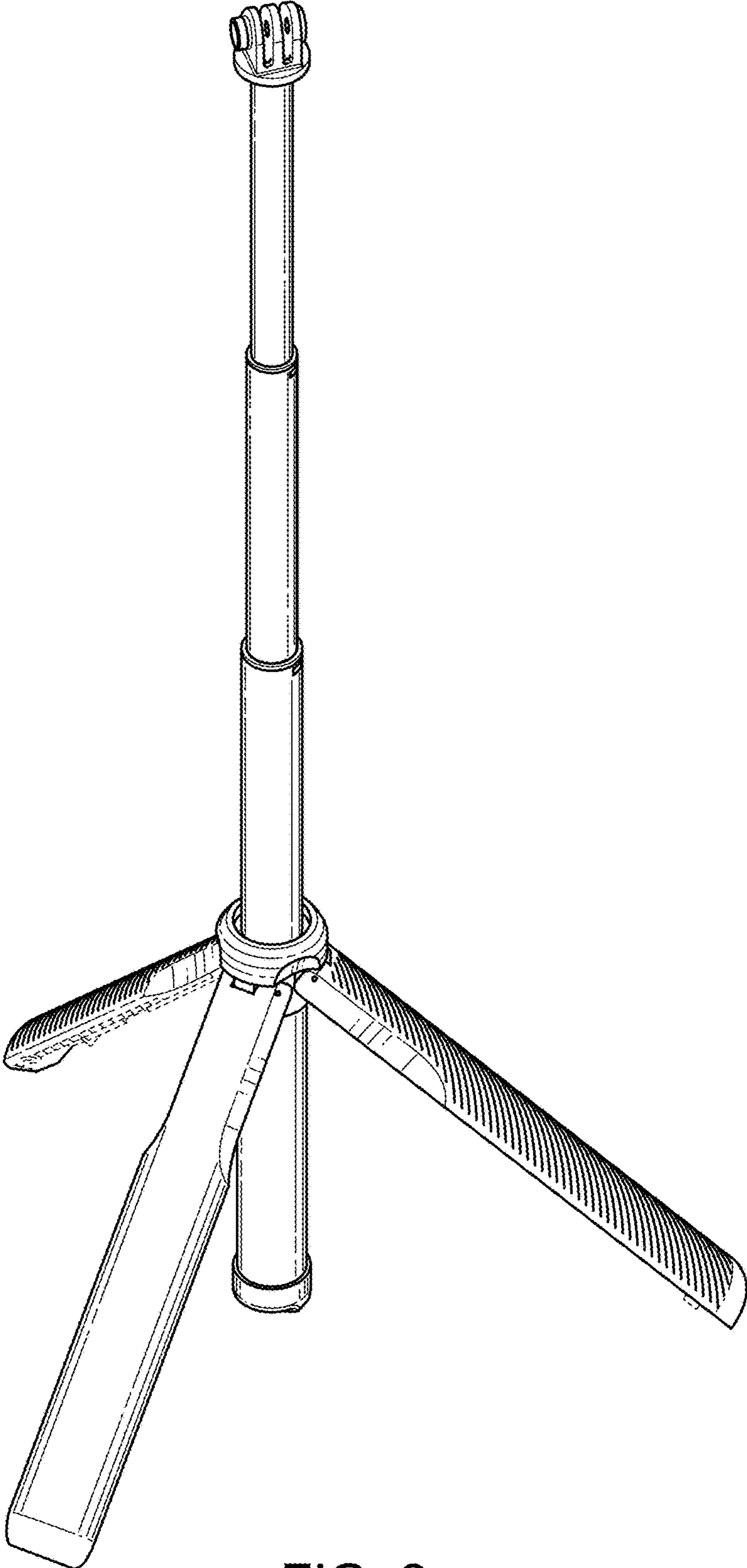


FIG. 2

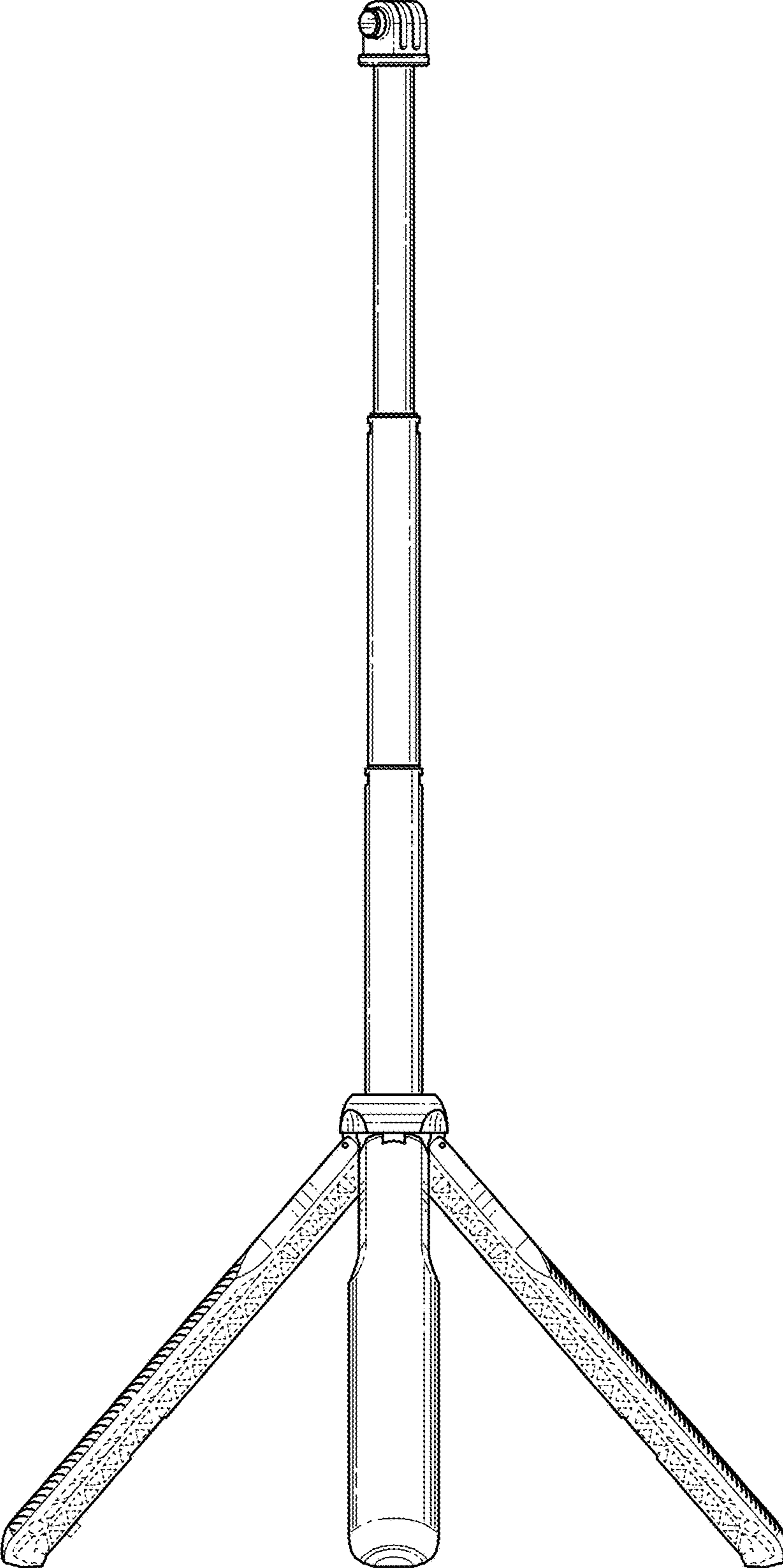


FIG. 3

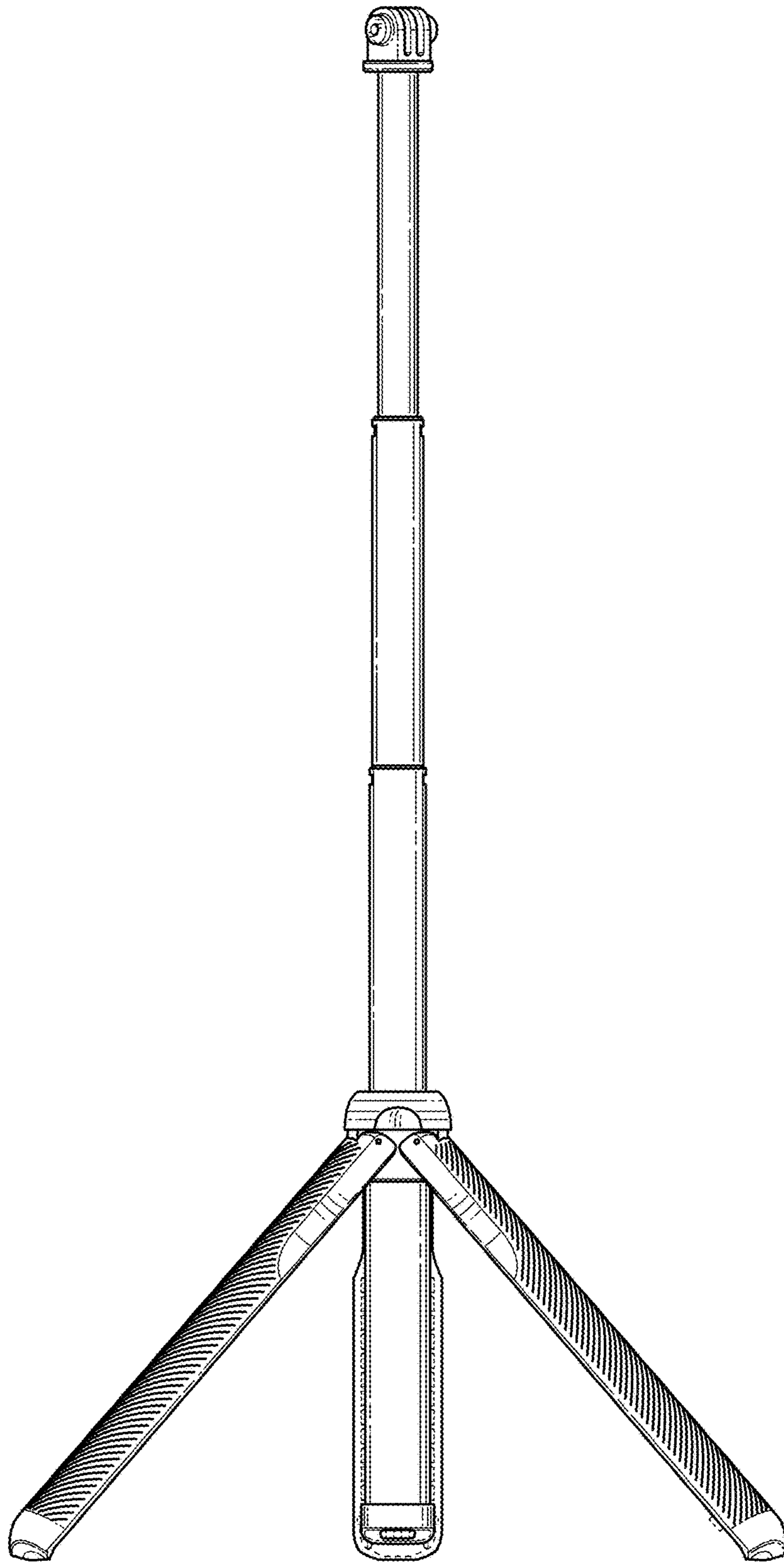


FIG. 4

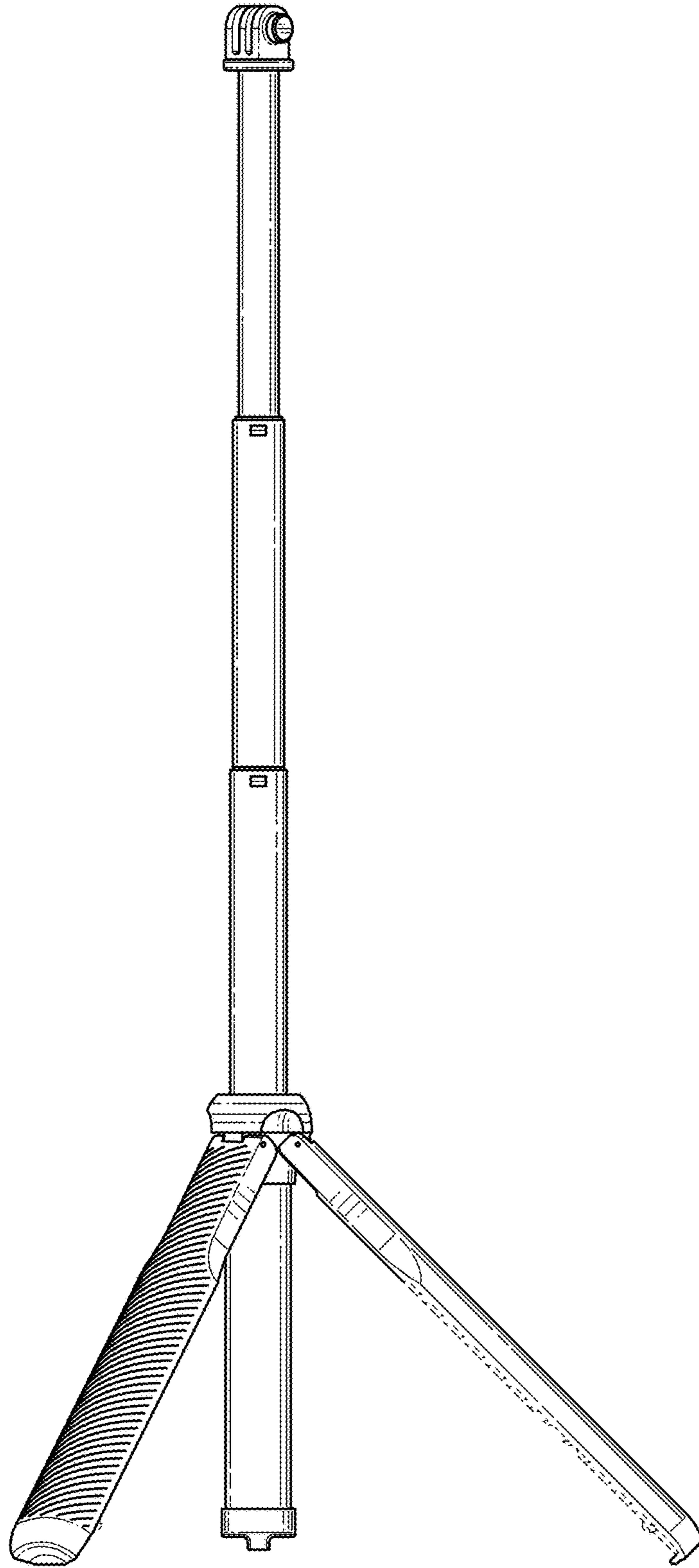


FIG. 5

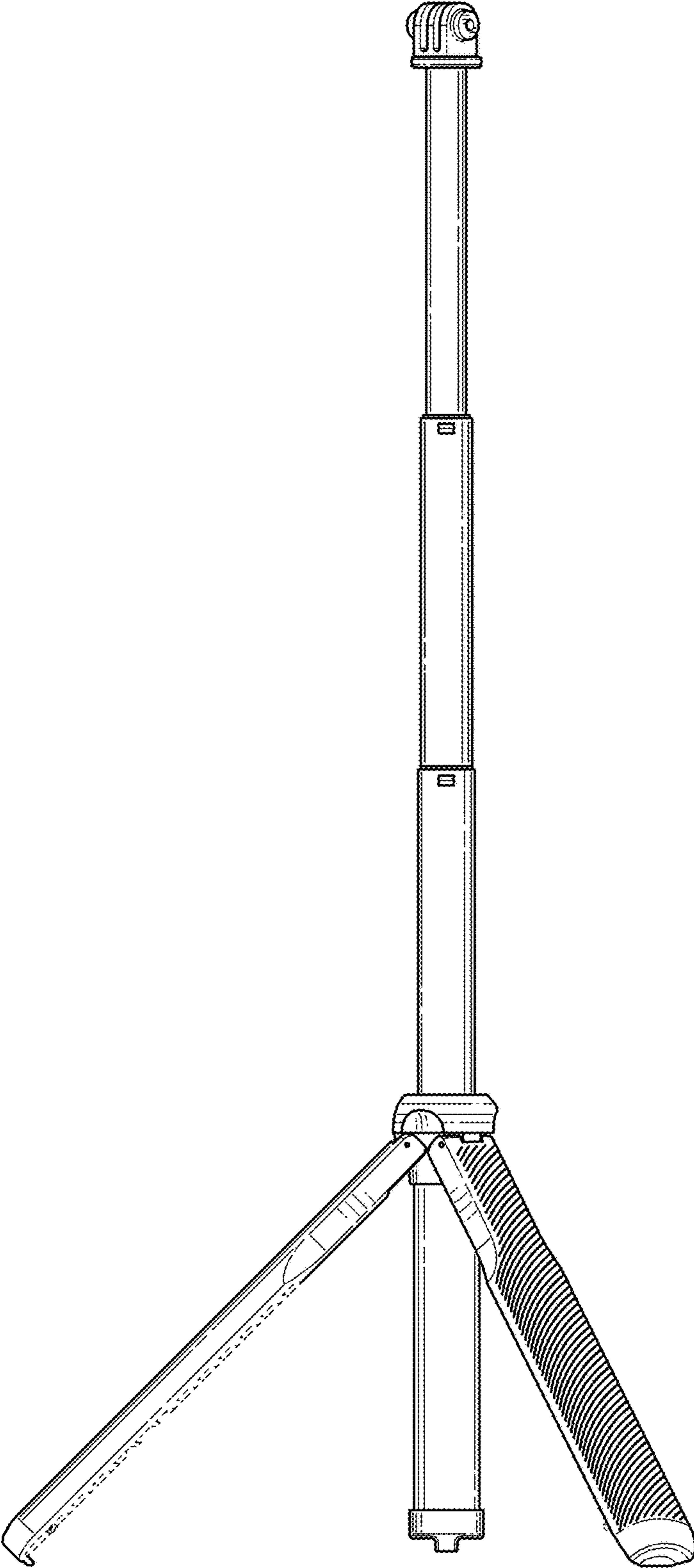


FIG. 6

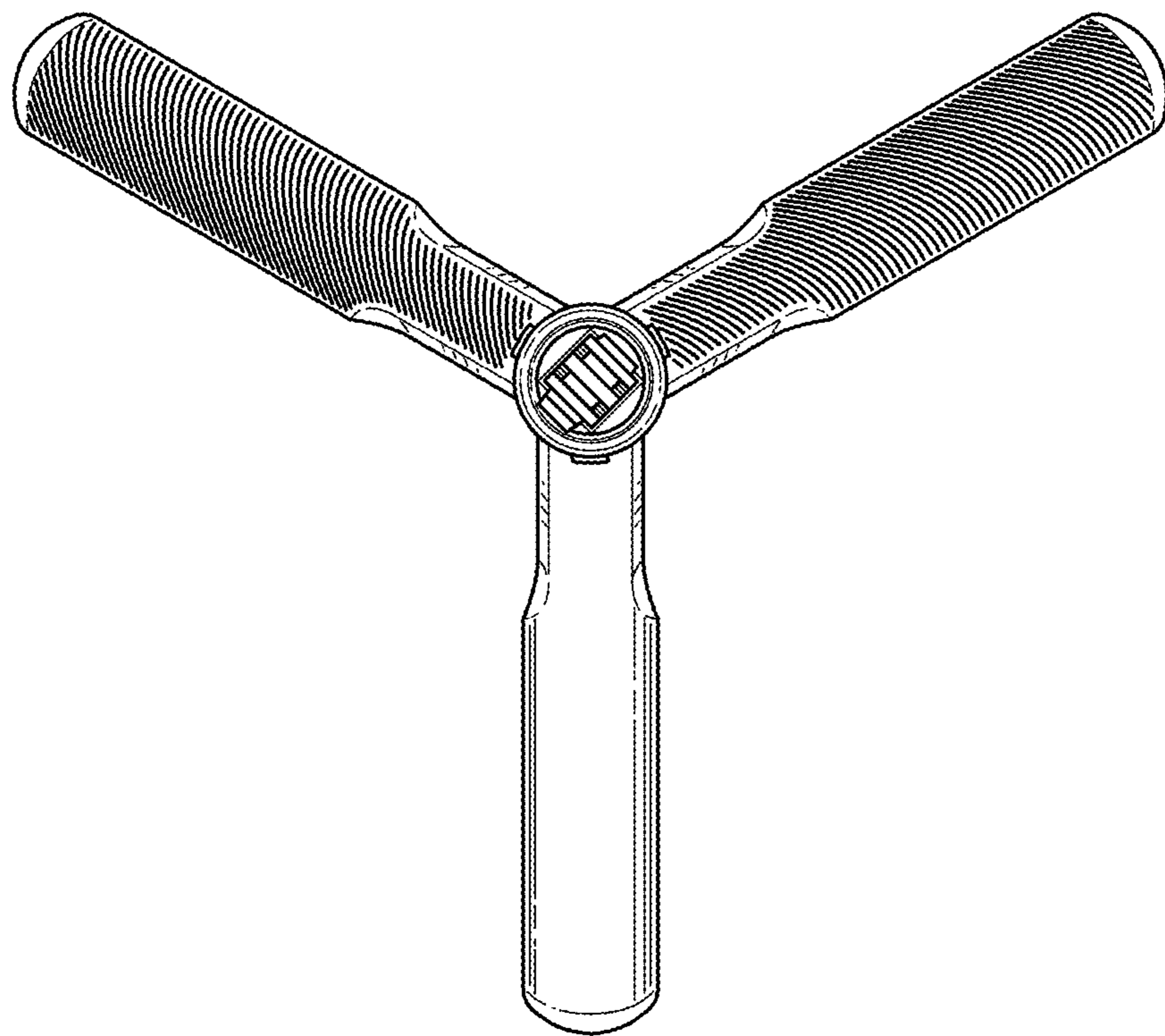


FIG. 7

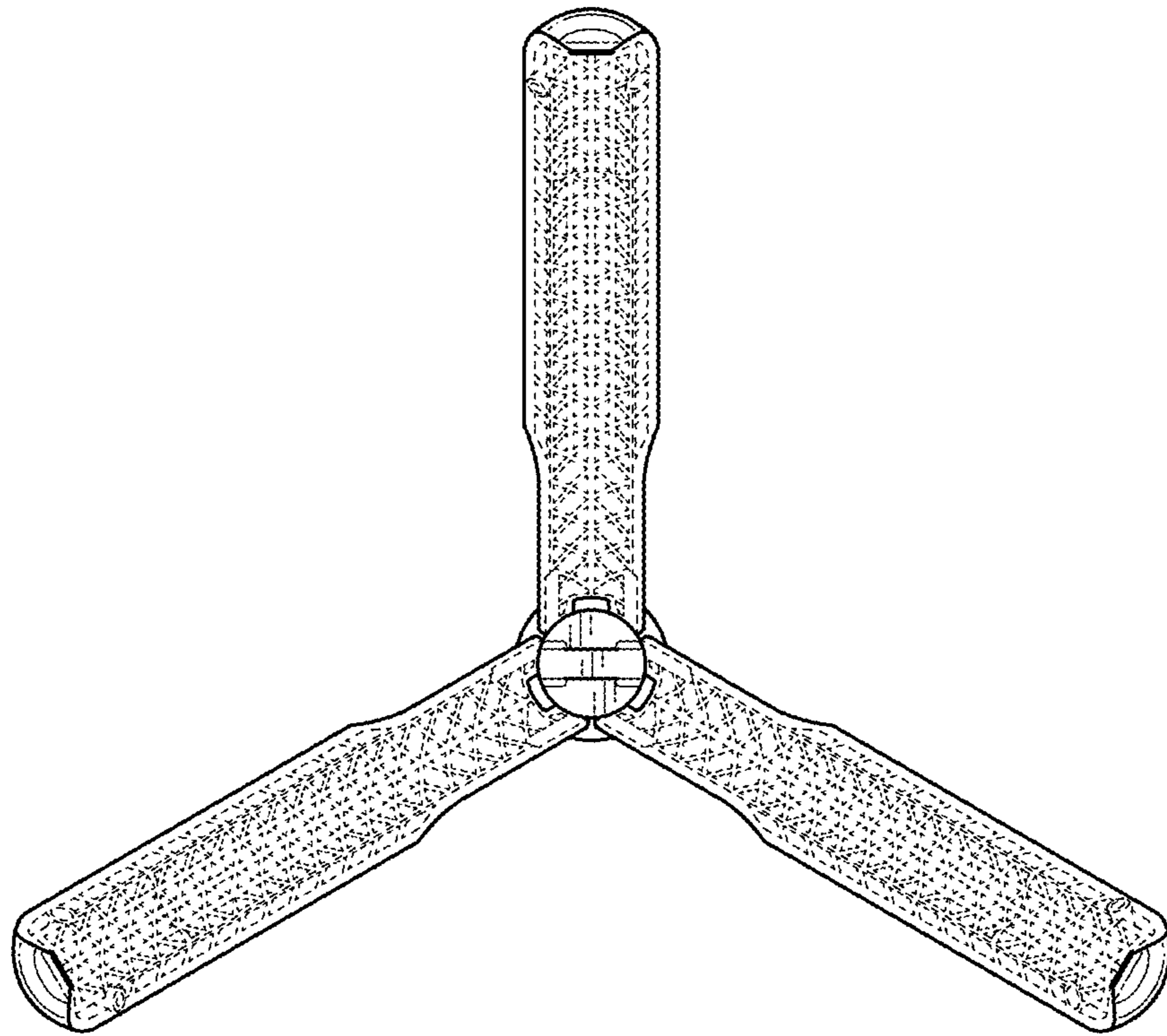


FIG. 8

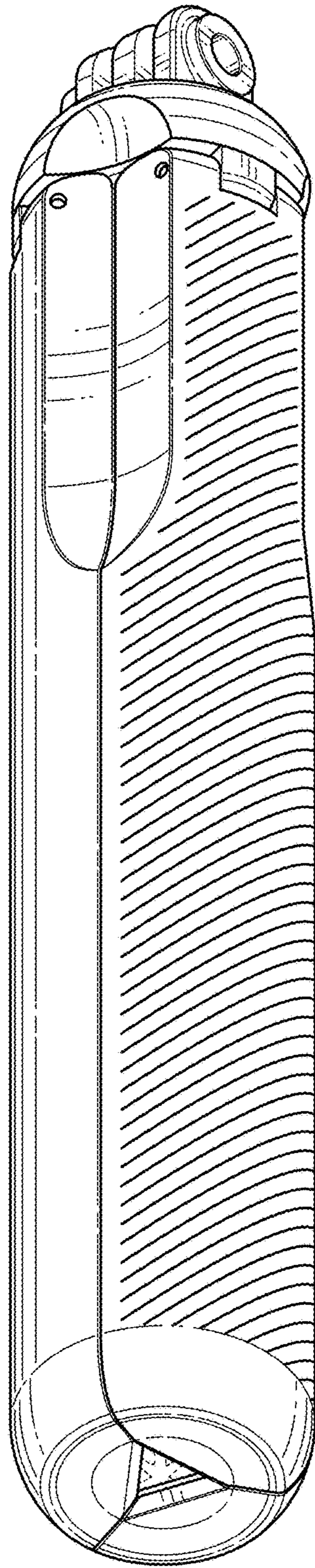


FIG. 9

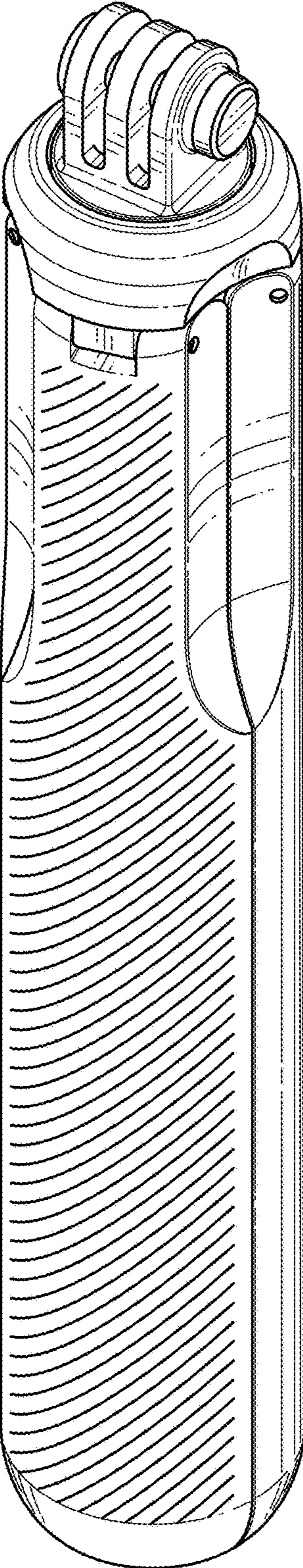


FIG. 10

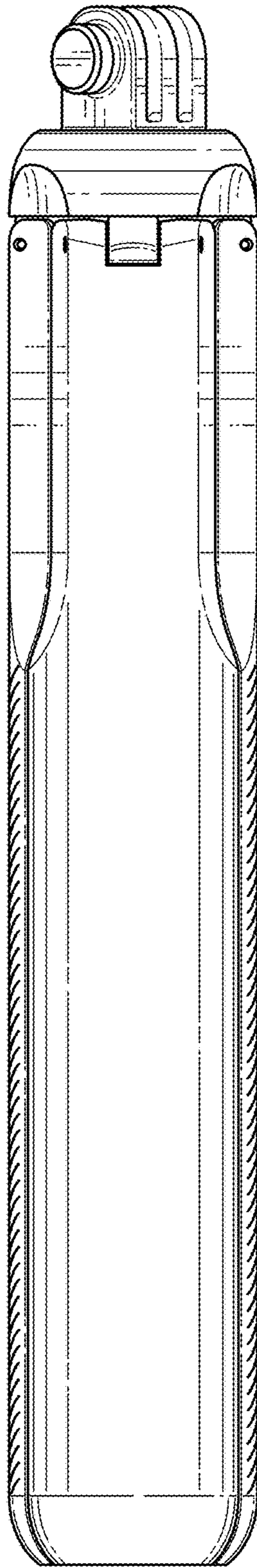


FIG. 11

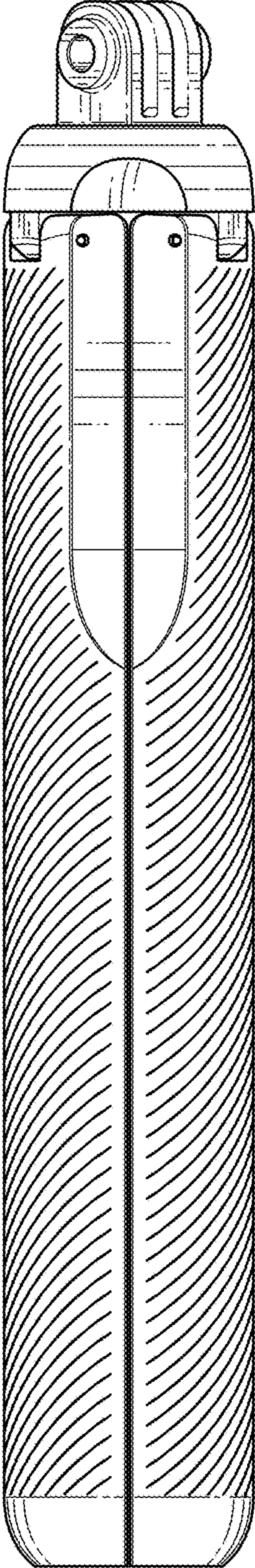


FIG. 12

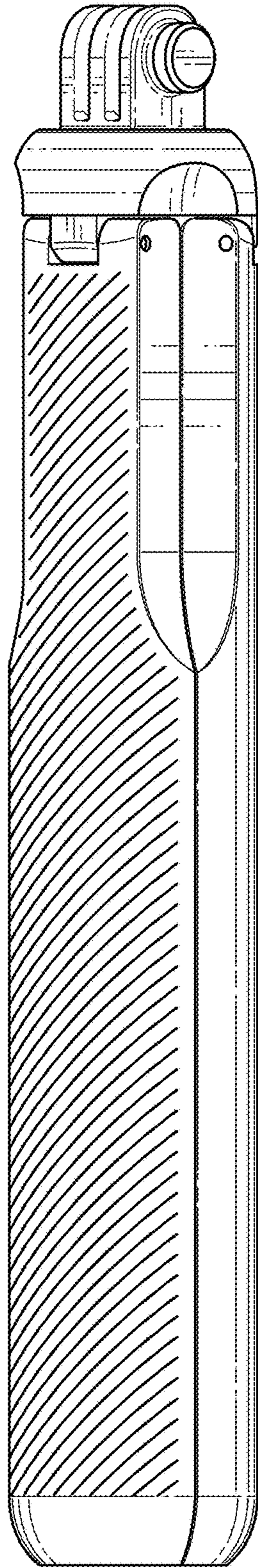


FIG. 13

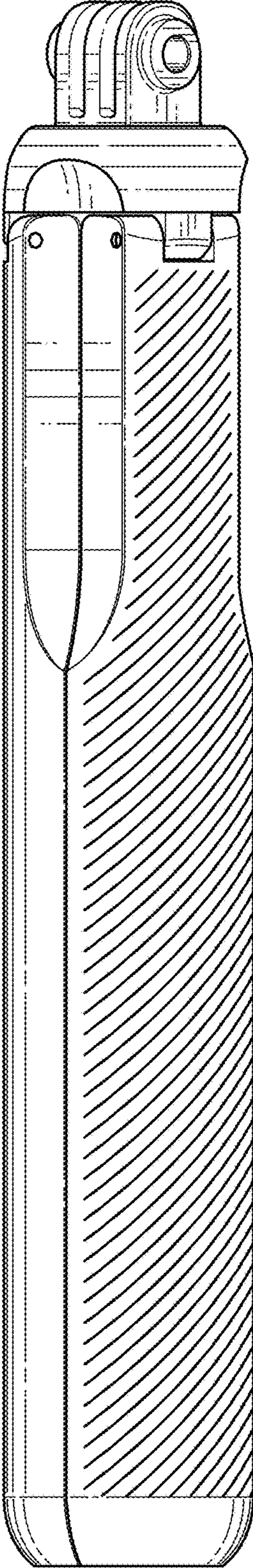


FIG. 14

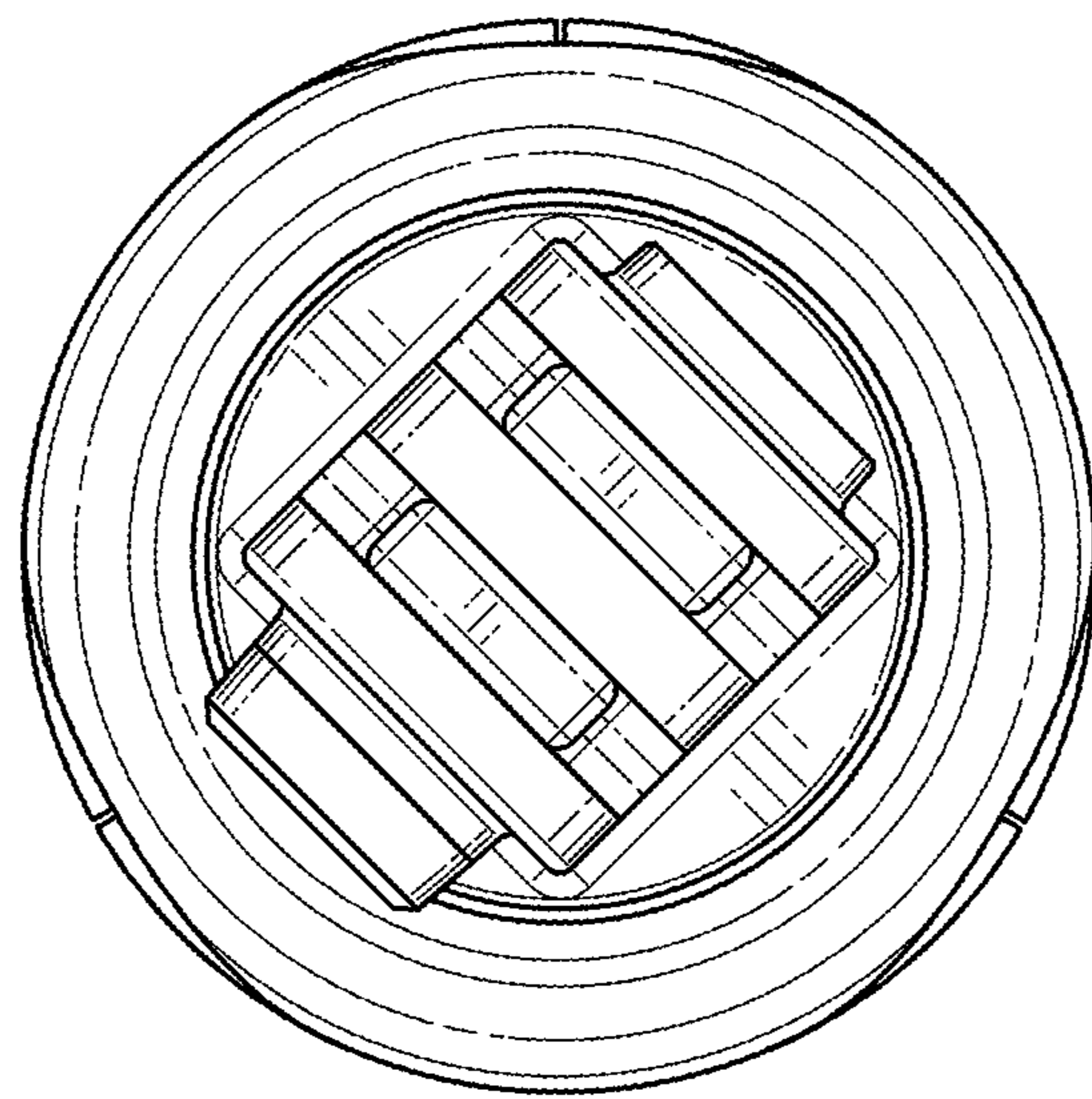


FIG. 15

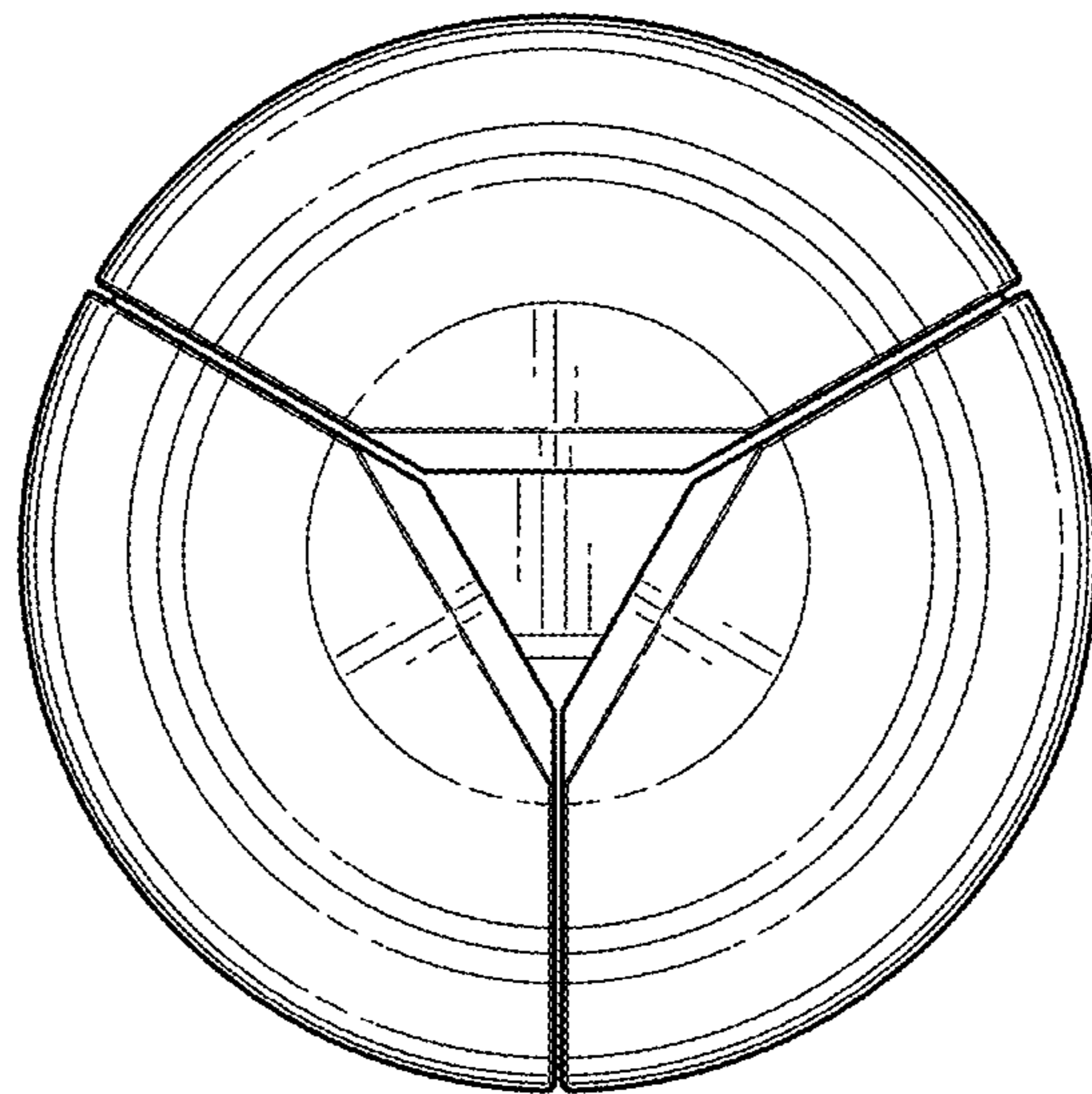


FIG. 16