



US00D821482S

(12) **United States Design Patent**  
**Bacon et al.**

(10) **Patent No.:** **US D821,482 S**  
(45) **Date of Patent:** **\*\* Jun. 26, 2018**

(54) **LENS HOOD**

(71) Applicant: **GoPro, Inc.**, San Mateo, CA (US)

(72) Inventors: **Charles Bacon**, San Francisco, CA (US); **Adam Thomas Blumer**, San Francisco, CA (US)

(73) Assignee: **GoPro, Inc.**, San Mateo, CA (US)

(\*\*) Term: **15 Years**

(21) Appl. No.: **29/561,154**

(22) Filed: **Apr. 13, 2016**

(51) **LOC (11) Cl.** ..... **16-05**

(52) **U.S. Cl.**  
USPC ..... **D16/237**; D16/219

(58) **Field of Classification Search**  
USPC ..... D16/134, 136, 200, 202–205, 218, 219,  
D16/235, 237, 242; 348/373–376;  
359/826–828; 396/529–532, 535, 534,  
396/539–541  
CPC ..... G03B 17/02; G03B 19/04; G03B 17/56;  
G03B 17/04; G03B 17/14; G03B 15/03;  
G02B 7/02; G02B 7/04; G02B 7/14;  
H04N 5/2251; H04N 5/2252; H04N  
5/2253; H04N 5/2254

See application file for complete search history.

(56) **References Cited**

**U.S. PATENT DOCUMENTS**

D417,681 S \* 12/1999 Hayashi ..... D16/134  
D515,611 S \* 2/2006 Sato ..... D16/134  
D573,625 S \* 7/2008 Watanabe ..... D16/134

D702,749 S \* 4/2014 Kim ..... D16/219  
D702,751 S \* 4/2014 Yoon ..... D16/219  
D702,754 S \* 4/2014 Bould ..... D16/237  
D726,803 S \* 4/2015 Noh ..... D16/219  
D735,260 S \* 7/2015 Bould ..... D16/237  
D737,358 S \* 8/2015 Park ..... D16/219  
D741,938 S \* 10/2015 Lee ..... D16/219  
D743,471 S \* 11/2015 Oh ..... D16/134  
D746,352 S \* 12/2015 Ryterski ..... D16/219  
D751,135 S \* 3/2016 Bould ..... D16/237

\* cited by examiner

*Primary Examiner* — Philip S Hyder

*Assistant Examiner* — Ramzi Almatrahi

(74) *Attorney, Agent, or Firm* — Young Basile Hanlon & MacFarlane, P.C.

(57) **CLAIM**

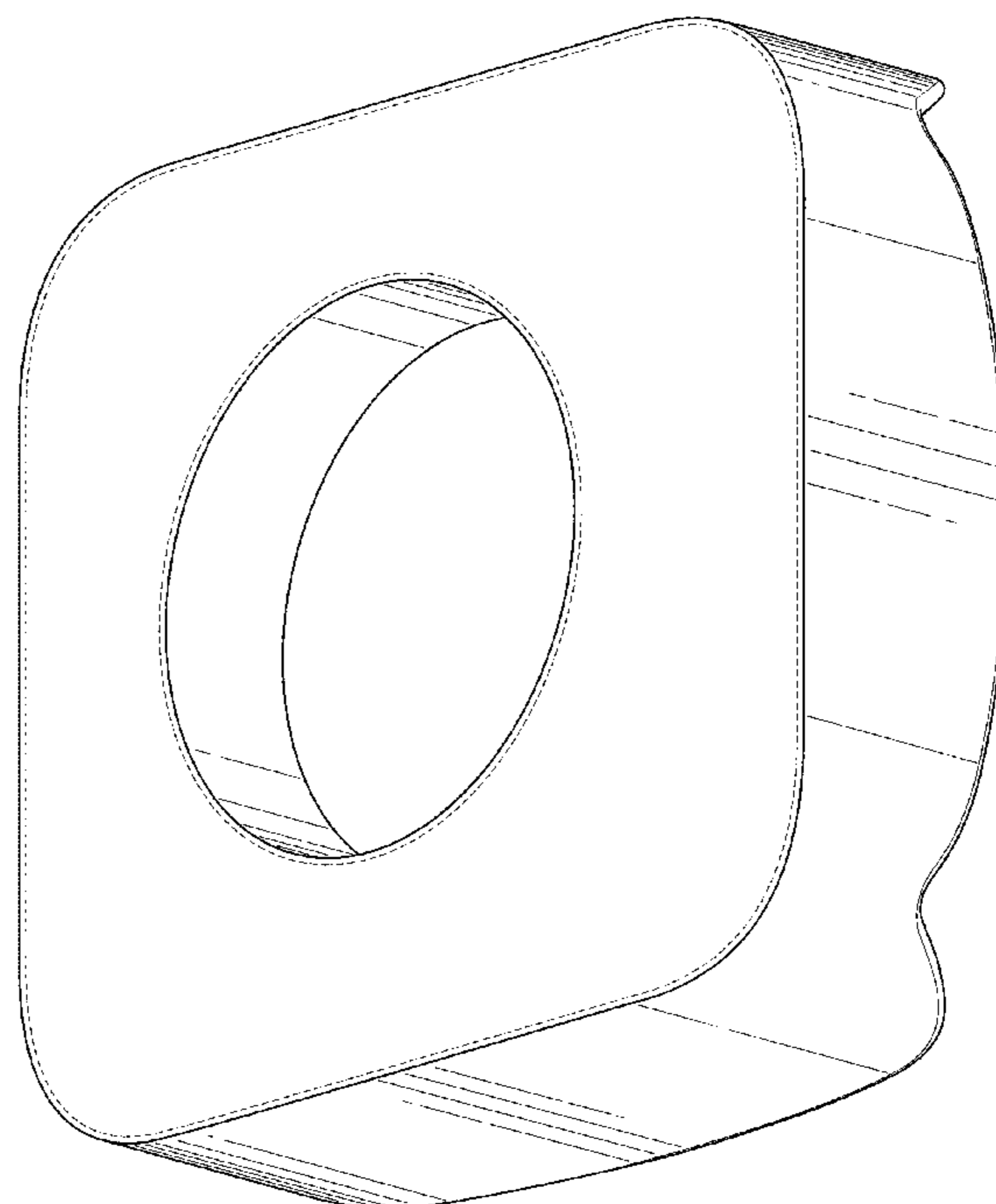
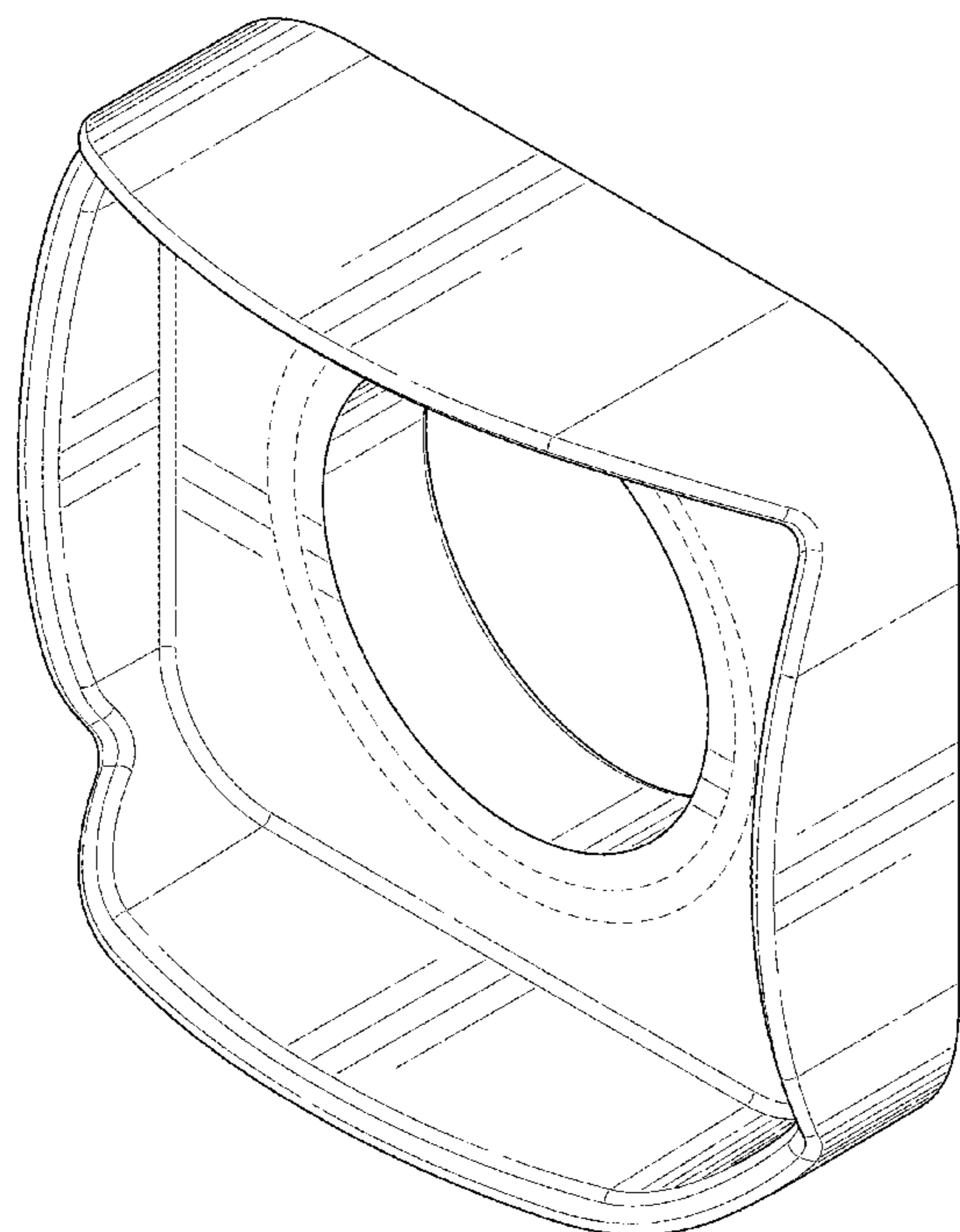
The ornamental design for a lens hood, as shown and described.

**DESCRIPTION**

FIG. 1 is a front, top, and right side perspective view of an embodiment of a lens hood;  
FIG. 2 is a rear, bottom, and left side perspective view thereof;  
FIG. 3 is a front elevational view thereof;  
FIG. 4 is a rear elevational view thereof;  
FIG. 5 is a left side elevational view thereof;  
FIG. 6 is a right side elevational view thereof;  
FIG. 7 is a top plan view thereof; and,  
FIG. 8 is a bottom plan view thereof.

The broken lines depict portions of the lens hood in which the design is embodied that form no part of the claimed design.

**1 Claim, 8 Drawing Sheets**



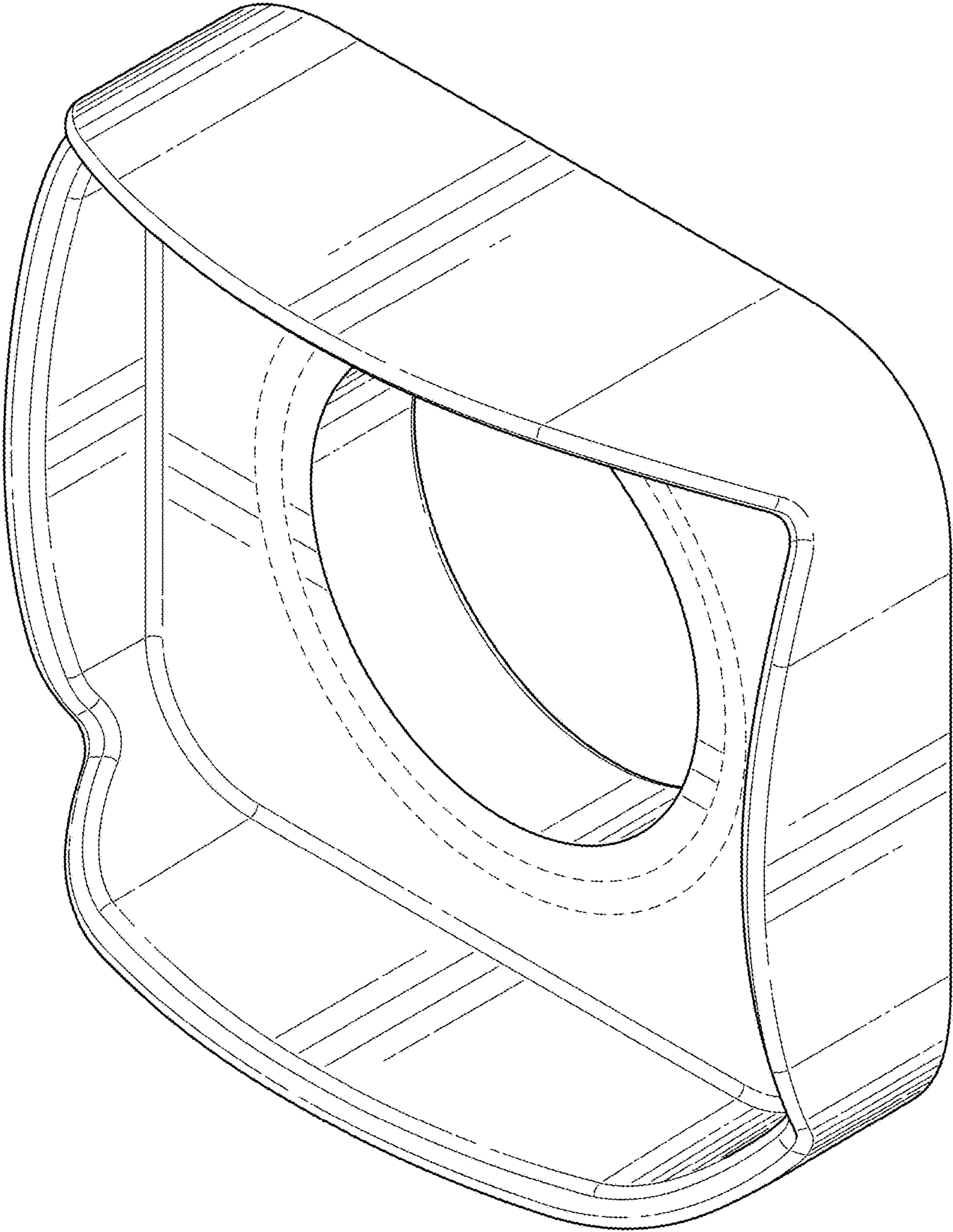


FIG. 1

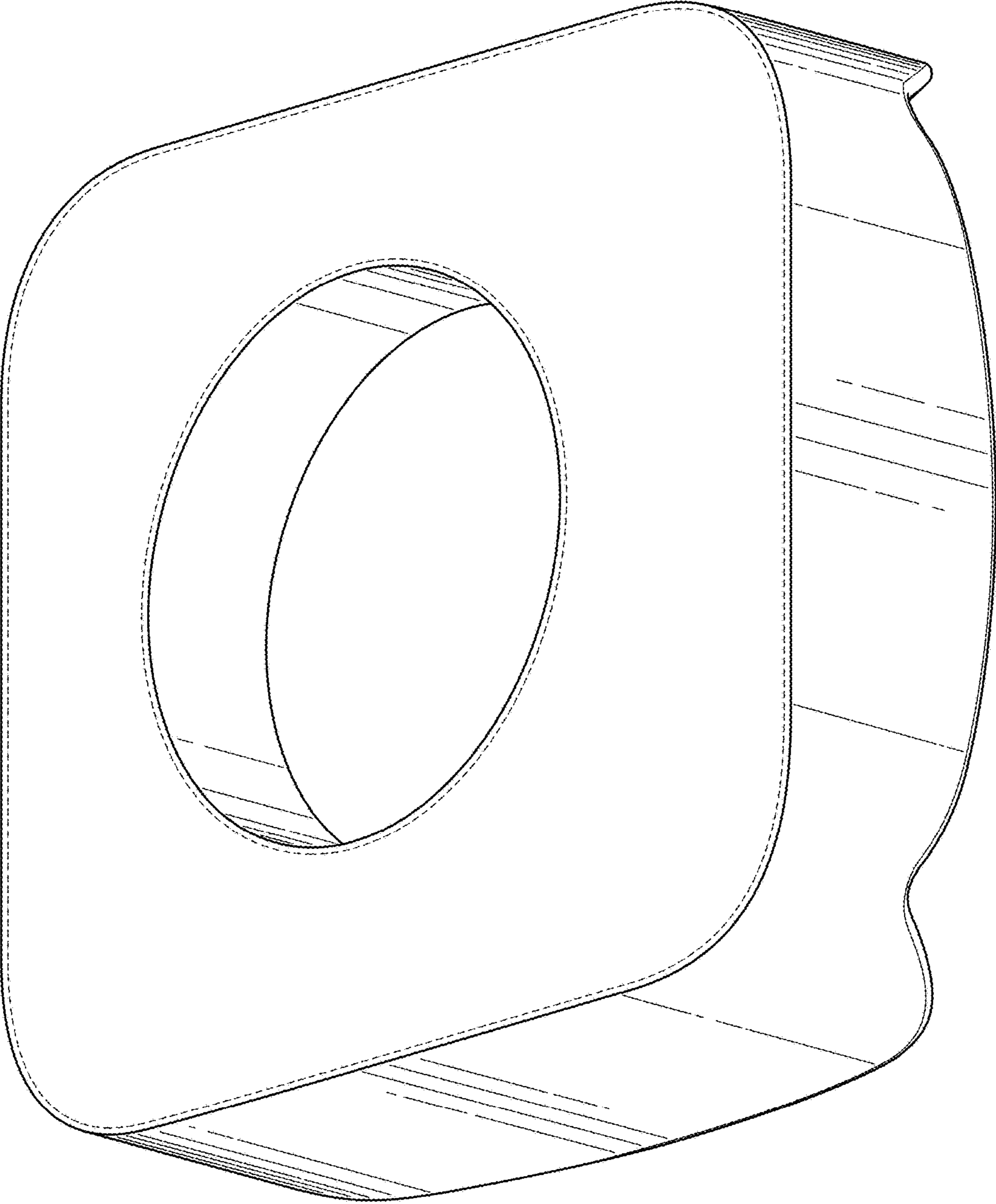


FIG. 2

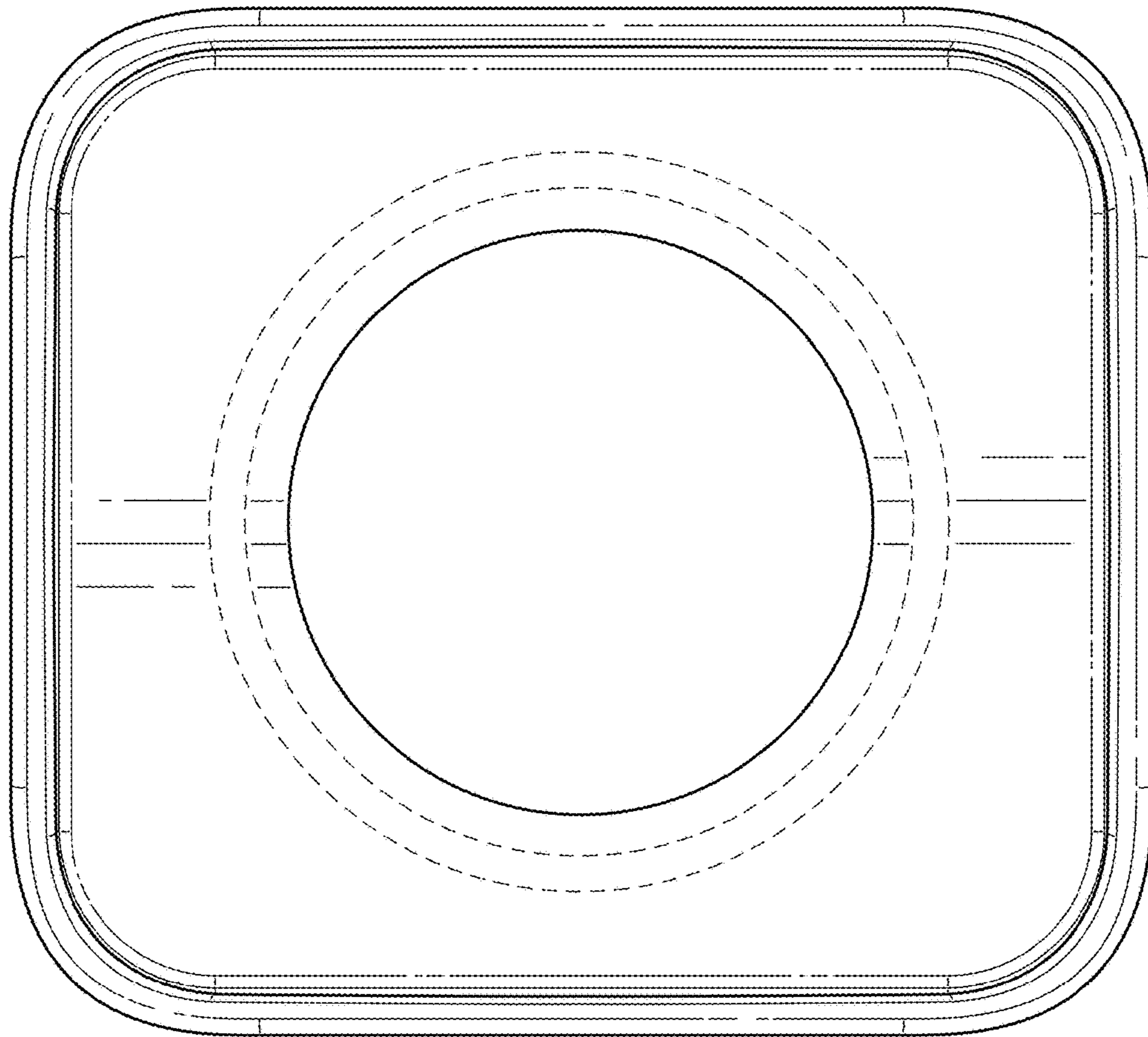


FIG. 3

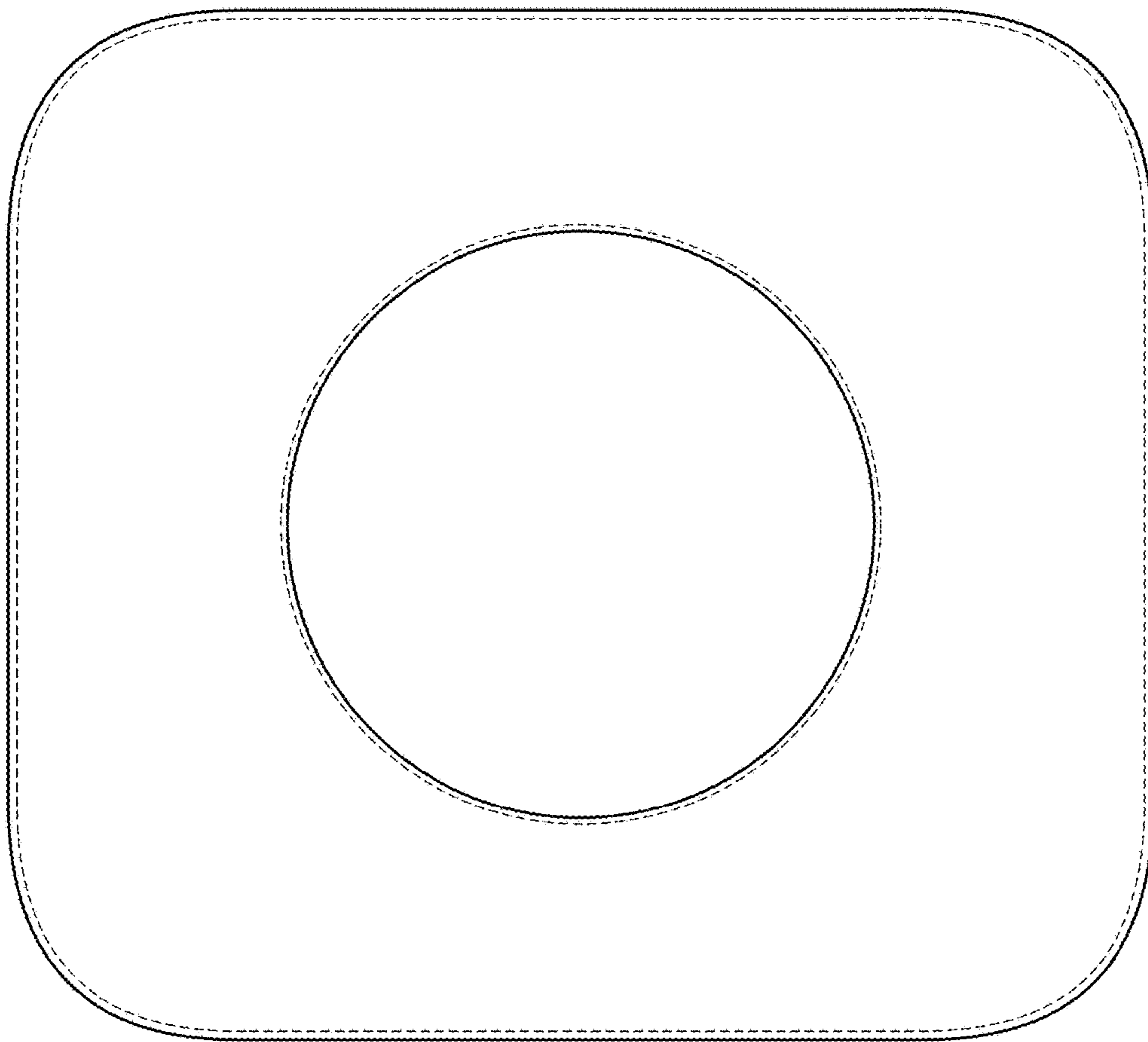


FIG. 4

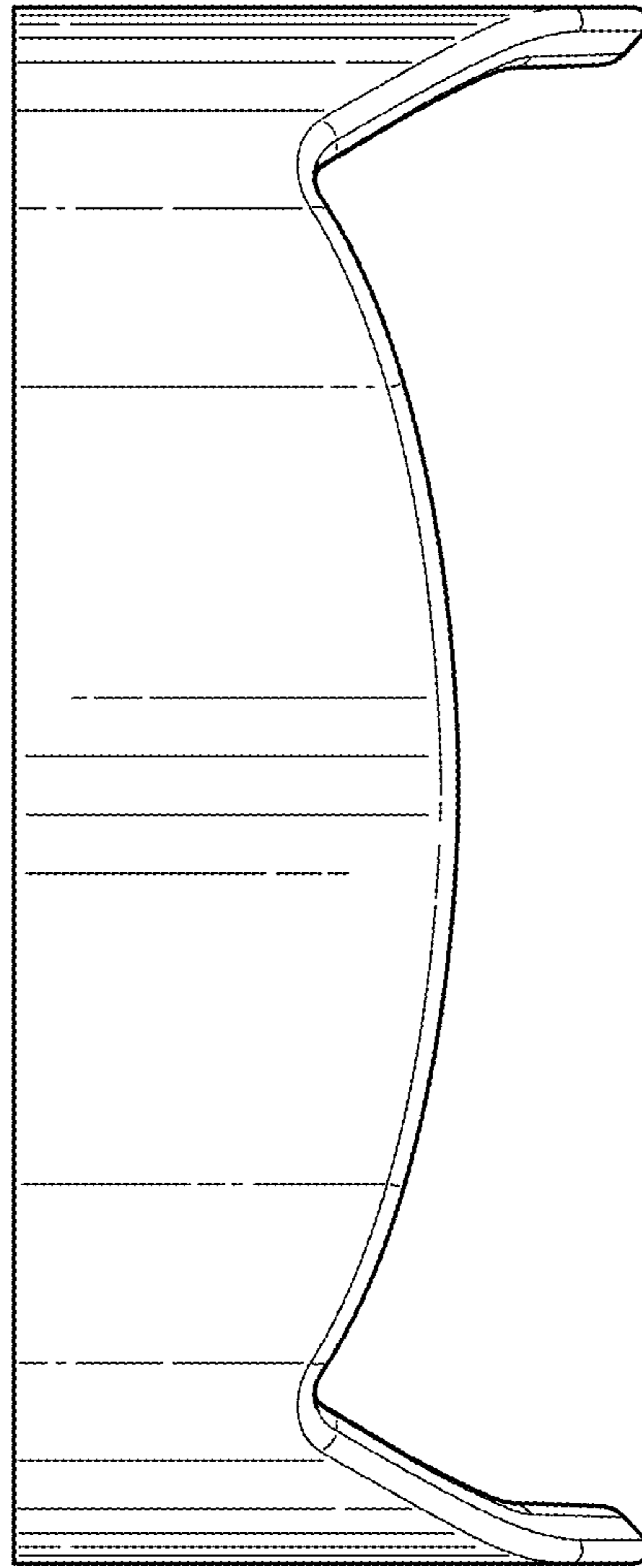


FIG. 5

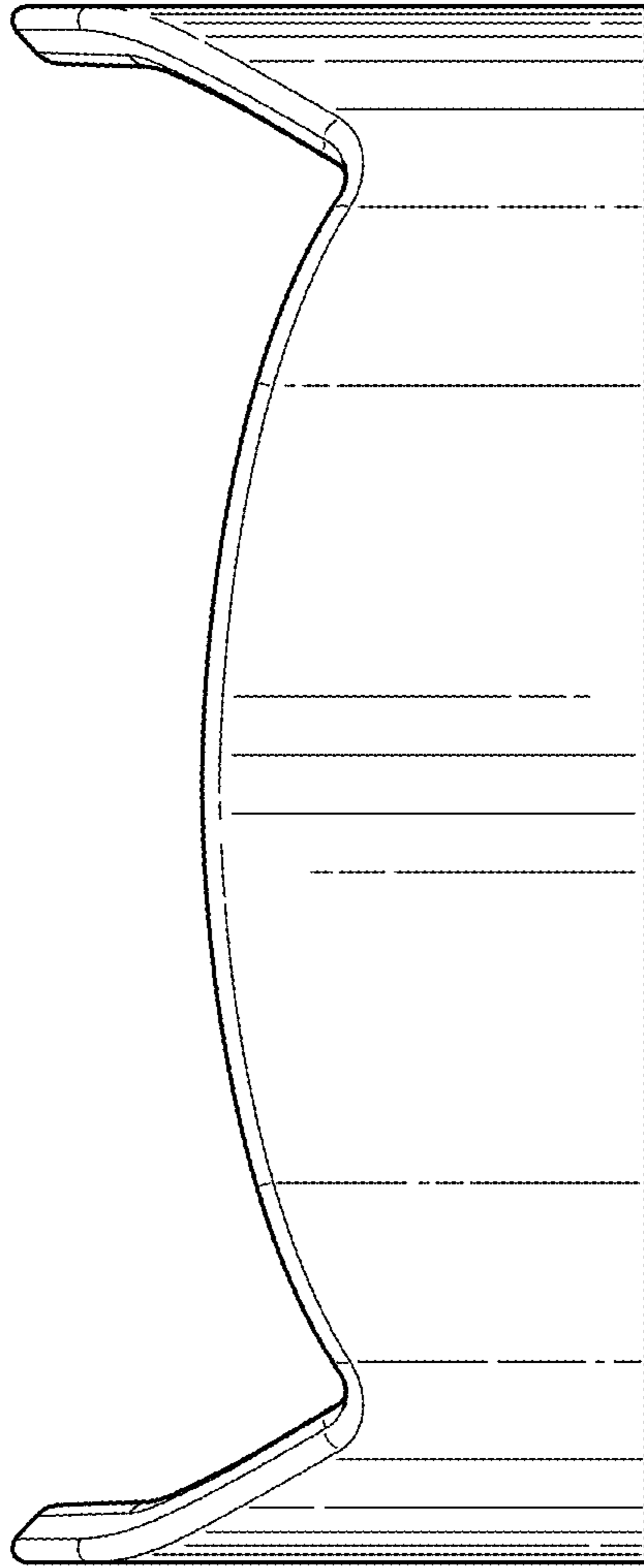


FIG. 6

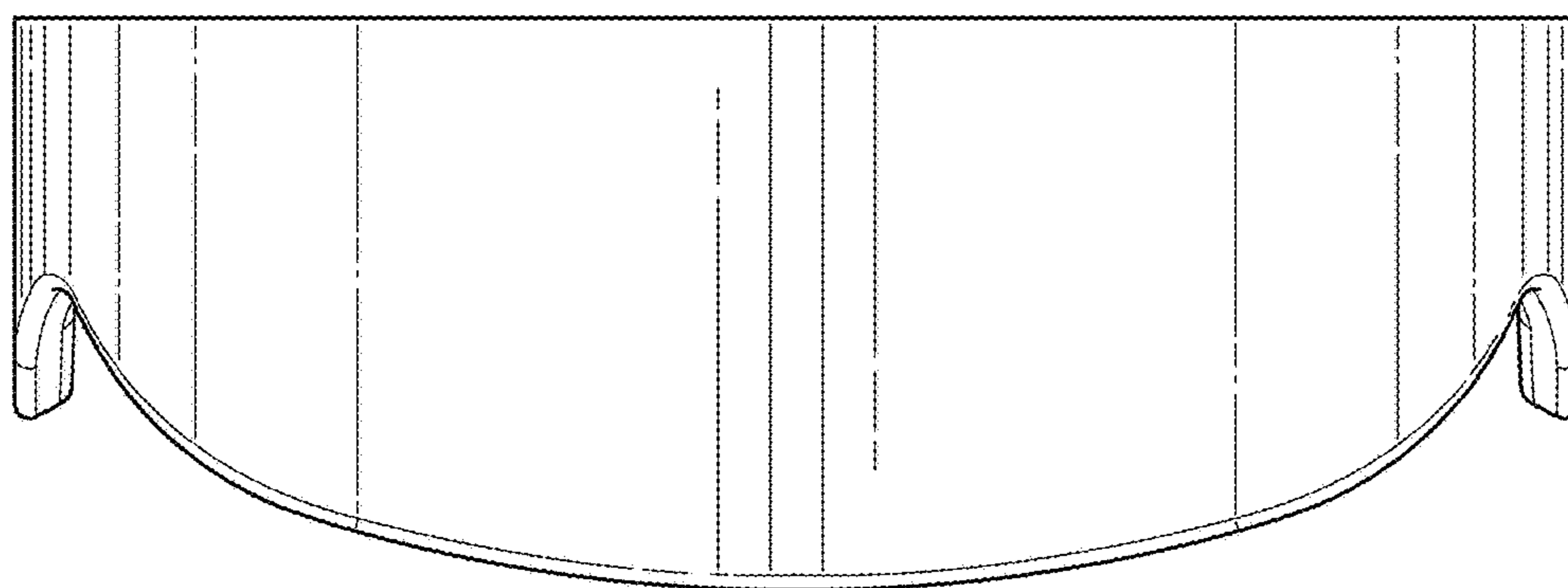


FIG. 7



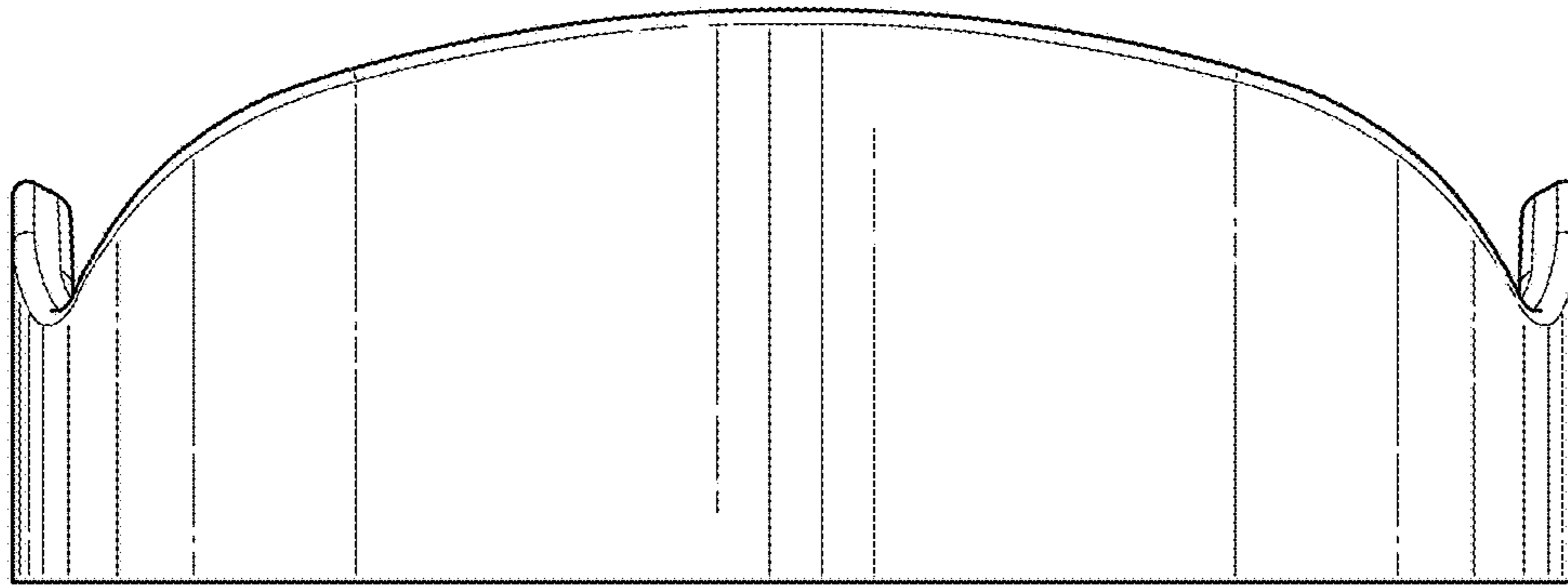


FIG. 8