



US00D821481S

(12) **United States Design Patent** (10) **Patent No.:** **US D821,481 S**  
**Gioscia et al.** (45) **Date of Patent:** **\*\* Jun. 26, 2018**

(54) **CAMERA HOUSING**

(71) Applicant: **GoPro, Inc.**, San Mateo, CA (US)

(72) Inventors: **Richard Gioscia**, Santa Clara, CA (US); **Seung Heon Lee**, Cupertino, CA (US); **Derek Yap**, San Carlos, CA (US); **Evan L. Coons**, San Mateo, CA (US); **Joshua P. Davies**, Fremont, CA (US)

(73) Assignee: **GoPro, Inc.**, San Mateo, CA (US)

(\*\*) Term: **15 Years**

(21) Appl. No.: **29/588,383**

(22) Filed: **Dec. 20, 2016**

**Related U.S. Application Data**

(63) Continuation of application No. 29/557,076, filed on Mar. 4, 2016, now Pat. No. Des. 778,336, which is a continuation of application No. 29/516,749, filed on Feb. 5, 2015, now Pat. No. Des. 751,133, which is a continuation of application No. 29/491,394, filed on May 20, 2014, now Pat. No. Des. 725,169, which is a continuation of application No. 29/461,140, filed on Jul. 18, 2013, now Pat. No. Des. 710,921.

(51) **LOC (11) Cl.** ..... **16-05**

(52) **U.S. Cl.**  
USPC ..... **D16/219**

(58) **Field of Classification Search**  
USPC ..... D16/200, 202–204, 208, 211, 218, 219, D16/237, 242; D3/263, 267, 268; 248/176.1, 187.1; 348/81, 360, 373–376, 348/835; 396/25, 27–29, 419, 535, 396/539–541

CPC ..... G03B 15/03; G03B 17/02; G03B 17/04; G03B 17/08; G03B 17/56; G03B 19/04; H04N 5/2251; H04N 5/2252; H04N 5/2253; H04N 5/2254; A45C 11/38

See application file for complete search history.

(56) **References Cited**

U.S. PATENT DOCUMENTS

D321,704 S	11/1991	Leonard et al.
D367,283 S	2/1996	Lyon et al.
D419,296 S	1/2000	Shina no
D425,092 S	5/2000	Eto et al.
D453,177 S	1/2002	Uehara
D540,669 S	4/2007	George et al.
D550,742 S	11/2007	Ishii
7,653,292 B2	1/2010	Yamaguchi et al.

(Continued)

*Primary Examiner* — Philip S Hyder

*Assistant Examiner* — Ramzi Almatrahi

(74) *Attorney, Agent, or Firm* — Young Basile Hanlon & MacFarlane, P.C.

(57) **CLAIM**

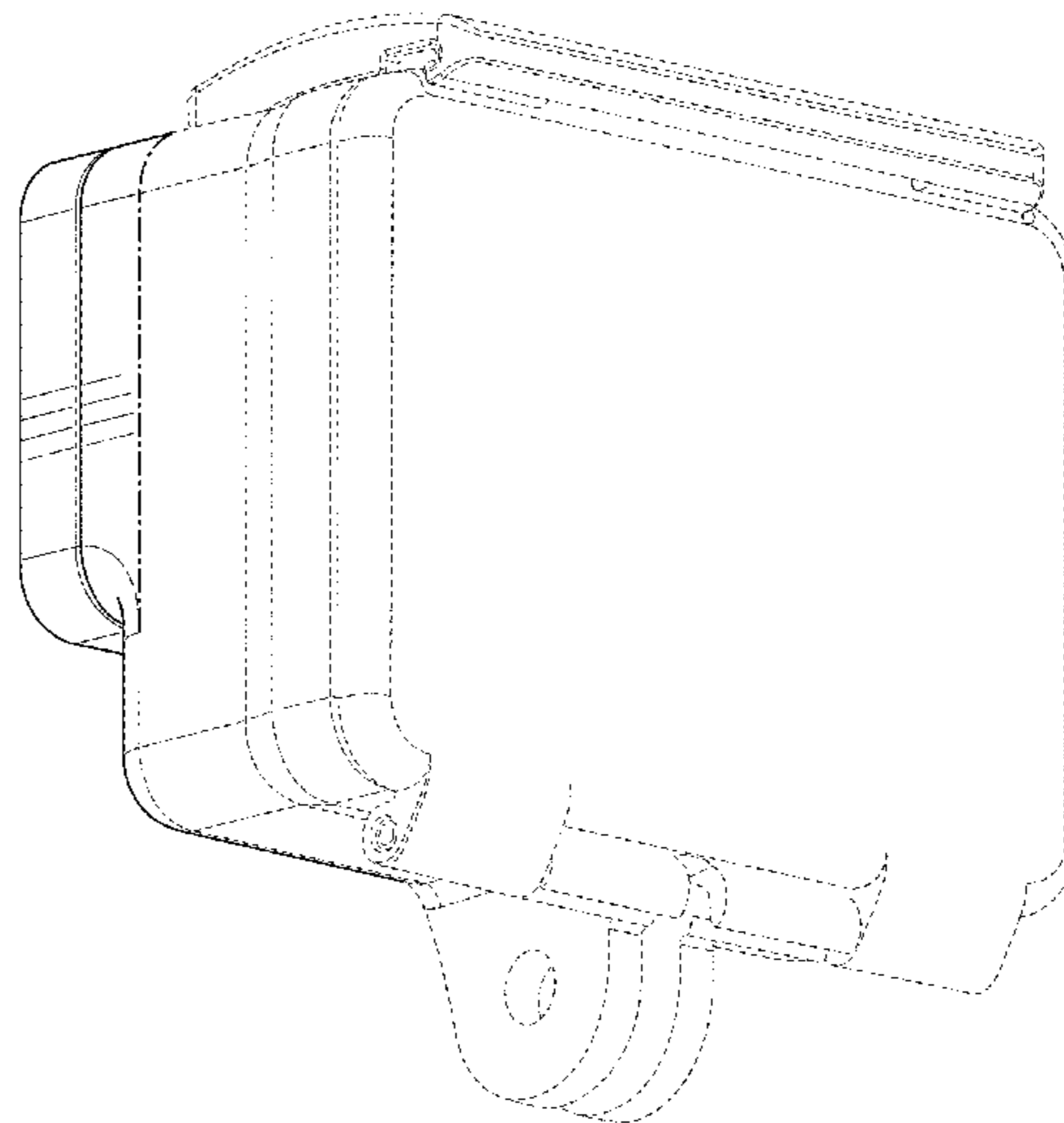
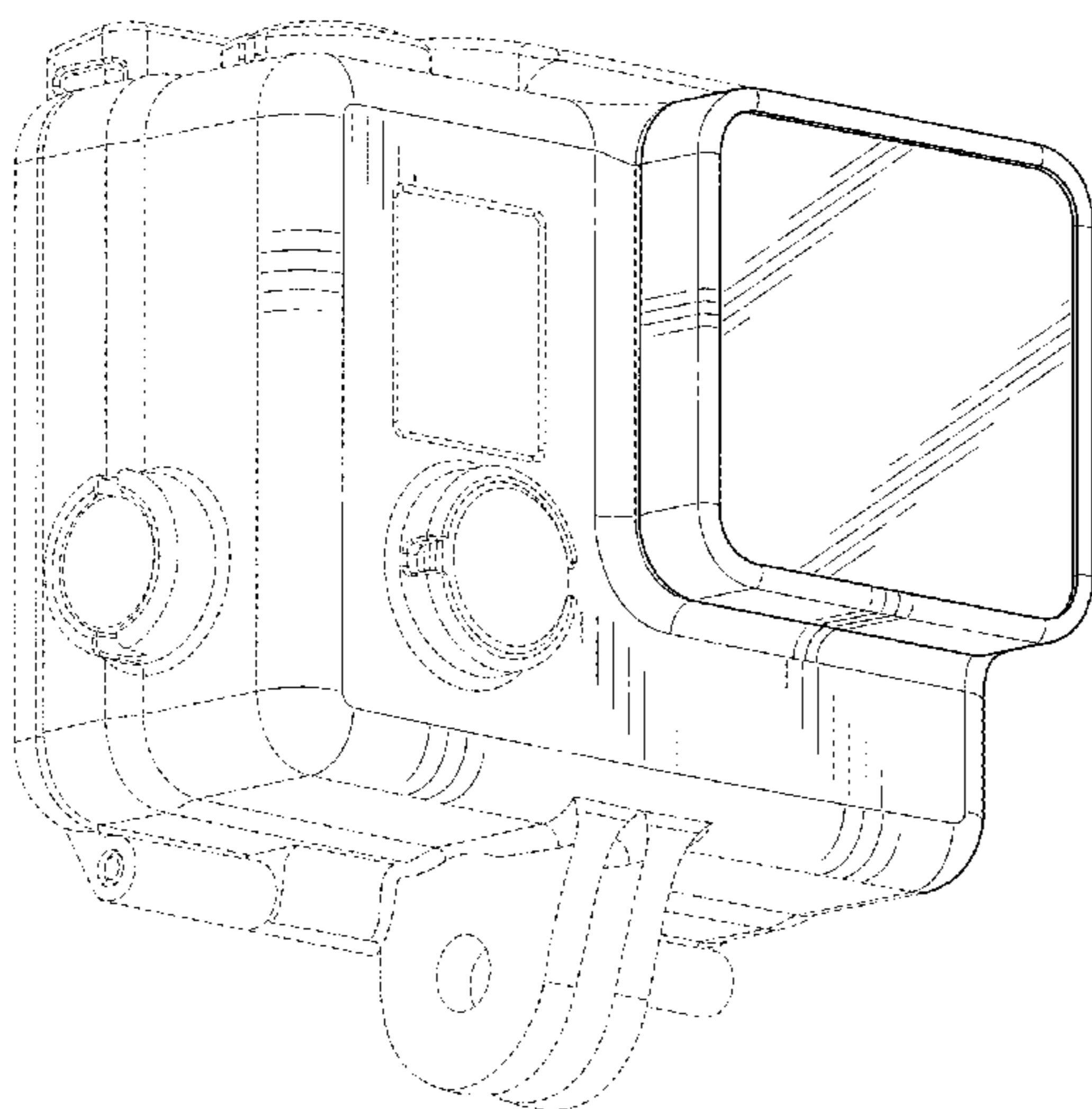
The ornamental design for a camera housing, as shown and described.

**DESCRIPTION**

FIG. 1 is a front, top and right side perspective view of a camera housing showing our new design; FIG. 2 is a front, bottom and left side perspective view thereof; FIG. 3 is a rear, bottom and right side perspective view thereof; FIG. 4 is a front elevational view thereof; FIG. 5 is a left side elevational view thereof; FIG. 6 is a right side elevational view thereof; FIG. 7 is a top plan view thereof; and, FIG. 8 is a bottom plan view thereof.

The broken lines in the drawings form no part of the claimed design. Broken lines formed by equal length dashes (dash-dash) show unclaimed subject matter. Broken lines formed by unequal length dashes (dash-dot) define bounds of the claimed design.

**1 Claim, 8 Drawing Sheets**



(56)

References Cited

U.S. PATENT DOCUMENTS

D616,479 S	5/2010	Gana hi, Jr.	8,870,475 B1	10/2014	Bennett et al.
D622,591 S	8/2010	Biesecker et al.	D700,778 S	11/2014	To et al.
D621,432 S	10/2010	Yim	D710,921 S	12/2014	Gioscia et al.
D646,313 S	4/2011	Woodman	D710,922 S	12/2014	Gioscia et al.
D635,436 S	5/2011	Barton	D719,811 S	12/2014	Cooper et al.
D635,437 S	5/2011	Barton	D721,395 S	1/2015	Woodman et al.
D635,438 S	5/2011	Barton	D724,638 S	3/2015	Samuels et al.
D635,439 S	5/2011	Barton	D725,169 S	3/2015	Gioscia et al.
D635,440 S	5/2011	Barton	9,004,783 B1	4/2015	Woodman et al.
8,014,656 B2	6/2011	Woodman	D732,593 S	6/2015	Woodman
D642,054 S	7/2011	Samartgis	D733,787 S	7/2015	Baker et al.
D645,725 S	9/2011	Katz et al.	D733,788 S	7/2015	Baker et al.
D647,554 S	10/2011	Yim	D734,799 S	7/2015	Woodman et al.
D657,808 S	4/2012	Woodman	D735,260 S	7/2015	Bould et al.
D657,811 S	4/2012	Woodman	D739,451 S	9/2015	Gioscia et al.
D674,428 S	1/2013	Woodman	D740,868 S	10/2015	Gioscia et al.
D674,429 S	1/2013	Woodman	D740,876 S	10/2015	Woodman et al.
8,544,643 B2	1/2013	Yim	D741,394 S	10/2015	Gioscia et al.
8,596,890 B2	3/2013	Yim et al.	D750,146 S	2/2016	Costa et al.
D684,569 S	6/2013	Willenborg	D750,680 S *	3/2016	Chen ..... D16/200
D699,947 S	2/2014	To et al.	D751,133 S	3/2016	Gioscia et al.
D702,747 S	4/2014	Woodman et al.	D754,240 S	4/2016	Samuels et al.
D702,754 S	4/2014	Bould et al.	D778,335 S *	2/2017	Gioscia ..... D16/200
D702,276 S	8/2014	Woodman	2003/0133206 A1	7/2003	Belefant
D702,277 S	8/2014	Woodman	2007/0071423 A1	3/2007	Fantone et al.
			2009/0317069 A1	12/2009	Yim
			2016/0252801 A1 *	9/2016	Harrison ..... G03B 17/561 396/27

\* cited by examiner

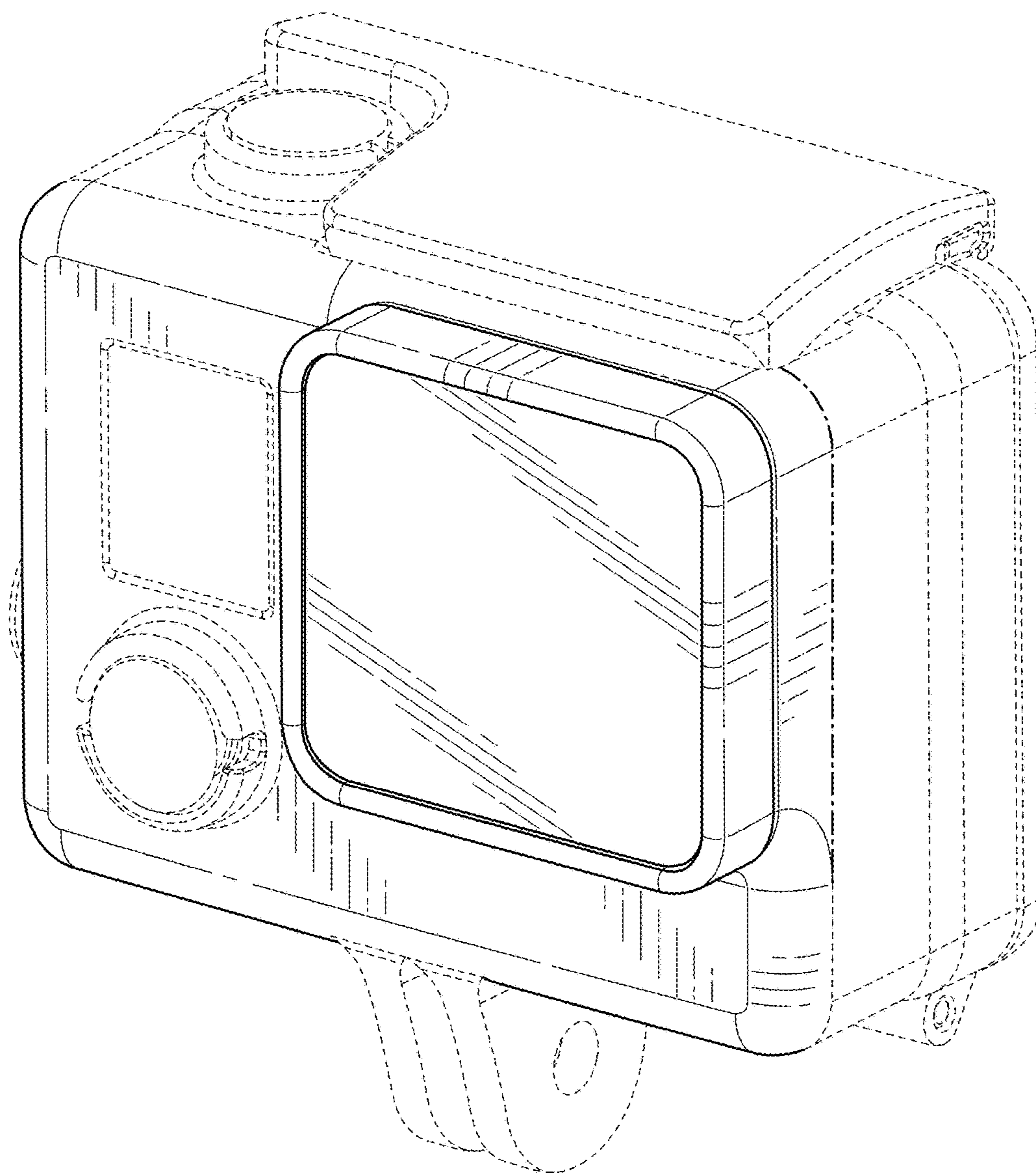


FIG. 1



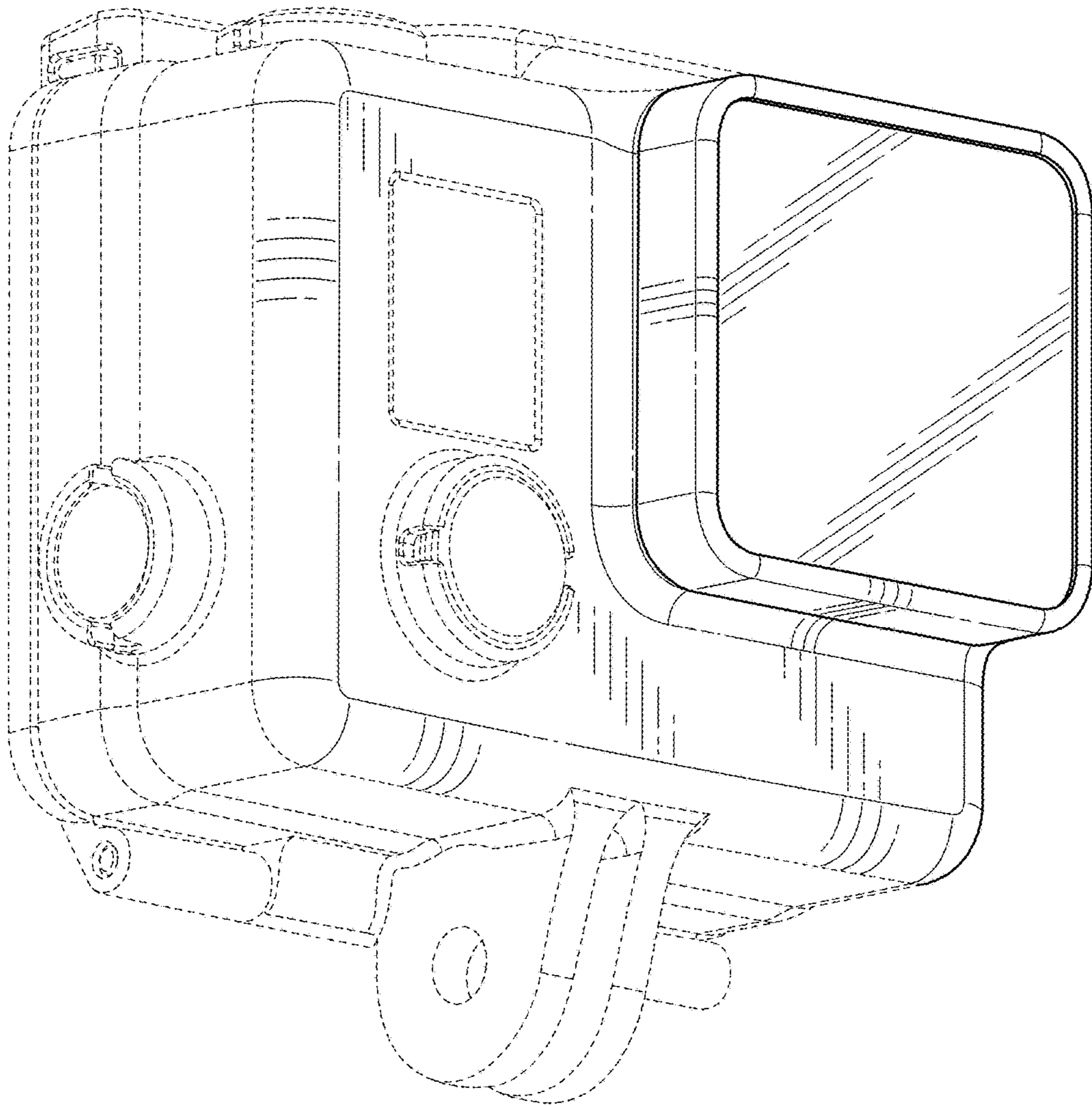


FIG. 2

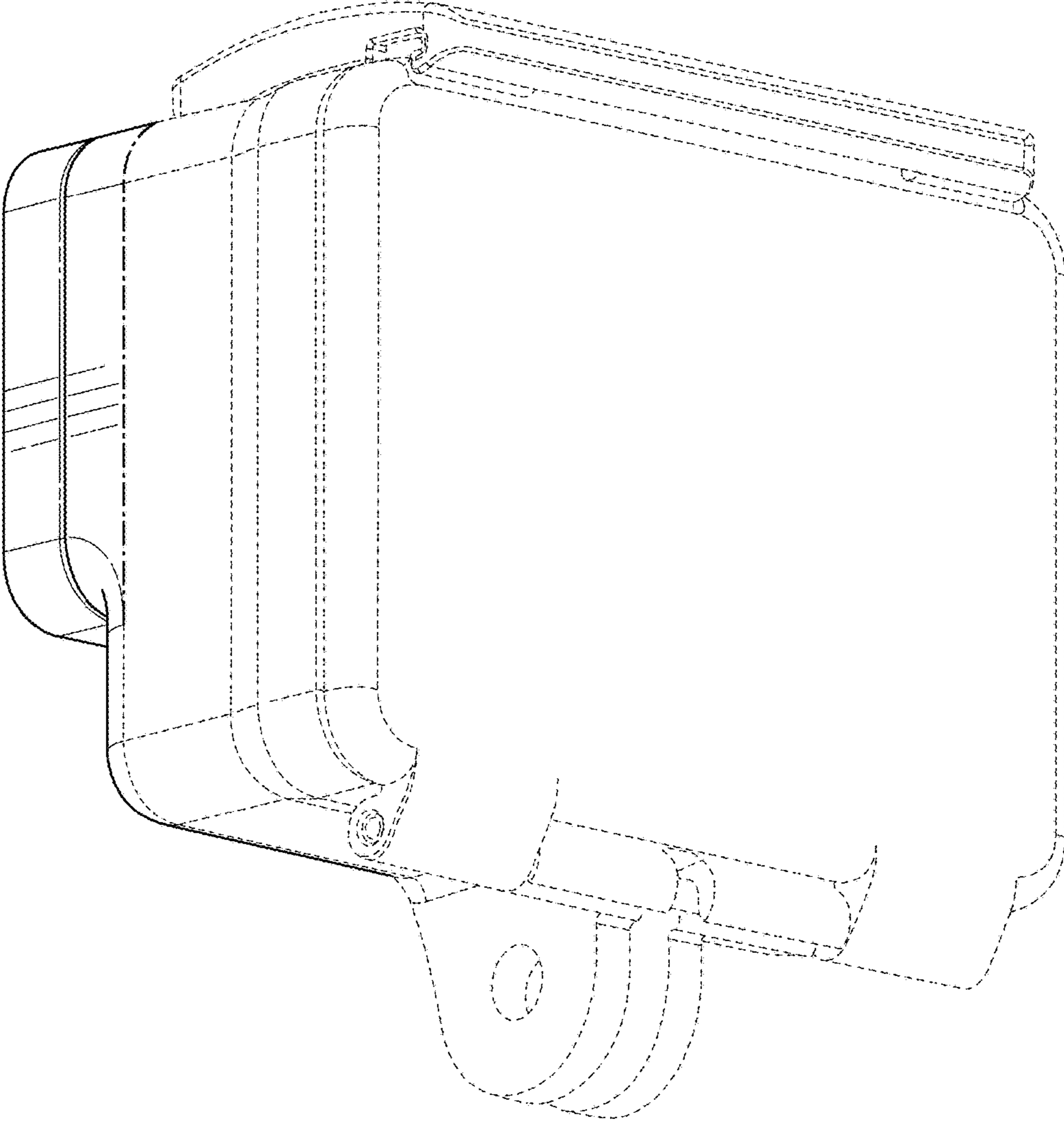


FIG. 3

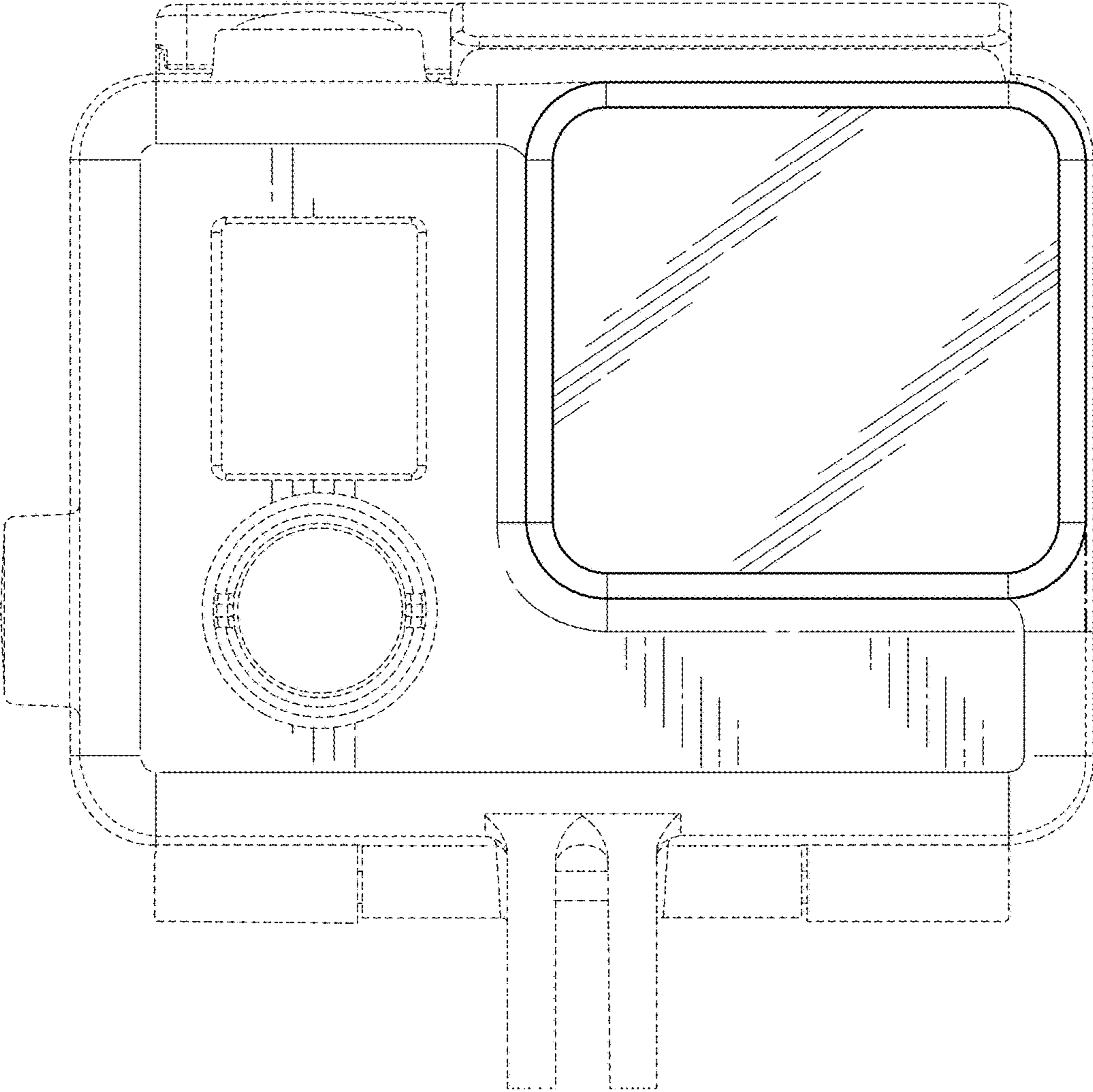


FIG. 4

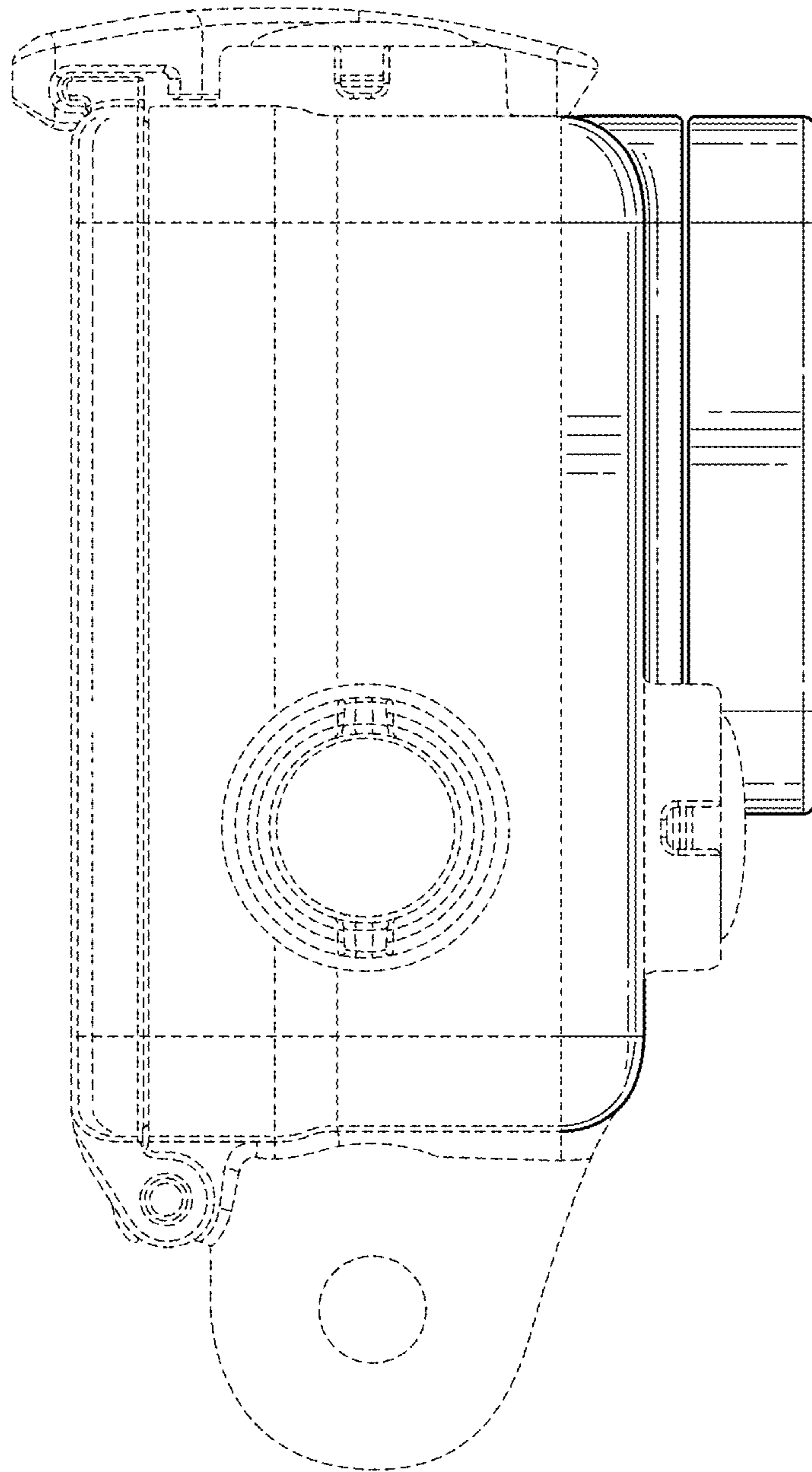


FIG. 5

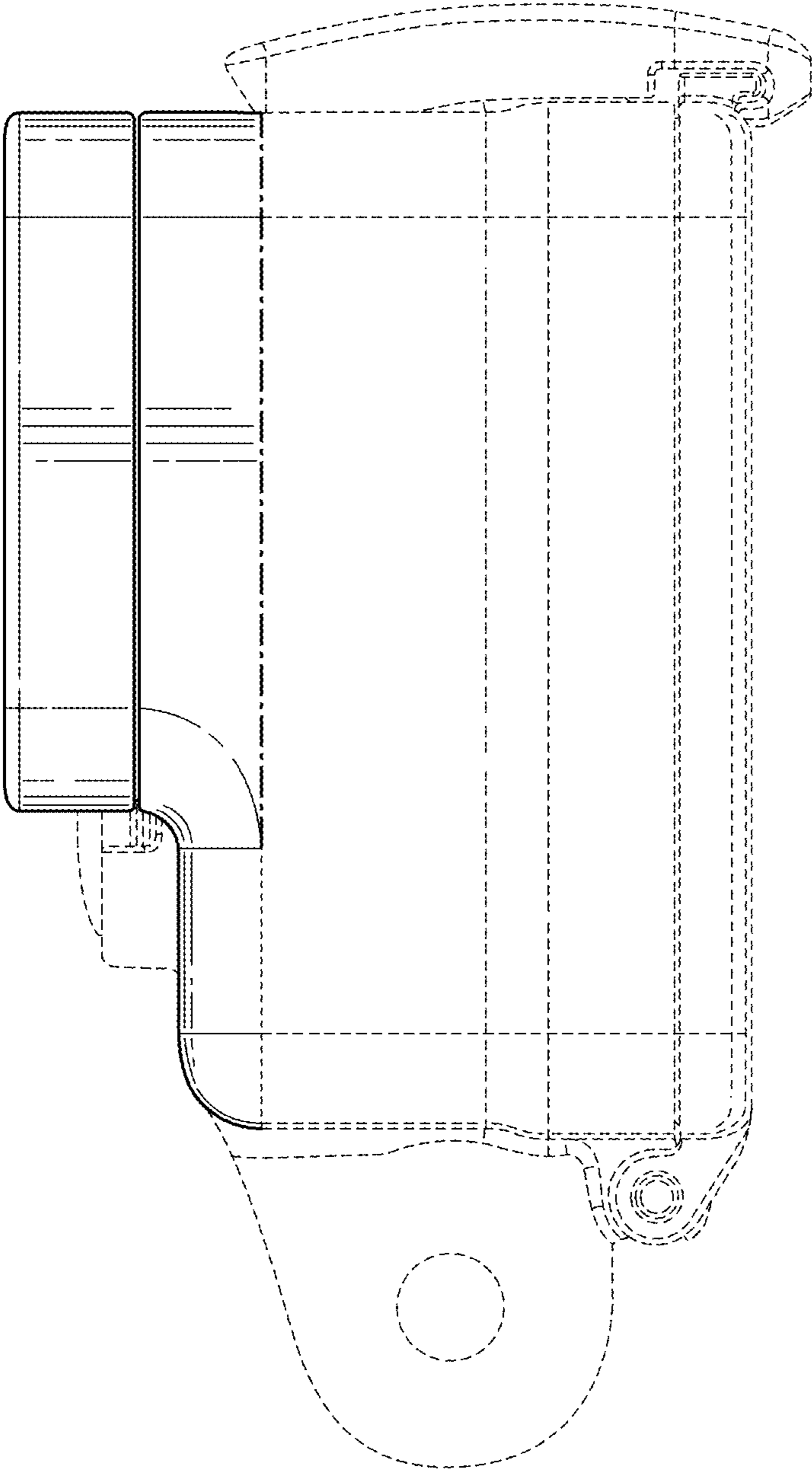


FIG. 6



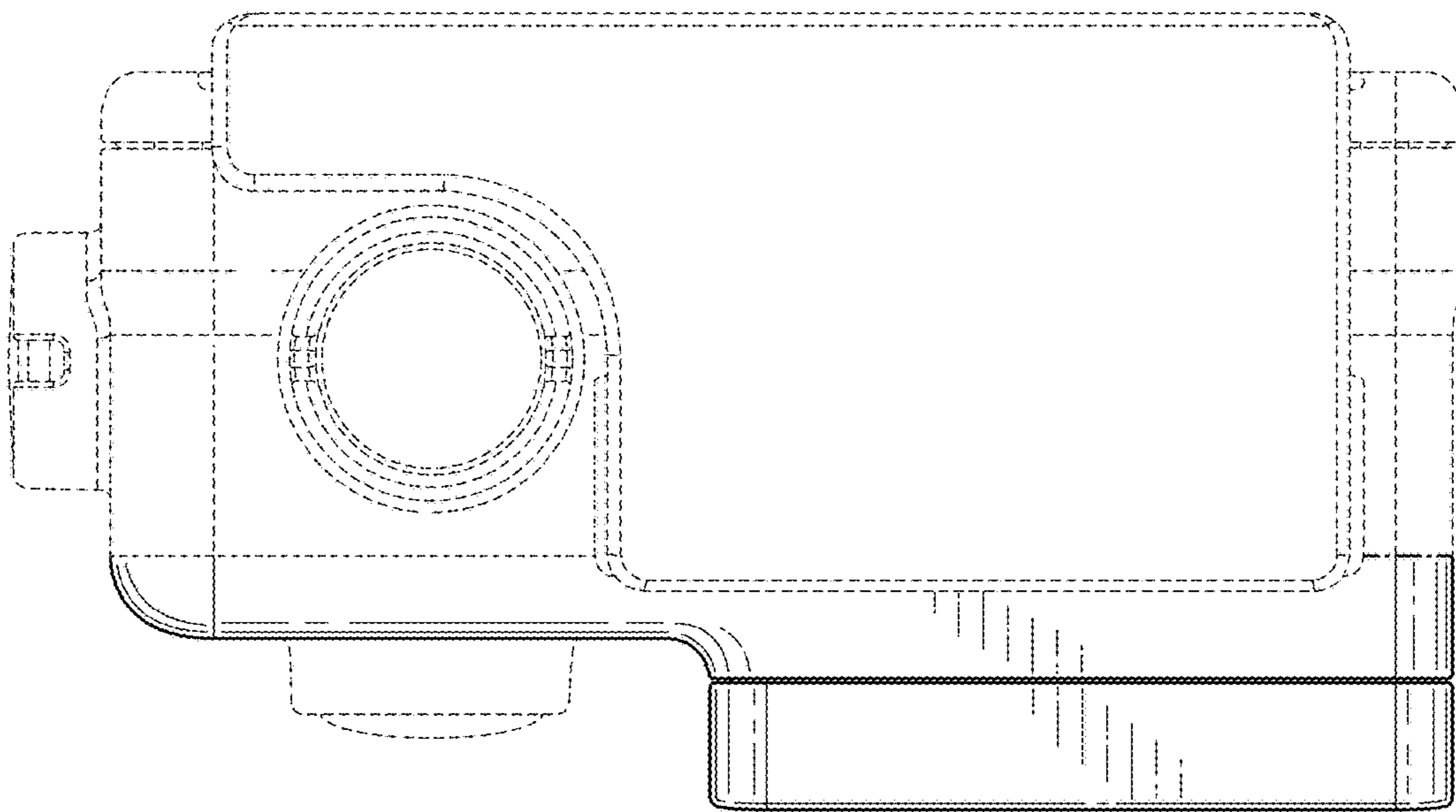


FIG. 7

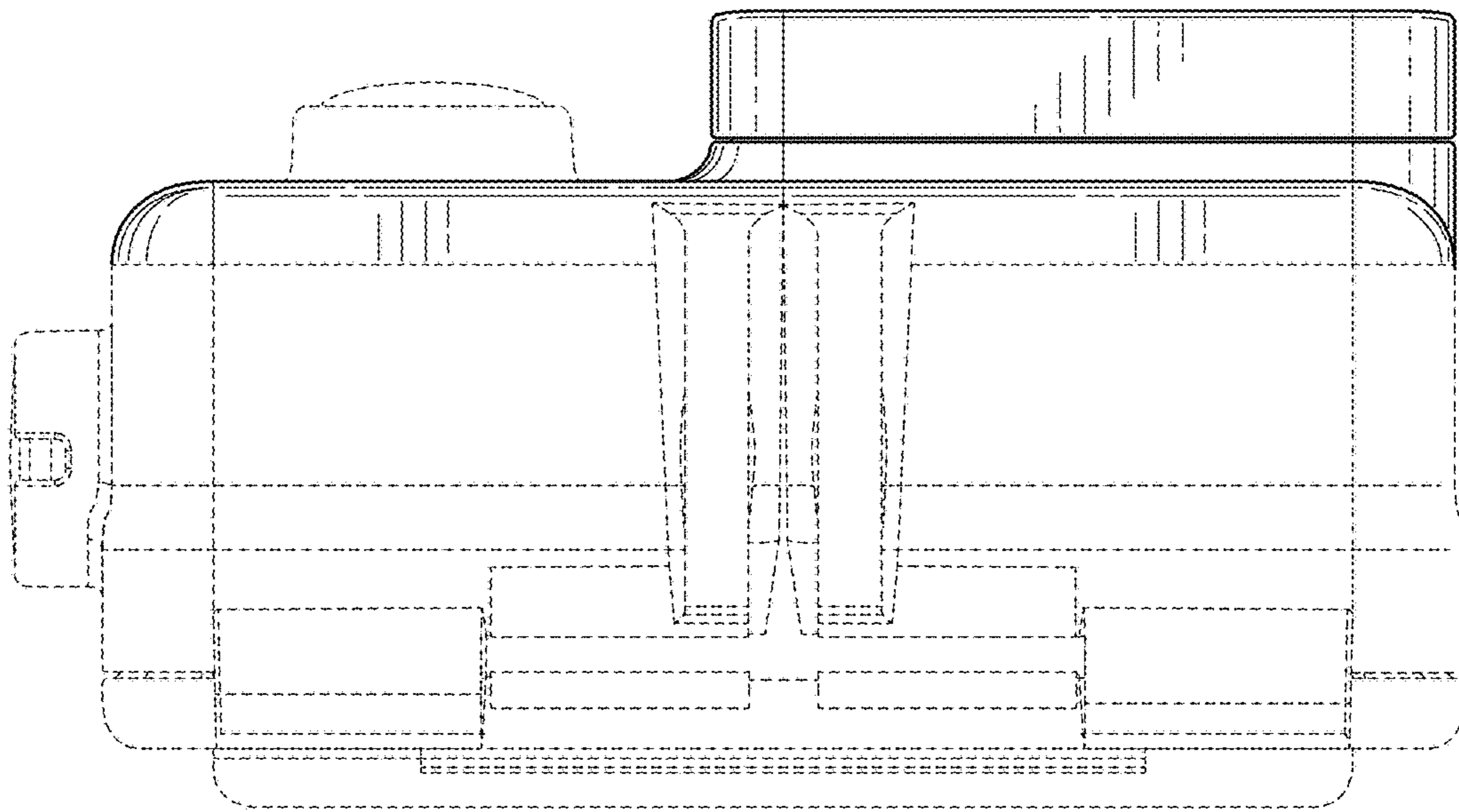


FIG. 8