



US00D821480S

(12) **United States Design Patent**
Gioscia et al.

(10) **Patent No.:** **US D821,480 S**
(45) **Date of Patent:** **** Jun. 26, 2018**

(54) **CAMERA HOUSING**

(71) Applicant: **GoPro, Inc.**, San Mateo, CA (US)

(72) Inventors: **Richard Gioscia**, Santa Clara, CA (US); **Seunghoon Lee**, Cupertino, CA (US); **Derek Yap**, San Carlos, CA (US); **Evan L. Coons**, San Mateo, CA (US); **Joshua P. Davies**, Fremont, CA (US)

(73) Assignee: **GoPro, Inc.**, San Mateo, CA (US)

(**) Term: **15 Years**

(21) Appl. No.: **29/538,974**

(22) Filed: **Sep. 10, 2015**

Related U.S. Application Data

(63) Continuation of application No. 29/495,034, filed on Jun. 26, 2014, now Pat. No. Des. 739,451, which is a continuation of application No. 29/461,141, filed on Jul. 18, 2013, now Pat. No. Des. 710,922.

(51) **LOC (11) Cl.** **16-01**

(52) **U.S. Cl.**
USPC **D16/219**; D16/200

(58) **Field of Classification Search**
USPC D16/200, 202–206, 208, 209, 218, 219; 348/294, 373–376; 359/826; 396/6, 301, 396/529, 535, 539–541
CPC G03B 15/03; G03B 17/02; G03B 17/04; G03B 17/08; G03B 17/56; G03B 19/04; H04N 5/2251; H04N 5/2252; H04N 5/2253; H04N 5/2254; H04N 2101/00
See application file for complete search history.

(56) **References Cited**

U.S. PATENT DOCUMENTS

D321,704 S 11/1991 Leonard et al.
D367,283 S 2/1996 Lyon et al.

D377,940 S * 2/1997 Totsch D16/202
D419,296 S 1/2000 Shinano
D441,386 S * 5/2001 Yamazaki D16/203
D453,177 S 1/2002 Uehara
D460,474 S * 7/2002 Gotham D16/219
D504,904 S * 5/2005 Nagai D16/203
D550,742 S 9/2007 Ishii
D616,479 S 5/2010 Ganahl
D621,432 S 8/2010 Yim
8,014,656 B2 9/2011 Woodman
D646,313 S 10/2011 Woodman

(Continued)

Primary Examiner — Philip S Hyder

Assistant Examiner — Ramzi S Almatrahi

(74) *Attorney, Agent, or Firm* — Young Basile Hanlon & MacFarlane, P.C.

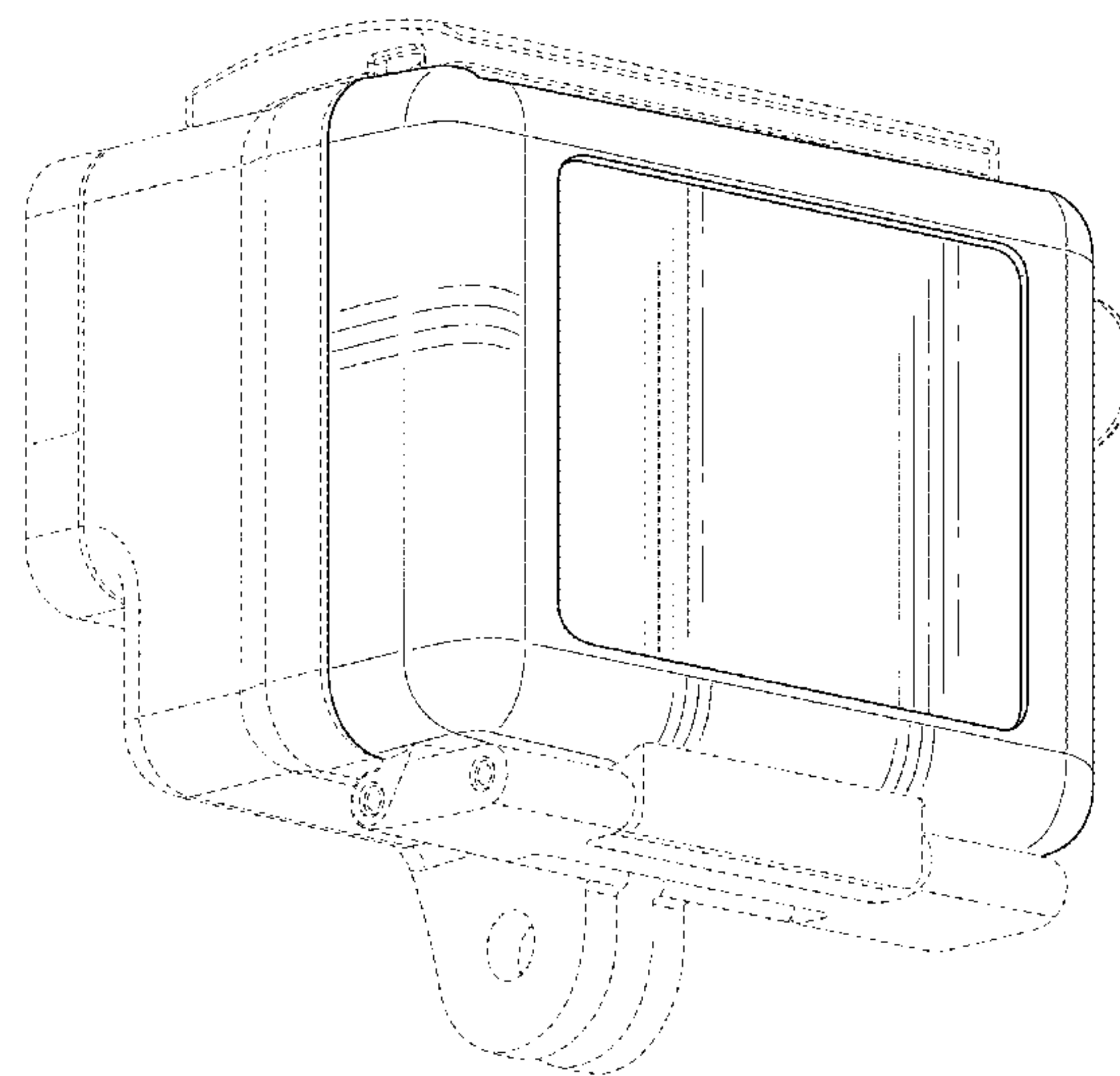
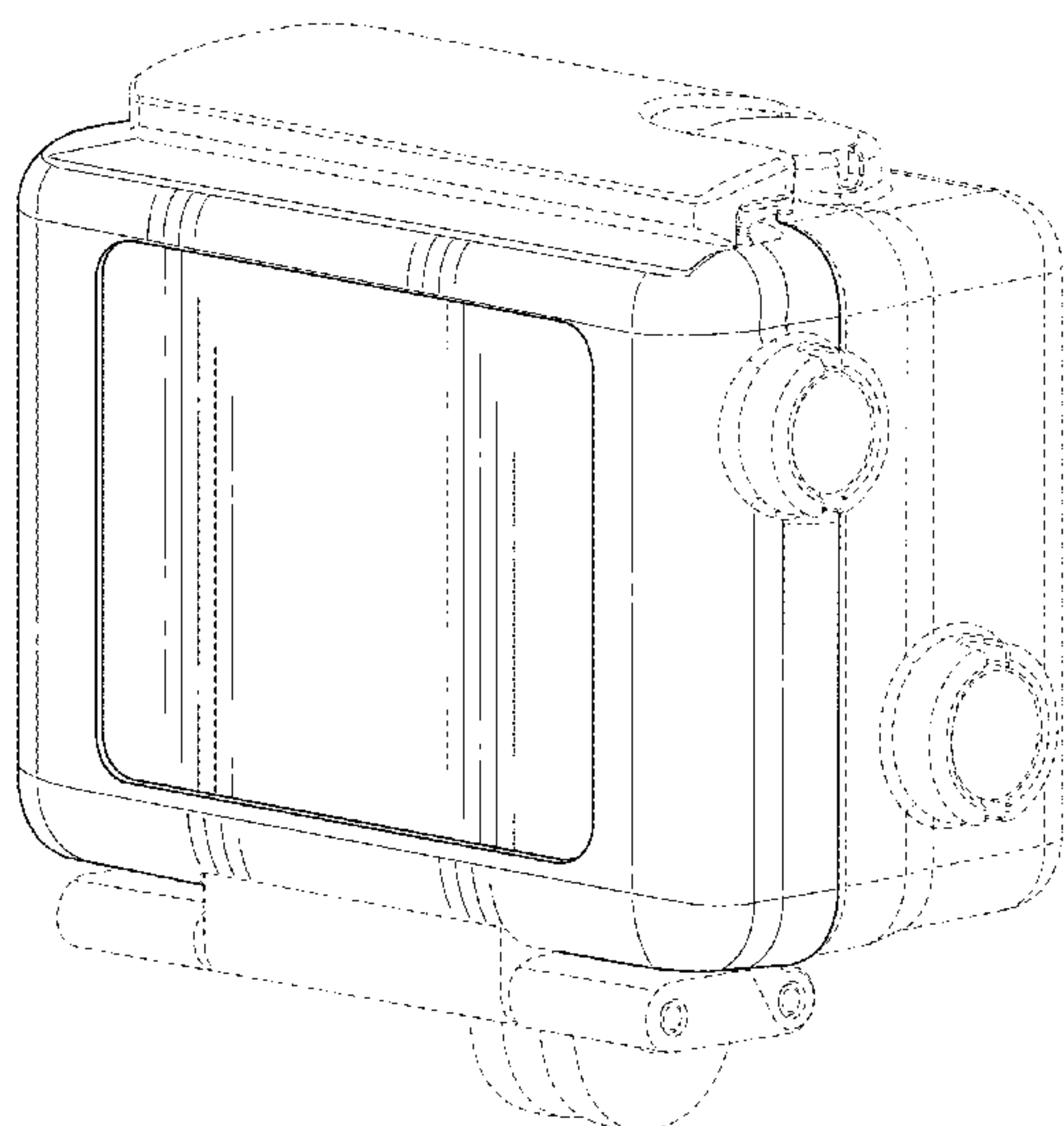
(57) **CLAIM**

The ornamental design for a camera housing, as shown and described.

DESCRIPTION

FIG. 1 is a front, top and right side perspective view of a camera housing showing our new design;
FIG. 2 is a front, bottom and left side perspective view thereof;
FIG. 3 is a rear, top and left side perspective view thereof;
FIG. 4 is a rear, bottom and right side perspective view thereof;
FIG. 5 is a front elevational view thereof;
FIG. 6 is a rear elevational view thereof;
FIG. 7 is a left side elevational view thereof;
FIG. 8 is a right side elevational view thereof;
FIG. 9 is a top plan view thereof; and,
FIG. 10 is a bottom plan view thereof.
The broken lines depict portions of the camera housing in which the design is embodied that form no part of the claimed design.

1 Claim, 10 Drawing Sheets



(56)

References Cited

U.S. PATENT DOCUMENTS

D647,554	S	10/2011	Yim	
D657,808	S	4/2012	Woodman	
D657,811	S	4/2012	Woodman	
D674,428	S	1/2013	Woodman	
D674,429	S	1/2013	Woodman	
8,544,643	B2	10/2013	Yim	
8,596,890	B2	12/2013	Yim et al.	
D699,947	S	2/2014	To et al.	
D700,778	S	3/2014	To et al.	
D702,276	S	4/2014	Woodman	
D702,277	S	4/2014	Woodman	
D702,747	S	4/2014	Woodman et al.	
D710,921	S *	8/2014	Gioscia	D16/200
8,870,475	B1 *	10/2014	Bennett	G03B 17/561 396/419
D724,638	S	3/2015	Samuels et al.	
D725,169	S	3/2015	Gioscia et al.	
D734,799	S *	7/2015	Woodman	D16/200
D740,868	S *	10/2015	Gioscia	D16/200
D750,146	S *	2/2016	Costa	D16/200
D750,680	S *	3/2016	Chen	D16/200
D768,752	S *	10/2016	Silver	D16/237
D778,335	S *	2/2017	Gioscia	D16/200

* cited by examiner

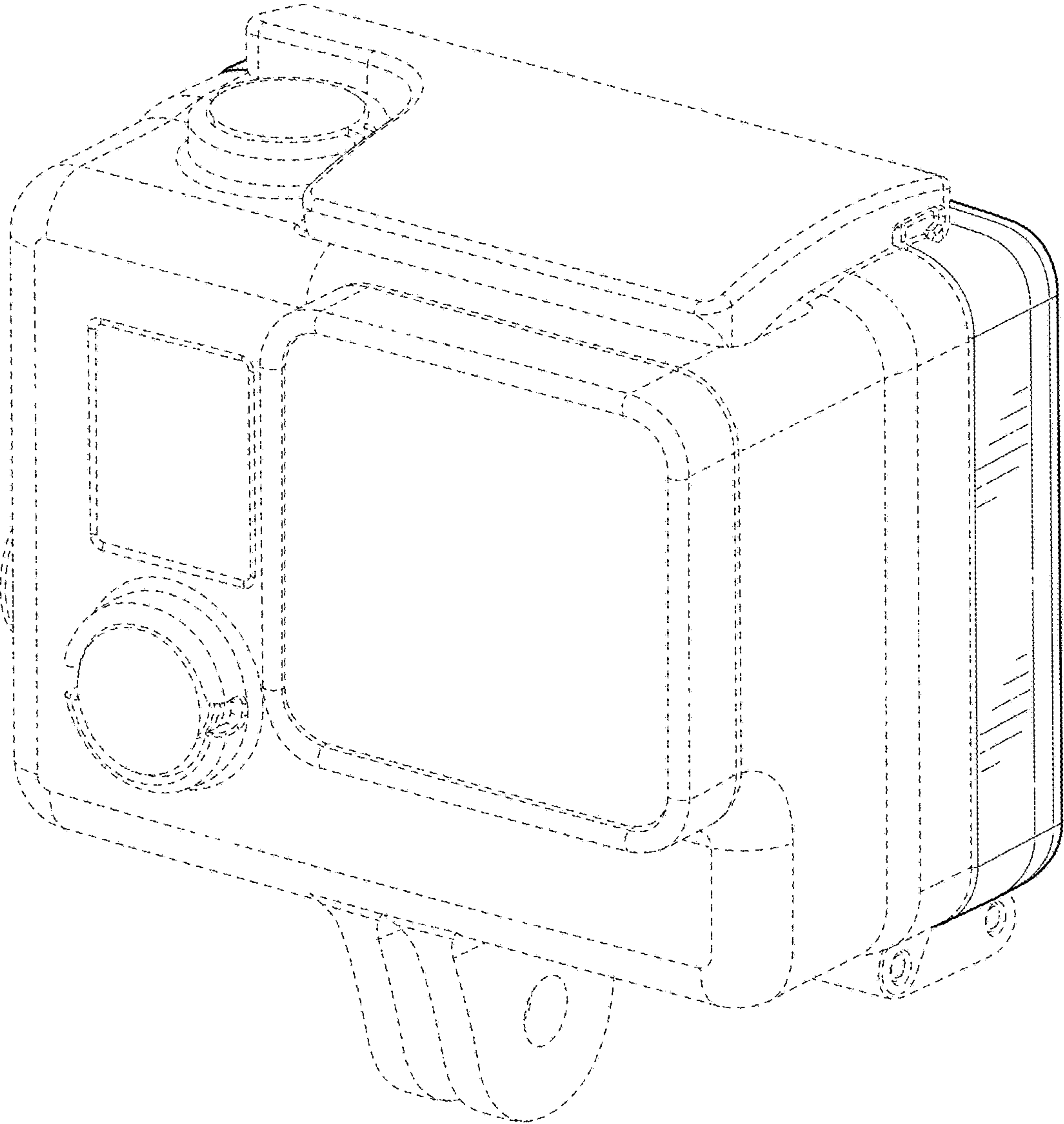


FIG. 1

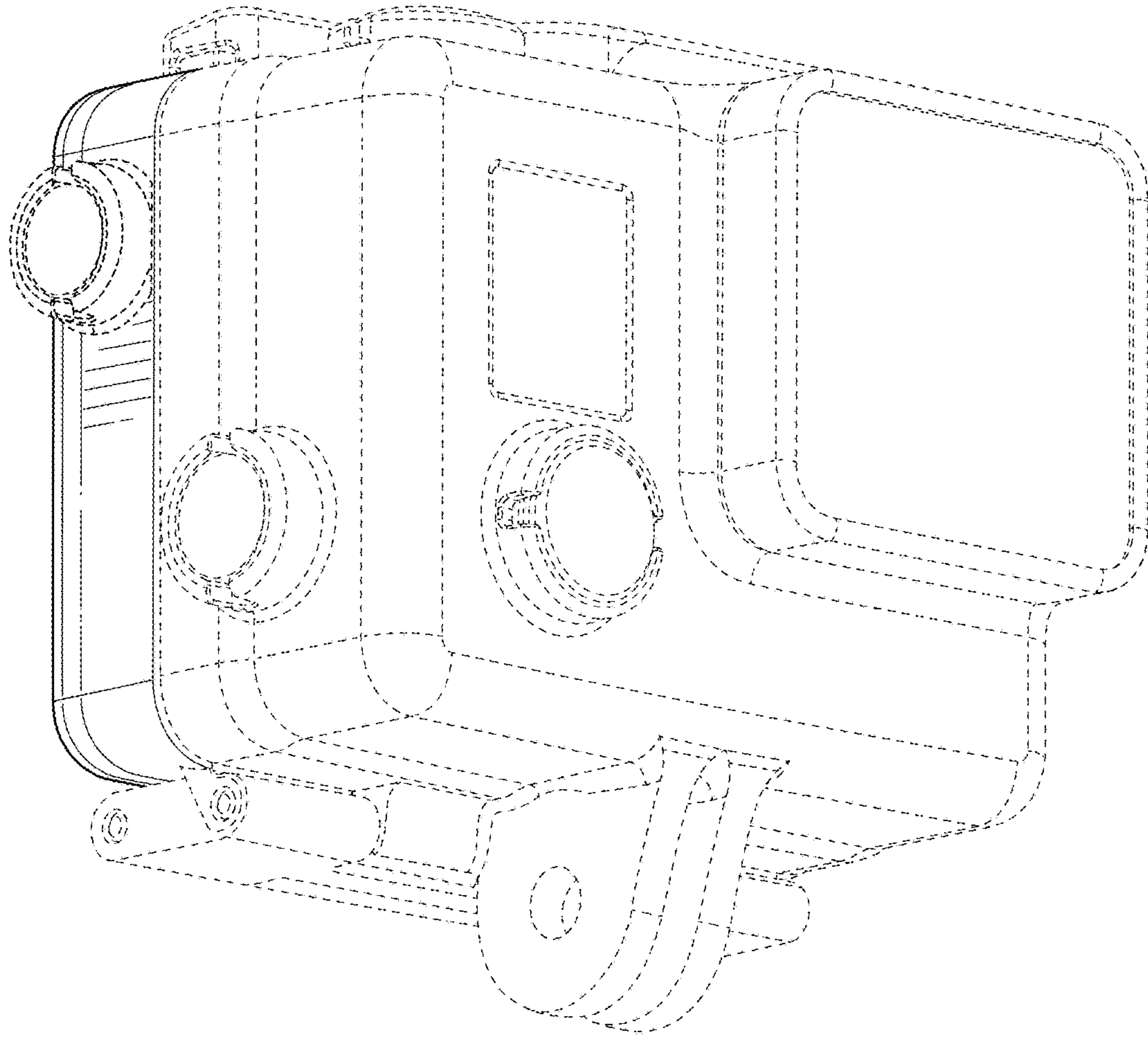


FIG. 2

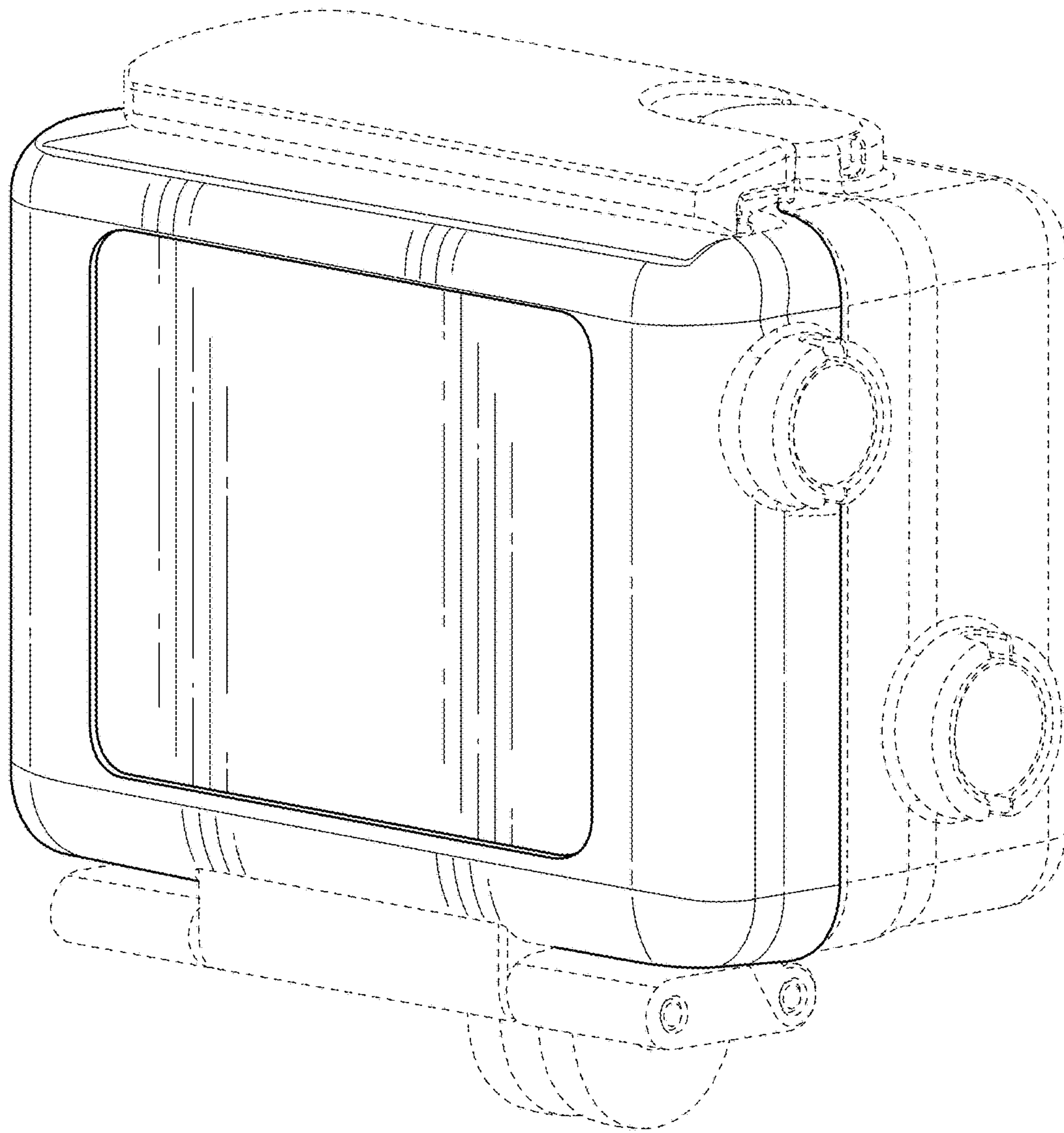


FIG. 3

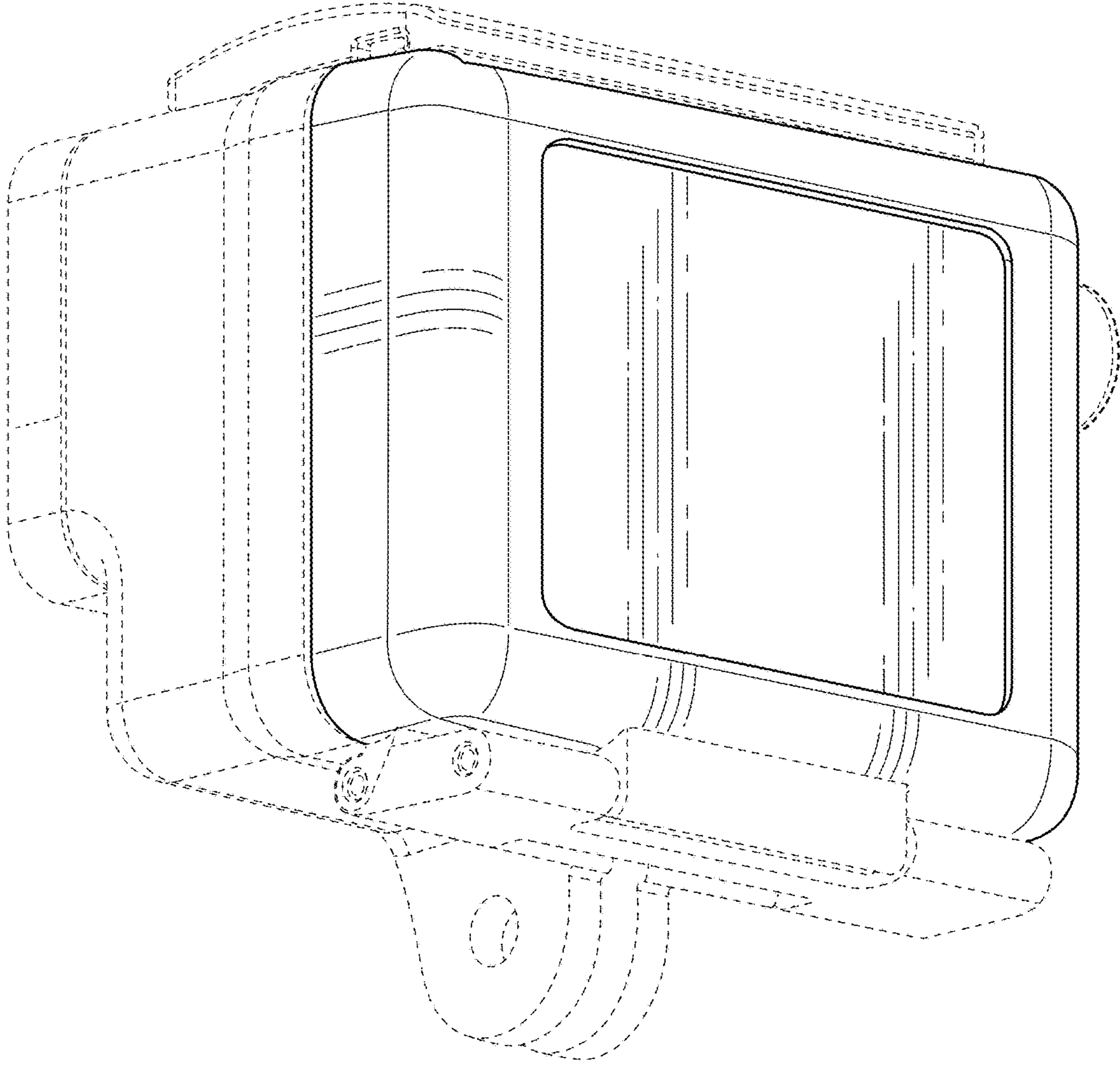


FIG. 4

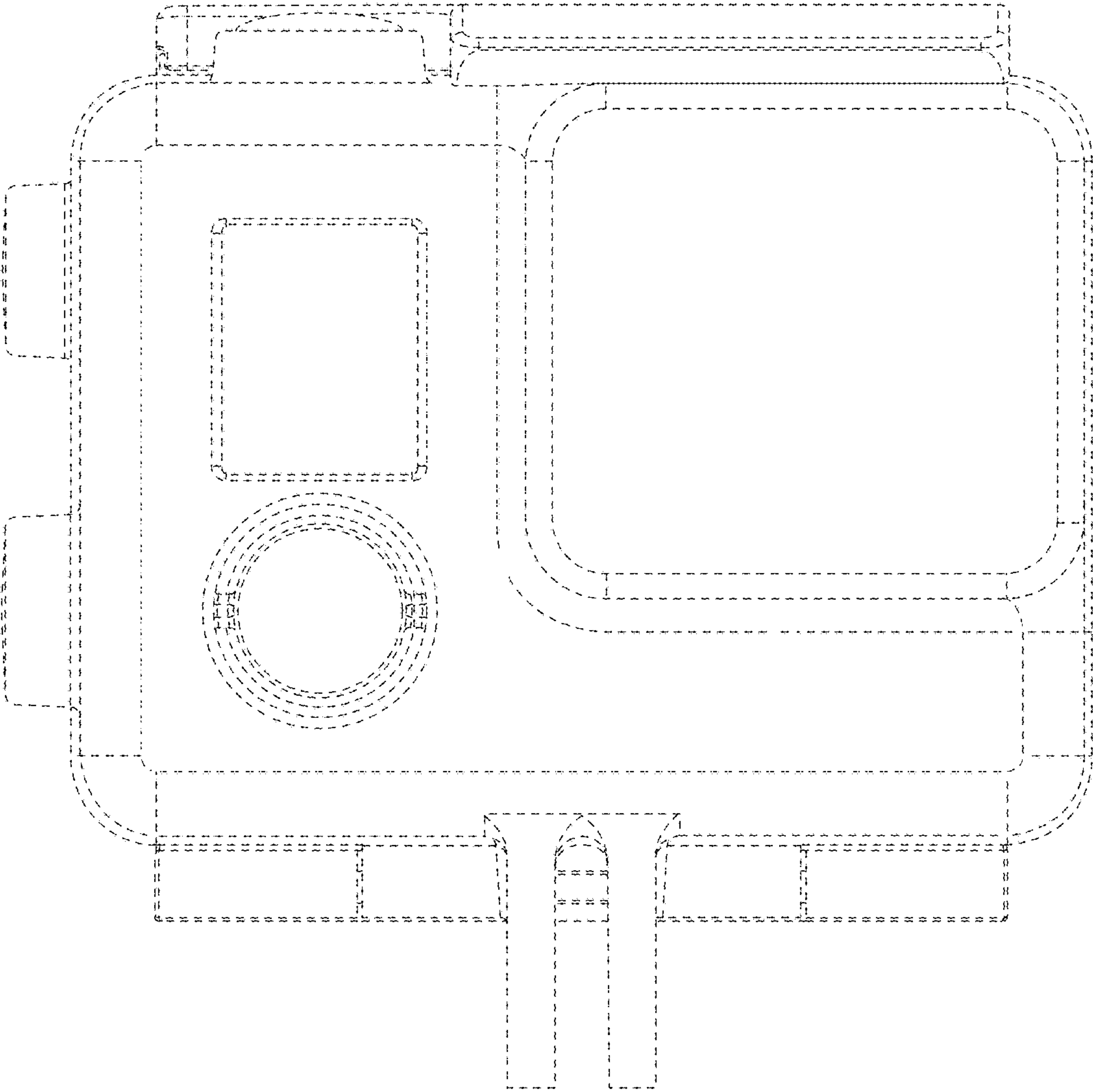


FIG. 5

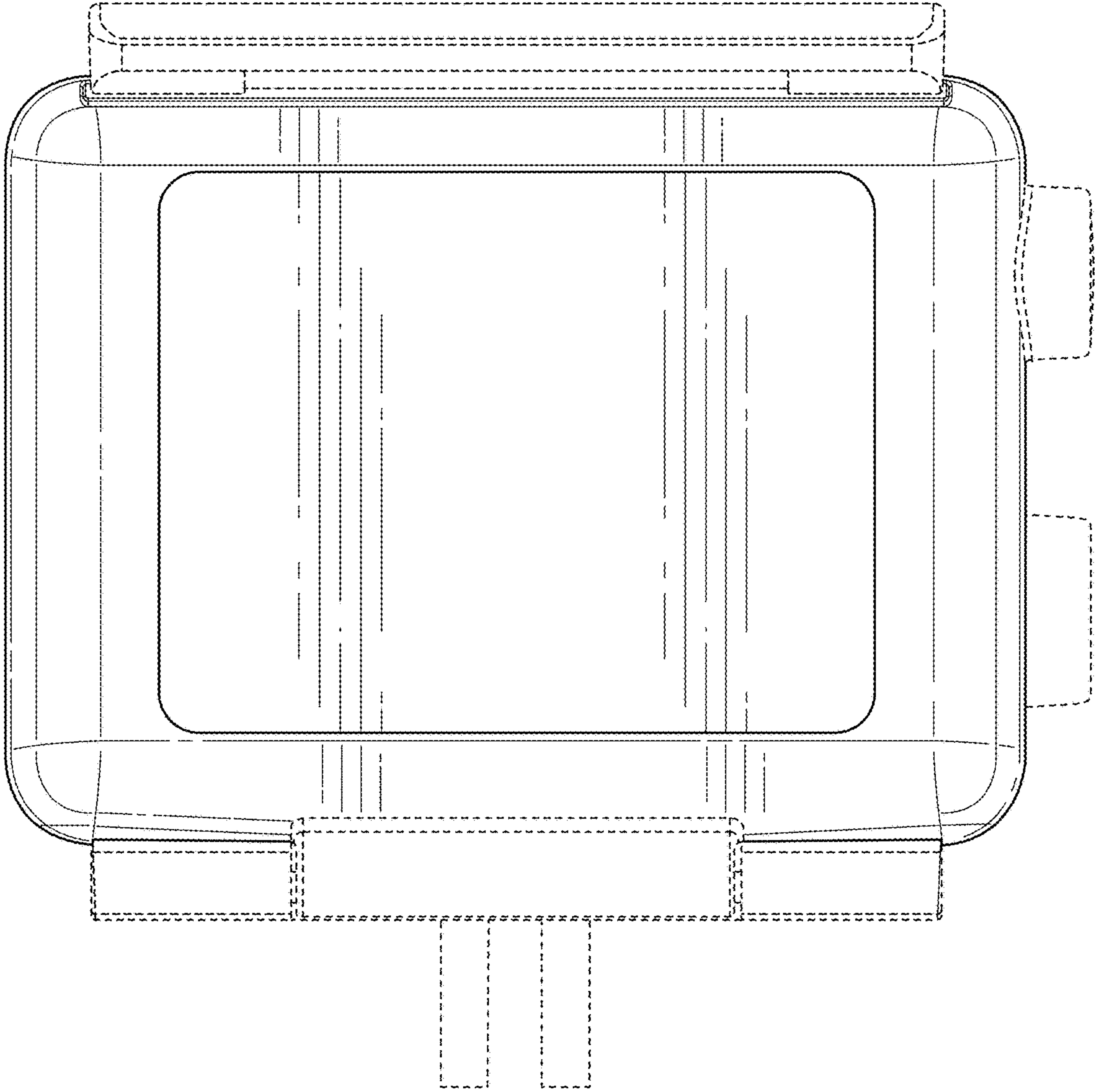


FIG. 6

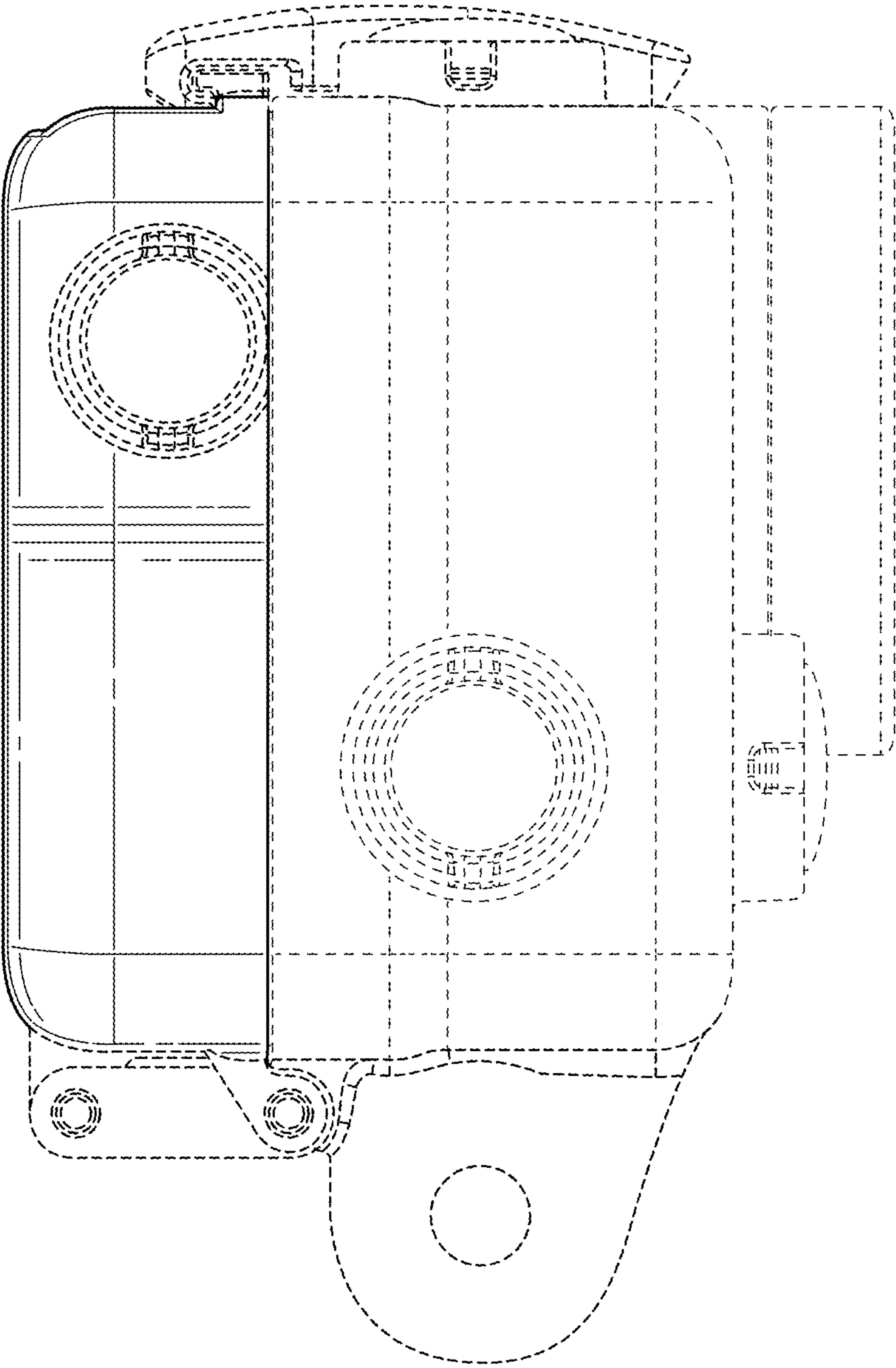


FIG. 7

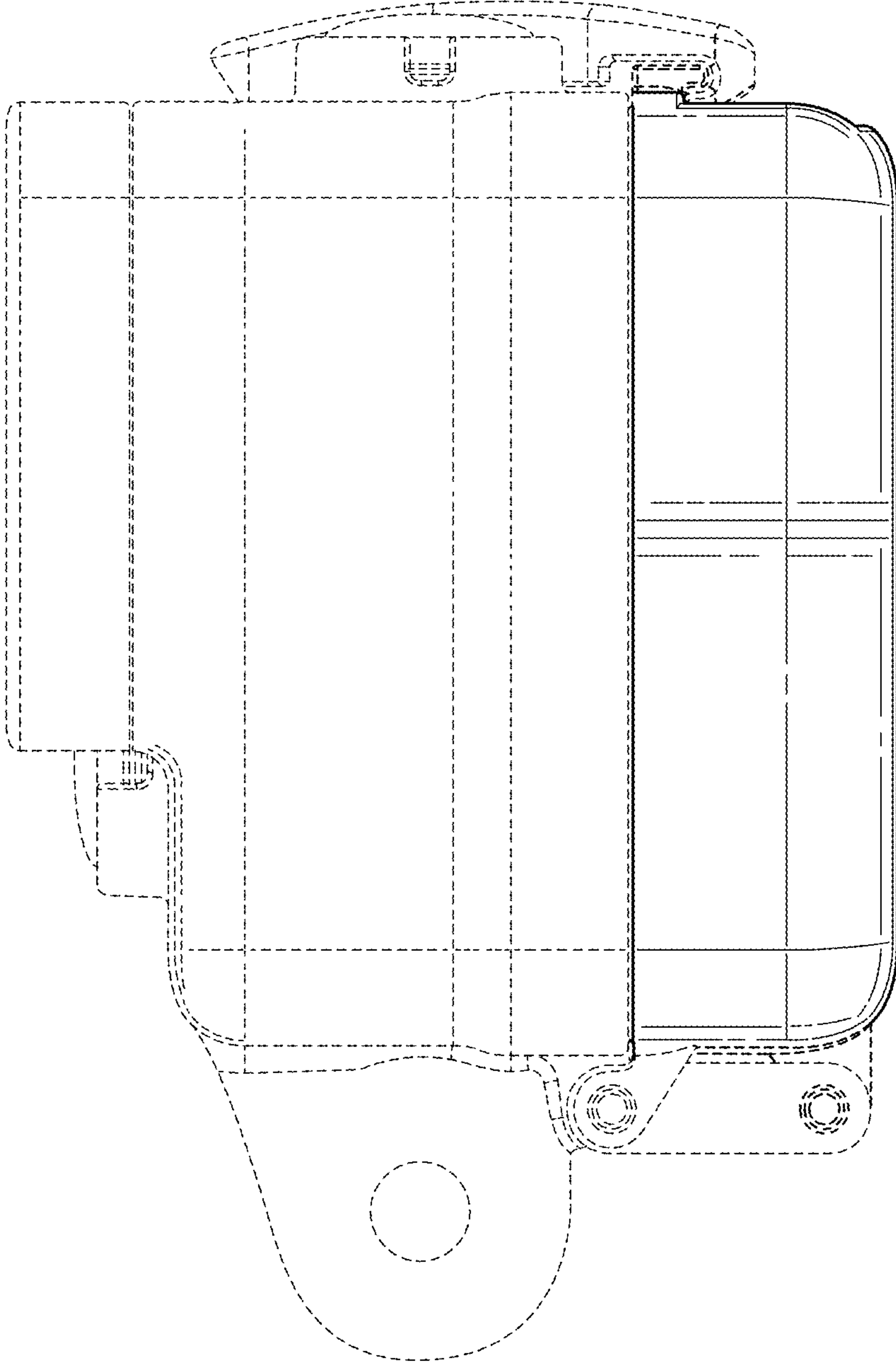


FIG. 8

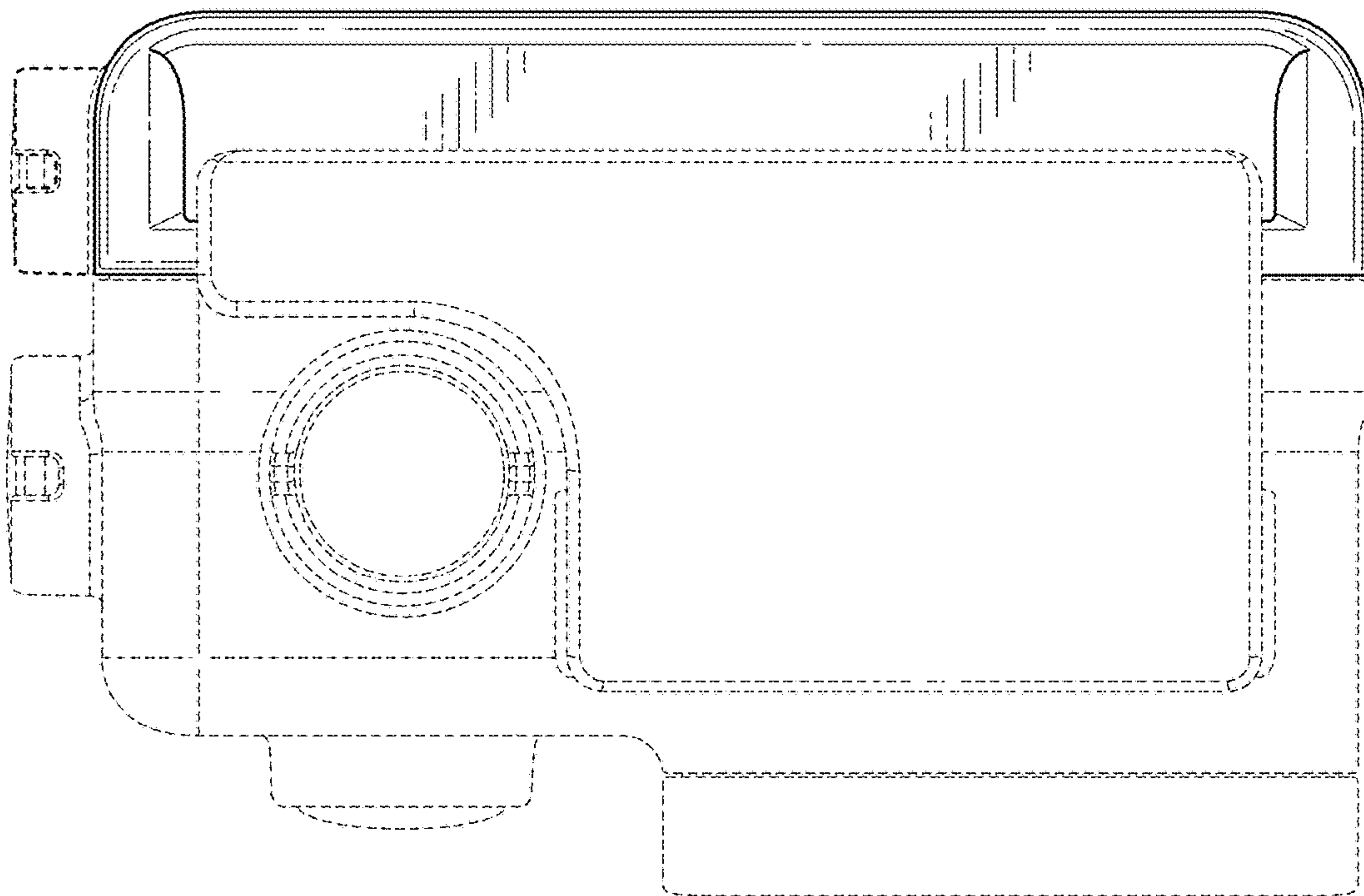


FIG. 9

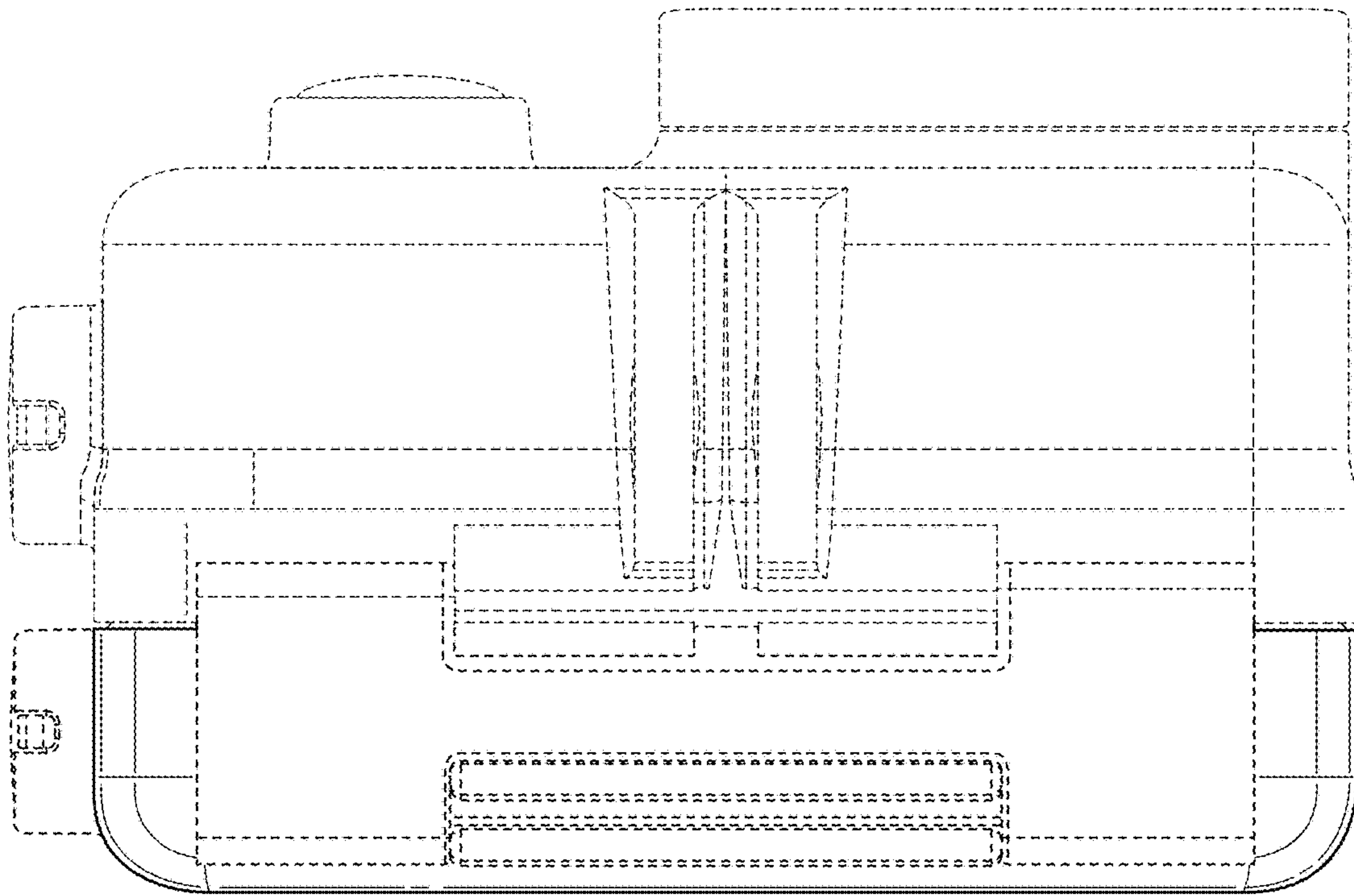


FIG. 10