



US00D821479S

(12) **United States Design Patent** (10) **Patent No.:** **US D821,479 S**
Cabral et al. (45) **Date of Patent:** **** Jun. 26, 2018**

(54) **PANORAMIC VIRTUAL REALITY CAMERA**

(71) Applicant: **Facebook, Inc.**, Menlo Park, CA (US)

(72) Inventors: **Brian Keith Cabral**, San Jose, CA (US); **Forrest Samuel Briggs**, Palo Alto, CA (US); **Joyce Hsu**, Oakland, CA (US)

(73) Assignee: **Facebook, Inc.**, Menlo Park, CA (US)

(**) Term: **15 Years**

(21) Appl. No.: **29/560,733**

(22) Filed: **Apr. 8, 2016**

(51) **LOC (11) Cl.** **16-01**

(52) **U.S. Cl.**
USPC **D16/207**

(58) **Field of Classification Search**
USPC D14/124, 125, 126, 129, 133, 314, 317, D14/336, 348-351, 356, 420; D16/200, D16/201, 202, 203, 205-221, 225, 232, D16/235

CPC G03B 15/03; G03B 17/04; G03B 17/56; G03B 19/04; H04N 5/2251-5/2254
See application file for complete search history.

(56) **References Cited**

U.S. PATENT DOCUMENTS

D253,786 S *	12/1979	Montague	273/454
D262,222 S *	12/1981	Vernon, Jr.	D21/324
D331,060 S *	11/1992	Emmons	D14/218
D424,086 S *	5/2000	Choi	D16/202
D445,123 S *	7/2001	Shen	D16/244
D475,385 S *	6/2003	Christianson	D16/202
D493,479 S *	7/2004	Yoshikawa	D16/202
D496,676 S *	9/2004	Yoshikawa	D16/202
D505,439 S *	5/2005	Liiv	D16/202
6,947,059 B2 *	9/2005	Pierce	H04N 5/23238 345/629

7,429,997 B2 *	9/2008	Givon	G03B 35/00 348/38
7,463,280 B2 *	12/2008	Steuart, III	G03B 35/08 348/36
D645,071 S *	9/2011	Hinkel	D16/203
8,138,942 B2 *	3/2012	Otsuka	G08C 17/02 340/815.78
D664,178 S *	7/2012	Hinkel	D16/203
D671,157 S *	11/2012	Richardson	D16/202
D700,232 S *	2/2014	Ramsay	D16/207
D733,208 S *	6/2015	Tzarnotzky	D16/207
D734,380 S *	7/2015	Tzarnotzky	D16/207
9,152,019 B2 *	10/2015	Kintner	G03B 17/561
D742,955 S *	11/2015	Kozko	D16/207

(Continued)

OTHER PUBLICATIONS

GoPro Odyssey, six pages, [online] [retrieved Jun. 22, 2016], Retrieved from the internet <<https://gopro.com/odyssey>>.

(Continued)

Primary Examiner — Susan E Krakower
Assistant Examiner — L. A. Grabenstetter
(74) *Attorney, Agent, or Firm* — Fenwick & West LLP

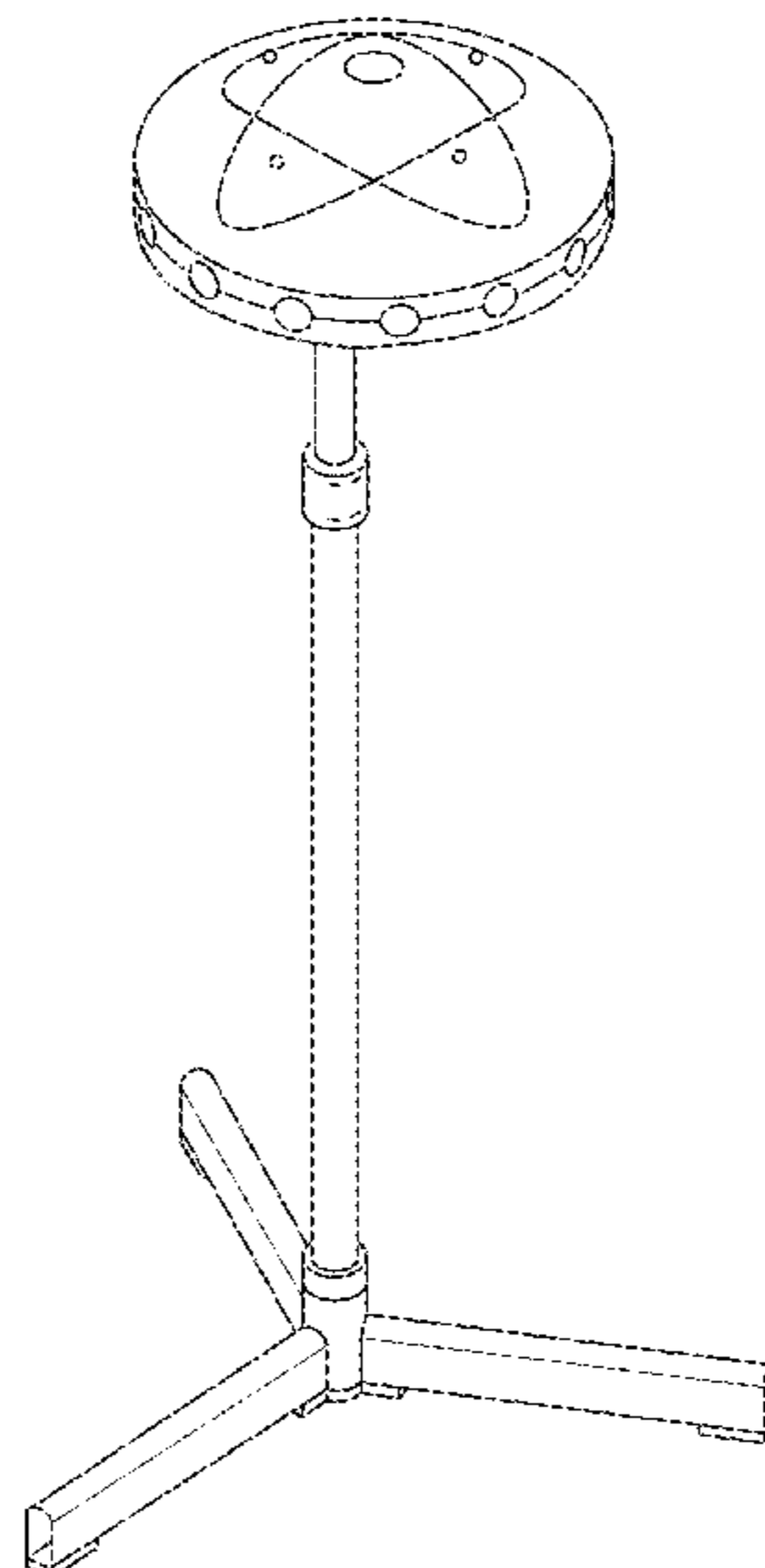
(57) **CLAIM**

We claim the ornamental design for a panoramic virtual reality camera, as shown and described.

DESCRIPTION

FIG. 1 is an isometric view of a panoramic virtual reality camera.
FIG. 2 is a top view thereof.
FIG. 3 is a bottom view thereof.
FIG. 4 is a first side view thereof; and,
FIG. 5 is a second side view thereof.
The broken lines in the drawings represent unclaimed portions of the panoramic virtual reality camera and form no part of the claimed design.

1 Claim, 5 Drawing Sheets



(56)

References Cited

U.S. PATENT DOCUMENTS

D745,076 S * 12/2015 Pfeil D16/207
D768,751 S * 10/2016 Sarwari D16/219
D785,070 S * 4/2017 Mistry D16/207
2016/0212409 A1 * 7/2016 Cole H04N 13/0022

OTHER PUBLICATIONS

Jump—Google VR, five pages, [online] [retrieved Jun. 22, 2016], Retrieved from the internet <<https://vr.google.com/jump/>>.

Lee, Nicole, “Samsung unveils Project Beyond, a 3D-capturing camera for Gear VR,” engadget, Nov. 12, 2014, two pages, [online] [retrieved Jun. 22, 2016], Retrieved from the internet <<https://www.engadget.com/2014/11/12/samsung-project-beyond/>>.

Lytro Immerge, six pages, [online] [retrieved Jun. 22, 2016], Retrieved from the internet <<https://www.lytro.com/immerge#immergeDetails>>.

Nokia OZO: Virtual Reality Camera with 360degree audio and video capture, six pages, [online] [retrieved Jun. 22, 2016], Retrieved from the internet <<https://ozo.nokia.com/>>.

Technology—Jaunt, four pages, [online] [retrieved Jun. 22, 2016], Retrieved from the internet <<https://www.jauntvr.com/technology/>>.

* cited by examiner

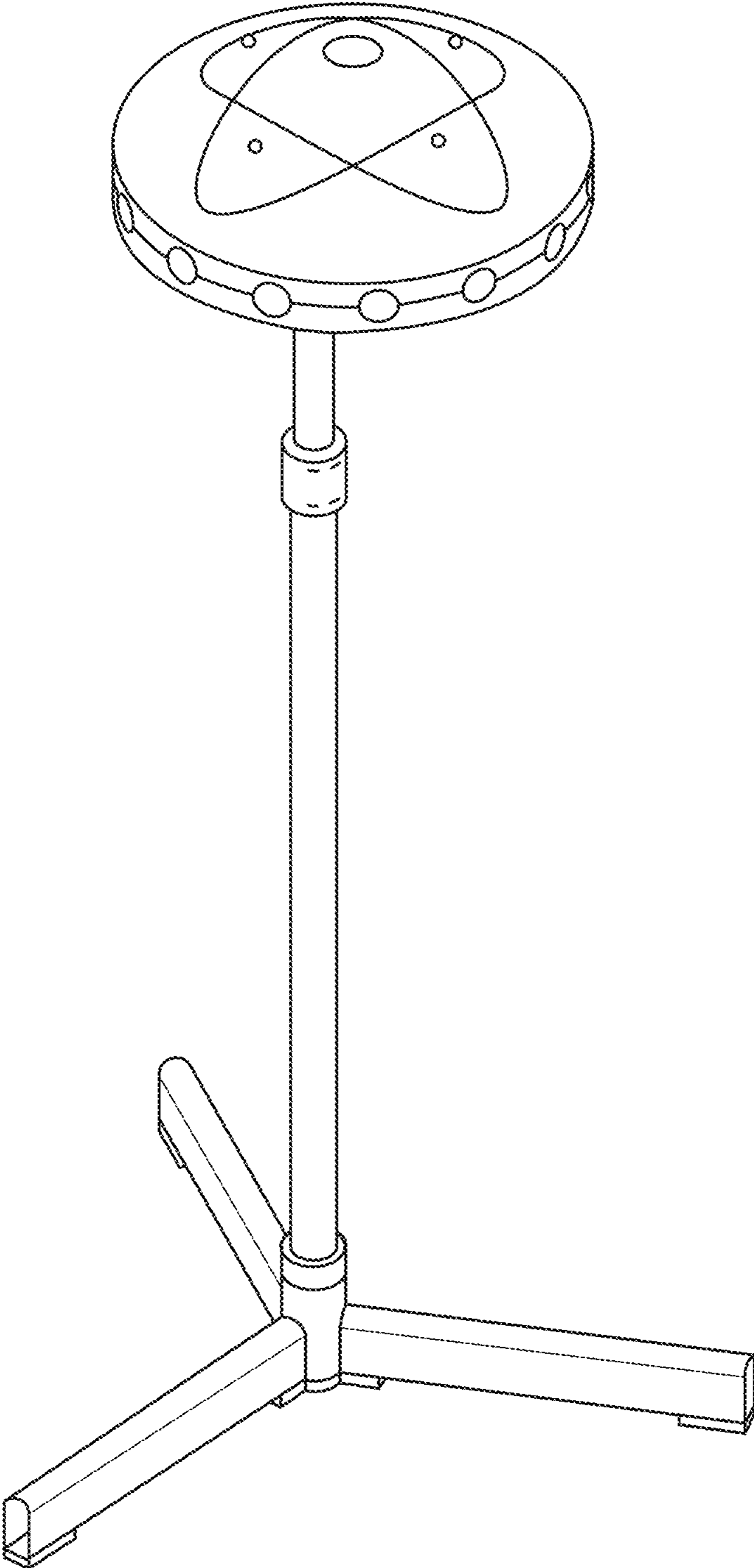


FIG. 1

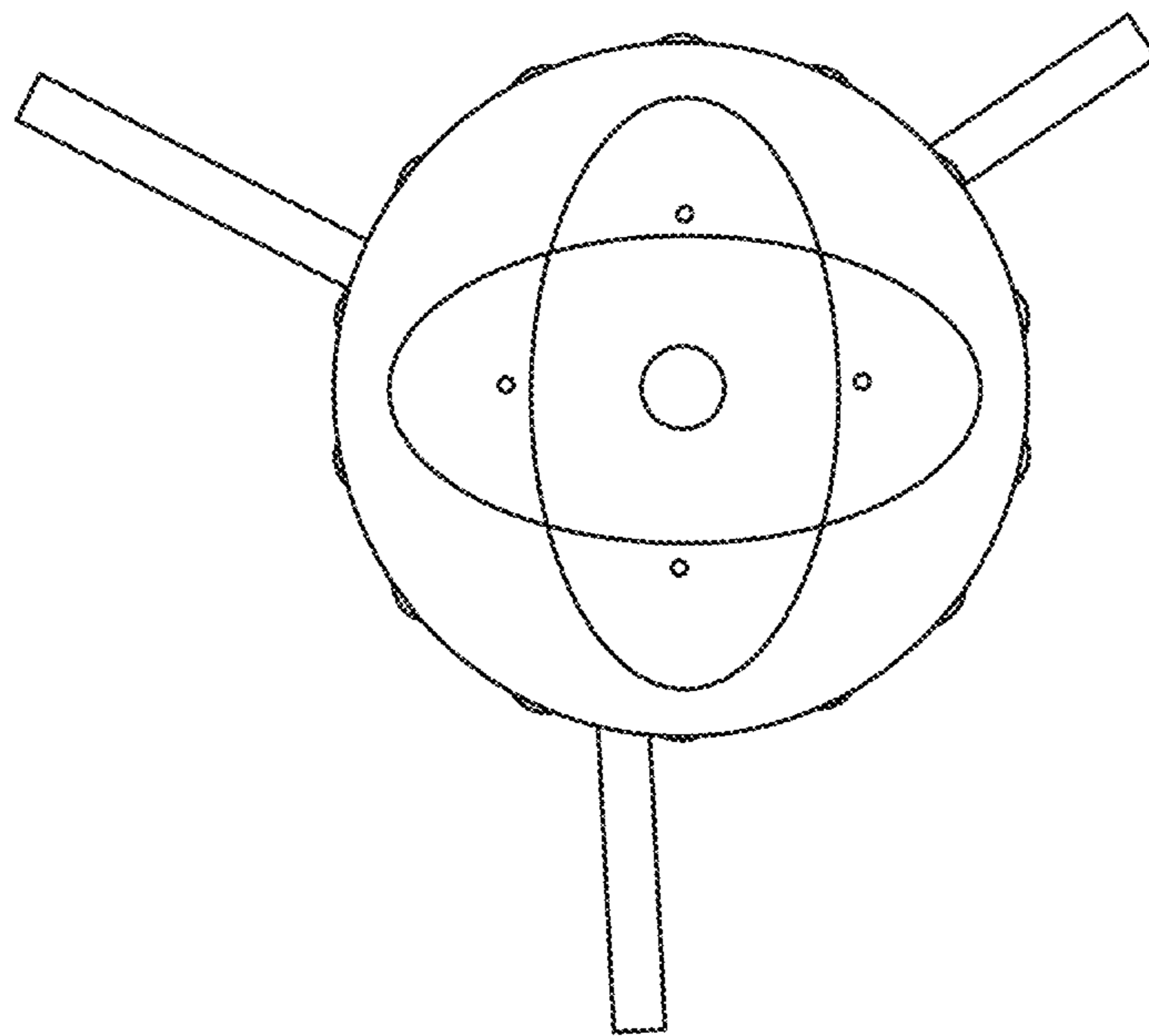


FIG. 2

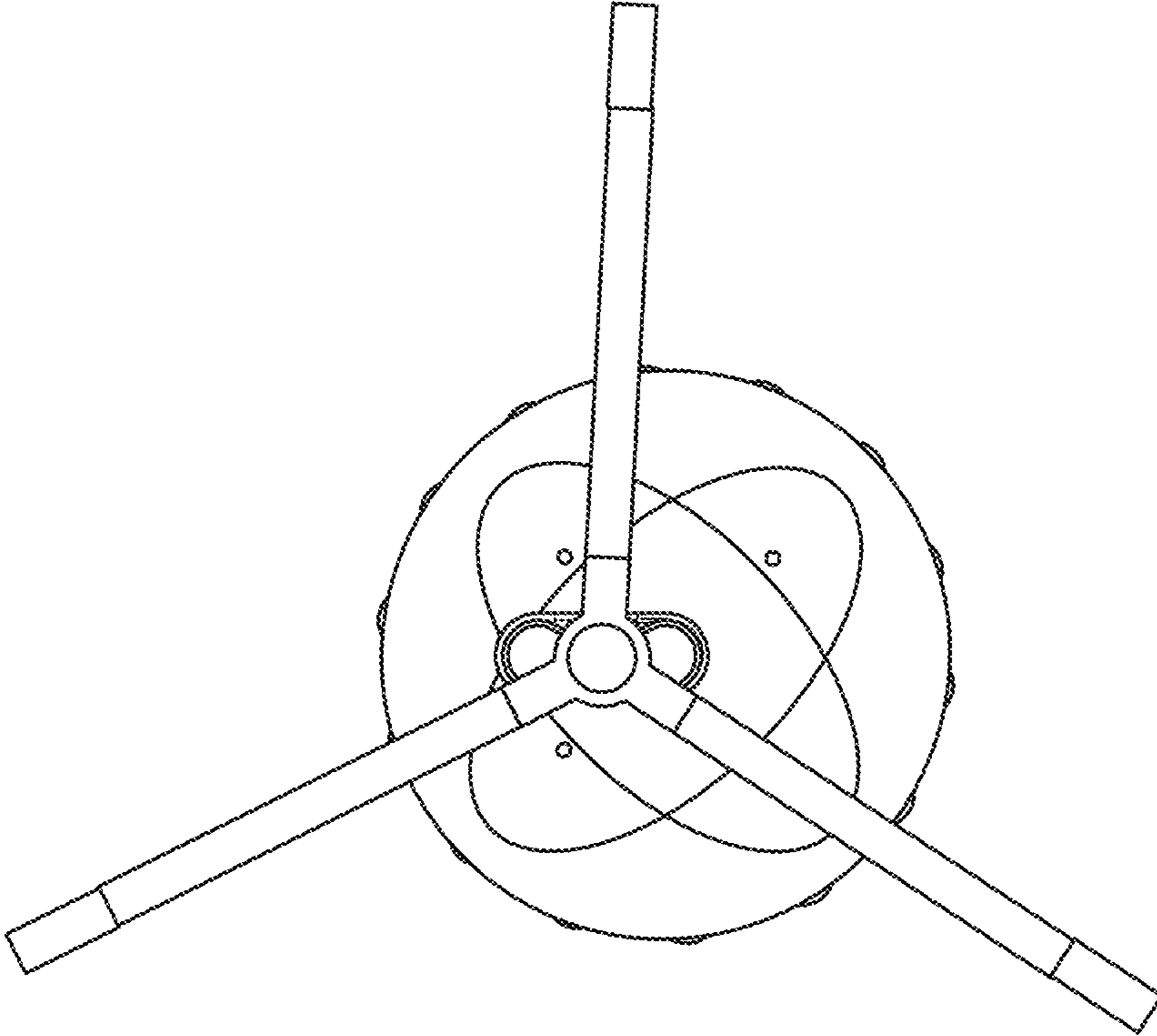


FIG. 3

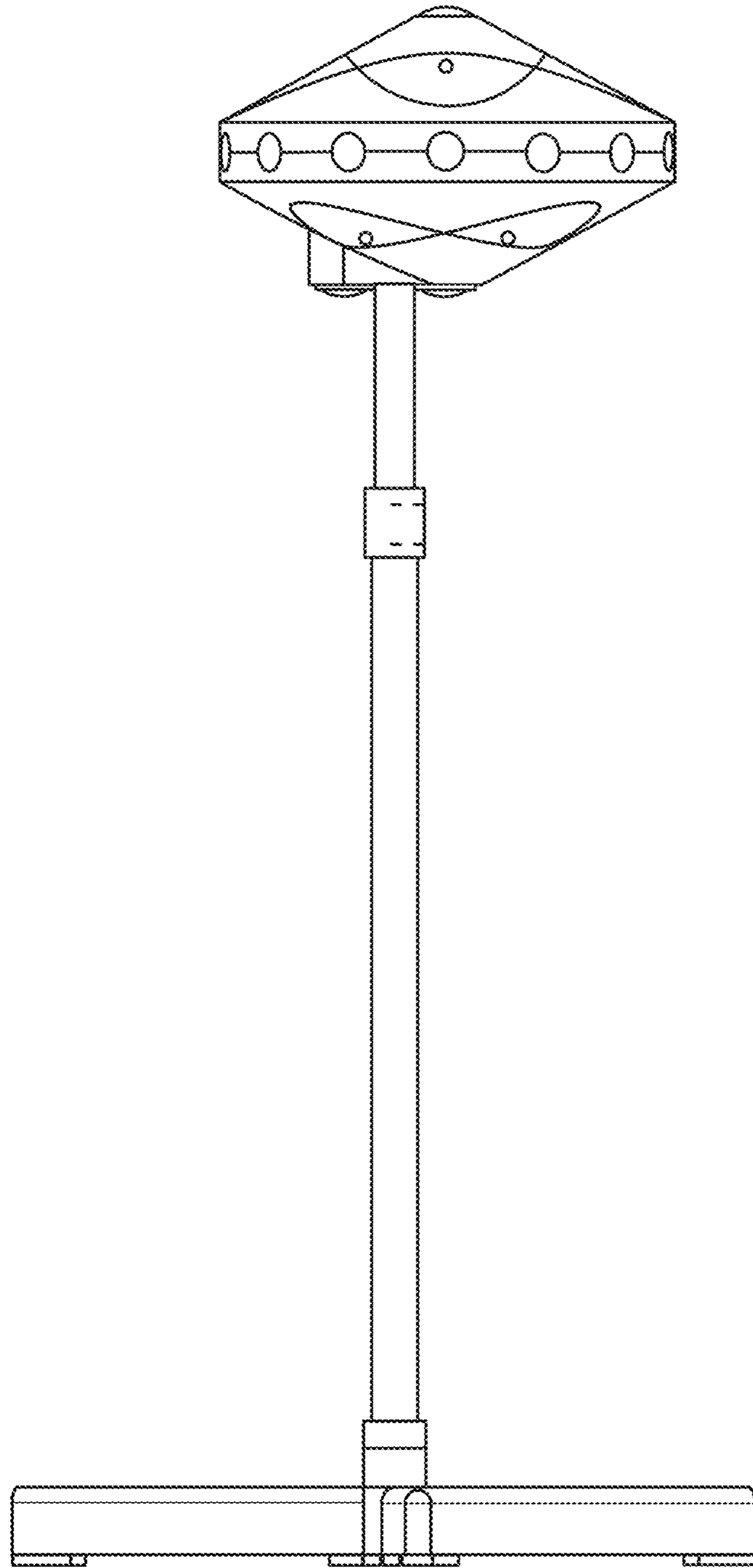


FIG. 4

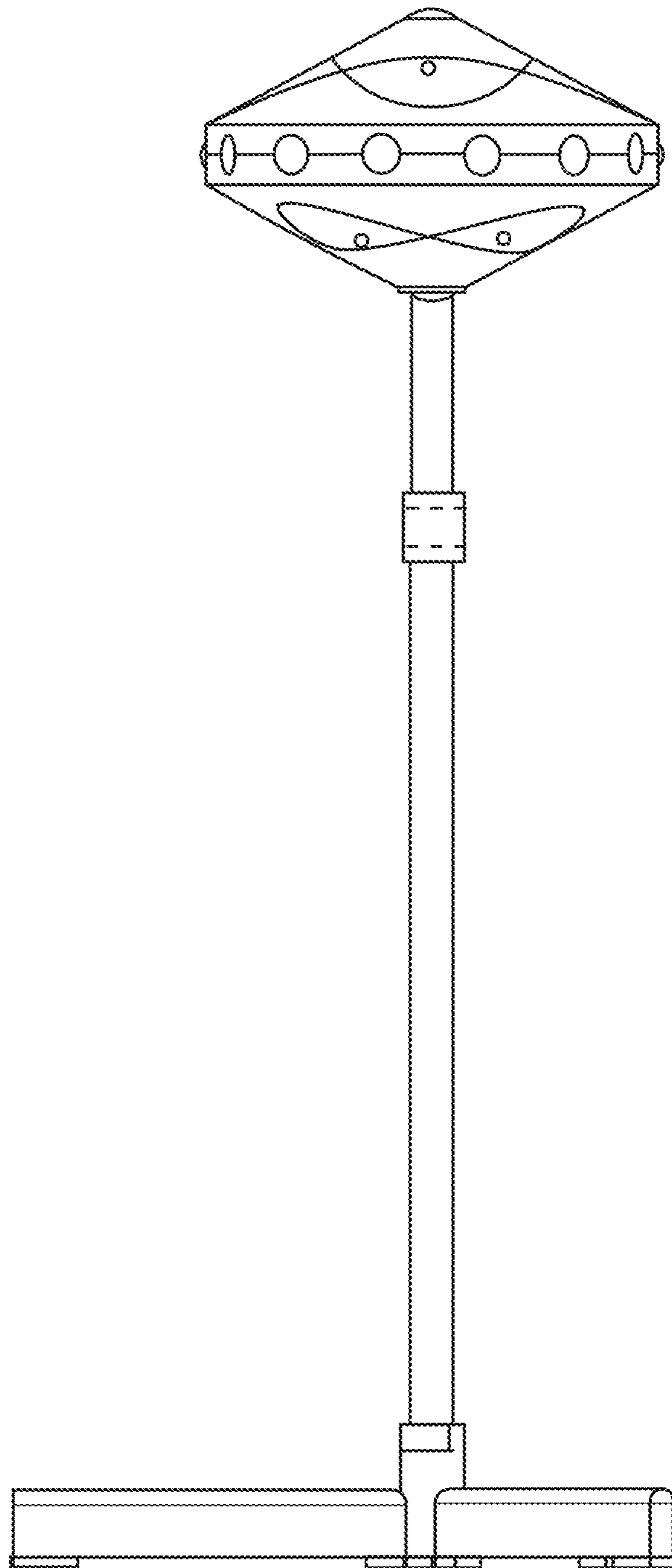


FIG. 5