



US00D821478S

(12) **United States Design Patent**
Siminoff et al.

(10) **Patent No.:** **US D821,478 S**
(45) **Date of Patent:** **** Jun. 26, 2018**

(54) **FLOODLIGHT CONTROLLER WITH CAMERA**

(71) Applicant: **Ring Inc.**, Santa Monica, CA (US)

(72) Inventors: **James Siminoff**, Pacific Palisades, CA (US); **John Modestine**, Los Angeles, CA (US); **Mark Siminoff**, Mountain View, CA (US); **Christopher Loew**, Palo Alto, CA (US)

(**) Term: **15 Years**

(21) Appl. No.: **29/621,249**

(22) Filed: **Oct. 5, 2017**

Related U.S. Application Data

(63) Continuation of application No. 29/583,174, filed on Nov. 2, 2016, now Pat. No. Des. 802,645.

(51) **LOC (11) Cl.** **16-01**

(52) **U.S. Cl.**
USPC **D16/203**

(58) **Field of Classification Search**
USPC D16/200, 202–207, 208, 218, 219;
348/143, 148, 151, 373–376; 396/419,
396/427, 535, 539–541
CPC G03B 17/02; G03B 19/04; G03B 17/56;
G03B 17/04; G03B 15/03; H04N 5/2251;
H04N 5/2252; H04N 5/2253; H04N
5/2254; H04N 7/181; H04N 7/183; H04N
7/18; G08B 13/1963; G08B 13/19619;
G08B 13/19632; F16M 11/04; F16M
13/00

See application file for complete search history.

(56) **References Cited**

U.S. PATENT DOCUMENTS

D638,458 S * 5/2011 Miyamori D16/202
D649,573 S * 11/2011 Ai D16/202
D697,119 S * 1/2014 Park D16/202

D721,754 S * 1/2015 Chen D16/202
D741,932 S * 10/2015 Huang D16/202
D743,467 S * 11/2015 Bhattacharya D16/203
D747,383 S * 1/2016 Li D16/203
D754,231 S * 4/2016 Murray D16/202
D754,767 S * 4/2016 Sandy D16/202
D755,875 S * 5/2016 Geng H04N 5/2251
D16/203
D788,834 S * 6/2017 Bhattacharya D16/203
2013/0038728 A1 * 2/2013 Kim H04N 5/2252
348/143
2014/0160349 A1 * 6/2014 Huang H04N 5/2251
348/375

* cited by examiner

Primary Examiner — Philip S Hyder

Assistant Examiner — Ramzi Almatrahi

(74) *Attorney, Agent, or Firm* — Chong IP Law, LLP

(57) **CLAIM**

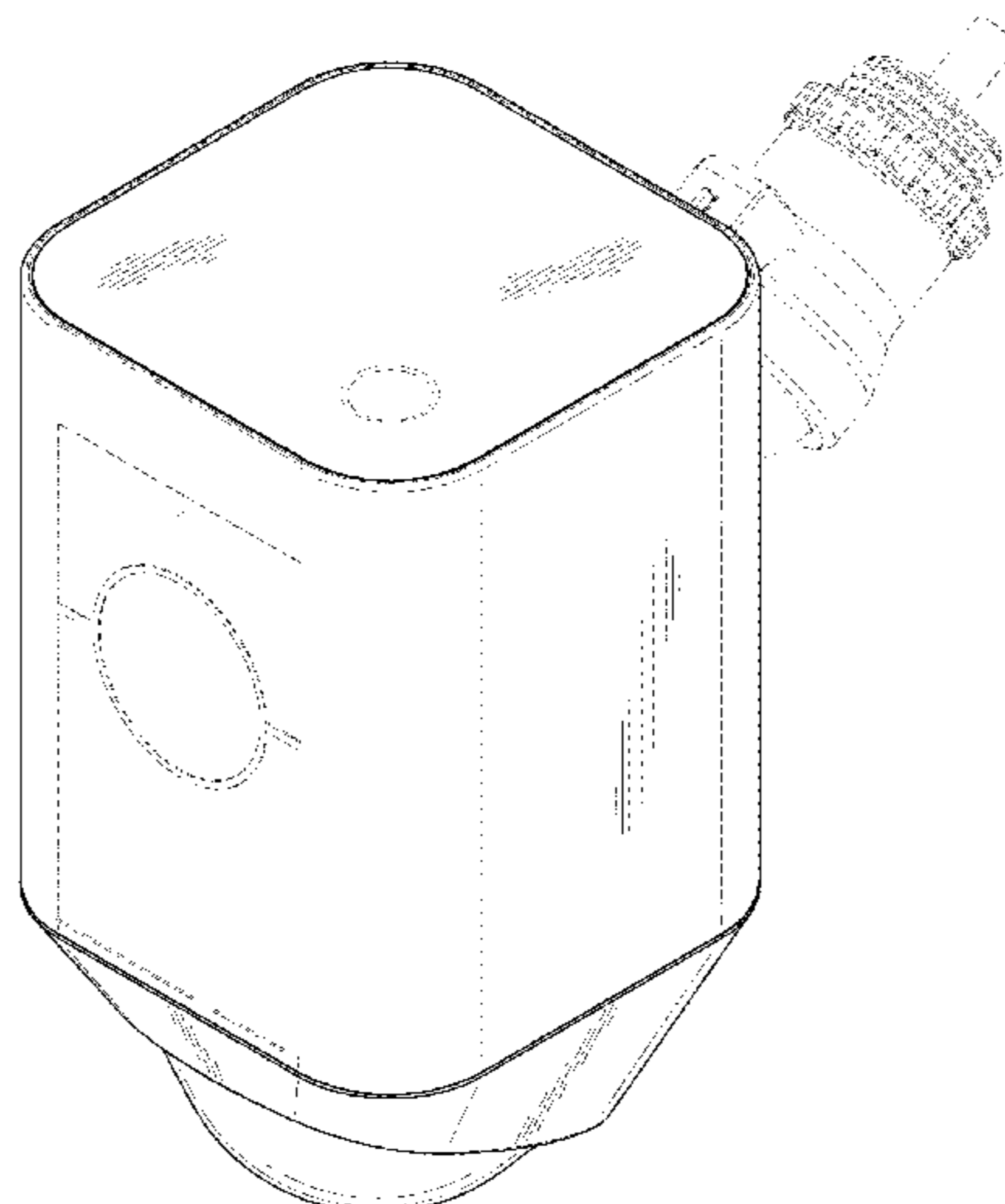
The ornamental design for a floodlight controller with camera, as shown and described.

DESCRIPTION

FIG. 1 is a front perspective view of a floodlight controller with camera according to the present design;
FIG. 2 is a front elevational view of the floodlight controller with camera of FIG. 1;
FIG. 3 is a rear elevational view of the floodlight controller with camera of FIG. 1;
FIG. 4 is a right-side elevational view of the floodlight controller with camera of FIG. 1;
FIG. 5 is a left-side elevational view of the floodlight controller with camera of FIG. 1;
FIG. 6 is a top plan view of the floodlight controller with camera of FIG. 1; and,
FIG. 7 is a bottom plan view of the floodlight controller with camera of FIG. 1.

In the drawings, the broken lines depict portions of the floodlight controller with camera that form no part of the claimed design.

1 Claim, 7 Drawing Sheets



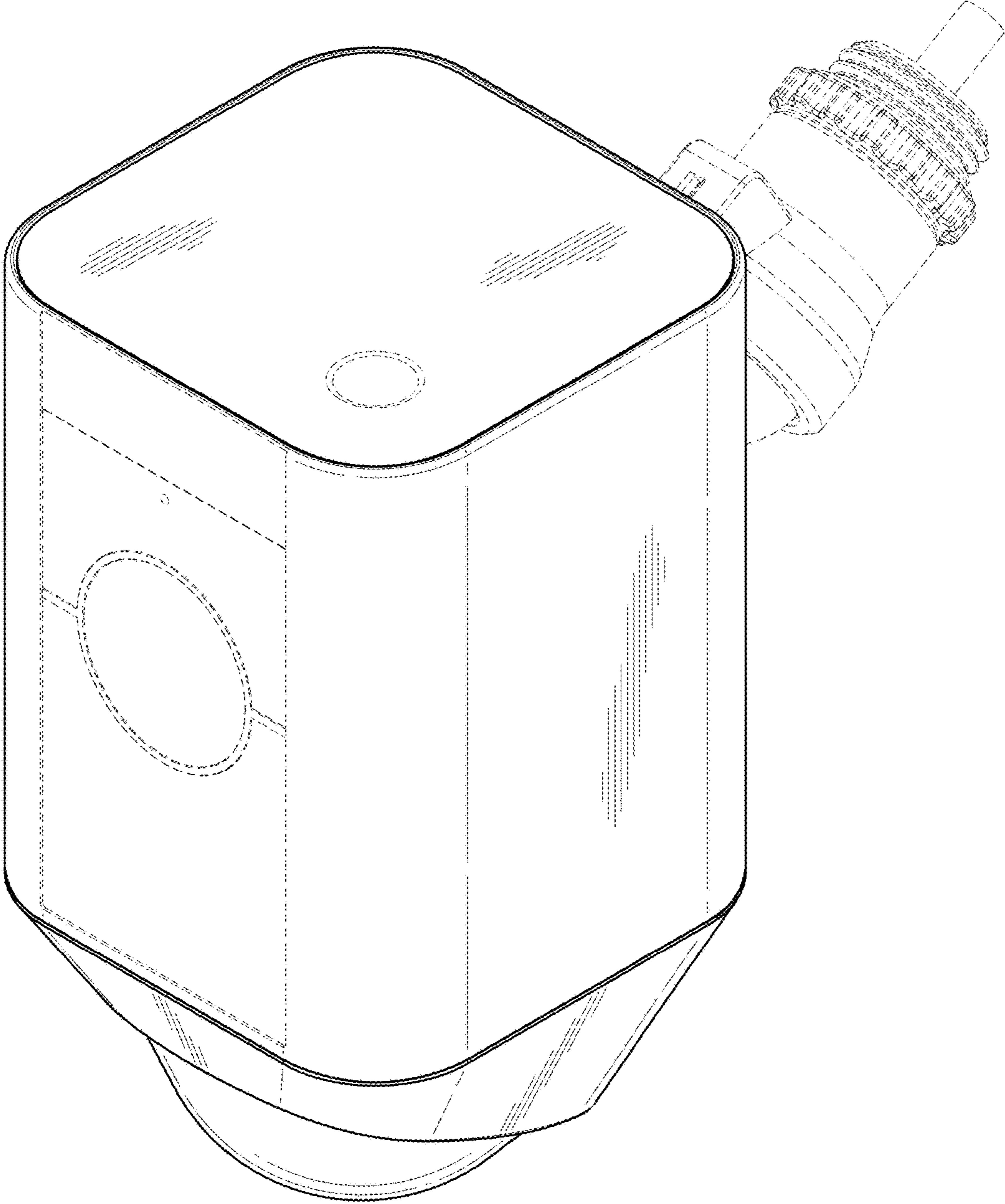


FIG. 1

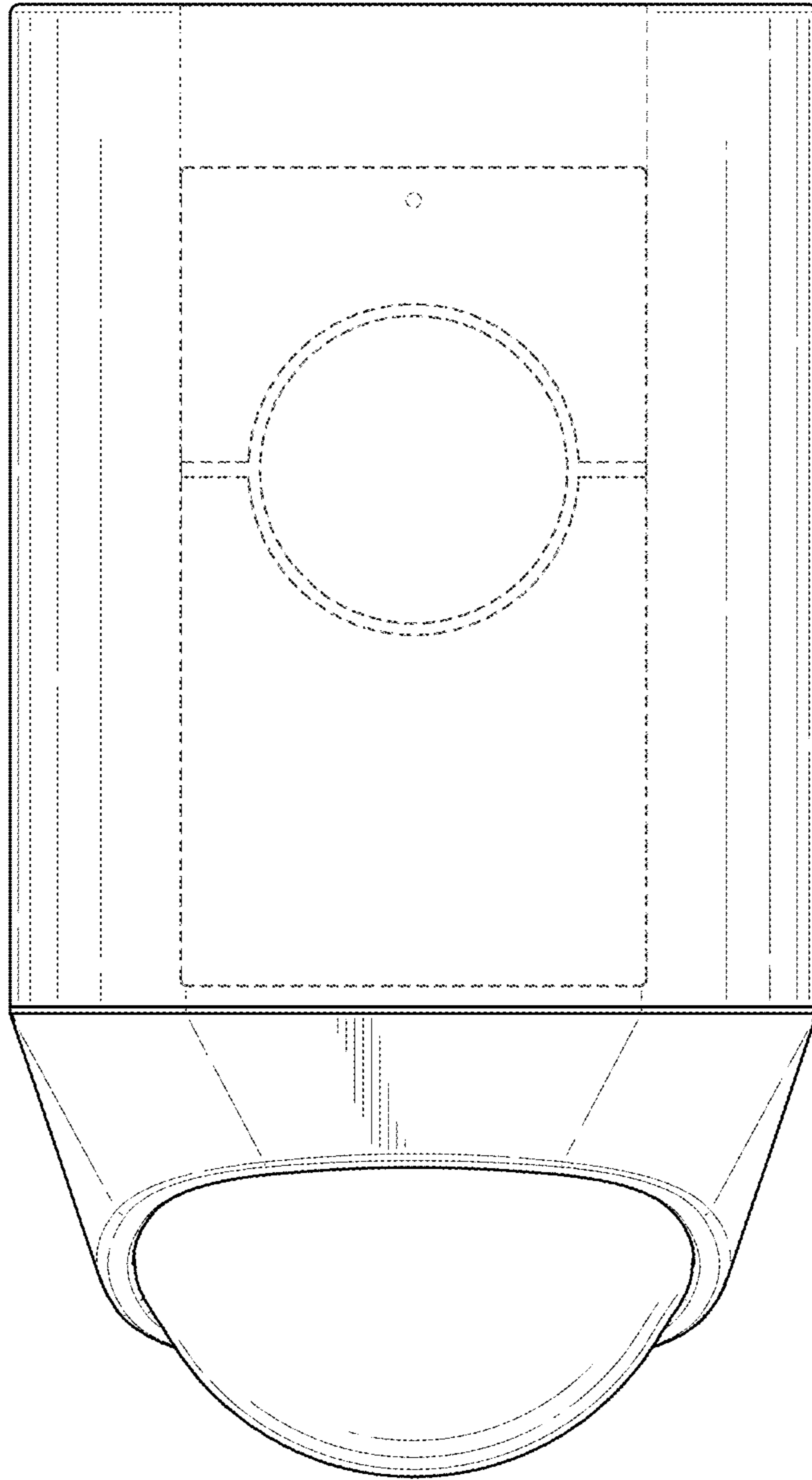


FIG. 2

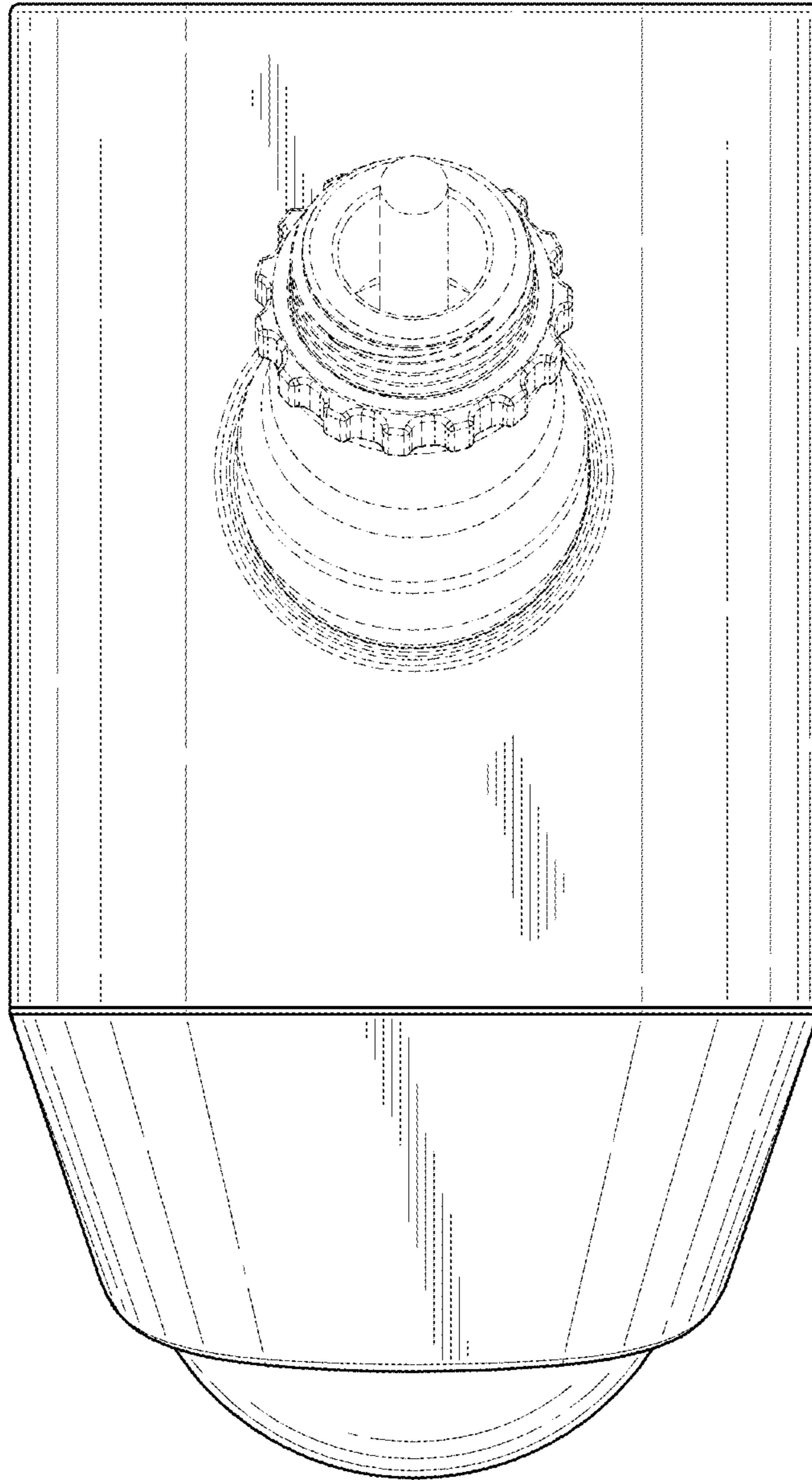


FIG. 3

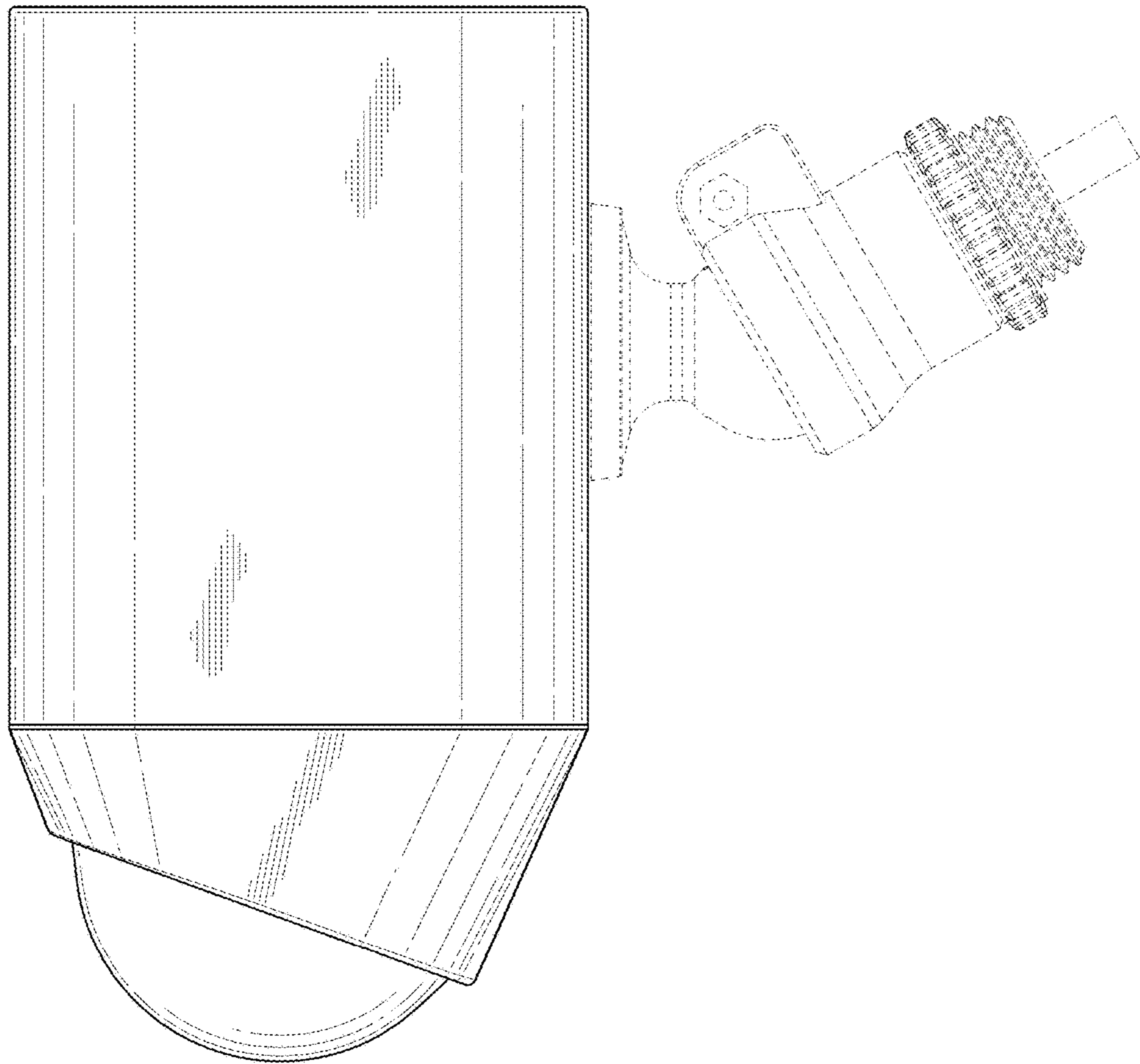


FIG. 4

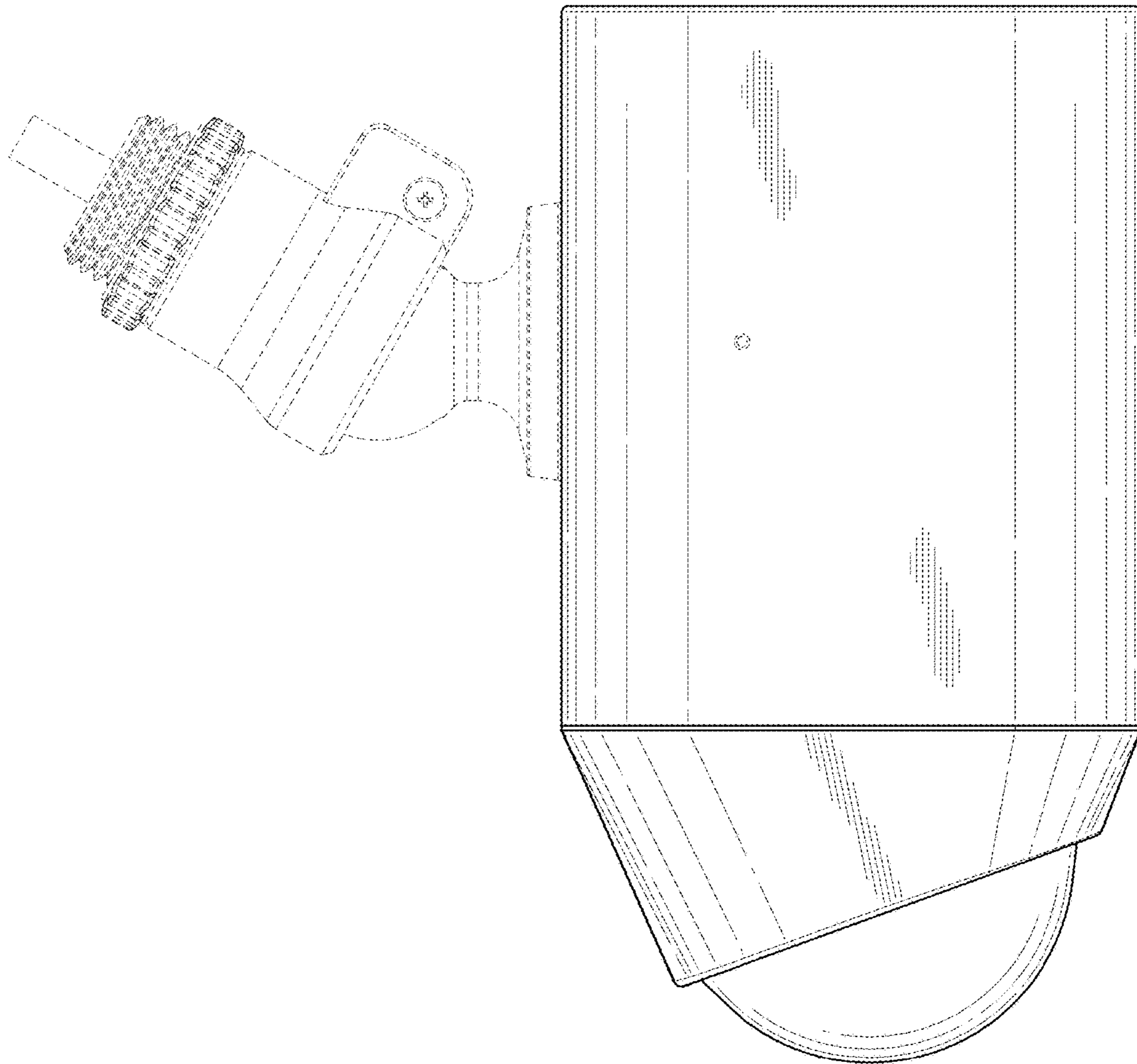


FIG. 5

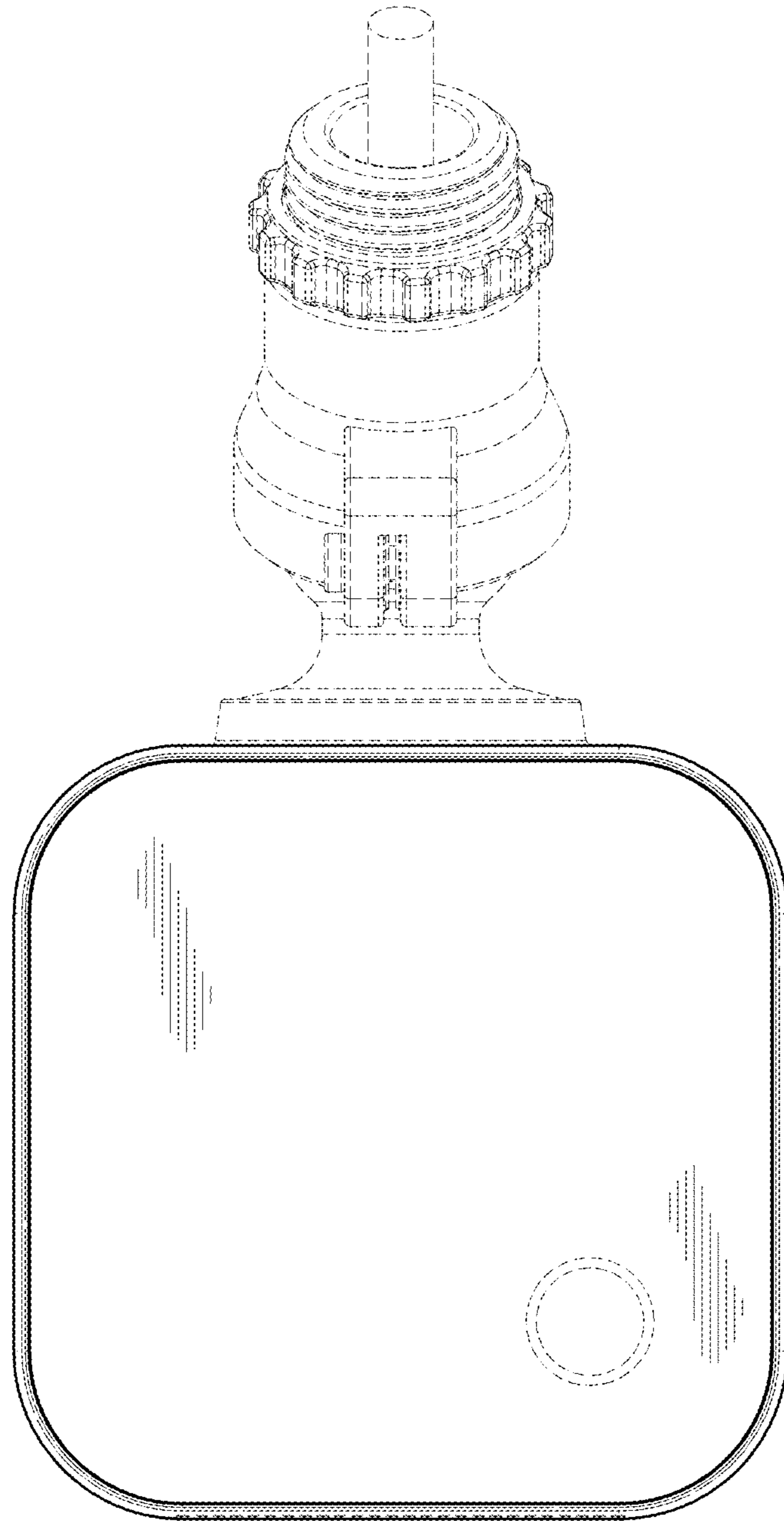


FIG. 6

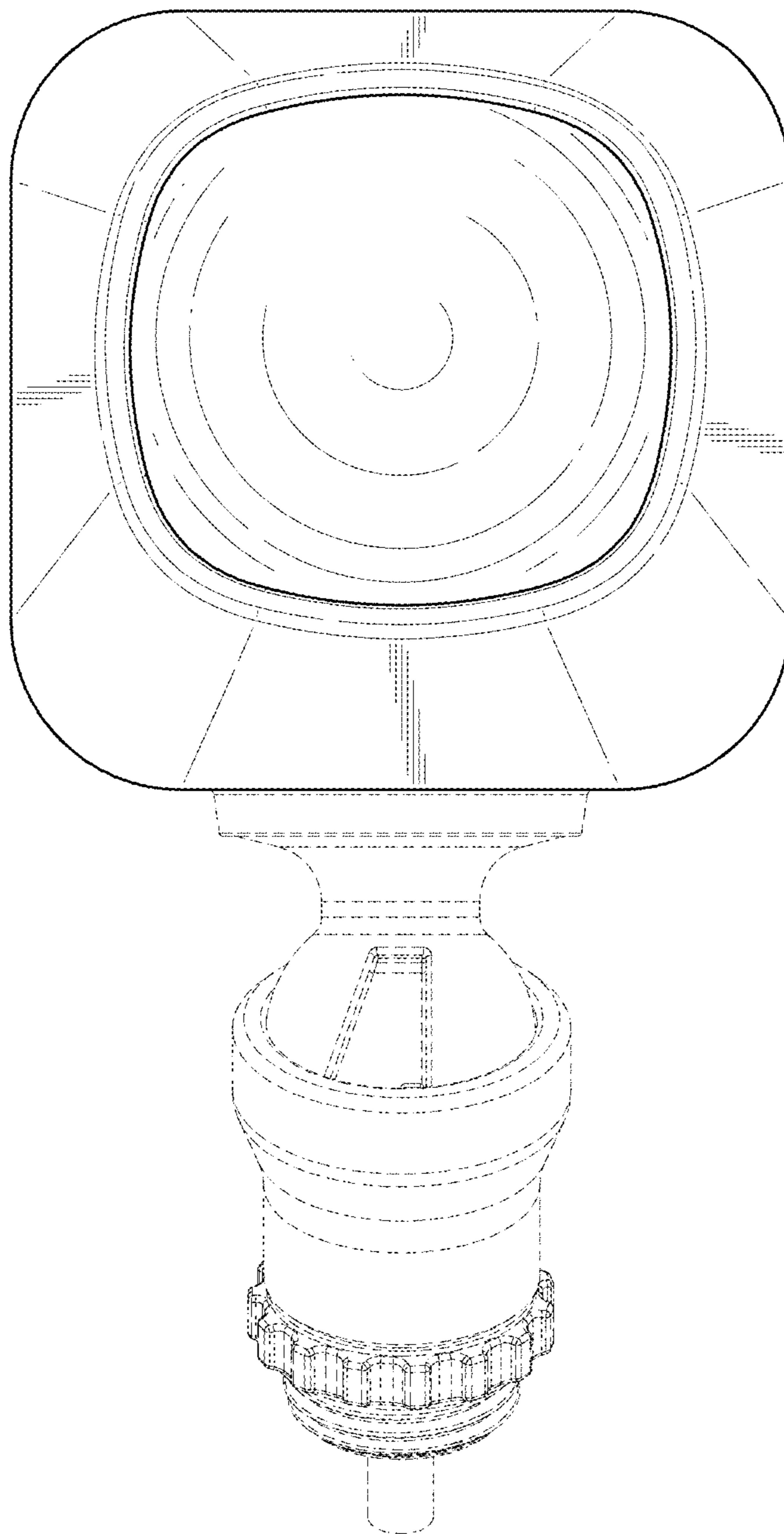


FIG. 7