



US00D821477S

(12) **United States Design Patent**  
**Moon et al.**

(10) **Patent No.:** **US D821,477 S**  
(45) **Date of Patent:** **\*\* Jun. 26, 2018**

(54) **SURVEILLANCE CAMERA**

(71) Applicant: **Hanwha Techwin Co., Ltd.**,  
Changwon-si (KR)

(72) Inventors: **MiJung Moon**, Changwon-si (KR);  
**HoJin Park**, Changwon-si (KR)

(73) Assignee: **Hanwha Techwin Co., Ltd.**,  
Changwon-si (KR)

(\*\*) Term: **15 Years**

(21) Appl. No.: **29/588,972**

(22) Filed: **Dec. 27, 2016**

(30) **Foreign Application Priority Data**

Jul. 27, 2016 (KR) ..... 30-2016-0036744

(51) **LOC (11) Cl.** ..... **16-01**

(52) **U.S. Cl.**  
USPC ..... **D16/203**

(58) **Field of Classification Search**

USPC ..... D16/200, 202–205, 208, 218, 219, 242;  
348/14.01–14.06, 143, 148, 373–376;  
396/419, 427, 535, 539–541  
CPC ..... G03B 17/02; G03B 19/04; G03B 17/56;  
G03B 17/04; G03B 15/03; H04N 5/2251;  
H04N 5/2252; H04N 5/2253; H04N  
5/2254; H04N 2007/145; H04N 7/141;  
H04N 7/142; H04N 7/147; H04N 7/148;  
H04N 7/15; H04N 7/152

See application file for complete search history.

(56) **References Cited**

**U.S. PATENT DOCUMENTS**

D509,842 S \* 9/2005 Ou ..... D16/202  
D559,881 S \* 1/2008 Yoneji ..... D16/203

D634,345 S \* 3/2011 Kim ..... D16/203  
D634,767 S \* 3/2011 Ko ..... D16/203  
D695,809 S \* 12/2013 Katori ..... D16/203  
D721,756 S \* 1/2015 Hallstrom ..... D16/203  
D731,574 S \* 6/2015 Hallstrom ..... D16/203  
D740,873 S \* 10/2015 Scalisi ..... D16/203  
D743,475 S \* 11/2015 Cover ..... D16/203  
D749,161 S \* 2/2016 Scalisi ..... D16/203  
D761,342 S \* 7/2016 Kim ..... D16/203  
D768,223 S \* 10/2016 Wu ..... D16/203  
D787,581 S \* 5/2017 Moller-Lewin ..... D16/203

\* cited by examiner

*Primary Examiner* — Philip S Hyder

*Assistant Examiner* — Ramzi Almatrahi

(74) *Attorney, Agent, or Firm* — Sughrue Mion, PLLC

(57) **CLAIM**

The ornamental design for a surveillance camera, as shown and described.

**DESCRIPTION**

FIG. 1 is a front perspective view of a surveillance camera showing our new design;  
FIG. 2 is a front elevational view of the surveillance camera;  
FIG. 3 is a rear elevational view of the surveillance camera;  
FIG. 4 is a left side elevational view of the surveillance camera;  
FIG. 5 is a right side elevational view of the surveillance camera;  
FIG. 6 is a top plan view of the surveillance camera; and,  
FIG. 7 is a bottom plan view of the surveillance camera.  
The broken lines depict portions of the surveillance camera in which the design is embodied that form no part of the claimed design.

**1 Claim, 5 Drawing Sheets**

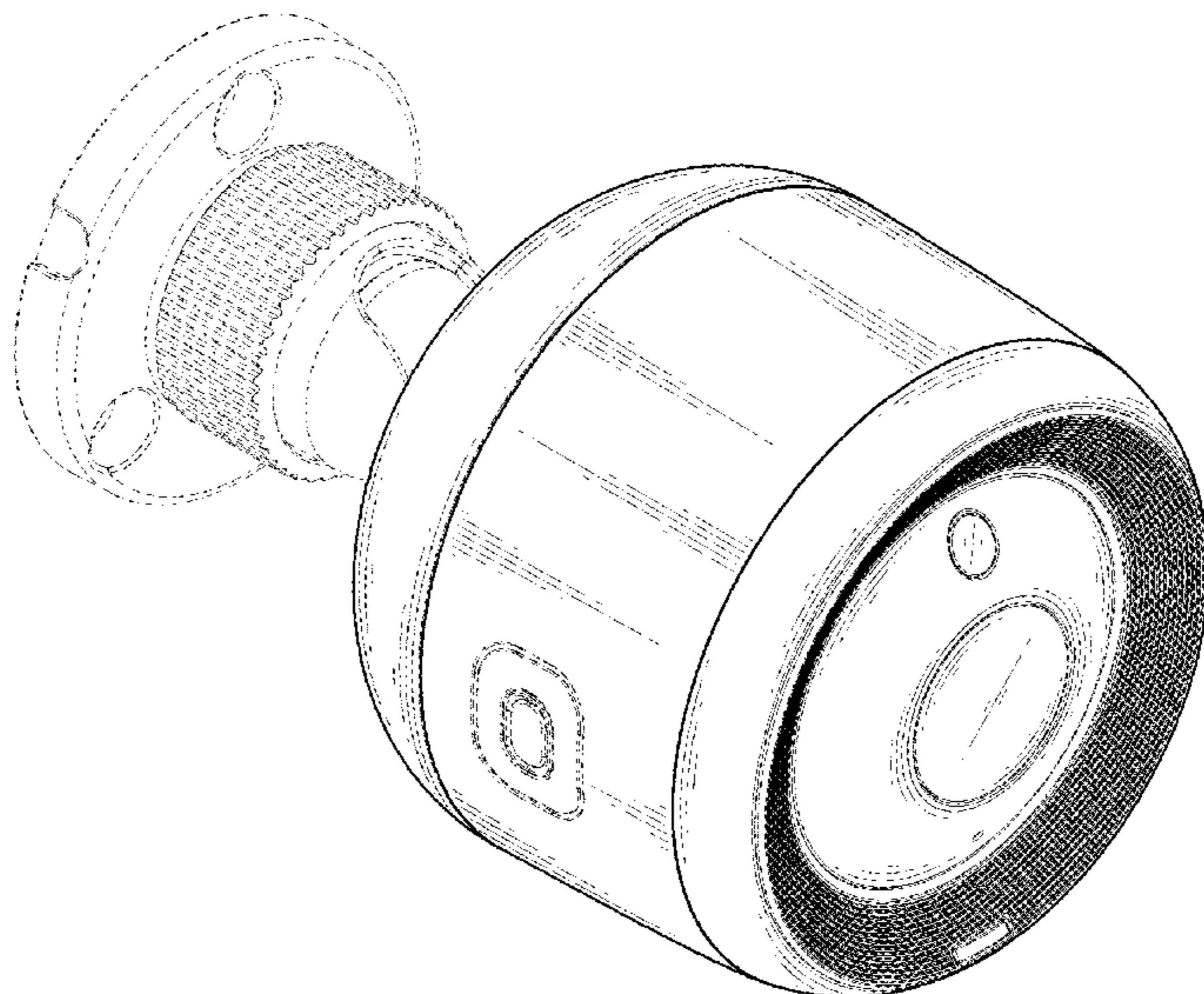


FIG. 1

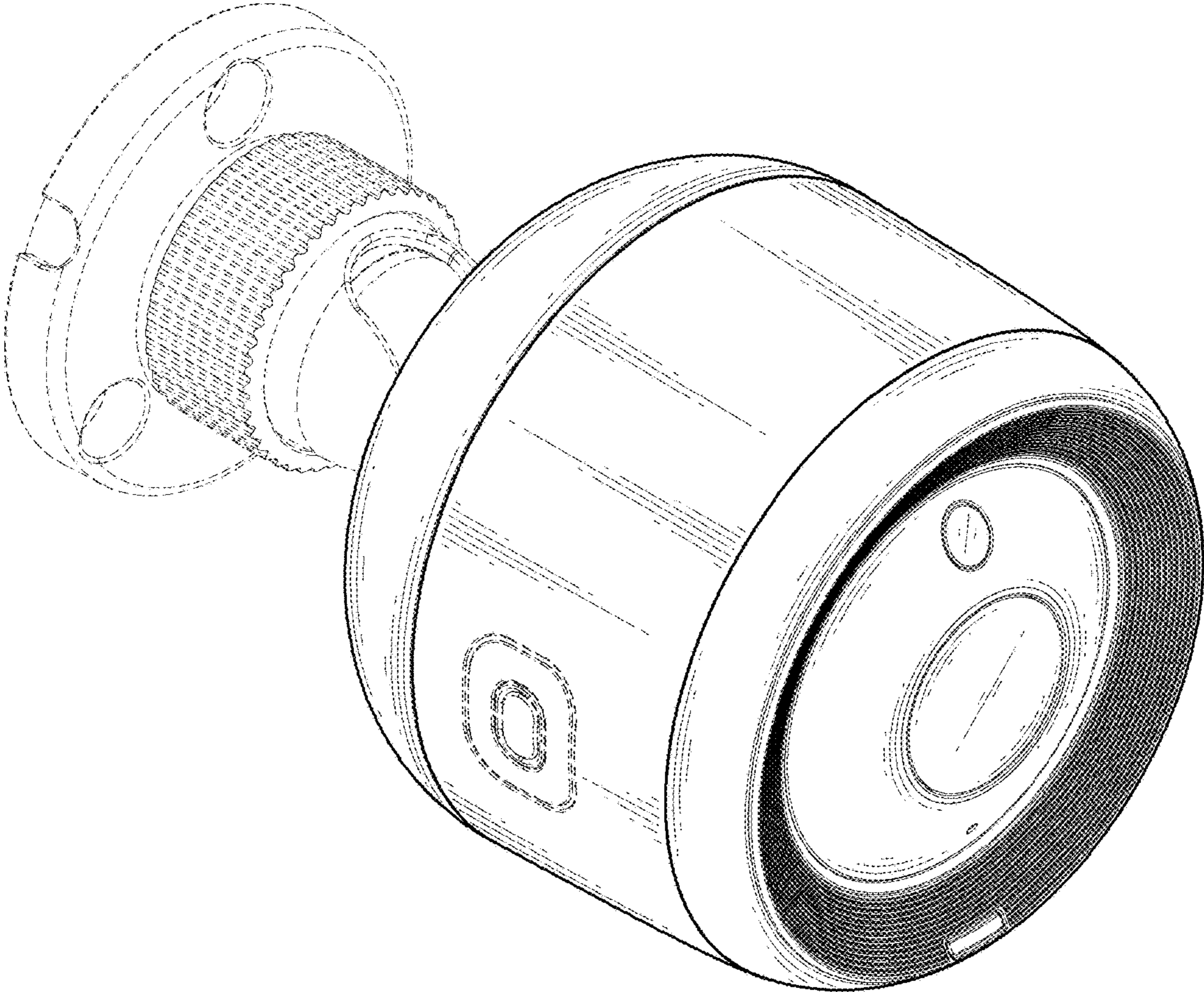


FIG. 2

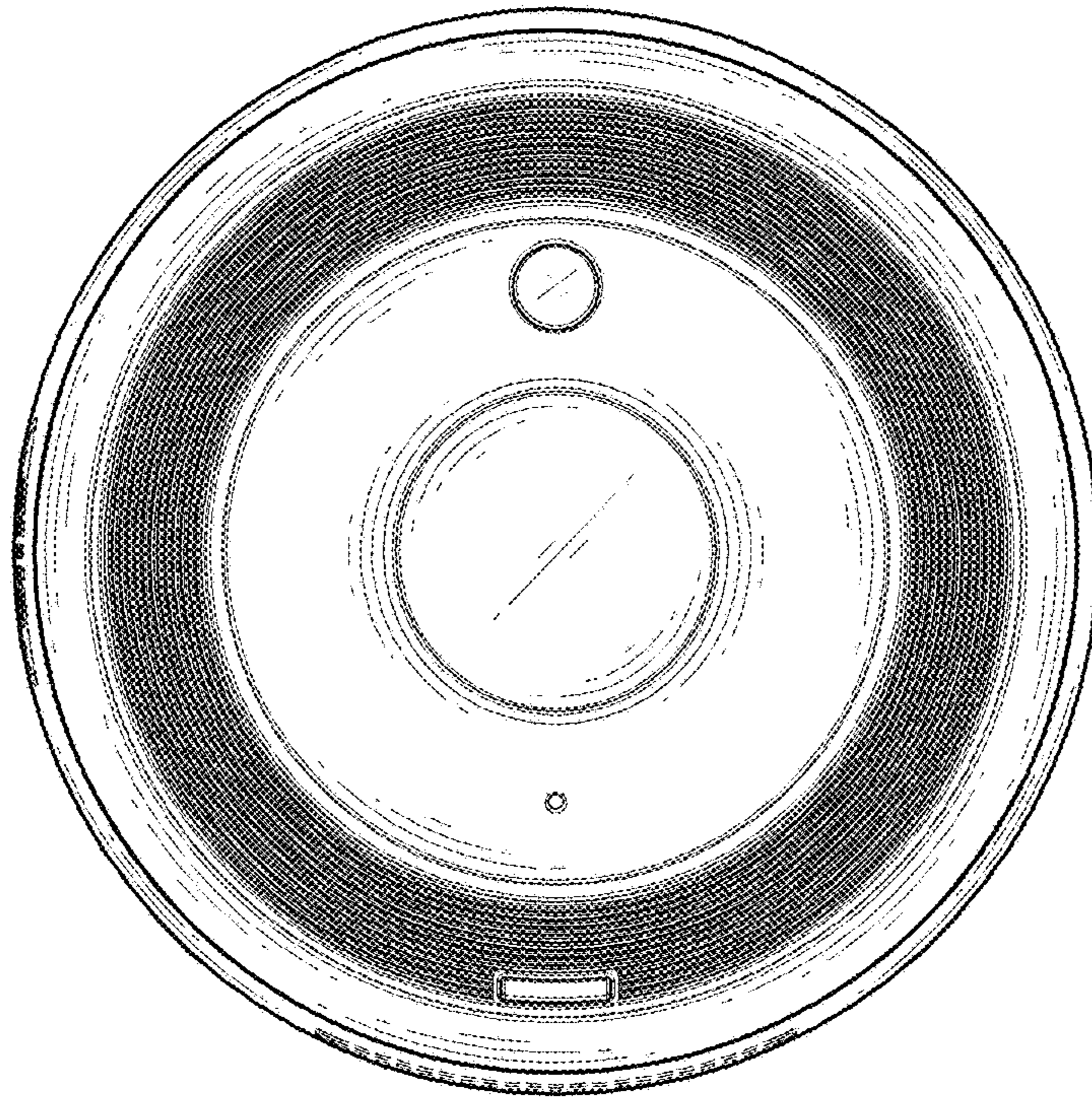


FIG. 3

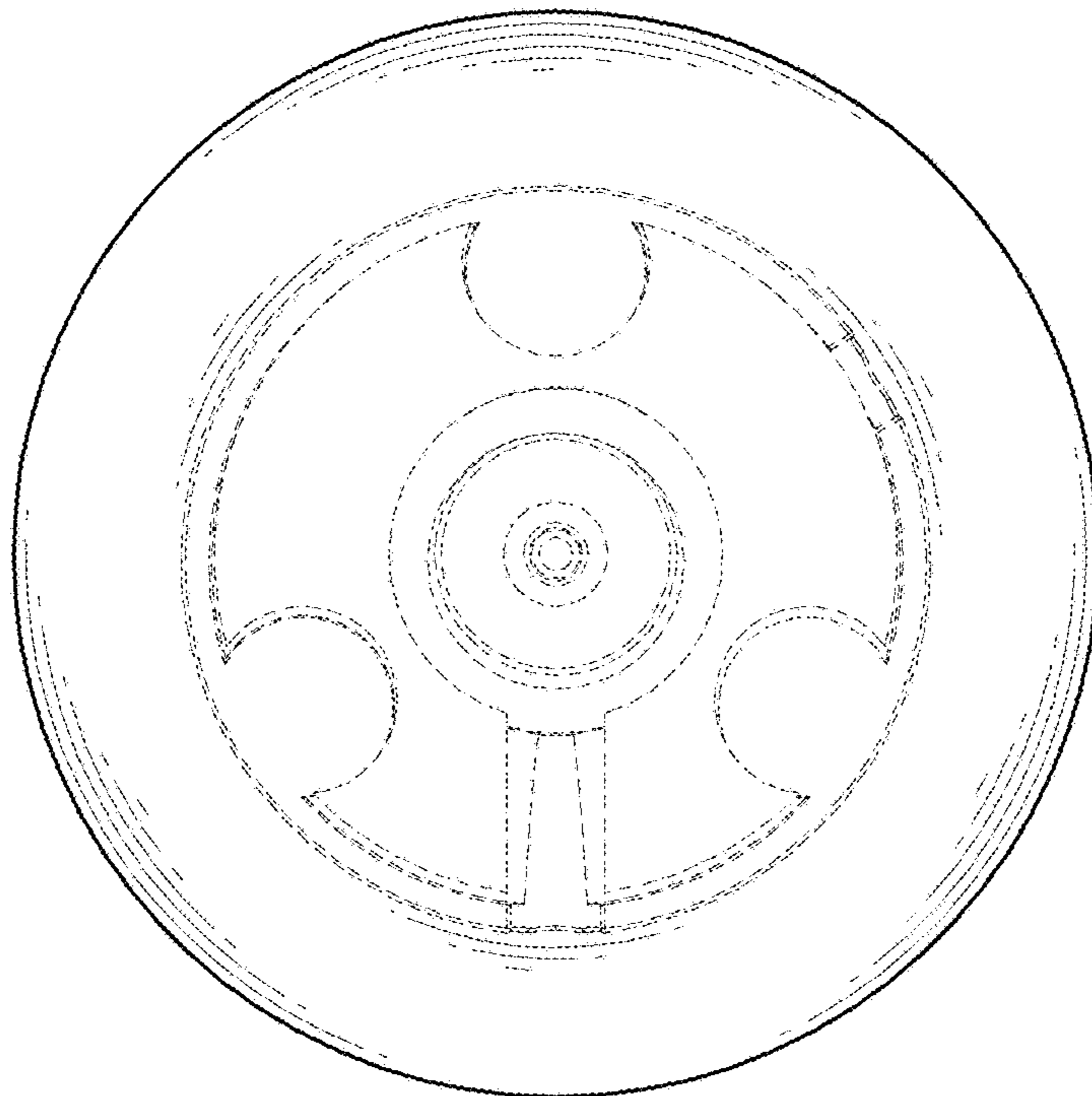


FIG. 4

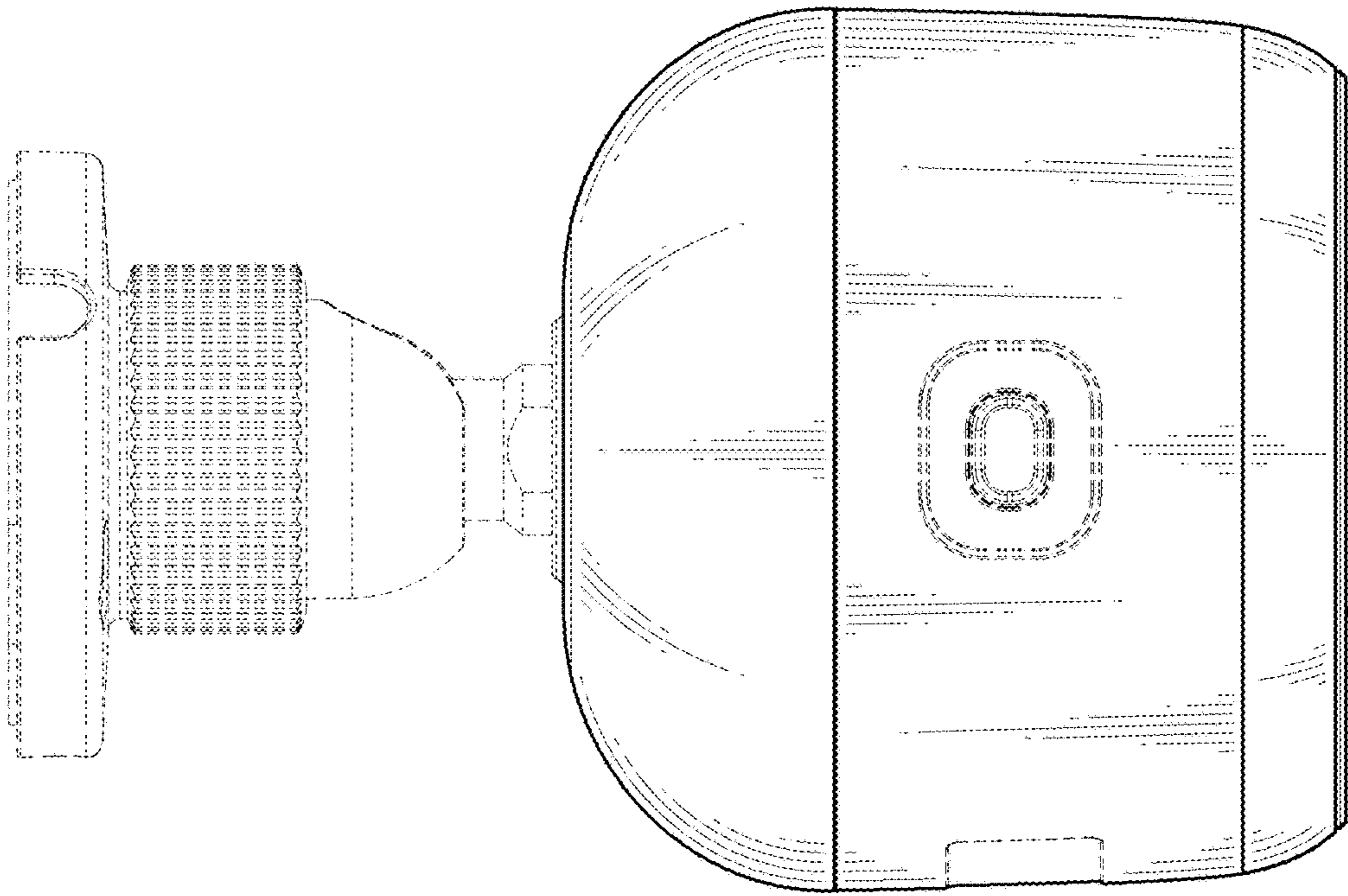


FIG. 5

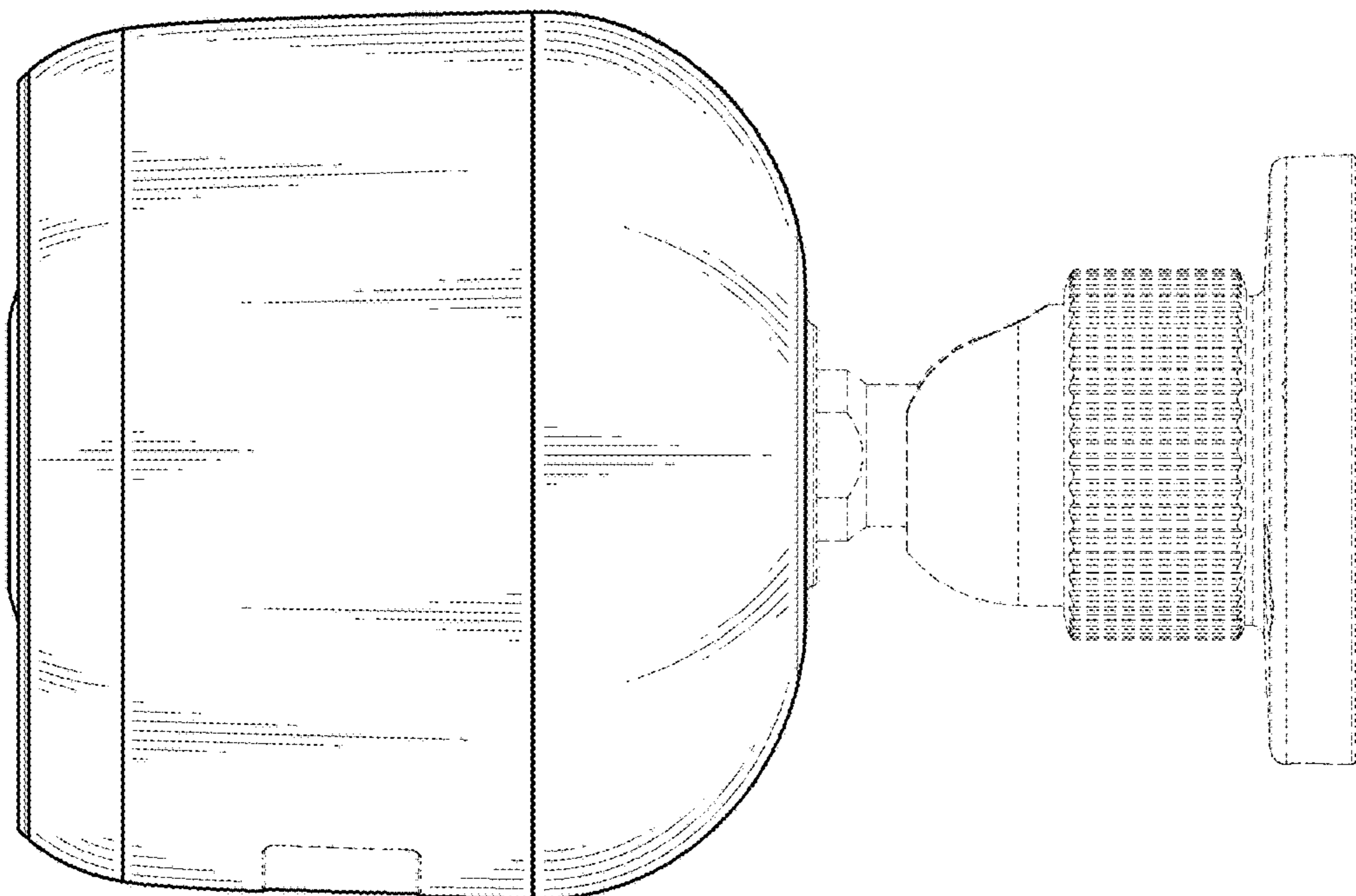


FIG. 6

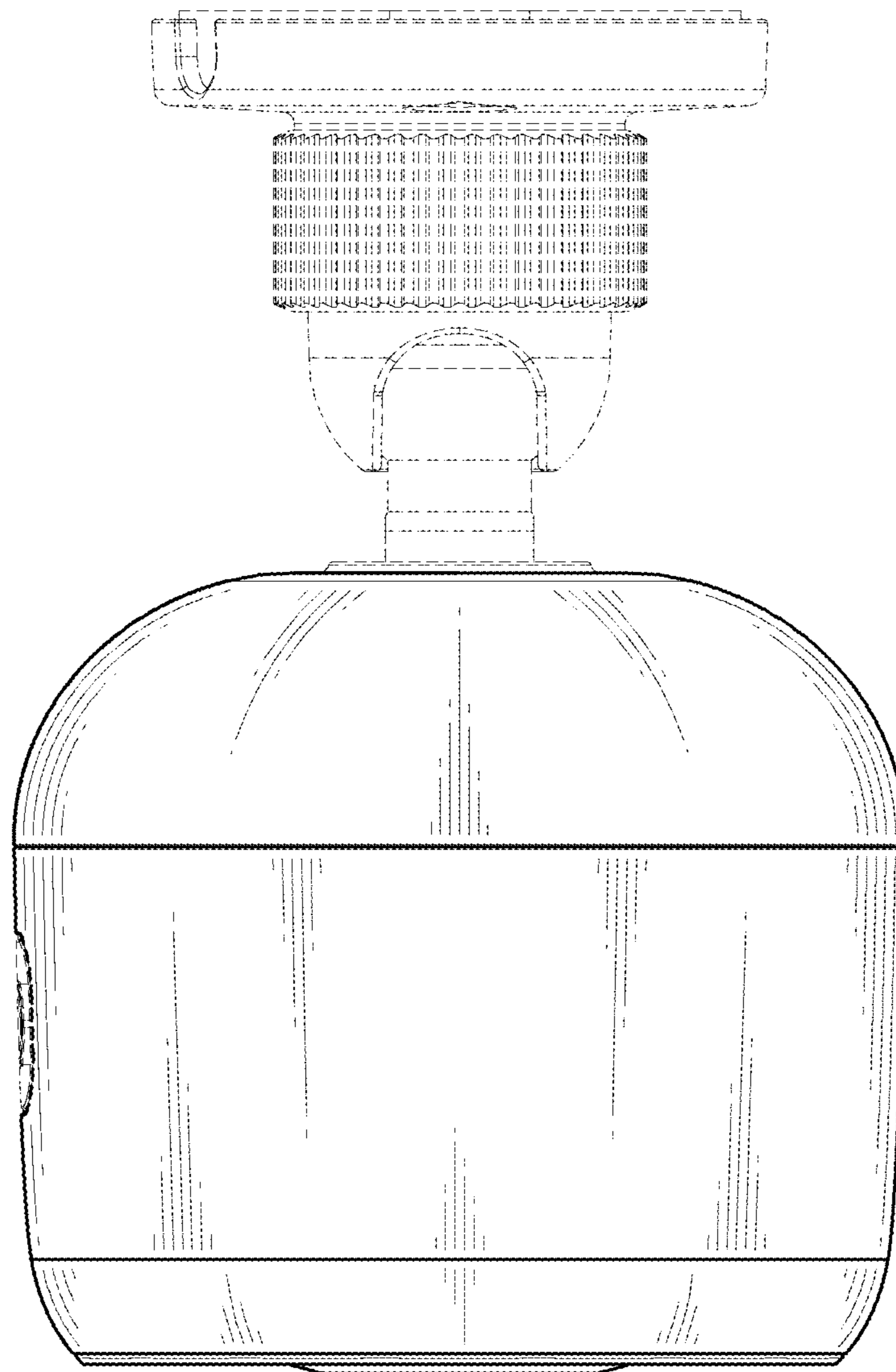


FIG. 7

