



US00D821476S

(12) **United States Design Patent**  
**Martin et al.**

(10) **Patent No.:** **US D821,476 S**  
(45) **Date of Patent:** **\*\* Jun. 26, 2018**

- (54) **PORTABLE VIDEO CAMERA**
- (71) Applicant: **OCLU LIMITED**, East Grinstead (GB)
- (72) Inventors: **Hugo Martin**, Oxfordshire (GB);  
**Robert William Moore**, Theale (GB);  
**Firas Kittaneh**, Tempe, AZ (US)
- (73) Assignee: **OCLU LIMITED**, East Grinstead (GB)
- (\*\*) Term: **15 Years**
- (21) Appl. No.: **29/610,925**
- (22) Filed: **Jul. 17, 2017**
- (51) **LOC (11) Cl.** ..... **16-01**
- (52) **U.S. Cl.**  
USPC ..... **D16/202; D16/204**
- (58) **Field of Classification Search**  
USPC ..... D3/267; D16/200, 202–204, 208, 211,  
D16/218, 219, 242; 248/176.1, 187.1;  
348/81, 373–376; 396/25, 27, 29, 419,  
396/535, 539–541; 206/316.2  
CPC ..... G03B 15/03; G03B 17/02; G03B 17/04;  
G03B 17/08; G03B 17/56; G03B 19/04;  
H04N 5/2251; H04N 5/2252; H04N  
5/2253; H04N 5/2254; A45C 11/38  
See application file for complete search history.

- D438,880 S \* 3/2001 Katayama ..... 396/27
- D621,432 S \* 8/2010 Yim ..... D16/204
- D635,119 S \* 3/2011 Van Hees ..... D14/158
- D647,554 S \* 10/2011 Yim ..... D16/204
- D657,808 S \* 4/2012 Woodman ..... D16/200
- D702,747 S \* 4/2014 Woodman ..... D16/200
- D710,921 S \* 8/2014 Gioscia ..... D16/200
- D772,322 S \* 11/2016 Zhang ..... D16/200
- D808,163 S \* 1/2018 Song ..... D3/269

\* cited by examiner

*Primary Examiner* — Philip S Hyder  
*Assistant Examiner* — Ramzi Almatrahi  
(74) *Attorney, Agent, or Firm* — Weiss & Moy, P.C.;  
Jeffrey D. Moy

(56) **References Cited**  
U.S. PATENT DOCUMENTS

- D334,397 S \* 3/1993 Kohno ..... 396/27
- D419,296 S \* 1/2000 Shinano ..... D16/204

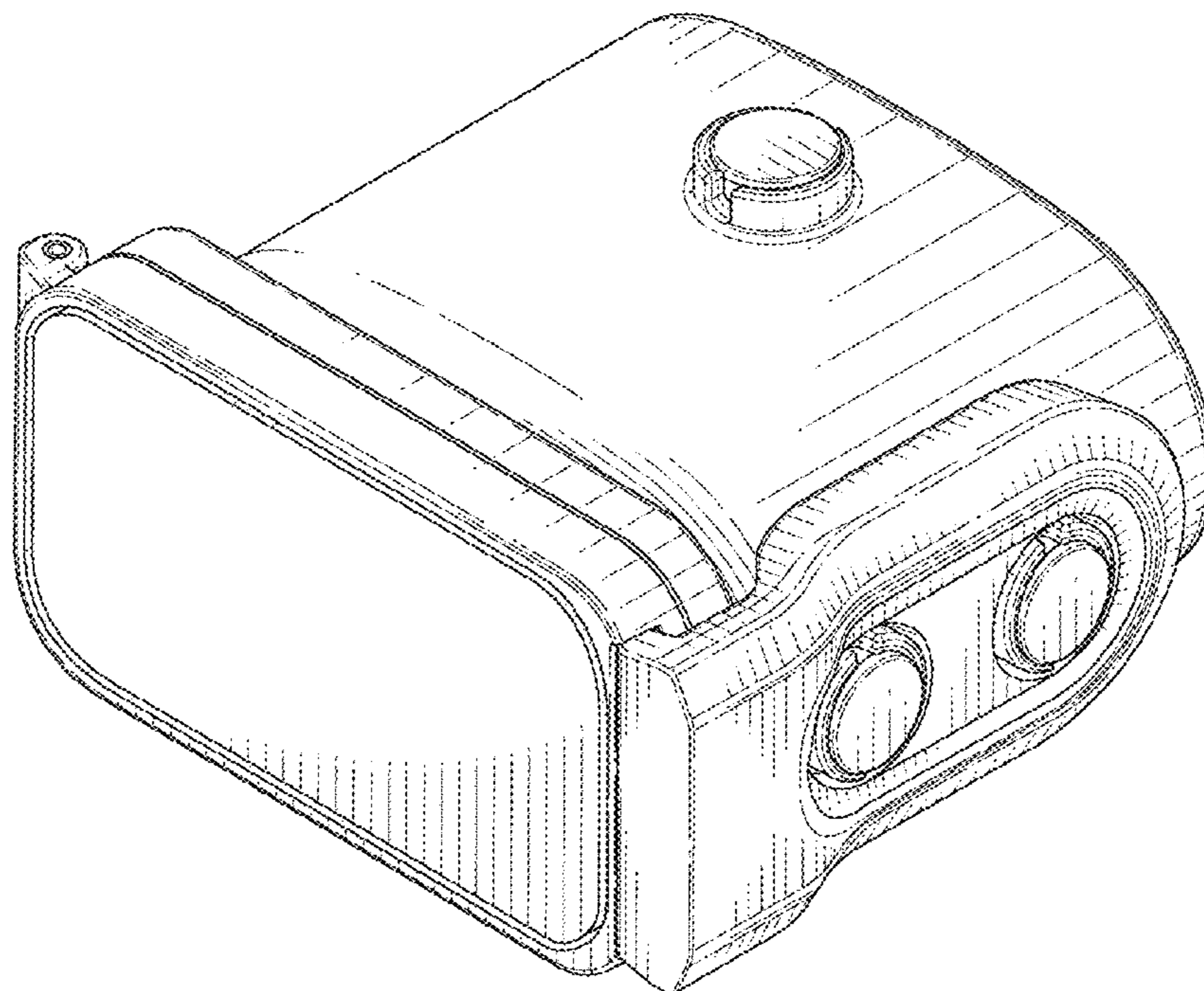
(57) **CLAIM**

The ornamental design for a portable video camera, as shown and described.

**DESCRIPTION**

FIG. 1 is a front, right, top perspective view of a portable video camera showing our new design;  
FIG. 2 is front view of the portable video camera;  
FIG. 3 is a rear view of the portable video camera;  
FIG. 4 is a left side view of the portable video camera;  
FIG. 5 is a right side view of the portable video camera;  
FIG. 6 is top view of the portable video camera; and,  
FIG. 7 is a bottom view of the portable video camera.

**1 Claim, 5 Drawing Sheets**



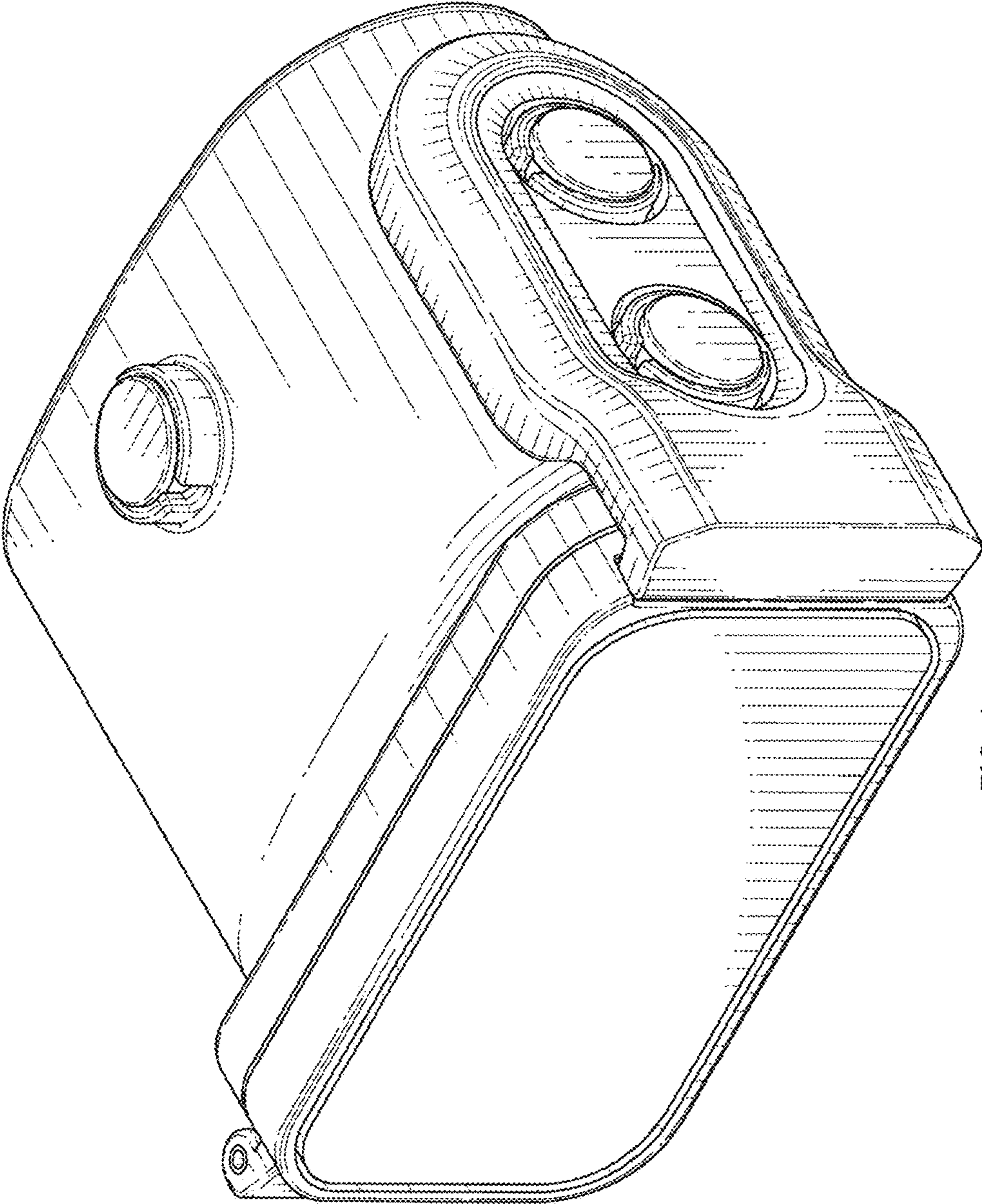


FIG. 1

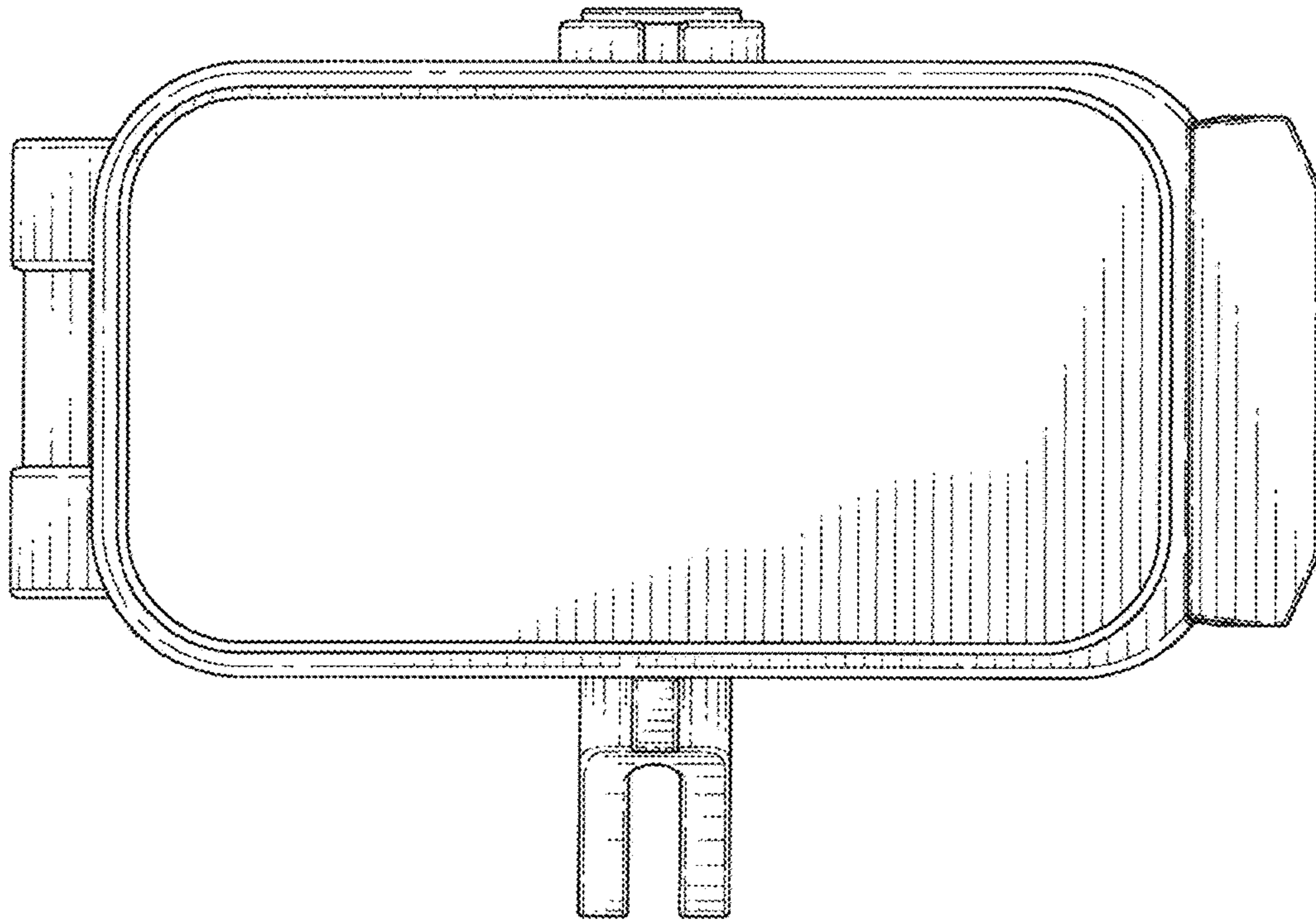


FIG. 2

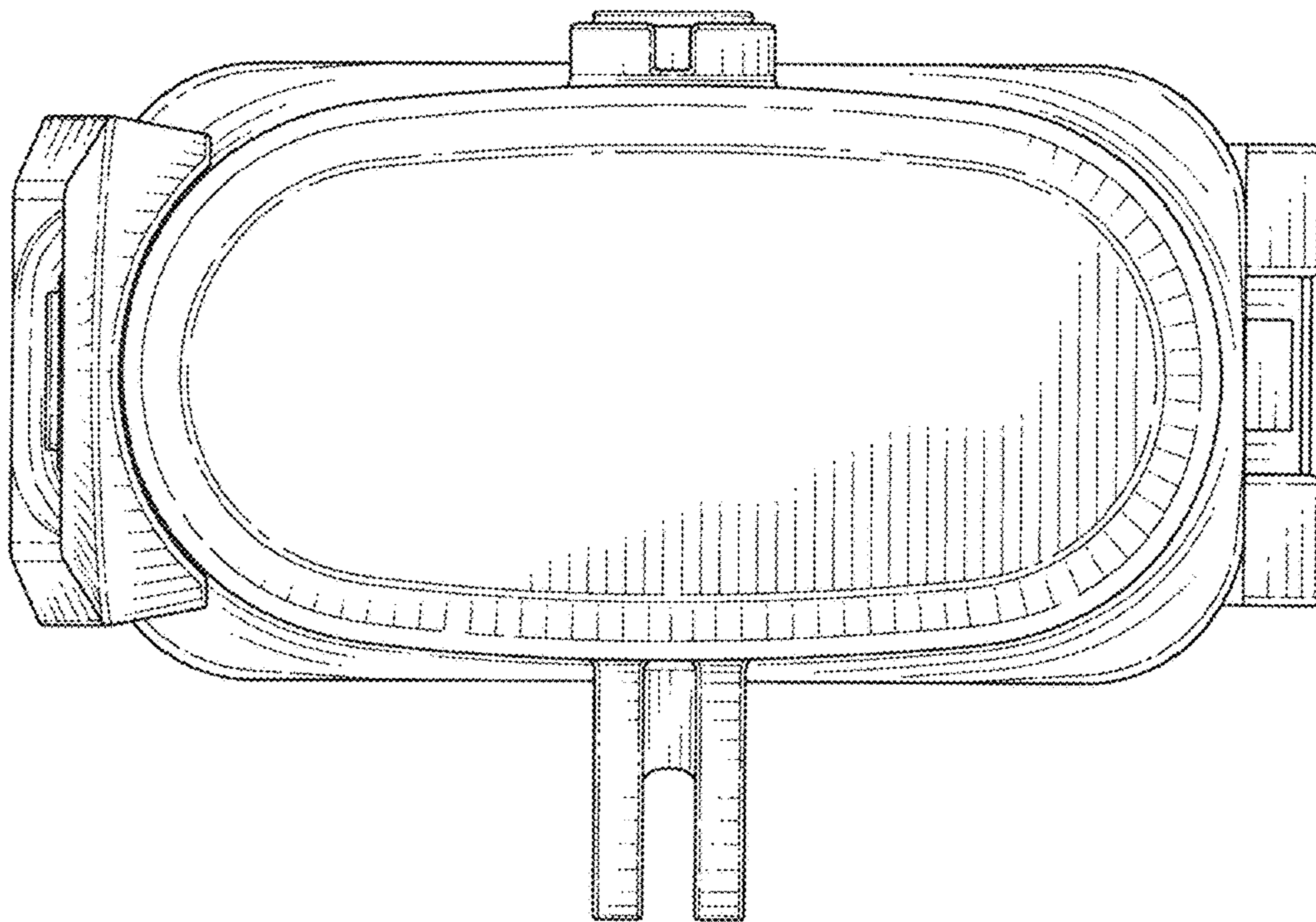


FIG. 3

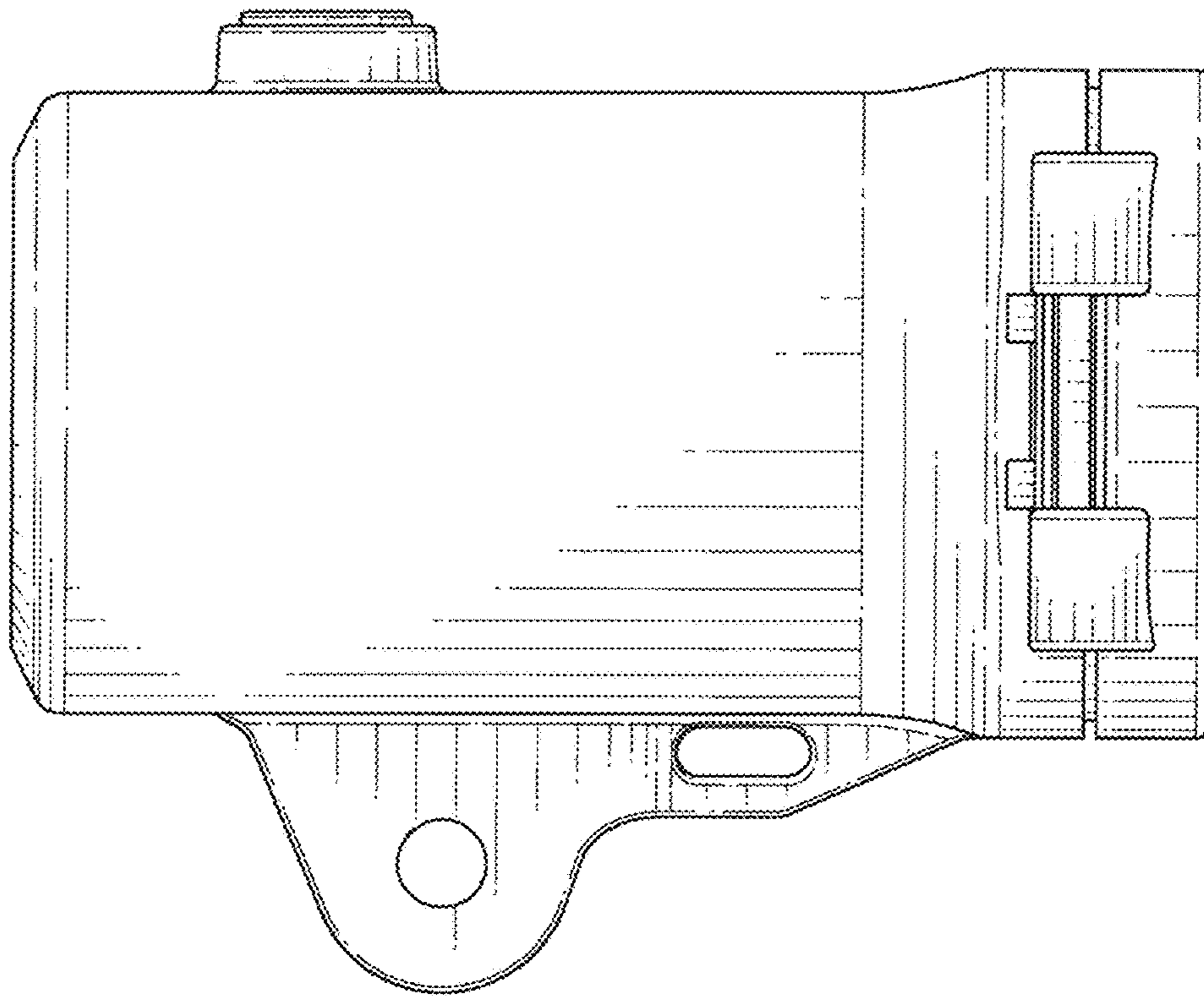


FIG. 4

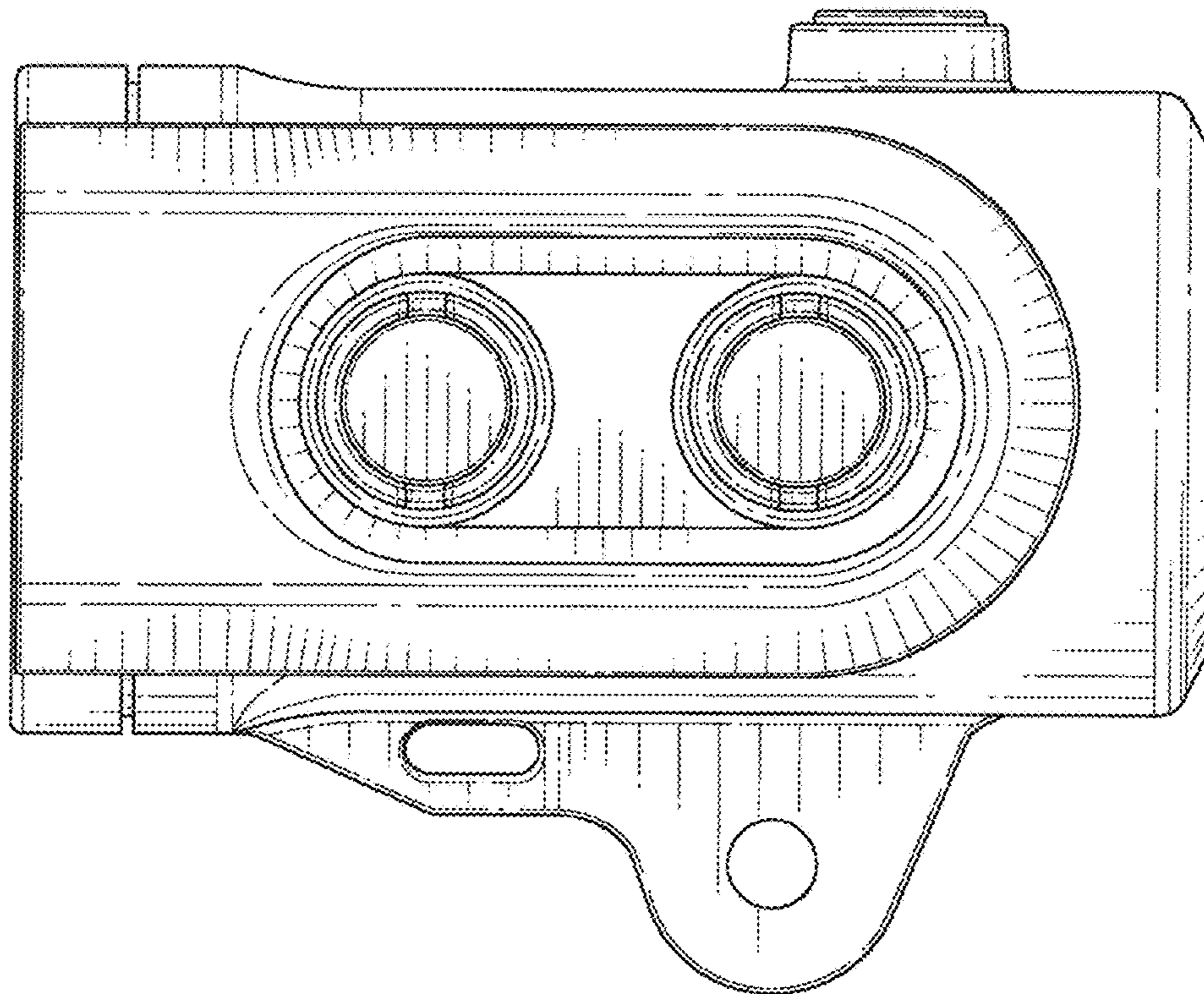


FIG. 5

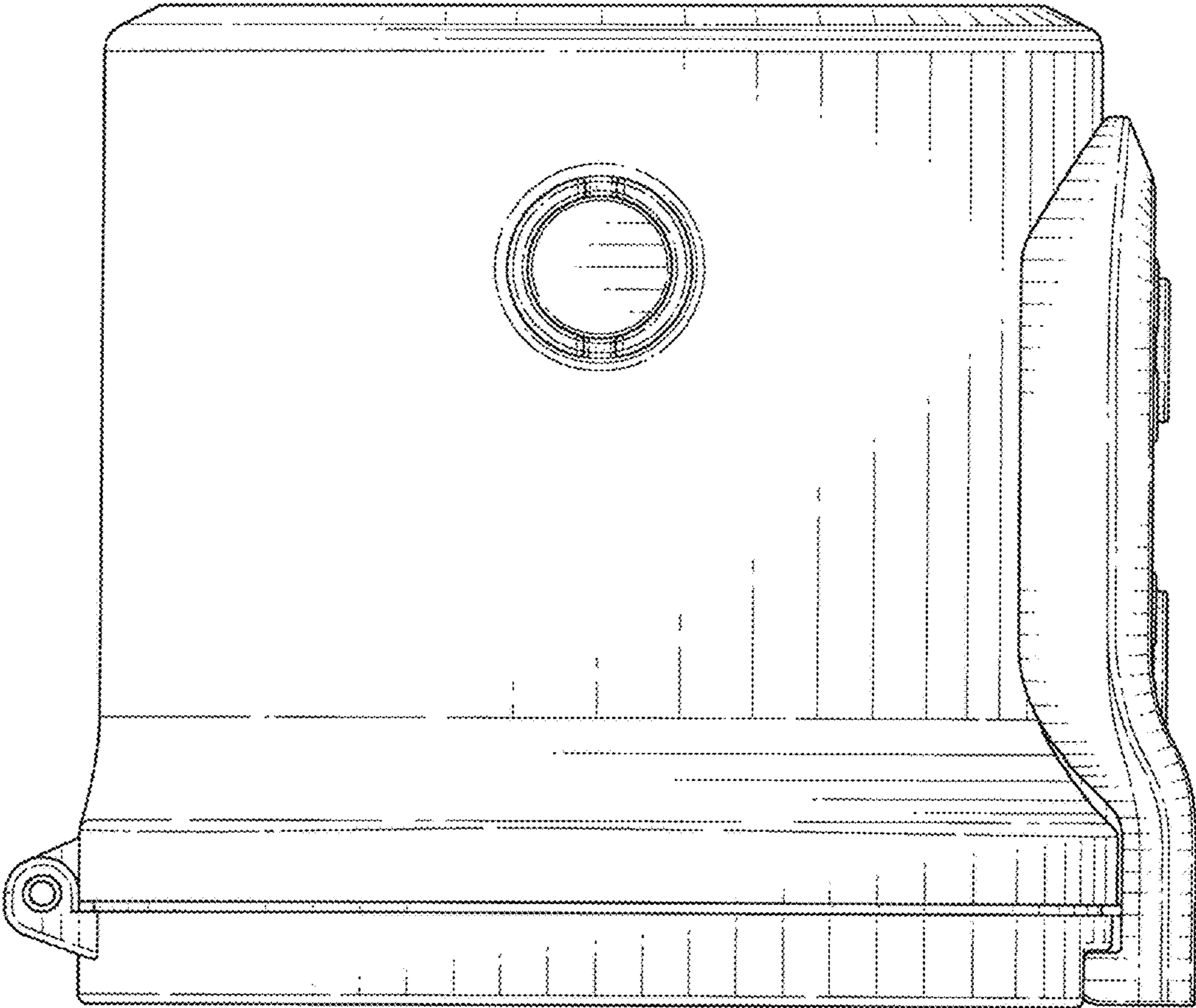


FIG. 6

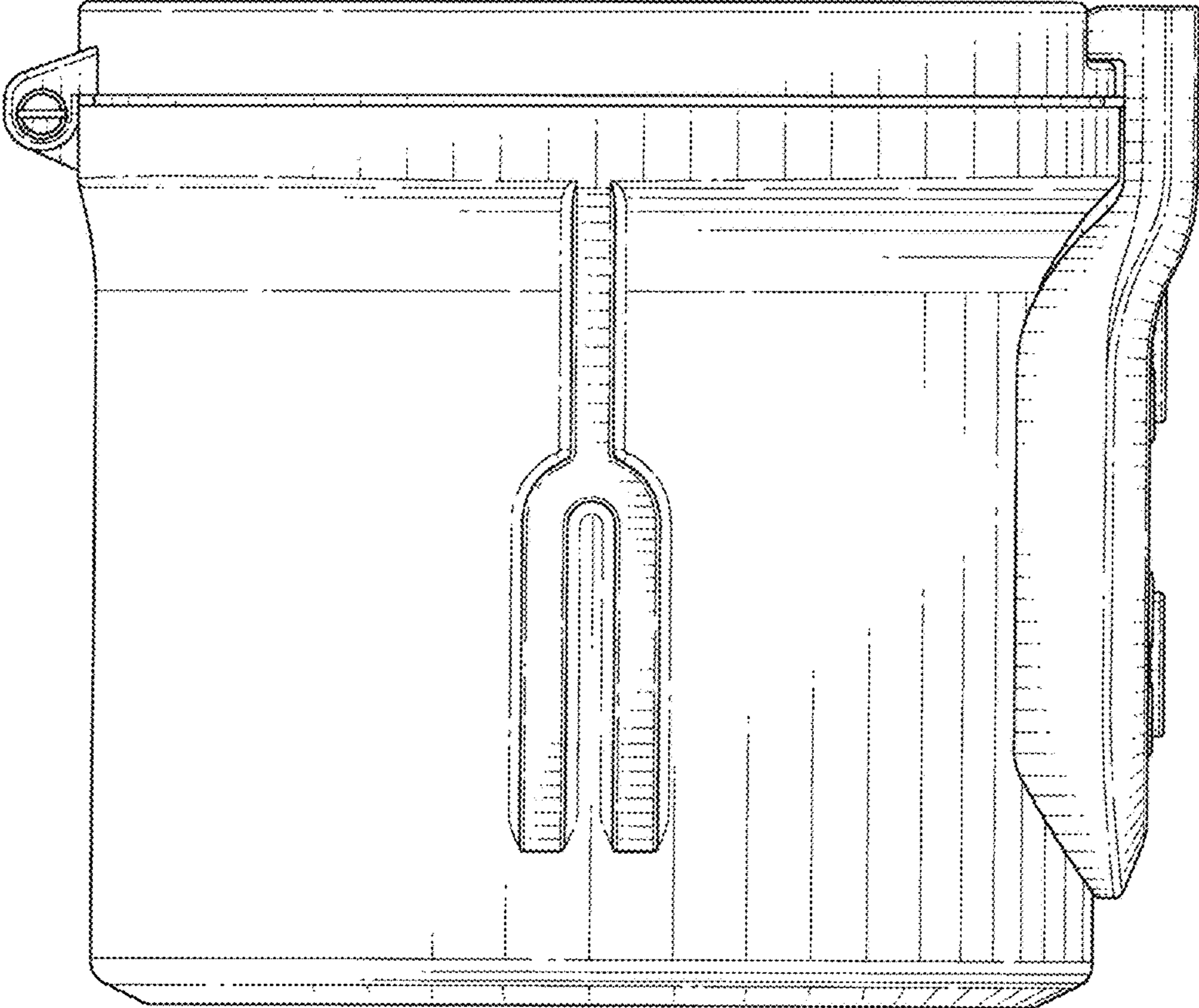


FIG. 7