



US00D821475S

(12) **United States Design Patent**
Ikegame

(10) **Patent No.:** **US D821,475 S**
(45) **Date of Patent:** **** Jun. 26, 2018**

- (54) **DIGITAL CAMERA**
- (71) Applicant: **FUJIFILM Corporation**, Minato-Ku, Tokyo (JP)
- (72) Inventor: **Haruka Ikegame**, Saitama (JP)
- (73) Assignee: **FUJIFILM Corporation**, Minato-Ku, Tokyo (JP)
- (**) Term: **15 Years**
- (21) Appl. No.: **29/566,861**
- (22) Filed: **Jun. 3, 2016**

- D737,355 S * 8/2015 Tainaka D16/202
- D742,952 S * 11/2015 Nakajima D16/202
- D745,908 S * 12/2015 Ham D16/202
- 2004/0264952 A1 * 12/2004 Oeda H04N 5/23245
396/287
- 2006/0192879 A1 * 8/2006 Hisamatsu H04N 5/23245
348/333.01
- 2007/0086778 A1 * 4/2007 Tanaka H04N 5/232
396/529
- 2008/0295031 A1 * 11/2008 Miyazaki G11B 27/322
715/835
- 2009/0067826 A1 * 3/2009 Shinohara G03B 17/18
396/50
- 2010/0026643 A1 * 2/2010 Ozawa G06F 3/04883
345/173
- 2010/0149370 A1 * 6/2010 Kim H04N 5/23245
348/222.1

(Continued)

- (30) **Foreign Application Priority Data**
- Dec. 4, 2015 (JP) 2015-027269

Primary Examiner — Susan E Krakower
Assistant Examiner — L. A. Grabenstetter
(74) *Attorney, Agent, or Firm* — Sughrue Mion, PLLC

- (51) **LOC (11) Cl.** **16-01**
- (52) **U.S. Cl.**
USPC **D16/200**
- (58) **Field of Classification Search**
USPC D16/200–220, 242, 244, 245
CPC H04N 5/77; H04N 5/23245; B60R 11/04;
B60R 2011/0003; B60R 2011/0033;
G07C 5/0891
See application file for complete search history.

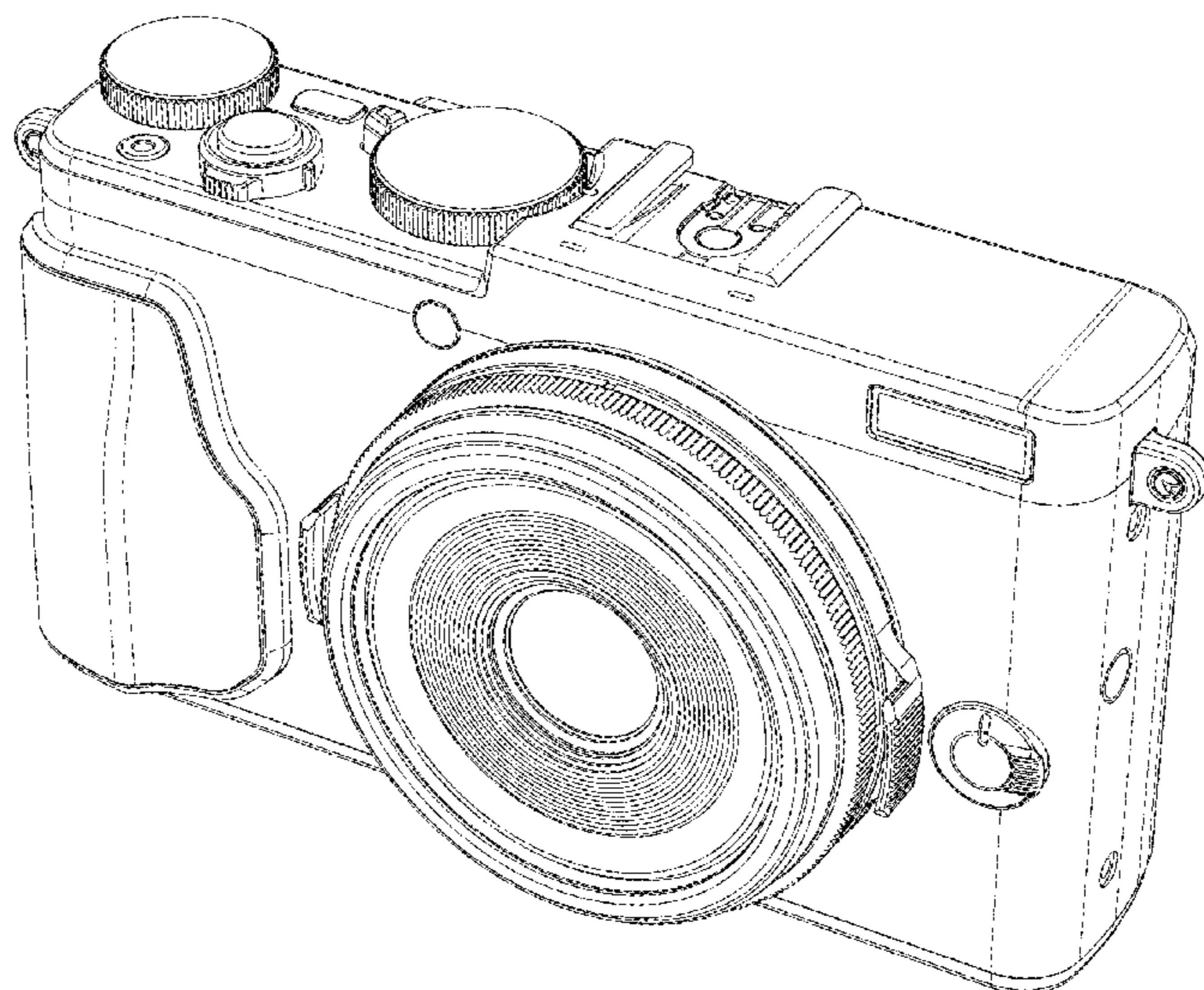
(57) **CLAIM**
The ornamental design for a digital camera, as shown and described.

DESCRIPTION

FIG. 1 is a front perspective view of a digital camera, showing the new design;
FIG. 2 is a perspective view of the embodiment, viewed from the rear side thereof;
FIG. 3 is a front view thereof.
FIG. 4 is a rear view thereof.
FIG. 5 is a right side view thereof.
FIG. 6 is a left side view thereof.
FIG. 7 is a top view thereof; and,
FIG. 8 is a bottom view thereof.
The broken lines depict unclaimed portions of the digital camera.

- (56) **References Cited**
- U.S. PATENT DOCUMENTS
- D490,834 S * 6/2004 Dow D16/202
- 7,441,967 B2 * 10/2008 Suzuki G03B 17/14
348/E5.028
- D681,710 S * 5/2013 Sato D16/200
- D693,395 S * 11/2013 Sato D16/219
- D698,839 S * 2/2014 Sato D16/200
- D706,329 S * 6/2014 Sakai D16/202
- D712,953 S * 9/2014 Nohara D16/200
- D719,993 S * 12/2014 Soejima D16/202
- D729,297 S * 5/2015 Ikegame D16/202

1 Claim, 8 Drawing Sheets



(56)

References Cited

U.S. PATENT DOCUMENTS

2010/0214439 A1* 8/2010 Oshima G03B 7/08
348/229.1
2012/0314125 A1* 12/2012 Takahashi H04N 5/23245
348/373
2014/0028872 A1* 1/2014 Lee H04N 5/2353
348/229.1
2015/0015677 A1* 1/2015 Izawa H04N 5/23229
348/49

* cited by examiner

FIG.1

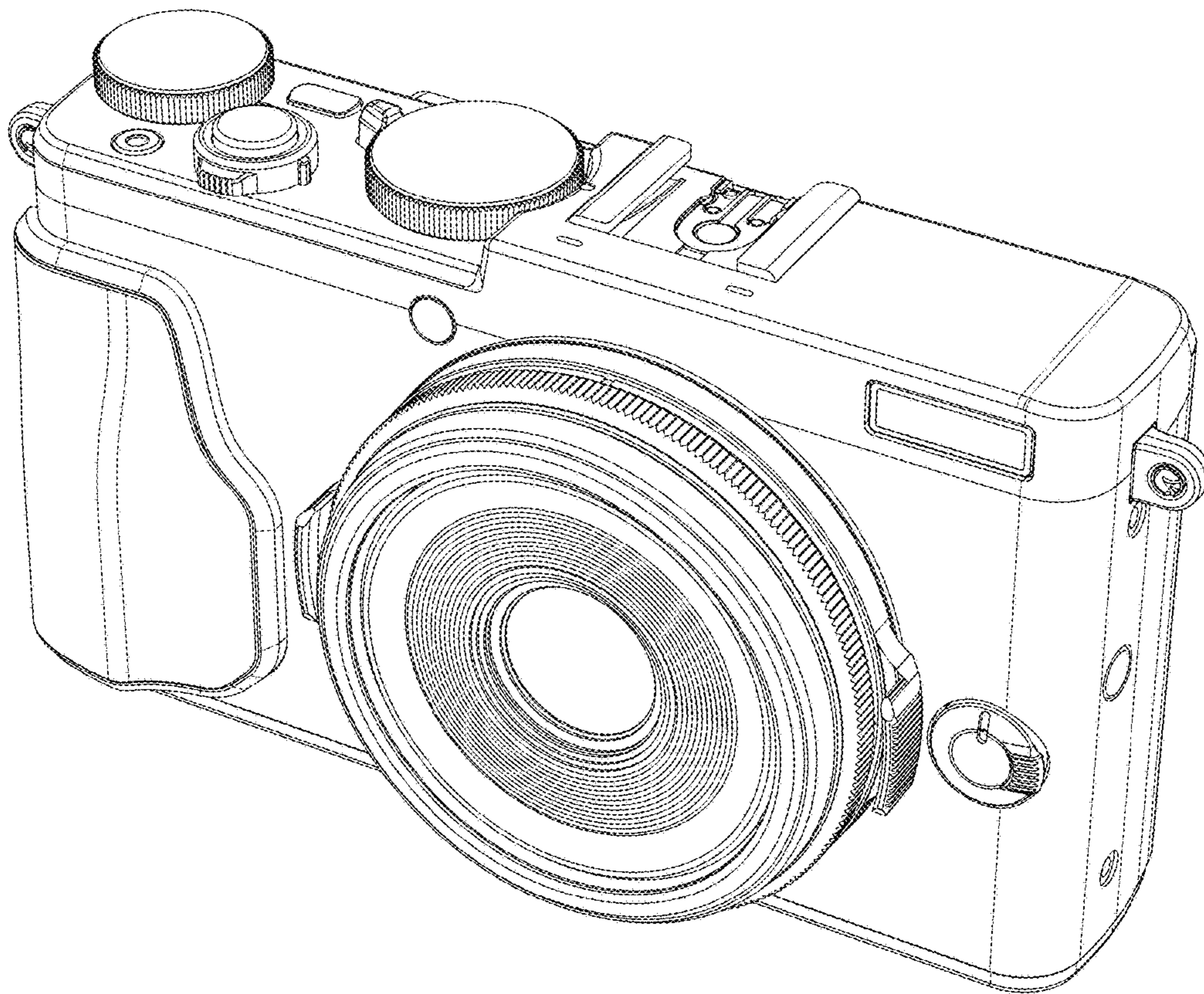


FIG.2

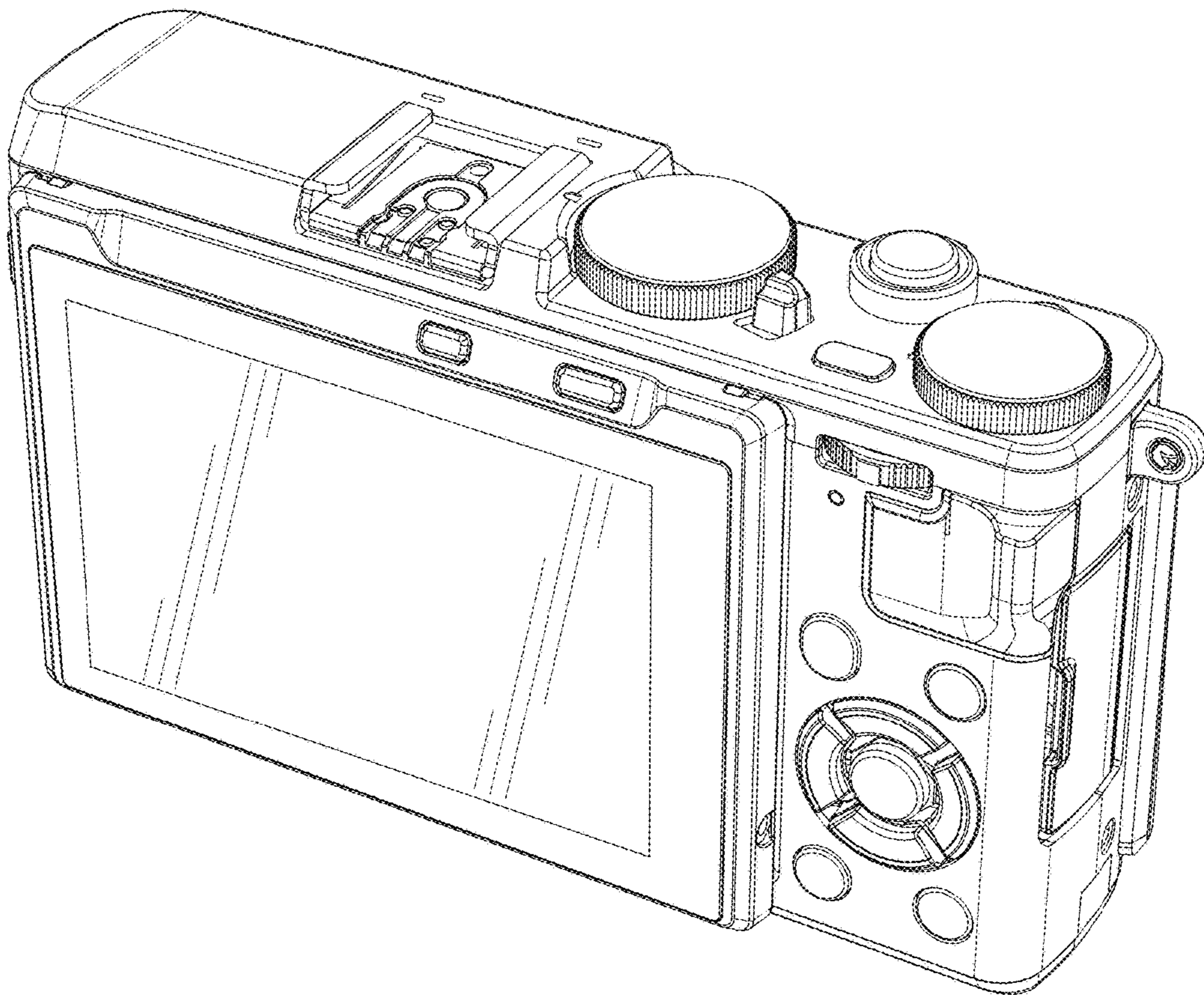


FIG.3

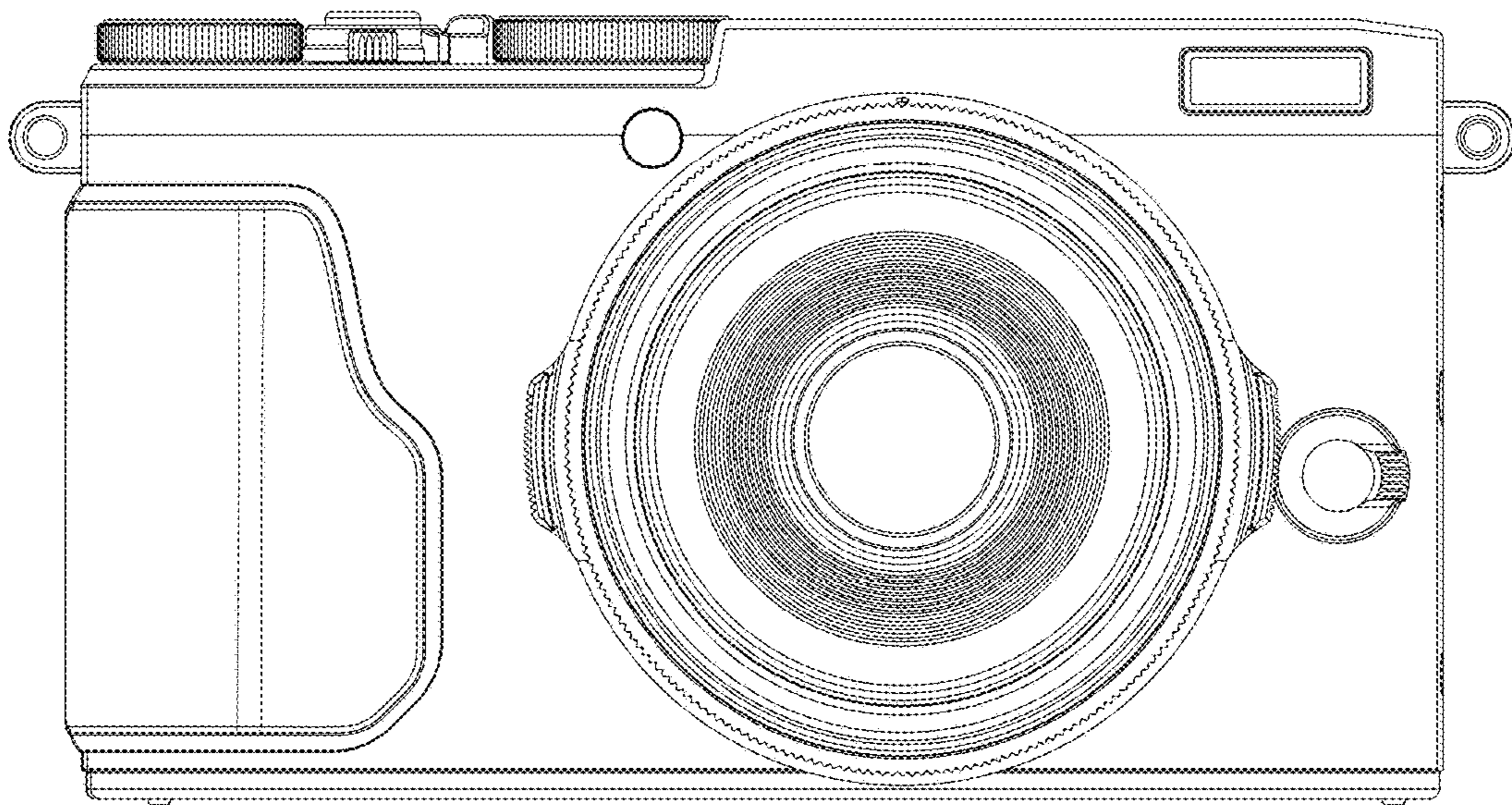


FIG.4

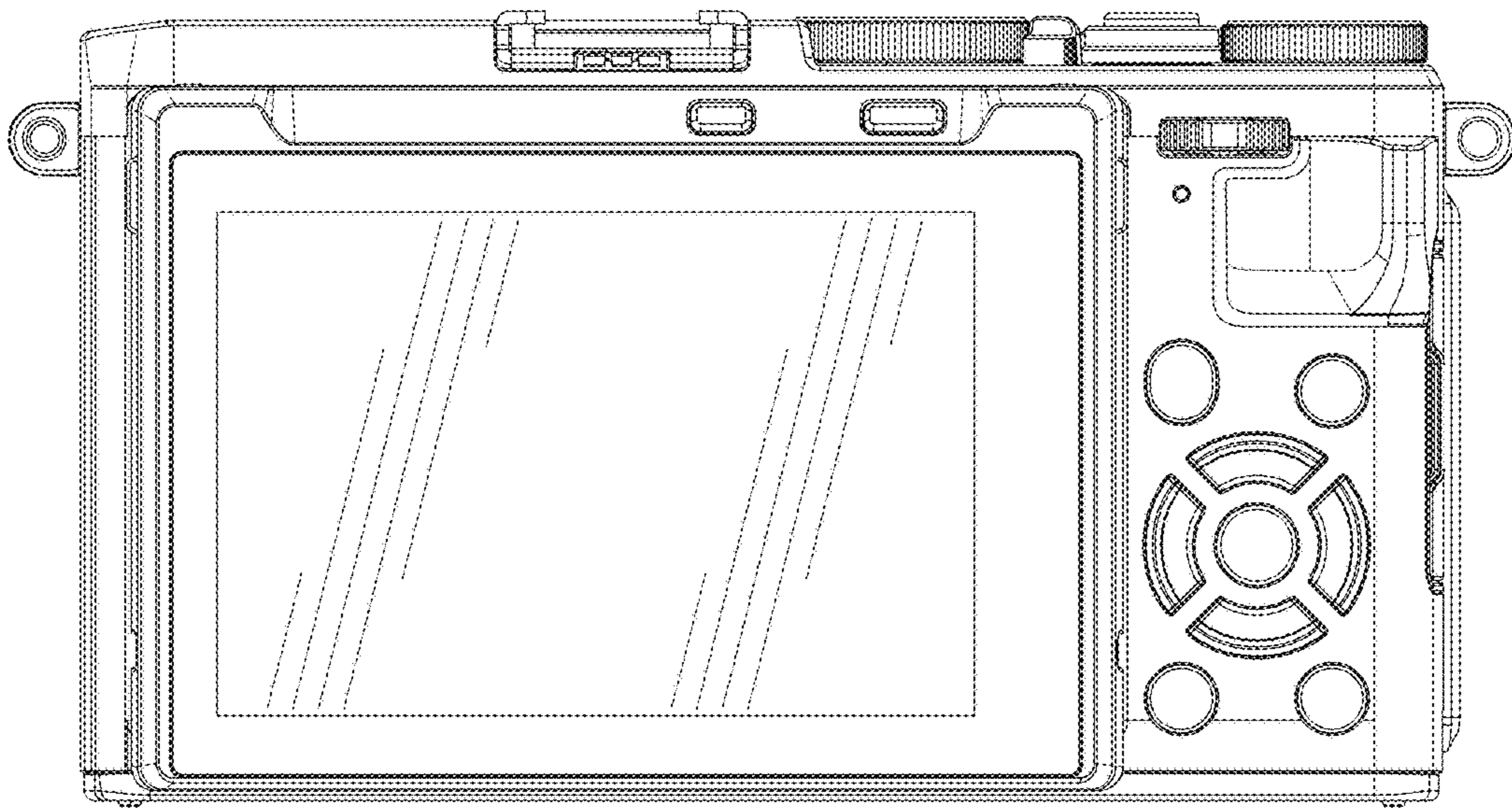


FIG.5

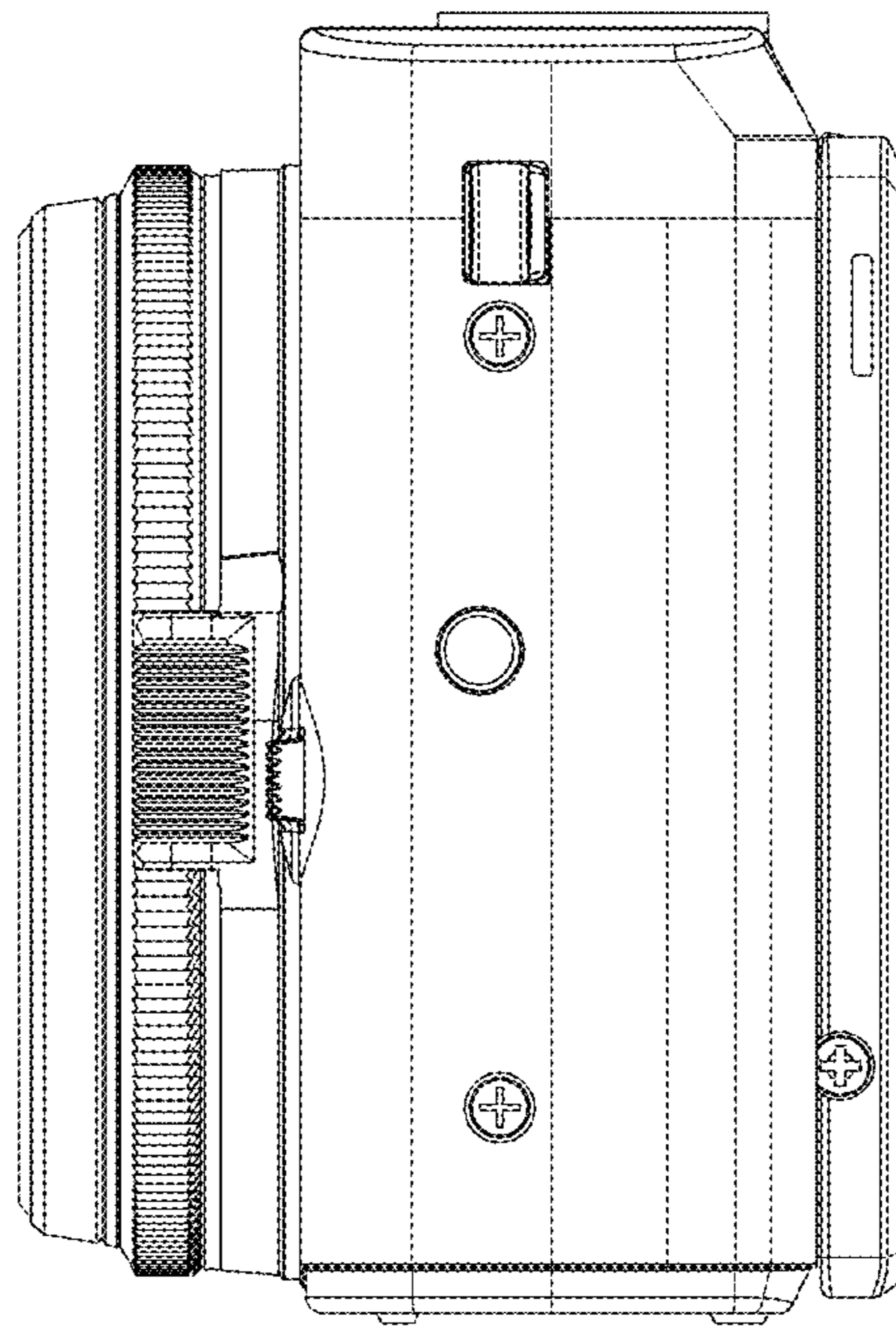


FIG.6

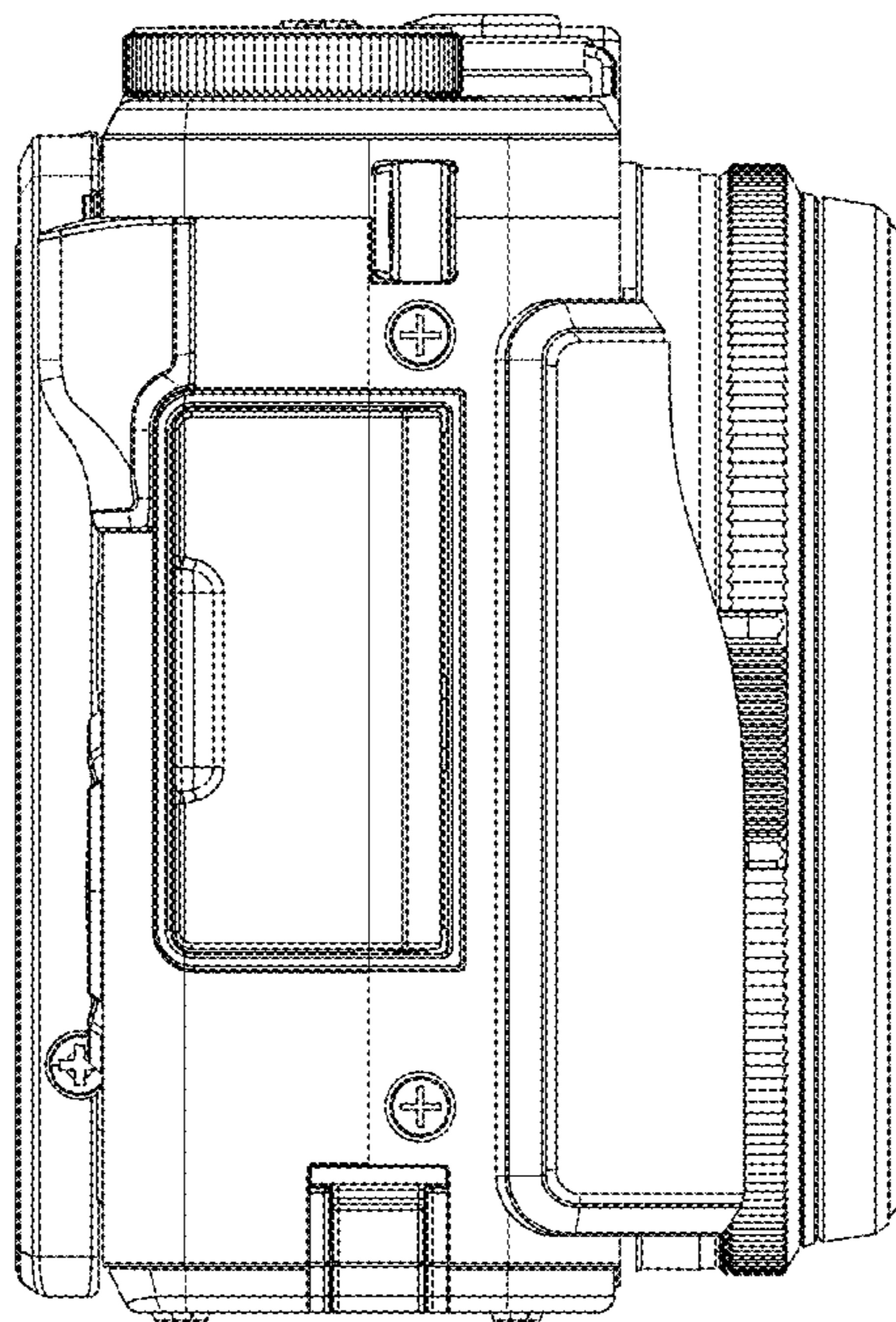


FIG. 7

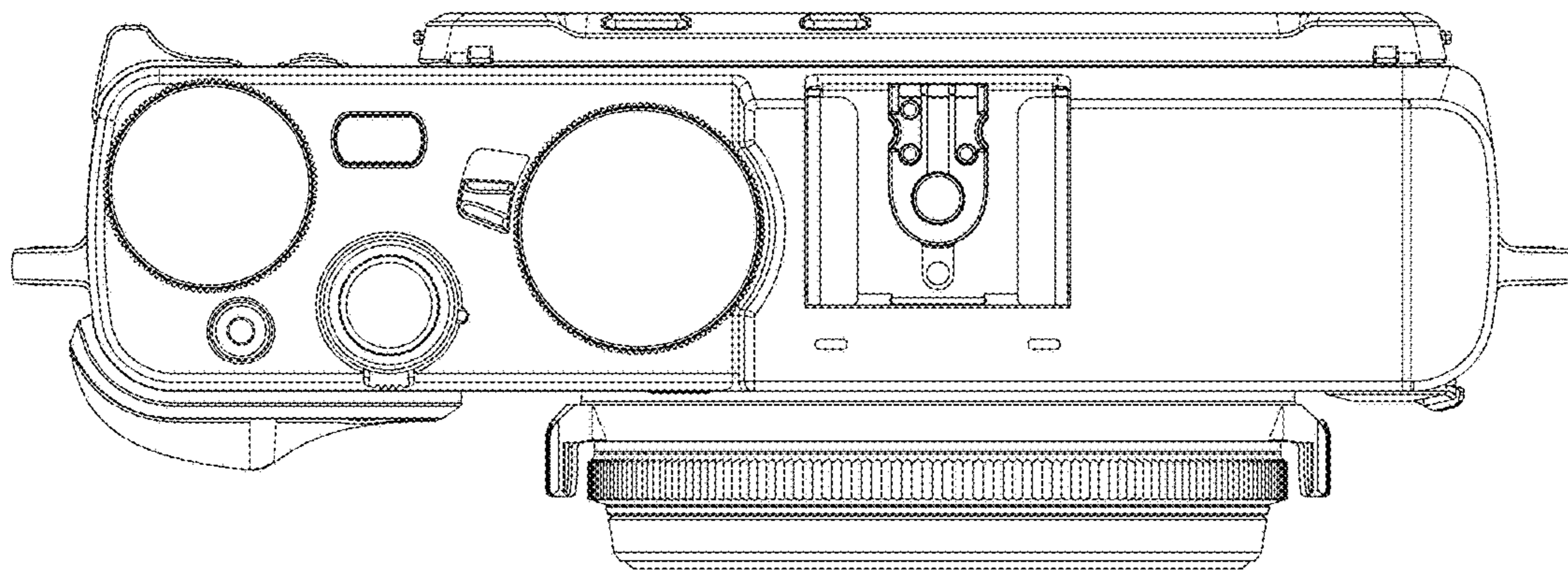


FIG.8

