



US00D821474S

(12) **United States Design Patent**
Arshad

(10) **Patent No.:** **US D821,474 S**
(45) **Date of Patent:** **** Jun. 26, 2018**

(54) **BINOCULAR**

- (71) Applicant: **Muhammad Izhar Arshad**, Burbank, CA (US)
- (72) Inventor: **Muhammad Izhar Arshad**, Burbank, CA (US)
- (**) Term: **15 Years**
- (21) Appl. No.: **29/592,075**
- (22) Filed: **Jan. 26, 2017**
- (51) **LOC (11) Cl.** **16-06**
- (52) **U.S. Cl.**
USPC **D16/133**
- (58) **Field of Classification Search**
USPC D16/130–136
CPC G02B 2027/0123; G02B 2027/0132; G02B 2027/0134; G02B 2027/26; G02B 7/06; G02B 7/12; G02B 23/001
See application file for complete search history.

(56) **References Cited**

U.S. PATENT DOCUMENTS

D265,207 S *	6/1982	Rosenfield	D16/133
D313,029 S *	12/1990	Lee	D16/133
5,028,123 A *	7/1991	Watanabe	G02B 7/06 359/414
D391,975 S *	3/1998	Meinzer	D16/133
5,938,155 A *	8/1999	Garland	F16M 11/041 248/177.1
D473,884 S *	4/2003	Hayamizu	D16/133
D474,789 S *	5/2003	Matsushita	D16/133
D478,340 S *	8/2003	Hayamizu	D16/133
D479,256 S *	9/2003	Matsushita	D16/133
D590,858 S	4/2009	Steiner		
D590,859 S *	4/2009	Steiner	D16/133
D602,059 S *	10/2009	Inaba	D16/133
D700,643 S *	3/2014	Yokoi	D16/133
D780,243 S *	2/2017	Marsiglia	D16/133
D783,073 S *	4/2017	Radau	D16/133

OTHER PUBLICATIONS

Humvee 10x50 Field Binocular—Black . Online, published date Aug. 15, 2014. Retrieved on Dec. 7, 2017 from URL: <https://www.amazon.com/Humvee-10x50-Field-Binocular-Black/dp/B000FVZG2G>.*

* cited by examiner

Primary Examiner — Garth Rademaker
Assistant Examiner — Omeed Agilee
(74) *Attorney, Agent, or Firm* — Dunlap Bennett & Ludwig PLLC; Brendan E. Squire

(57) **CLAIM**

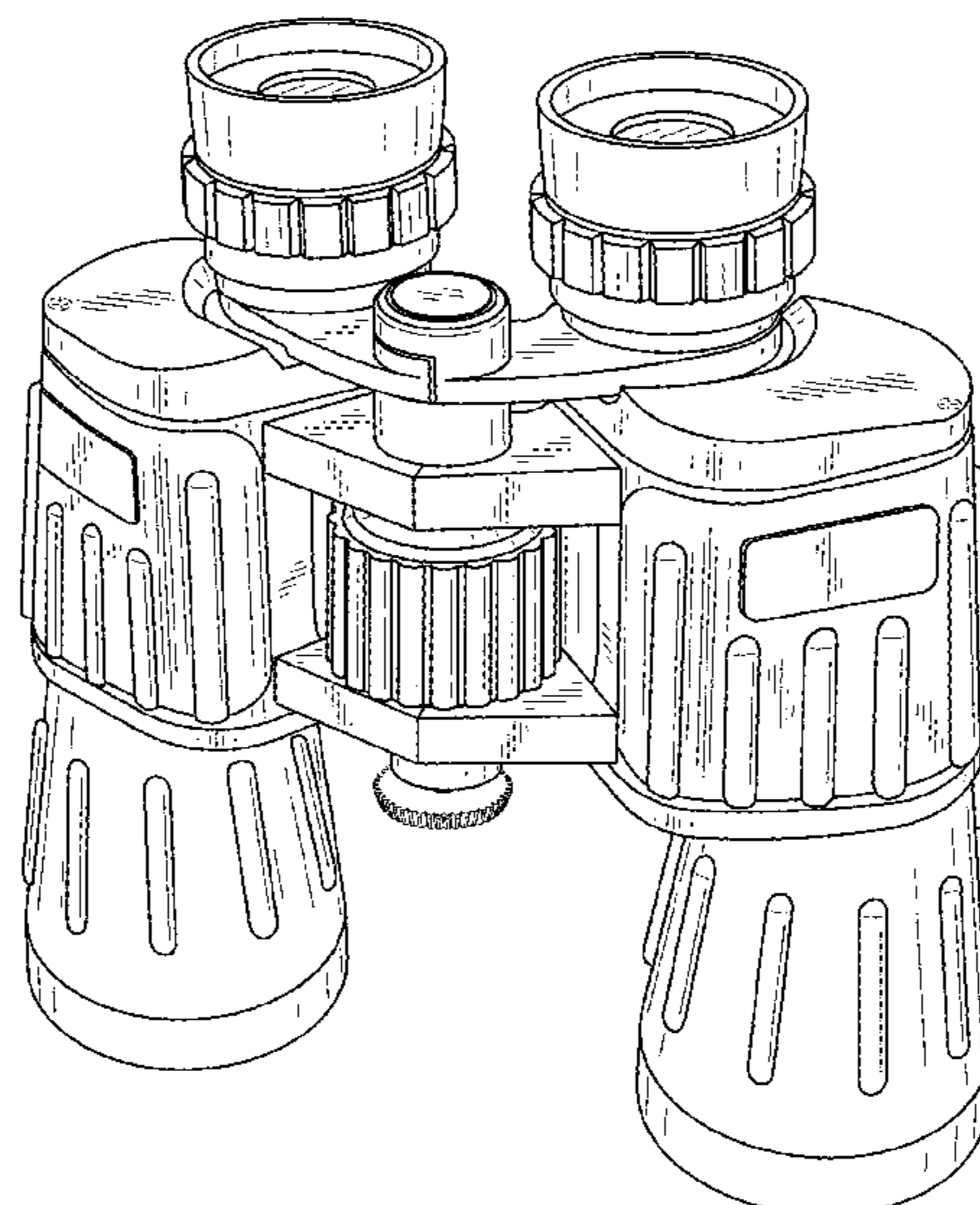
The ornamental design for a binocular, as shown and described.

DESCRIPTION

FIG. 1 is a front perspective view of a binocular showing my new design;
 FIG. 2 is a front elevation view thereof;
 FIG. 3 is a rear elevation view thereof;
 FIG. 4 is a left side elevation view thereof, the right side elevation view being a mirror image thereof;
 FIG. 5 is a top plan view thereof;
 FIG. 6 is a bottom plan view thereof; and,
 FIG. 7 is a perspective view showing the binocular with affixed lens caps.

The broken lines in FIG. 3 of the drawings illustrate portions of the binocular that form no part of the claimed design.
 The dot-dash-dot lines in FIG. 6 of the drawings illustrate boundaries of the claim and form no part of the claimed design.
 The broken lines in FIG. 7 of the drawings illustrate environmental subject matter that forms no part of the claimed design.

1 Claim, 6 Drawing Sheets



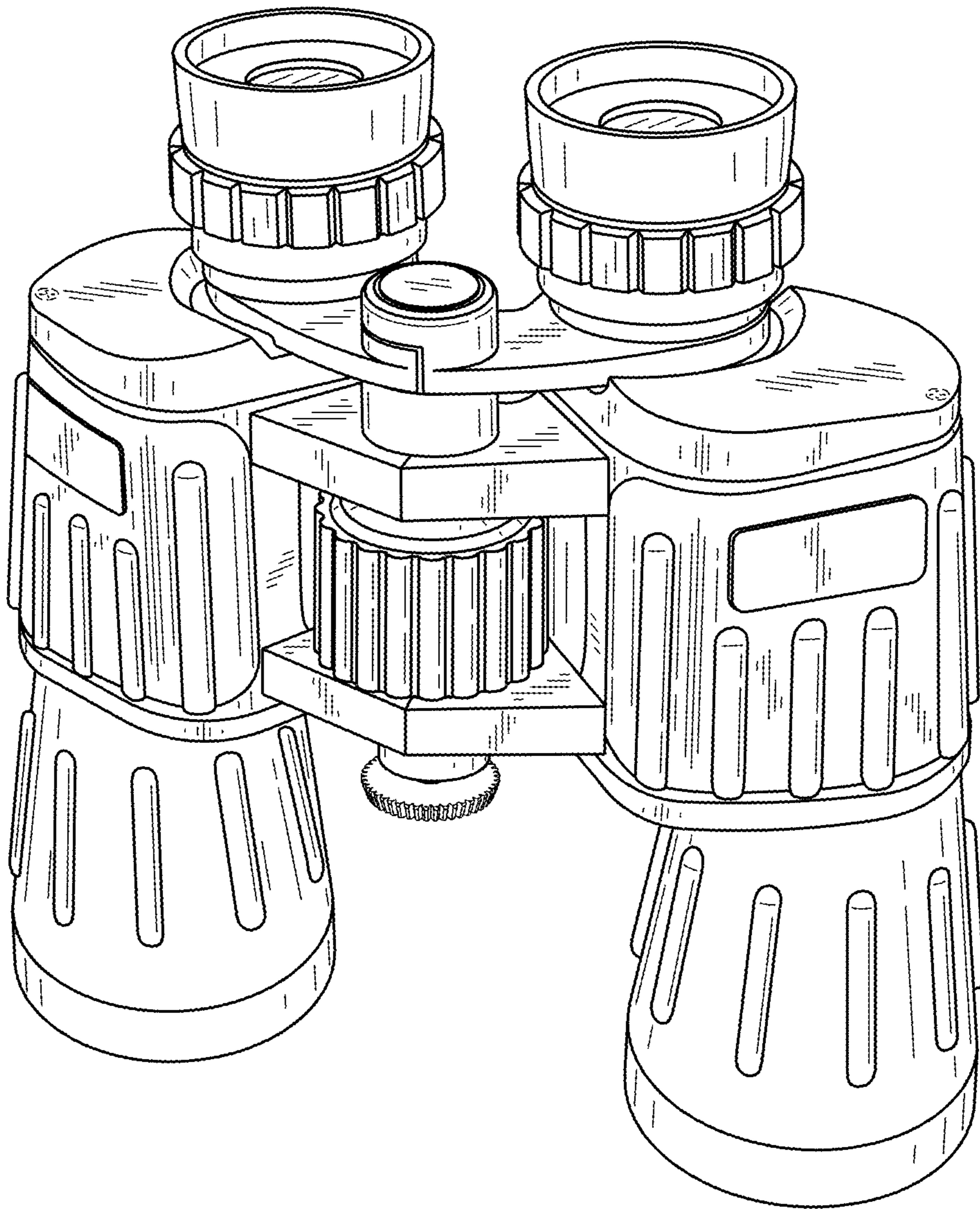


FIG. 1

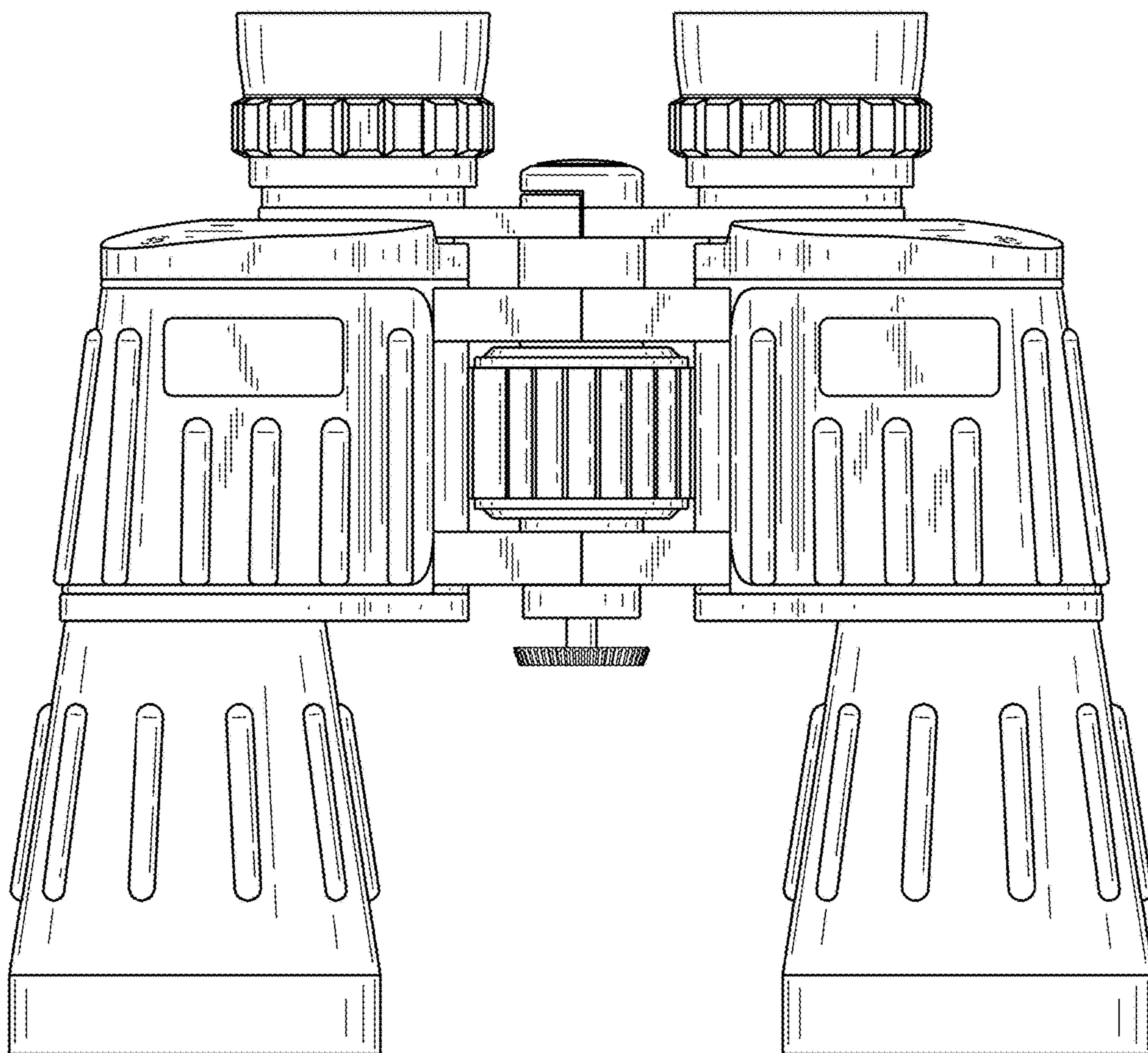


FIG. 2

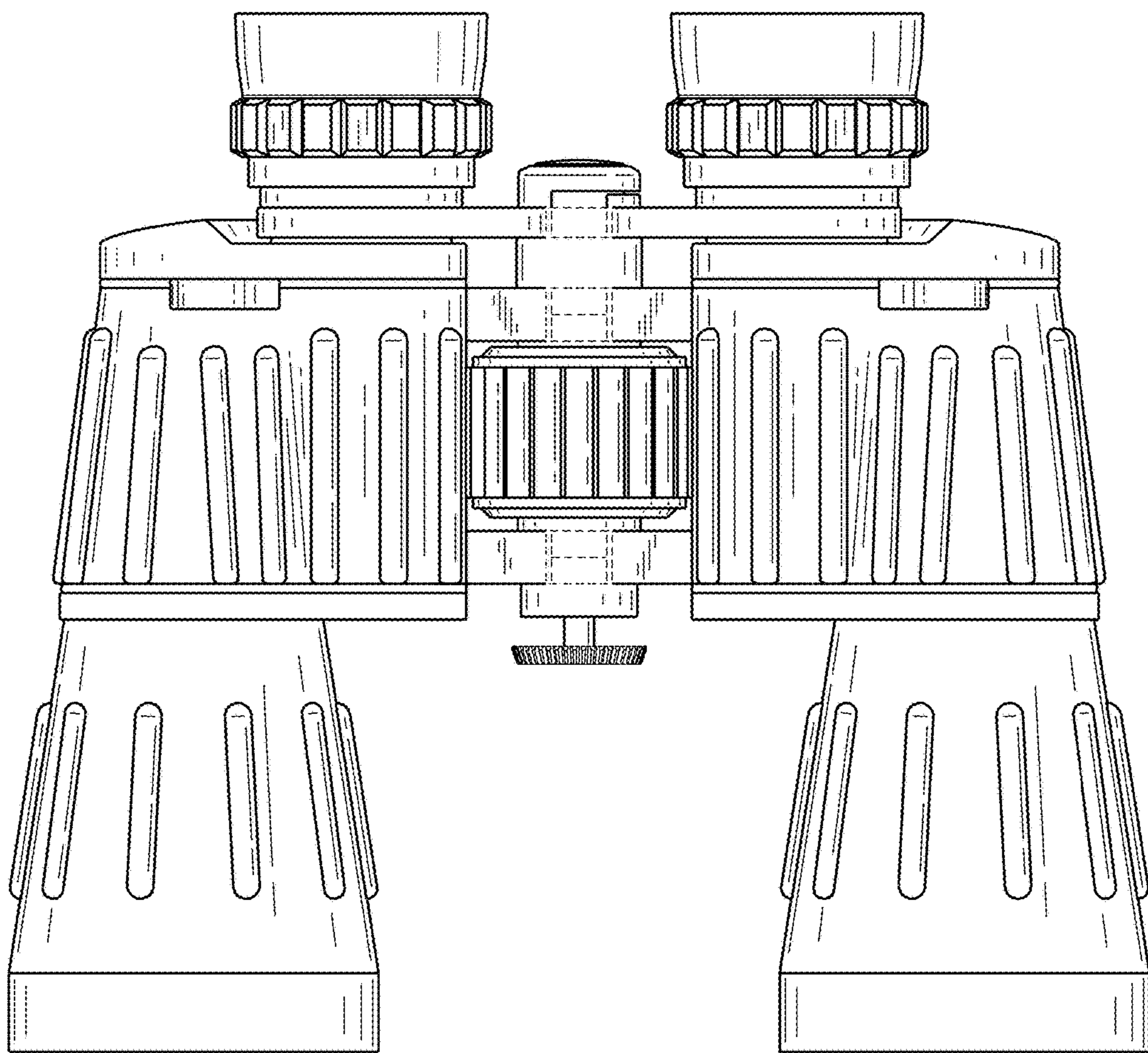


FIG. 3

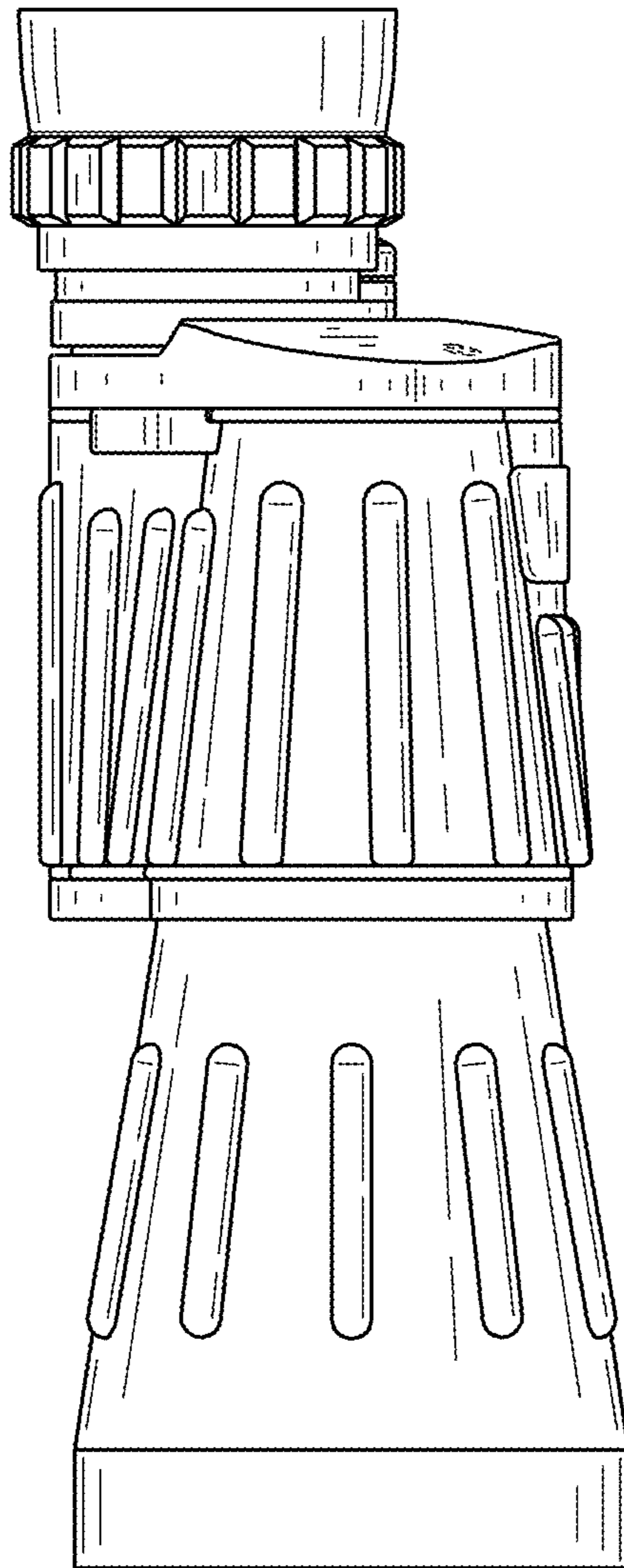


FIG. 4

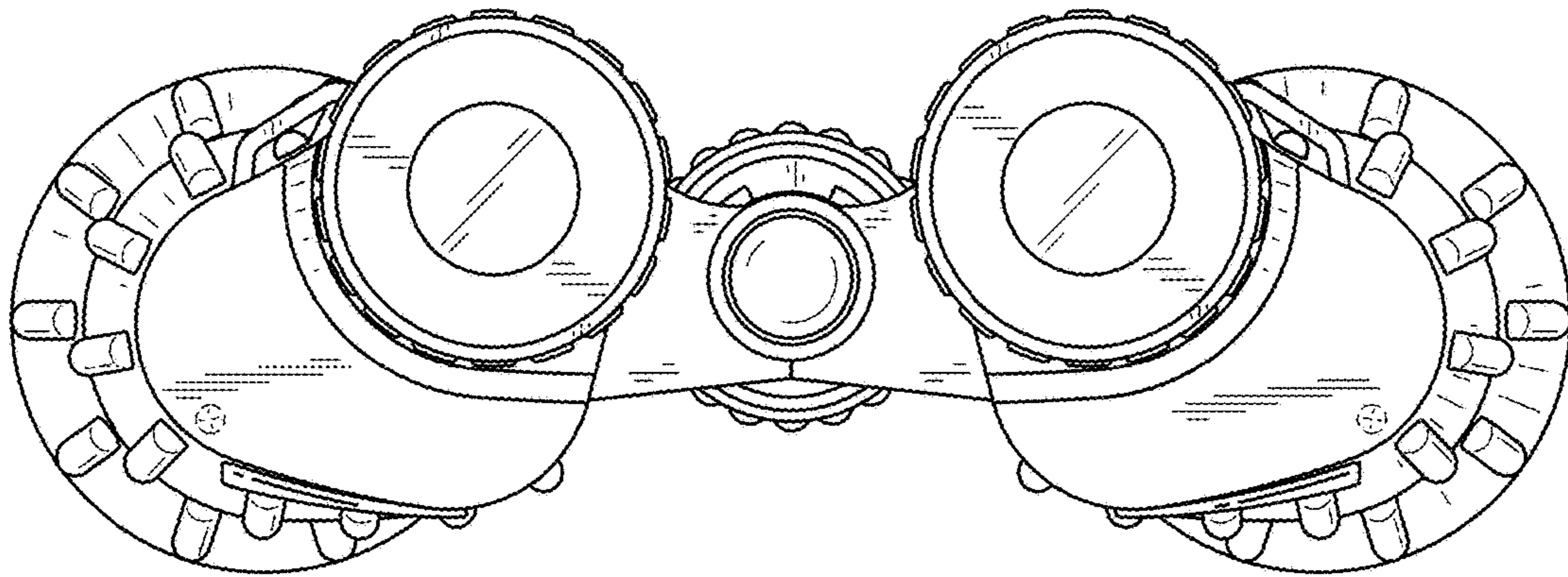


FIG. 5

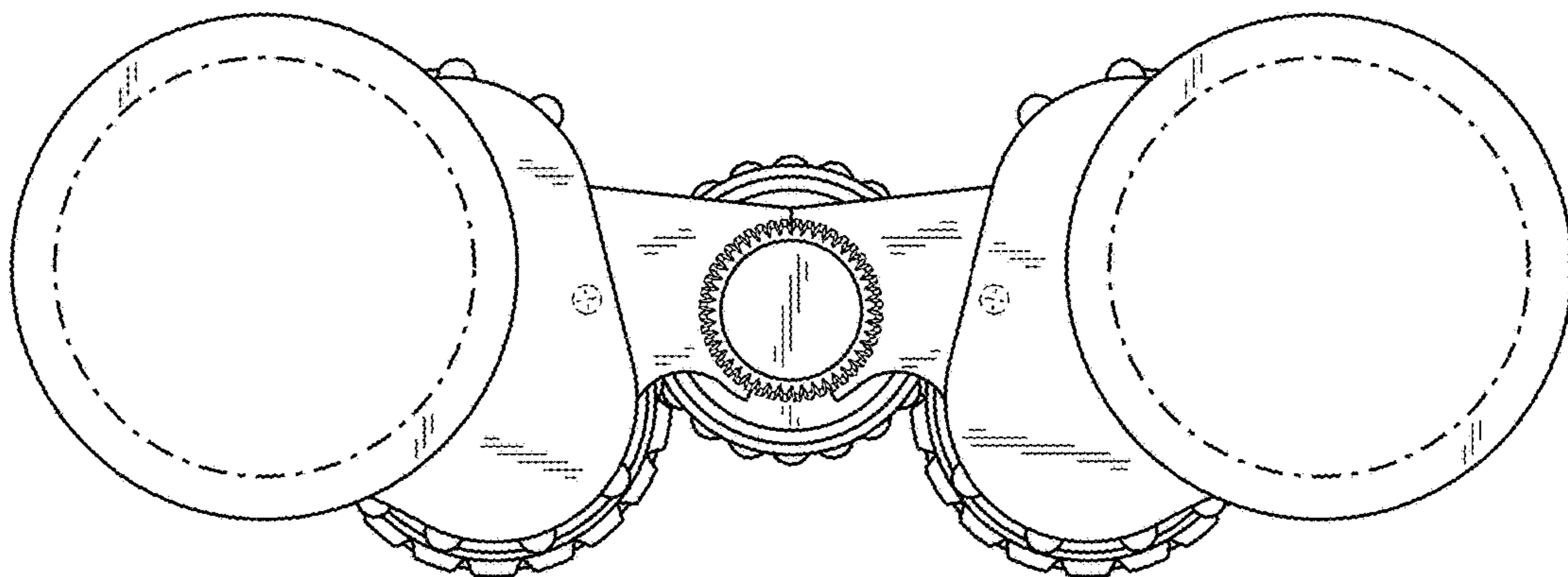


FIG. 6

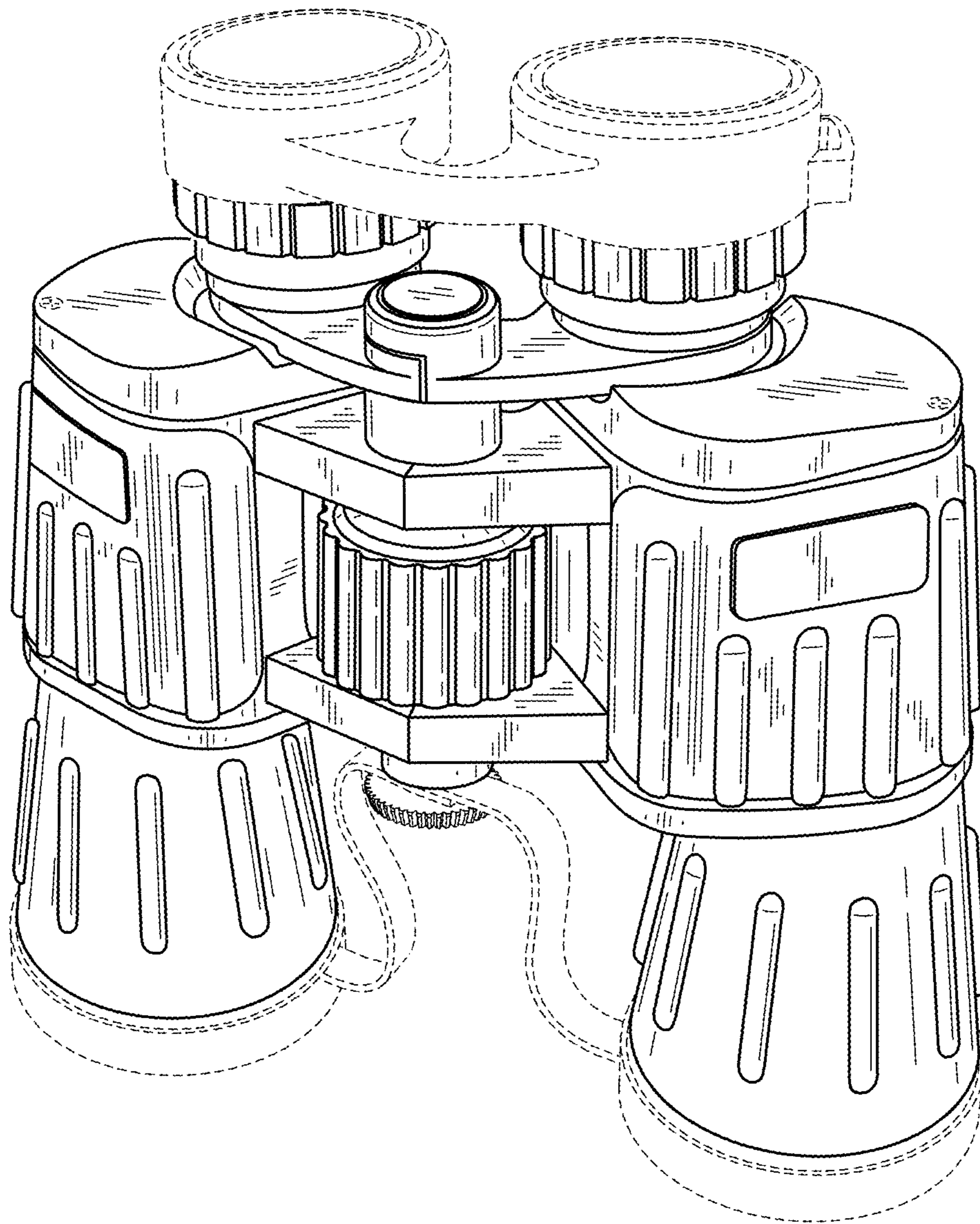


FIG. 7