



US00D821473S

(12) **United States Design Patent**
Patel

(10) **Patent No.:** **US D821,473 S**
(45) **Date of Patent:** **** Jun. 26, 2018**

(54) **SUITING STATION**
(71) Applicant: **The Void, LLC**, Lindon, UT (US)
(72) Inventor: **Sajid Patel**, Arlington Heights, IL (US)
(73) Assignee: **The VOID, LCC**, Lindon, UT (US)
(**) Term: **15 Years**
(21) Appl. No.: **29/590,973**
(22) Filed: **Jan. 14, 2017**
(51) **LOC (11) Cl.** **15-99**
(52) **U.S. Cl.**
USPC **D15/199**
(58) **Field of Classification Search**
USPC D14/199; D15/122, 138, 199
CPC A63F 13/10; A63F 13/26; A63F 13/71;
A63F 13/215; A63F 13/285; A63F
2300/65; A63F 2300/302; A63F
2300/1012; A63F 2300/8082
See application file for complete search history.

6,821,233 B1 * 11/2004 Colombo A61F 5/0102
482/54
7,354,382 B1 * 4/2008 Warren, II A61G 7/1017
482/68
7,540,045 B2 * 6/2009 Nativ A61G 7/1015
5/86.1
9,376,063 B2 * 6/2016 Hein B60R 9/10
9,814,644 B2 * 11/2017 Clark A61G 7/1074
2002/0043544 A1 * 4/2002 Caneba A45C 13/262
224/584
2008/0153590 A1 * 6/2008 Ombrellaro A63F 13/02
463/30
2011/0067157 A1 * 3/2011 Xiao B25J 9/0006
2/2.11
2012/0122062 A1 * 5/2012 Yang G09B 9/00
434/219
2012/0298605 A1 * 11/2012 Dovner B62H 3/12
211/85.3
2012/0330198 A1 * 12/2012 Patoglu B25J 9/0006
601/33
2015/0137483 A1 * 5/2015 Morga B60D 1/246
280/477

(Continued)

Primary Examiner — Patricia A Palasik
(74) *Attorney, Agent, or Firm* — Bachmann Law Group

(56) **References Cited**

U.S. PATENT DOCUMENTS

4,538,436 A * 9/1985 Schwarze B21D 9/073
72/150
5,423,554 A * 6/1995 Davis A63F 13/005
345/4
5,502,851 A * 4/1996 Costello A61H 3/04
482/69
5,569,129 A * 10/1996 Seif-Naraghi A61G 7/1019
135/67
D416,568 S * 11/1999 Templer D15/199
6,105,184 A * 8/2000 Onishi A61G 7/10
5/81.1 R
6,175,973 B1 * 1/2001 Hakamiun A61G 7/1017
5/86.1
6,689,075 B2 * 2/2004 West A61F 5/0102
482/69

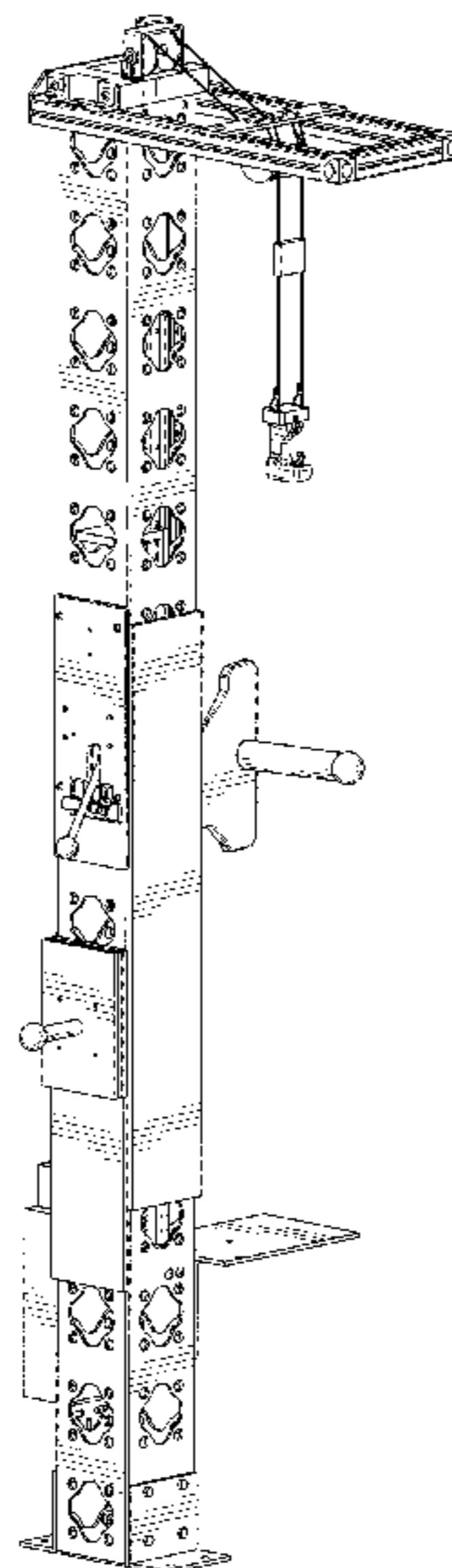
(57) **CLAIM**

The ornamental design for a suiting station, as shown and described.

DESCRIPTION

FIG. 1 is a front perspective view of a suiting station according to the present design.
FIG. 2 is a front view of the suiting station of FIG. 1.
FIG. 3 is a rear view of the suiting station of FIG. 1.
FIG. 4 is a left side view of the suiting station of FIG. 1.
FIG. 5 is a right side view of the suiting station of FIG. 1.
FIG. 6 is a top view of the suiting station of FIG. 1; and
FIG. 7 is a bottom view of the suiting station of FIG. 1.

1 Claim, 6 Drawing Sheets



(56)

References Cited

U.S. PATENT DOCUMENTS

2015/0193979 A1* 7/2015 Grek G06F 1/1694
345/633
2016/0243996 A1* 8/2016 Anton B60R 9/06
2017/0056760 A1* 3/2017 Lee A63F 13/214
2017/0206691 A1* 7/2017 Harrises G06T 11/60
2018/0005448 A1* 1/2018 Choukroun G06T 19/006

* cited by examiner

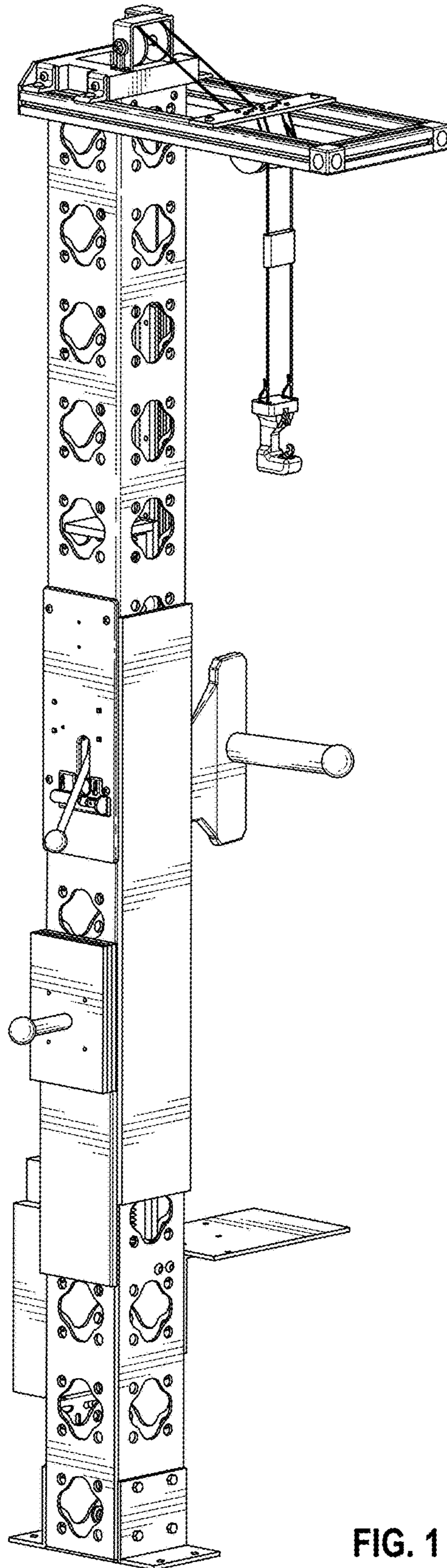


FIG. 1

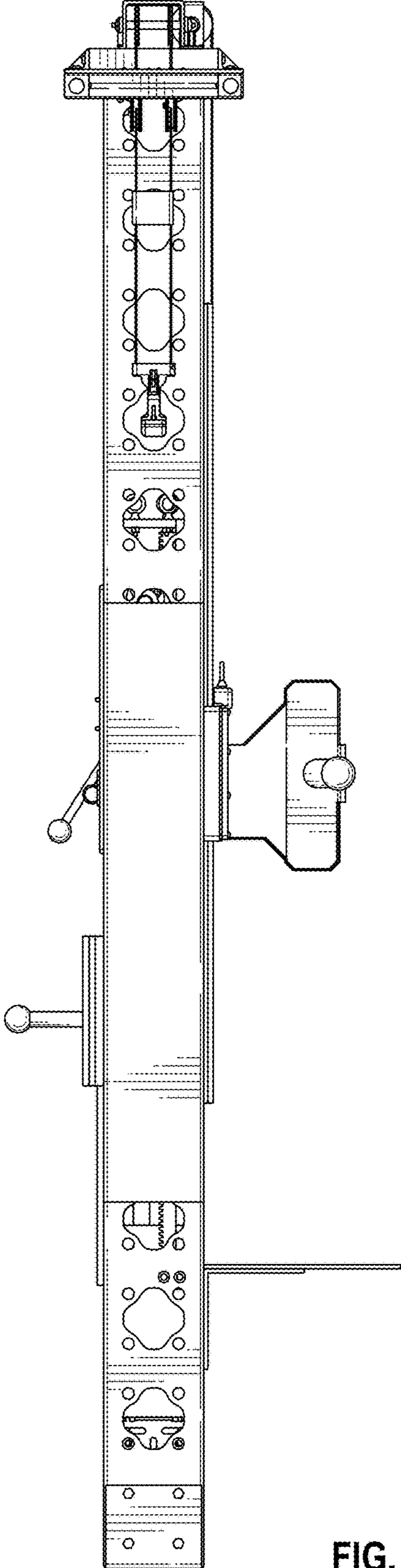


FIG. 2

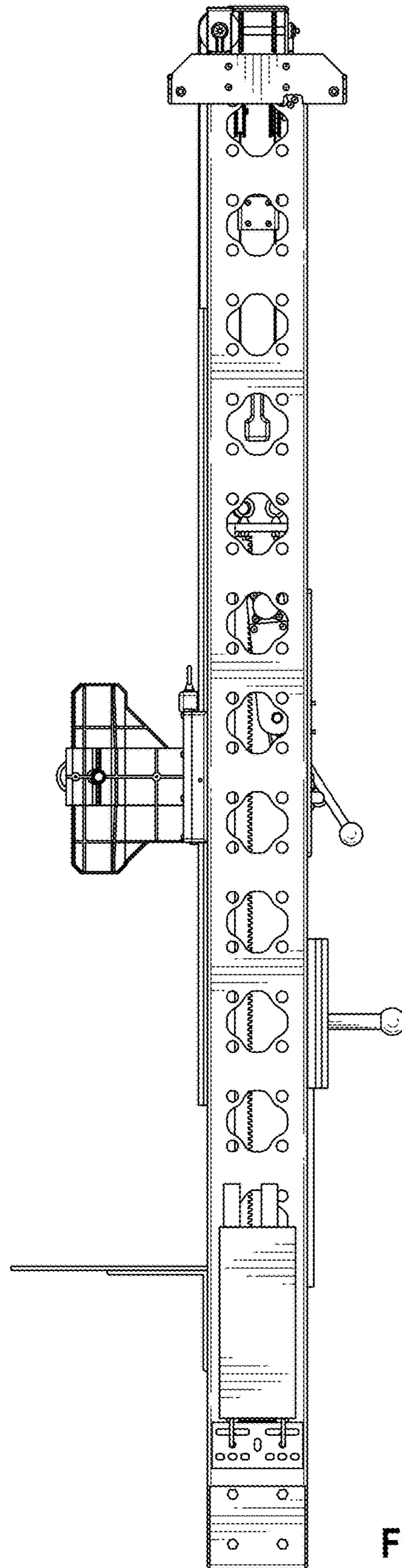


FIG. 3

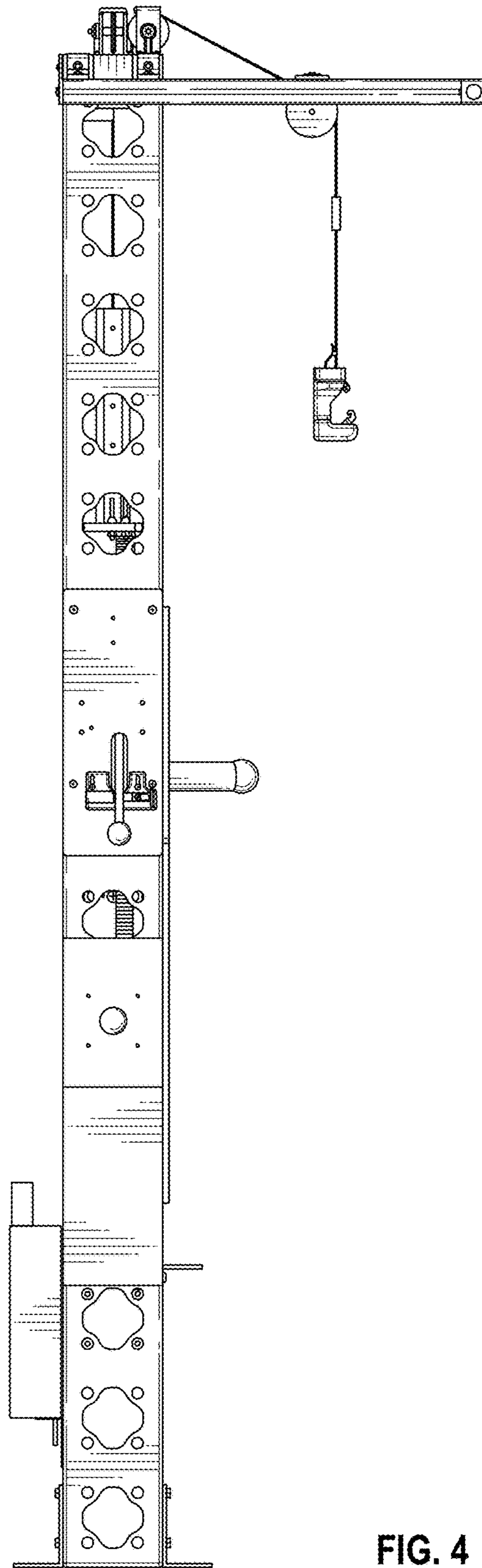


FIG. 4

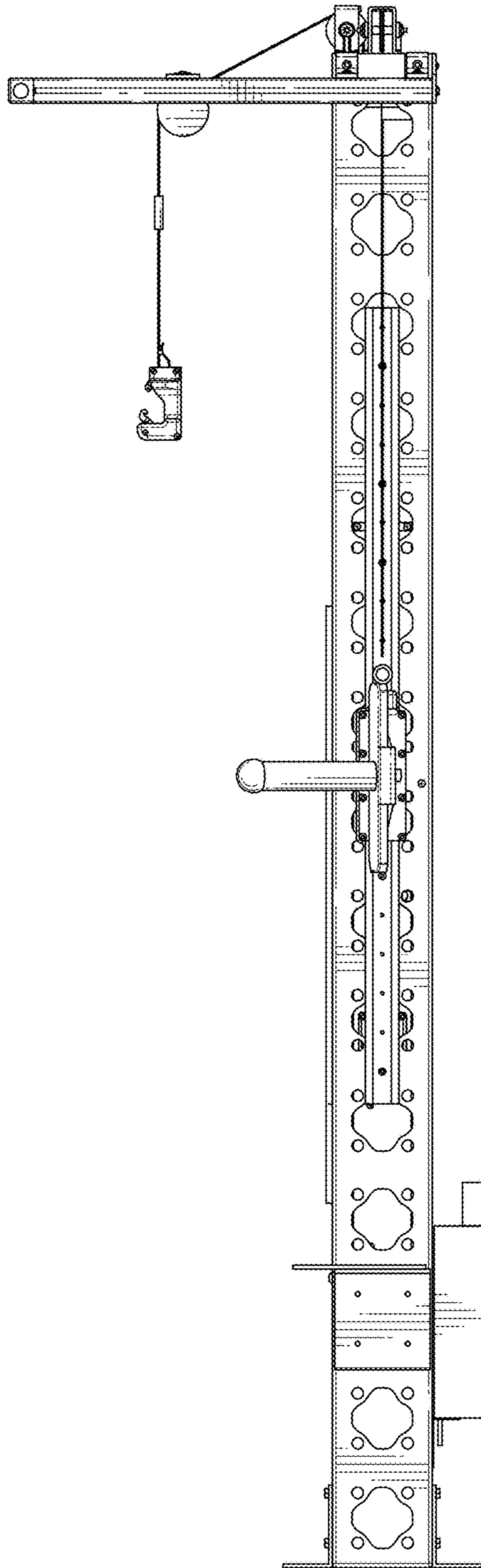


FIG. 5

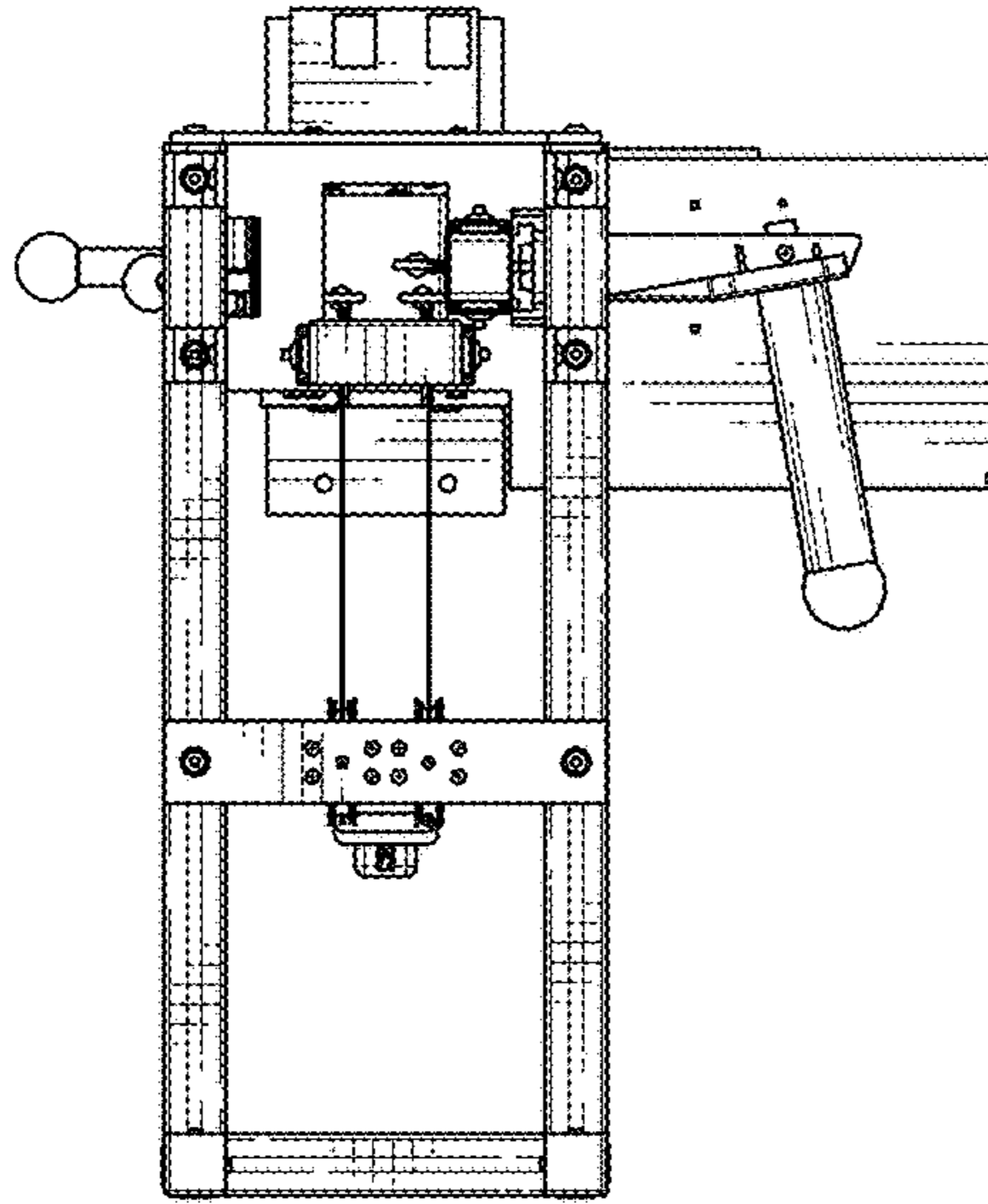


FIG. 6

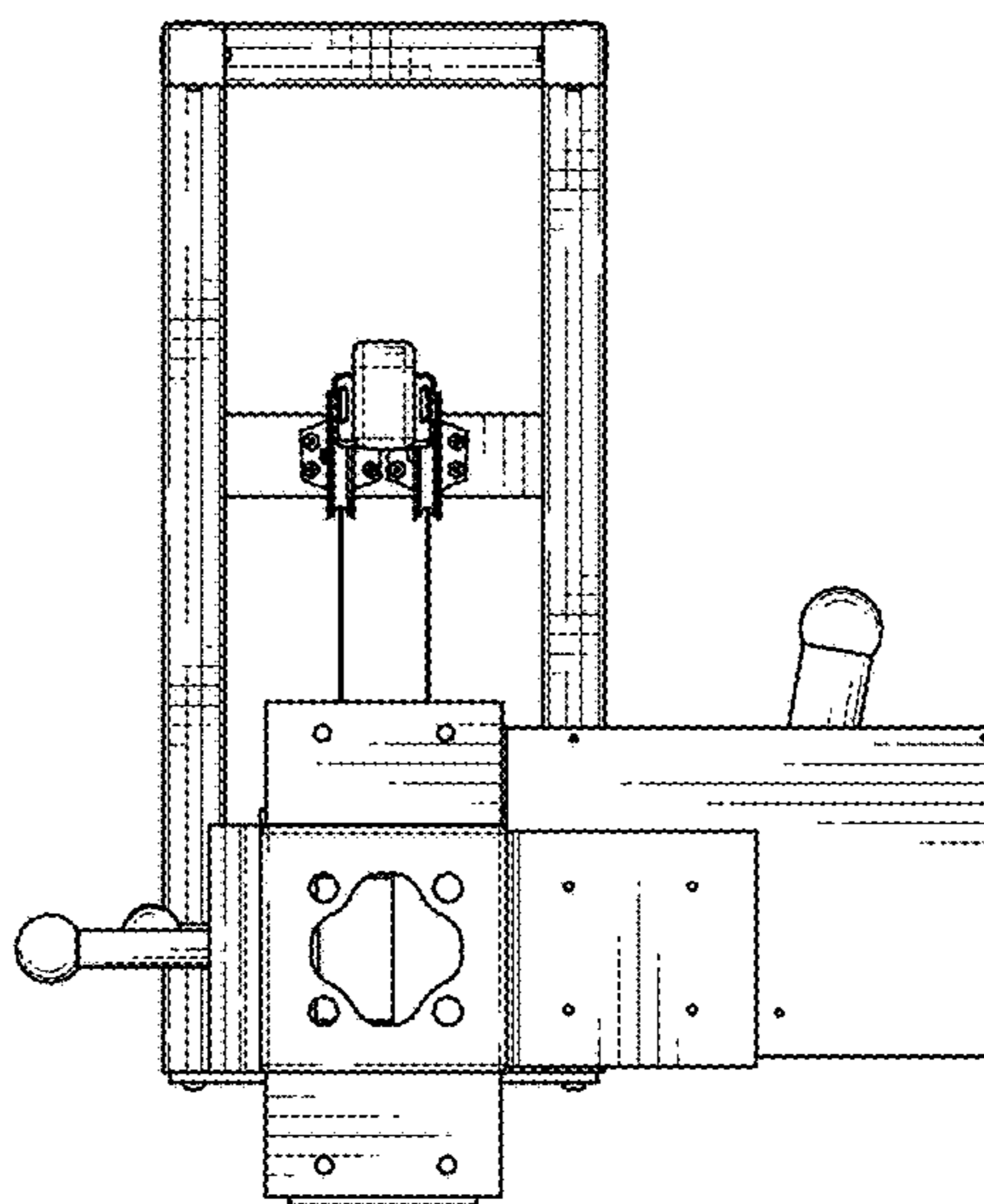


FIG. 7