



US00D821471S

(12) **United States Design Patent**
Zhuang

(10) **Patent No.:** **US D821,471 S**
(45) **Date of Patent:** **** Jun. 26, 2018**

- (54) **ELECTRIC CYLINDER**
- (71) Applicant: **TIMOTION TECHNOLOGY CO., LTD.**, New Taipei (TW)
- (72) Inventor: **Bing-Sen Zhuang**, New Taipei (TW)
- (73) Assignee: **TIMOTION TECHNOLOGY CO., LTD.**, New Taipei (TW)
- (**) Term: **15 Years**
- (21) Appl. No.: **29/616,707**
- (22) Filed: **Sep. 8, 2017**
- (51) **LOC (11) Cl.** **15-09**
- (52) **U.S. Cl.**
USPC **D15/148**
- (58) **Field of Classification Search**
USPC D15/1-5, 7, 9, 138, 140, 143, 148, 149, D15/199
CPC B66F 3/18; F16H 19/04; F16H 57/039; H01F 7/066
See application file for complete search history.

(56) **References Cited**

U.S. PATENT DOCUMENTS

6,321,611	B1 *	11/2001	Szu	F16H 25/2015 192/141
D458,284	S *	6/2002	Landerholm	D15/143
D577,753	S *	9/2008	Lund	D15/143
D589,991	S *	4/2009	Chen	D15/143
D595,753	S *	7/2009	Tseng	D15/143
D596,652	S *	7/2009	Roither	D15/143
D632,321	S *	2/2011	Wu	D15/143
D656,975	S *	4/2012	Tseng	D15/143
D765,748	S *	9/2016	Bogelund	D15/143
D776,728	S *	1/2017	Wu	D15/143

D785,061	S *	4/2017	Gong	D15/148
D785,062	S *	4/2017	Gong	D15/148
D792,490	S *	7/2017	Lin	D15/143
D806,153	S *	12/2017	Skov	D15/148
2005/0160846	A1 *	7/2005	Chiang	F16H 25/20 74/89.35
2005/0264109	A1 *	12/2005	Abrahamsen	F16H 25/20 310/20
2010/0282008	A1 *	11/2010	Knudsen	F16H 25/2015 74/89.23
2010/0282009	A1 *	11/2010	Knudsen	F16H 25/20 74/89.37
2017/0219072	A1 *	8/2017	Sorensen	F16H 25/2252
2017/0222516	A1 *	8/2017	Sorensen	H02K 5/08
2017/0324302	A1 *	11/2017	Jorgensen	H02K 7/063

* cited by examiner

Primary Examiner — Patricia A Palasik

(74) *Attorney, Agent, or Firm* — Chun-Ming Shih; HDLS IPR Services

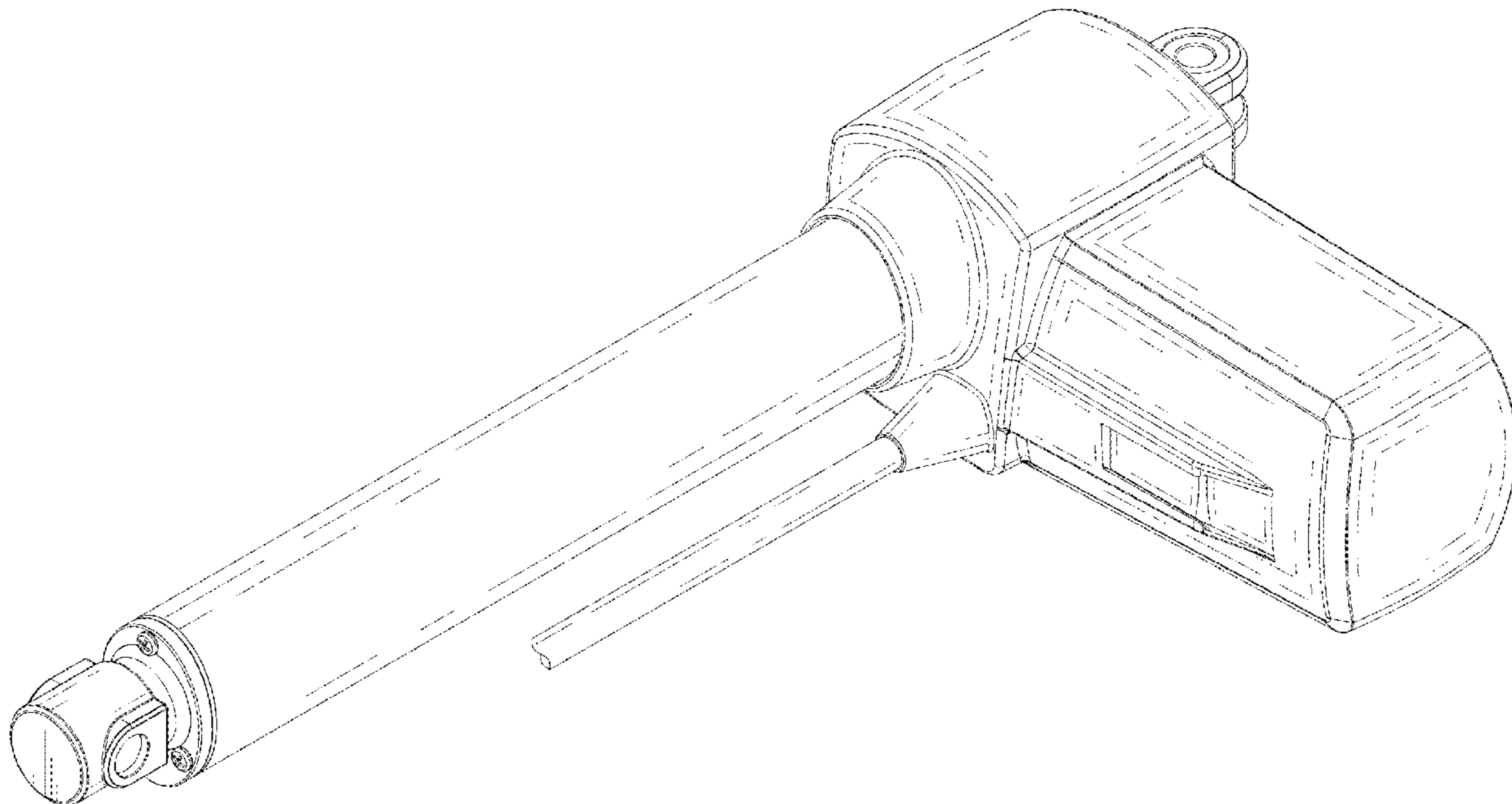
(57) **CLAIM**

The ornamental design for an electric cylinder, as shown and described.

DESCRIPTION

FIG. 1 is a perspective view of an electric cylinder showing my new design;
 FIG. 2 is a front view thereof;
 FIG. 3 is a rear view thereof;
 FIG. 4 is a left side view thereof;
 FIG. 5 is a right side view thereof;
 FIG. 6 is a top view thereof;
 FIG. 7 is a bottom view thereof;
 FIG. 8 is second perspective view thereof; and,
 FIG. 9 is third perspective view thereof.

1 Claim, 9 Drawing Sheets



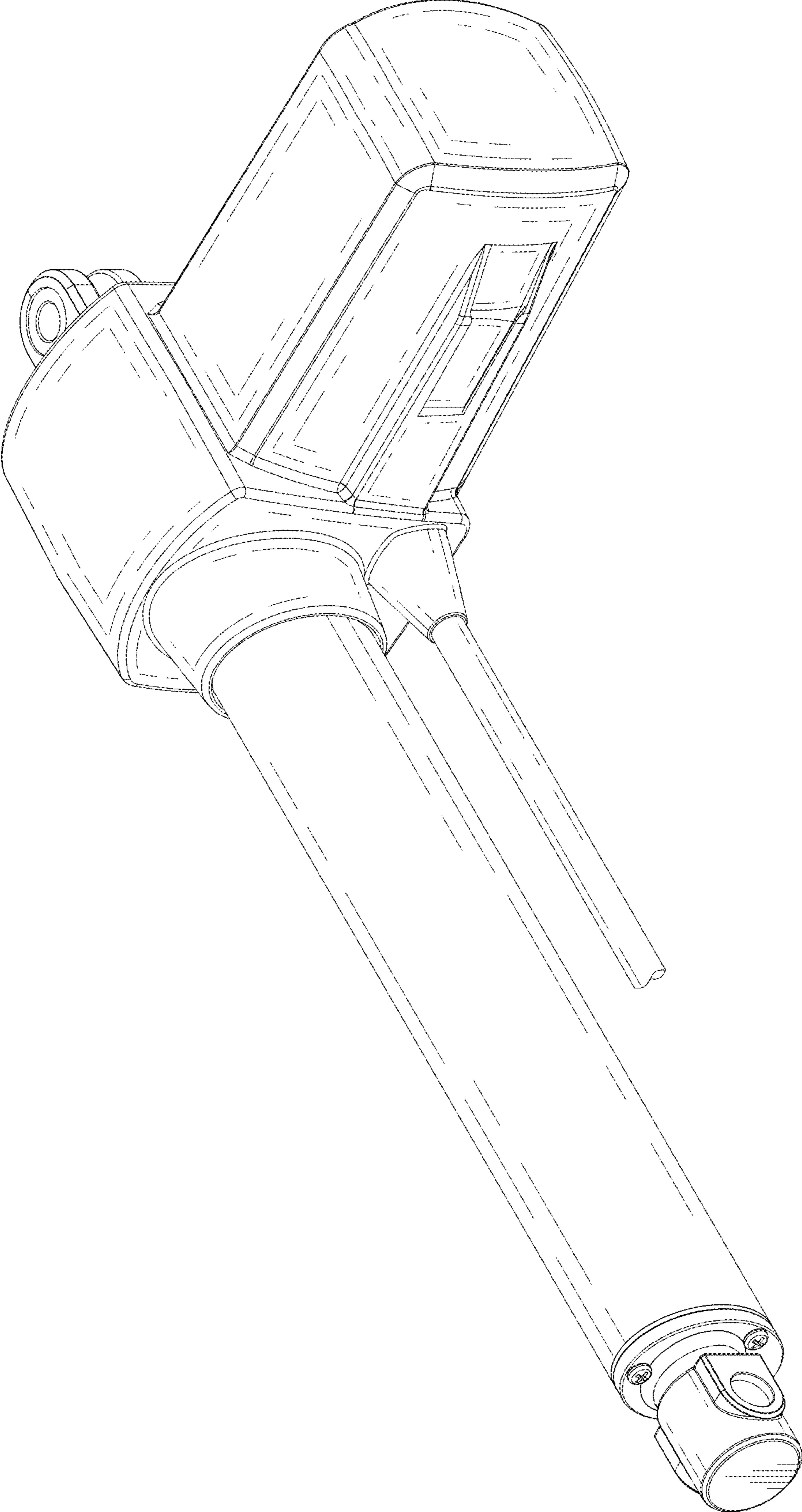


FIG.1

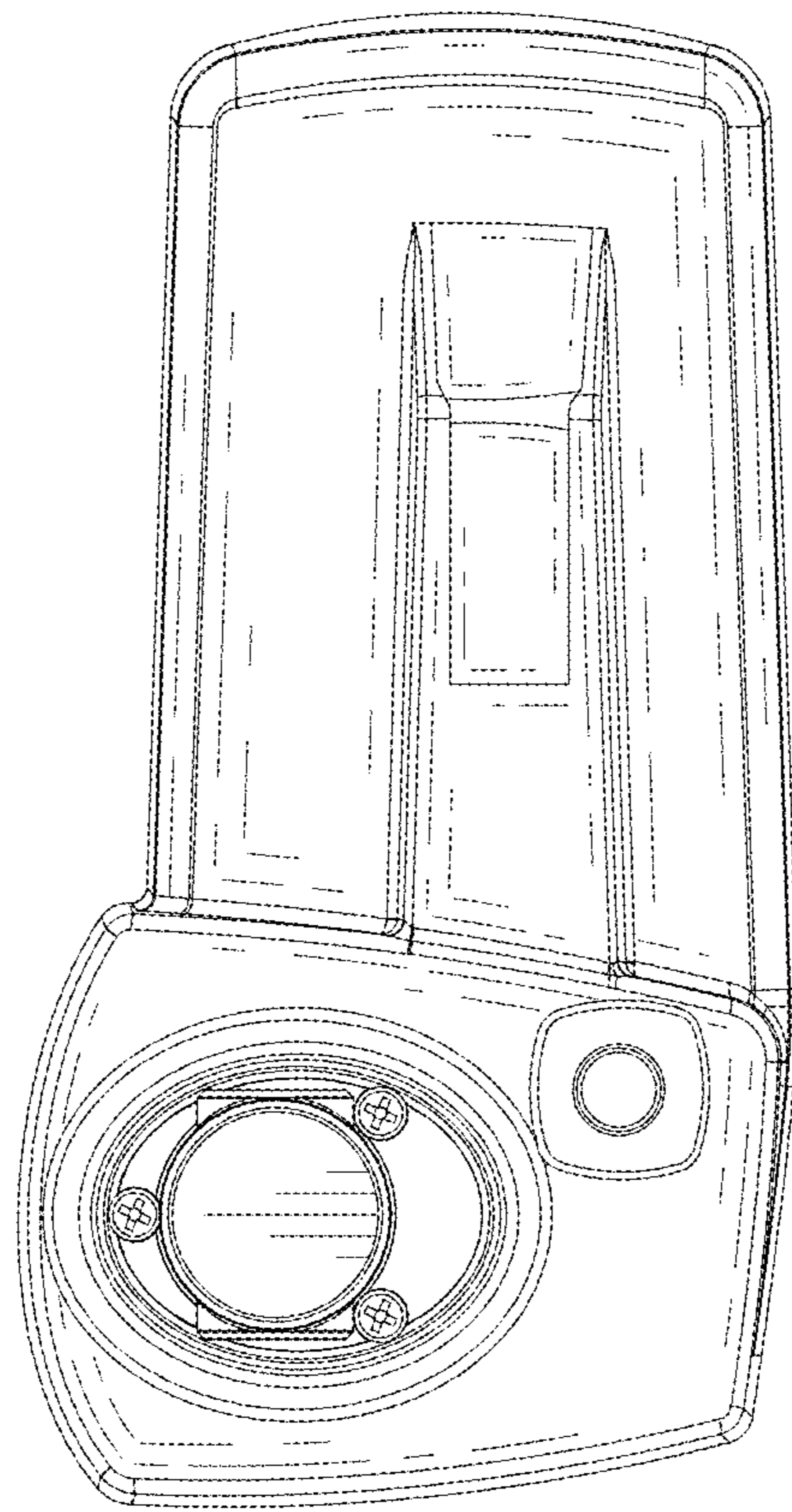


FIG.2

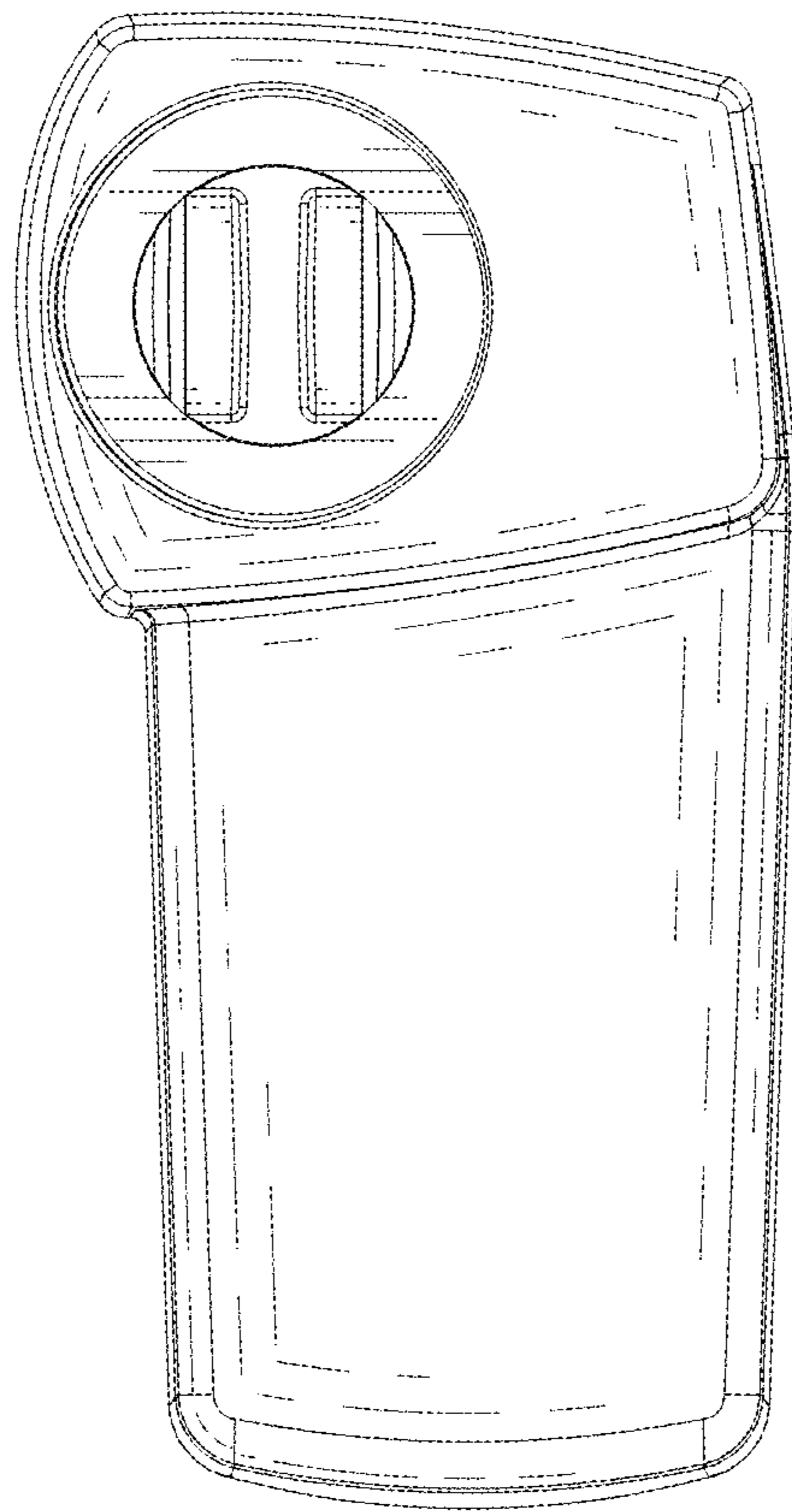


FIG.3

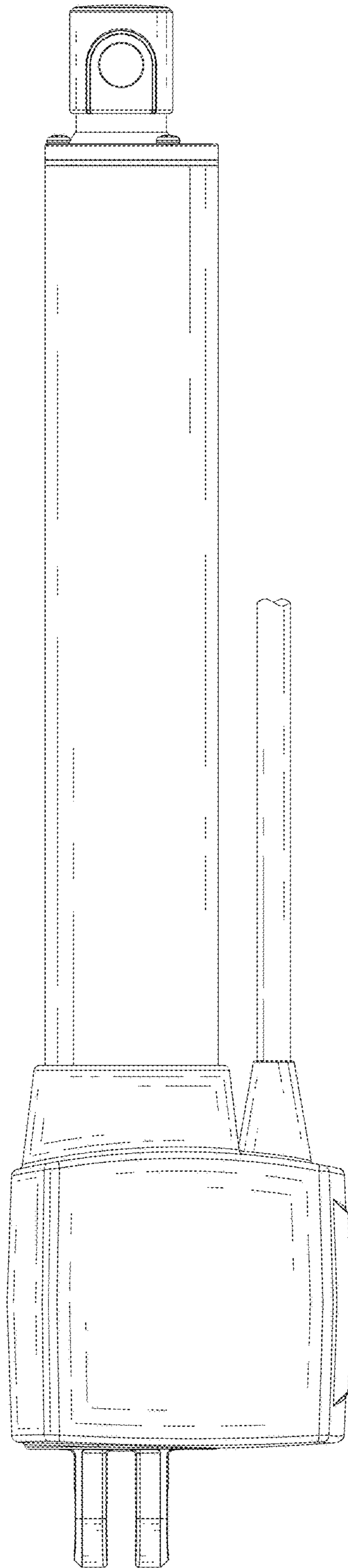


FIG.4

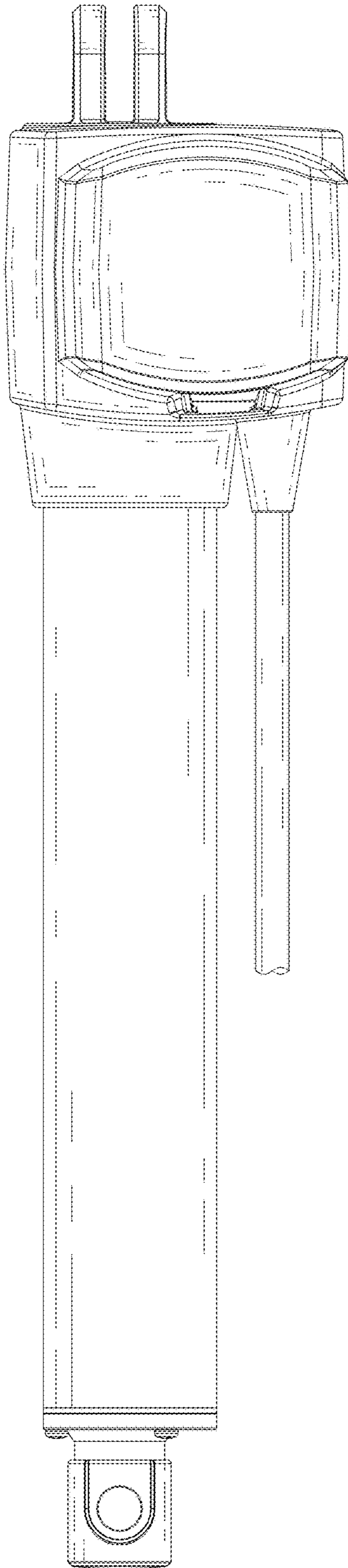


FIG.5

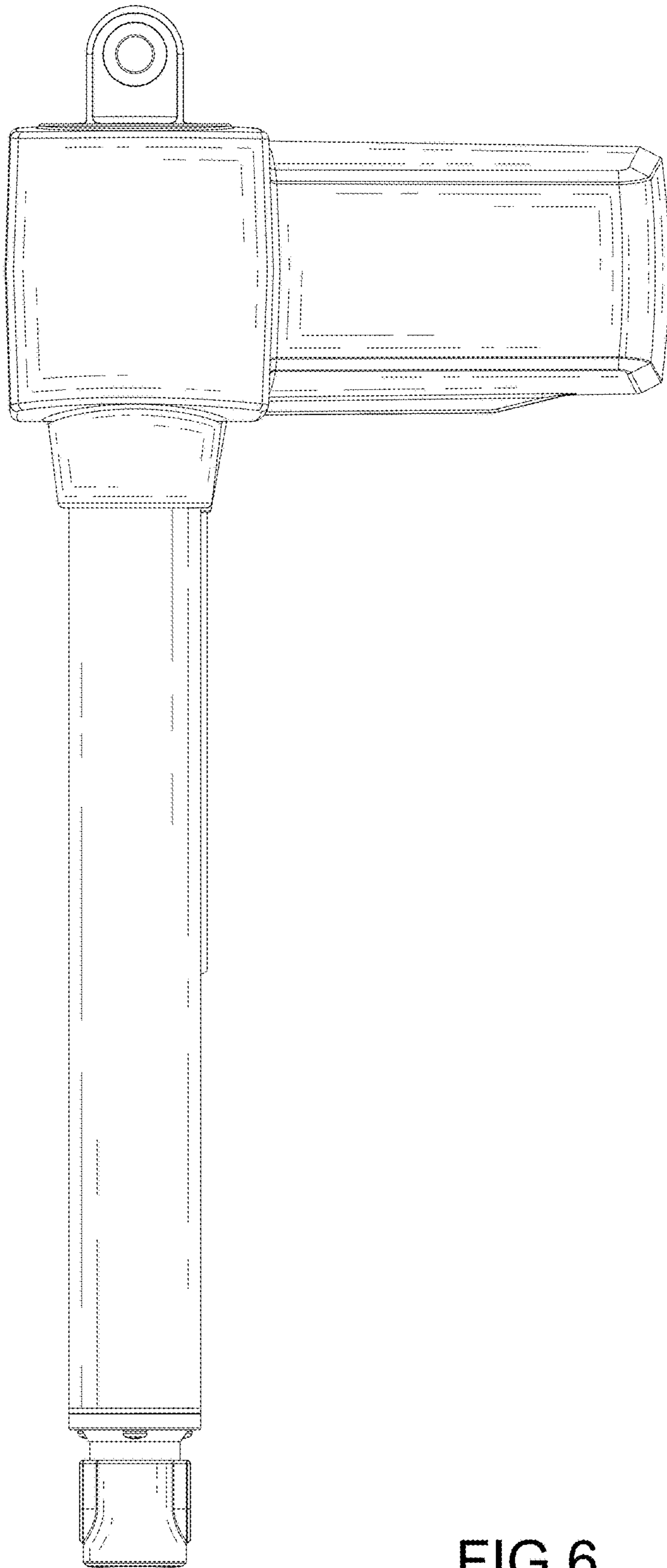


FIG.6

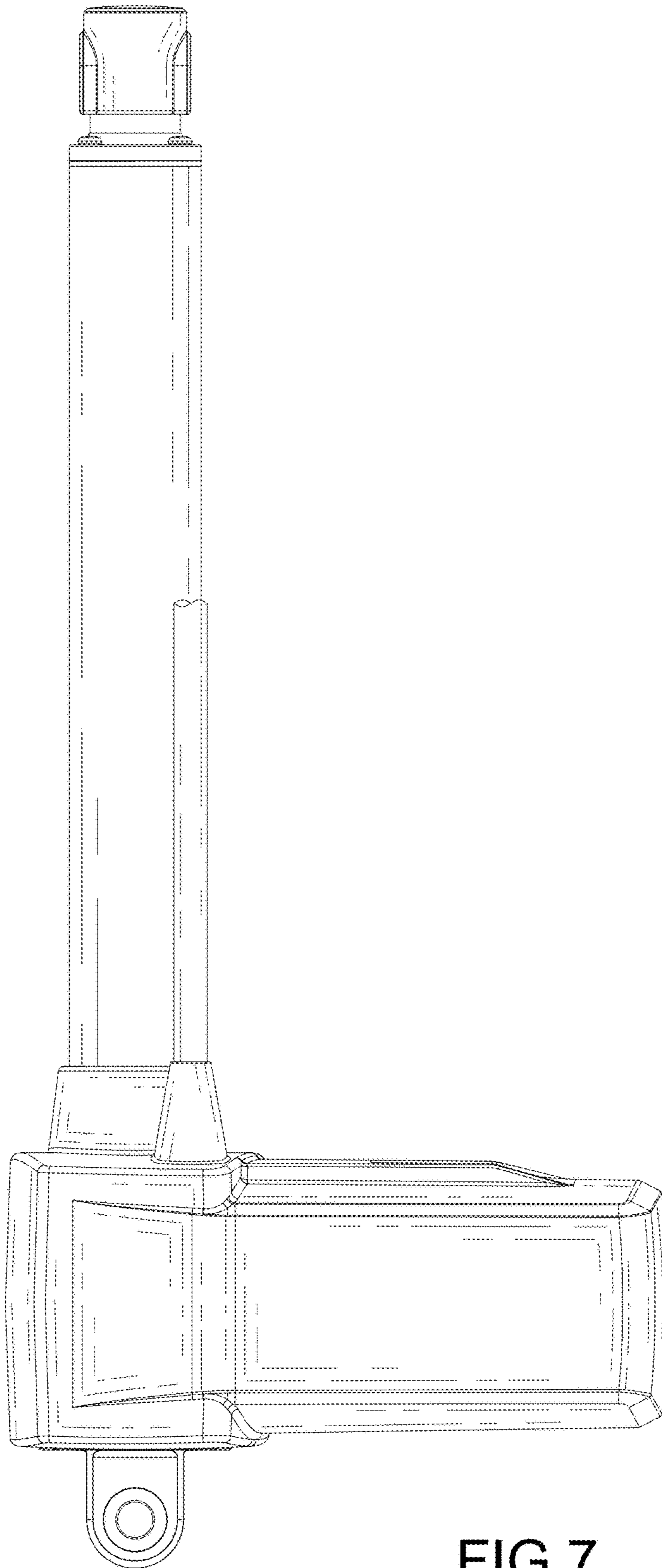


FIG. 7

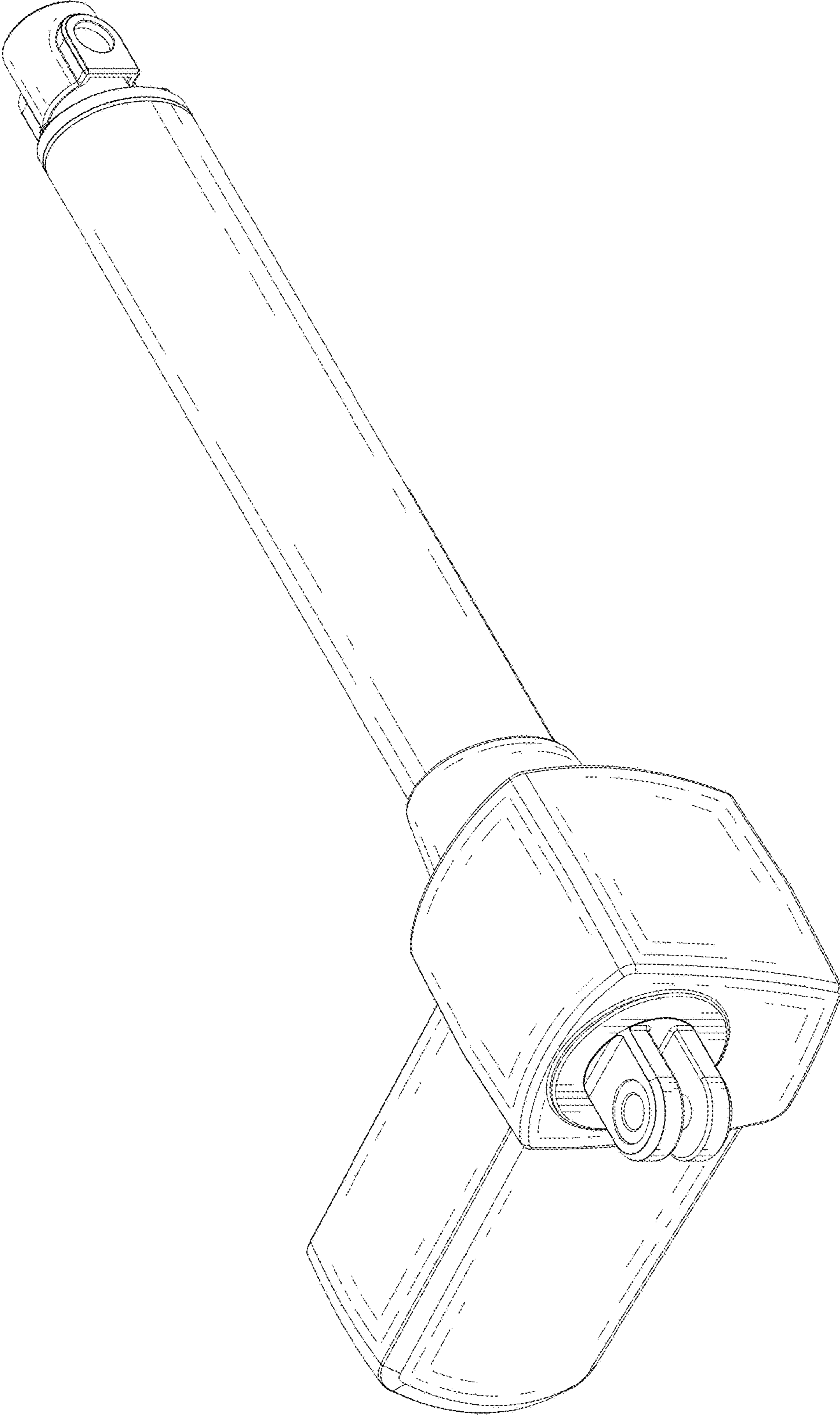


FIG.8

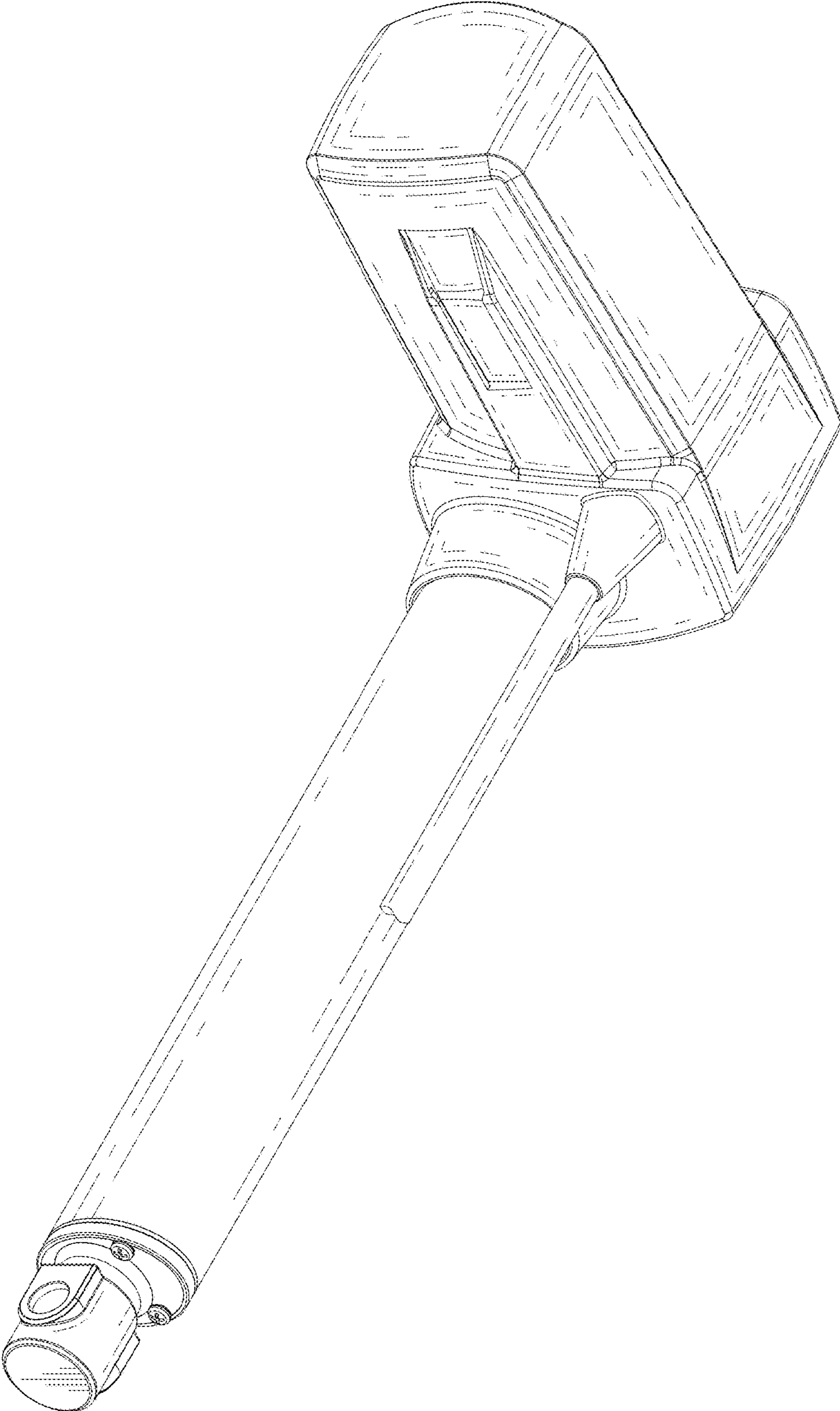


FIG.9