



US00D821470S

(12) **United States Design Patent**
Ebner

(10) **Patent No.:** **US D821,470 S**

(45) **Date of Patent:** **** Jun. 26, 2018**

(54) **GEARING FOR ELECTRIC MOTOR**

(71) Applicant: **Wittenstein AG**, Igersheim (DE)

(72) Inventor: **Siegfried Ebner**, Zell am See (AT)

(73) Assignee: **Wittenstein SE**, Igersheim (DE)

(**) Term: **15 Years**

(21) Appl. No.: **29/555,648**

(22) Filed: **Feb. 24, 2016**

(30) **Foreign Application Priority Data**

Aug. 24, 2015 (EM) 002759530

(51) **LOC (11) Cl.** **15-99**

(52) **U.S. Cl.**
USPC **D15/148**

(58) **Field of Classification Search**
USPC D15/148, 149; D12/180; 74/640;
92/71; 192/38, 223.2; 475/331
CPC F16D 41/07; F16D 41/061-41/064; F16D
41/066; F16D 41/067; F16D 41/105;
F16H 1/28; F16H 1/46; F16H 49/001;
F16H 57/029; F16H 57/033; F16H
57/0482; F16H 57/082

See application file for complete search history.

(56) **References Cited**

U.S. PATENT DOCUMENTS

D479,541 S * 9/2003 Lannoch D15/148
D497,374 S * 10/2004 Wittenstein D15/148
D514,607 S * 2/2006 Wittenstein D15/148
D598,938 S * 8/2009 Mijno D15/148
D618,262 S * 6/2010 Siegfried D15/148
D618,263 S * 6/2010 Siegfried D15/148
D619,631 S * 7/2010 Otsuka D15/149

D703,253 S * 4/2014 Lannoch D15/148
D704,756 S * 5/2014 Voelker D15/148
D777,815 S * 1/2017 Ebner D15/148
D797,173 S * 9/2017 Ebner D15/148
2004/0166986 A1* 8/2004 Bayer F16H 1/28
475/331
2006/0096412 A1* 5/2006 Wittenstein F16H 1/28
74/606 R

OTHER PUBLICATIONS

“Machine Design.” Found online Jan. 26, 2018 at www.machinedesign.com. Page dated Apr. 9, 2013. Retrieved from URL: <http://www.machinedesign.com/print/27247> (Year: 2013).*
“Lenze.” Found online Jan. 26, 2018 at www.actechdrives.com. Page dated Apr. 17, 2016. Retrieved from URL: <http://www.actechdrives.com/Lenze-MPR-MPG-Planetary-Gearbox.htm> (Year: 2016).*

(Continued)

Primary Examiner — Caron D Veynar
Assistant Examiner — Katelin G Kloberg
(74) *Attorney, Agent, or Firm* — Bachman & LaPointe, PC

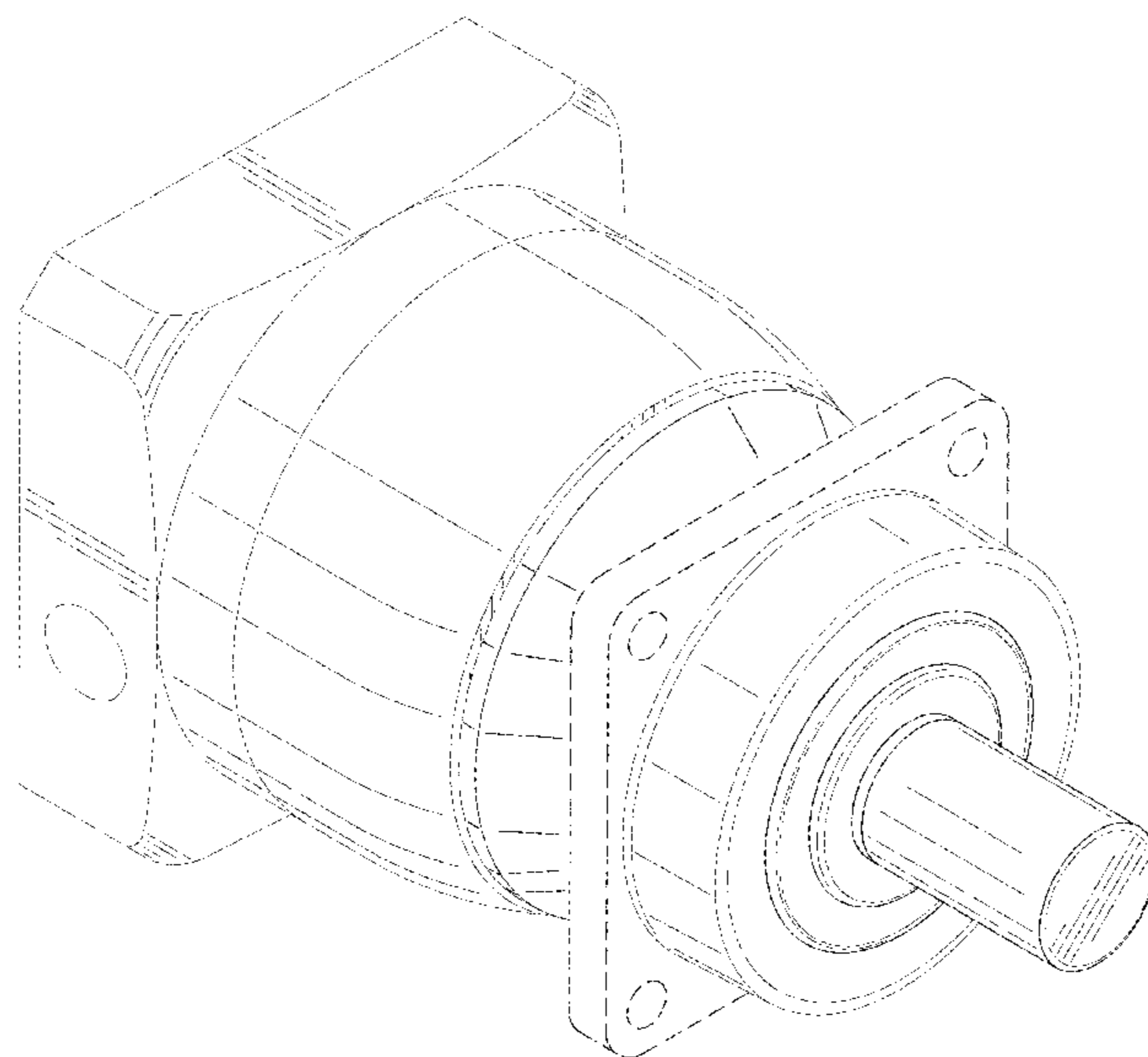
(57) **CLAIM**

The ornamental design for a gearing for electric motor, as shown and described.

DESCRIPTION

FIG. 1 is a perspective view showing the ornamental design of a gearing for electric motor according to the invention; FIG. 2 is a side view of the design of FIG. 1; FIG. 3 is a top view of the design of FIG. 1; FIG. 4 is a bottom view of the design of FIG. 1; FIG. 5 is a reverse side view of the design of FIG. 1; FIG. 6 is a front view of the design of FIG. 1; and, FIG. 7 is a rear view of the design of FIG. 1. The broken lines represent portions of the design that form no part of the claimed design.

1 Claim, 7 Drawing Sheets



(56)

References Cited

OTHER PUBLICATIONS

“Kojin Precision Industry Co. Ltd.” Found online Jan. 26, 2018 at
www.asianproducts.com. Image dated May 3, 2015. Retrieved from
URL: [https://tineye.com/search/
73789f5cc605c7898533ad4503454eb897babcb7/
?extension_ver=chrome-1.2.0](https://tineye.com/search/73789f5cc605c7898533ad4503454eb897babcb7/?extension_ver=chrome-1.2.0) (Year: 2015).*

* cited by examiner

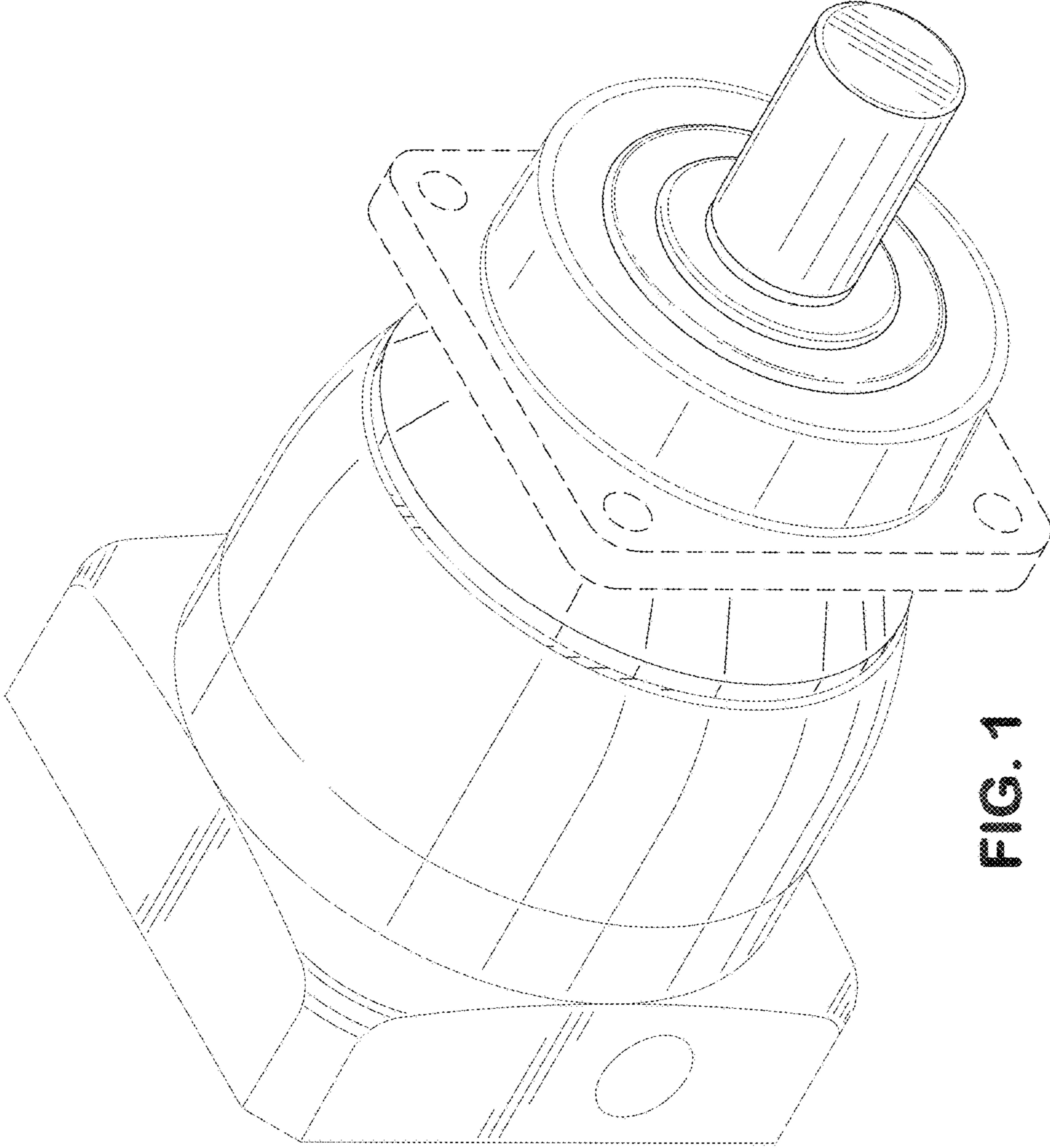


FIG. 1

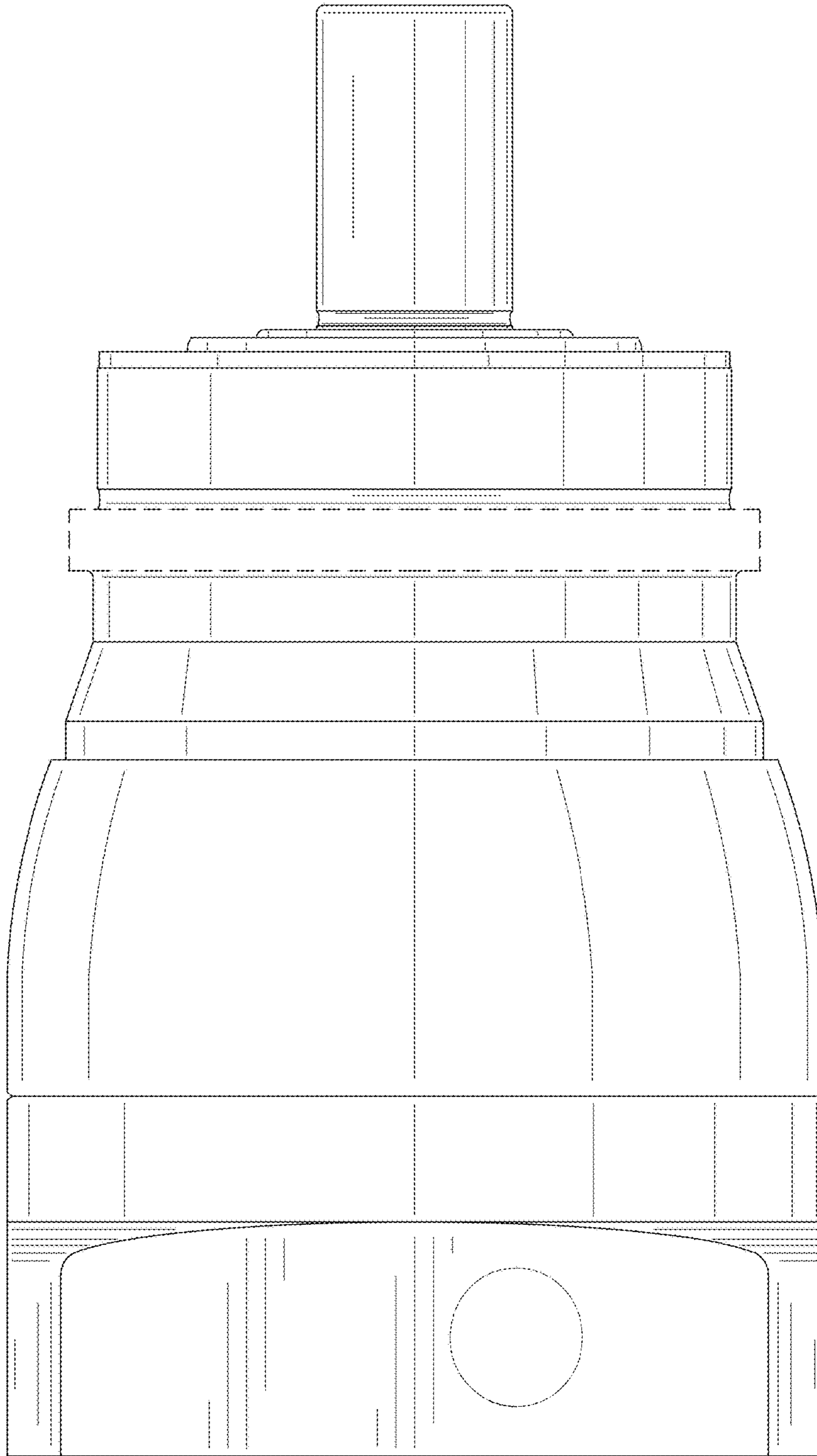


FIG. 2

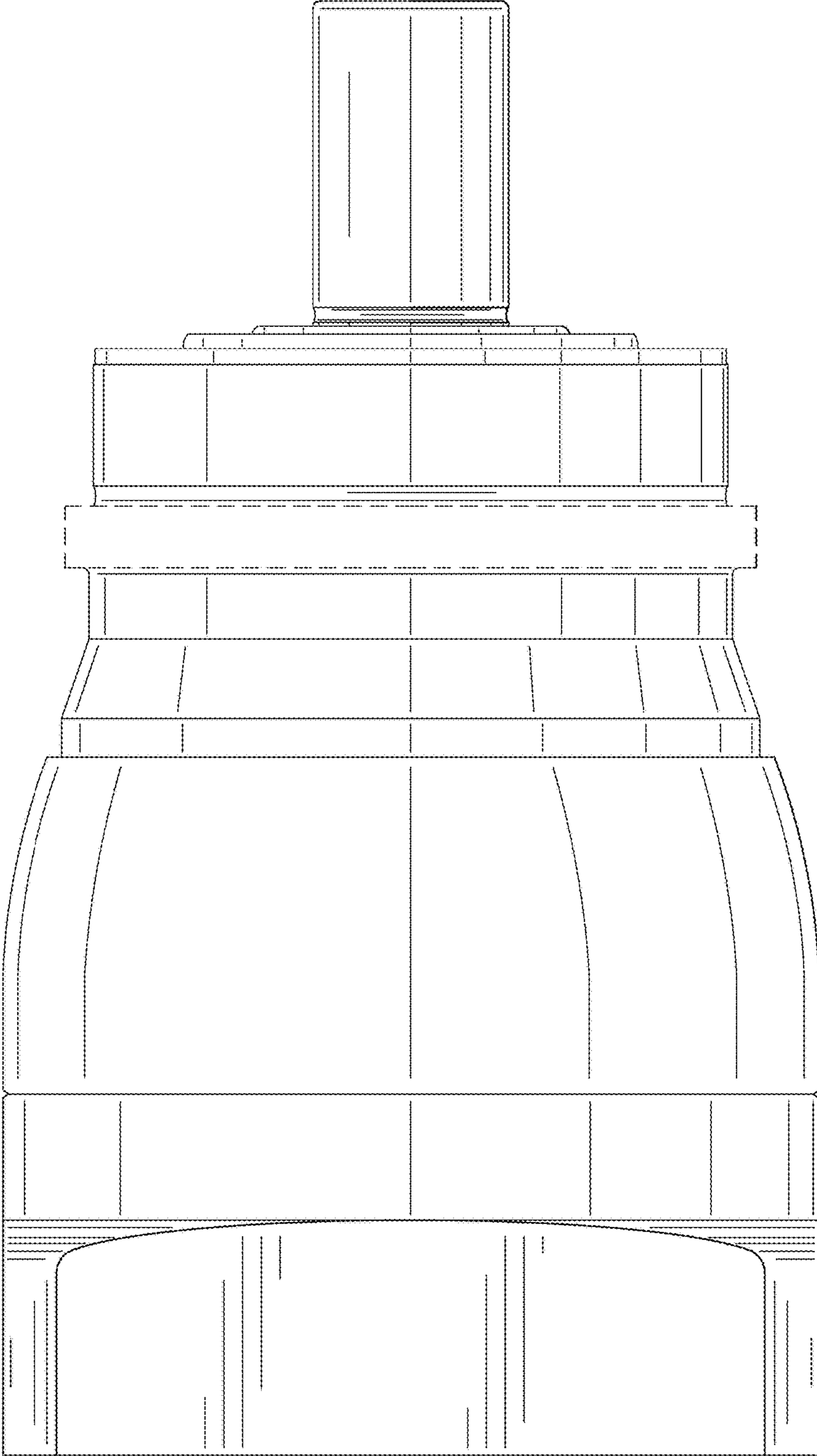


FIG. 3

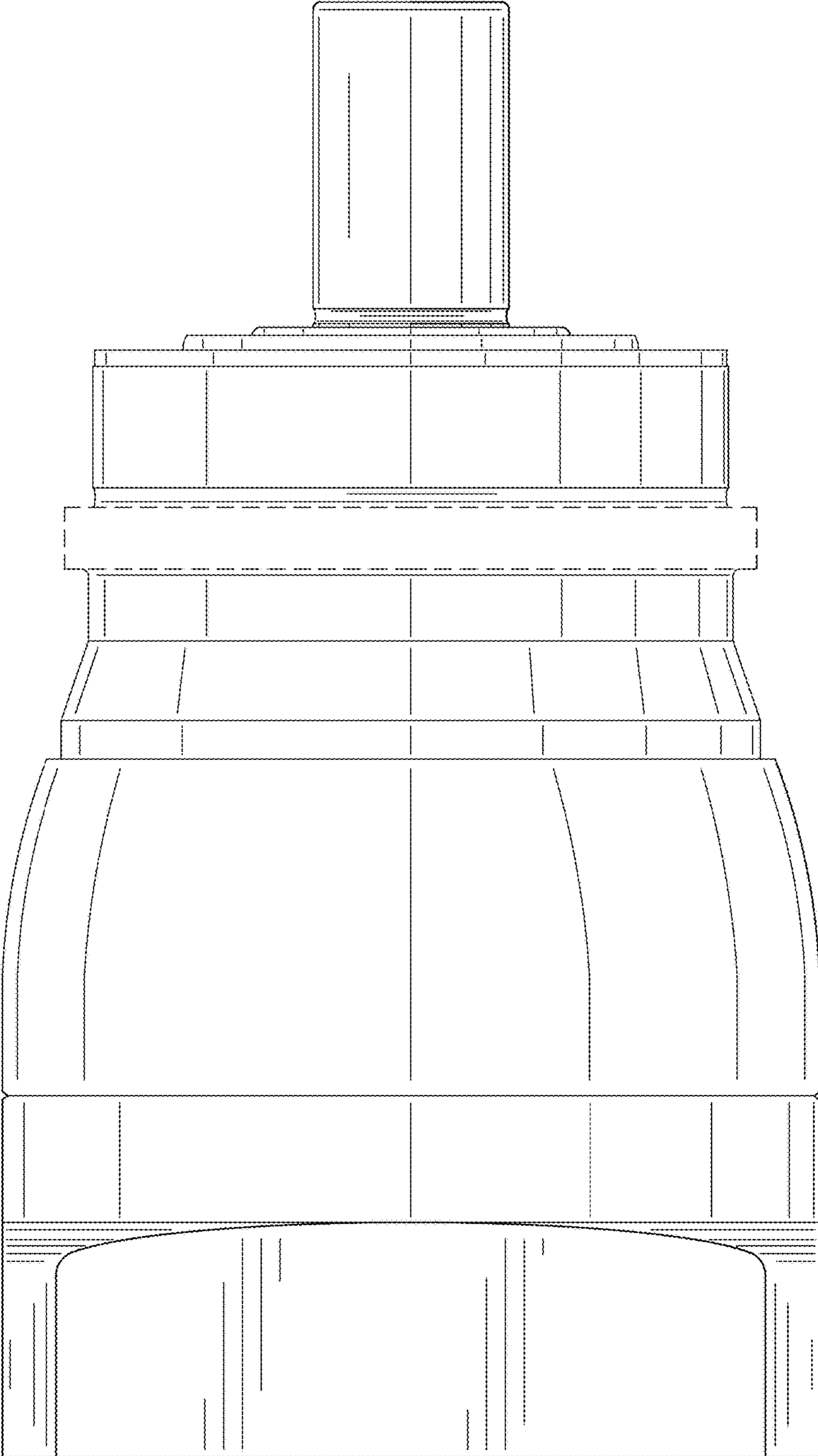


FIG. 4

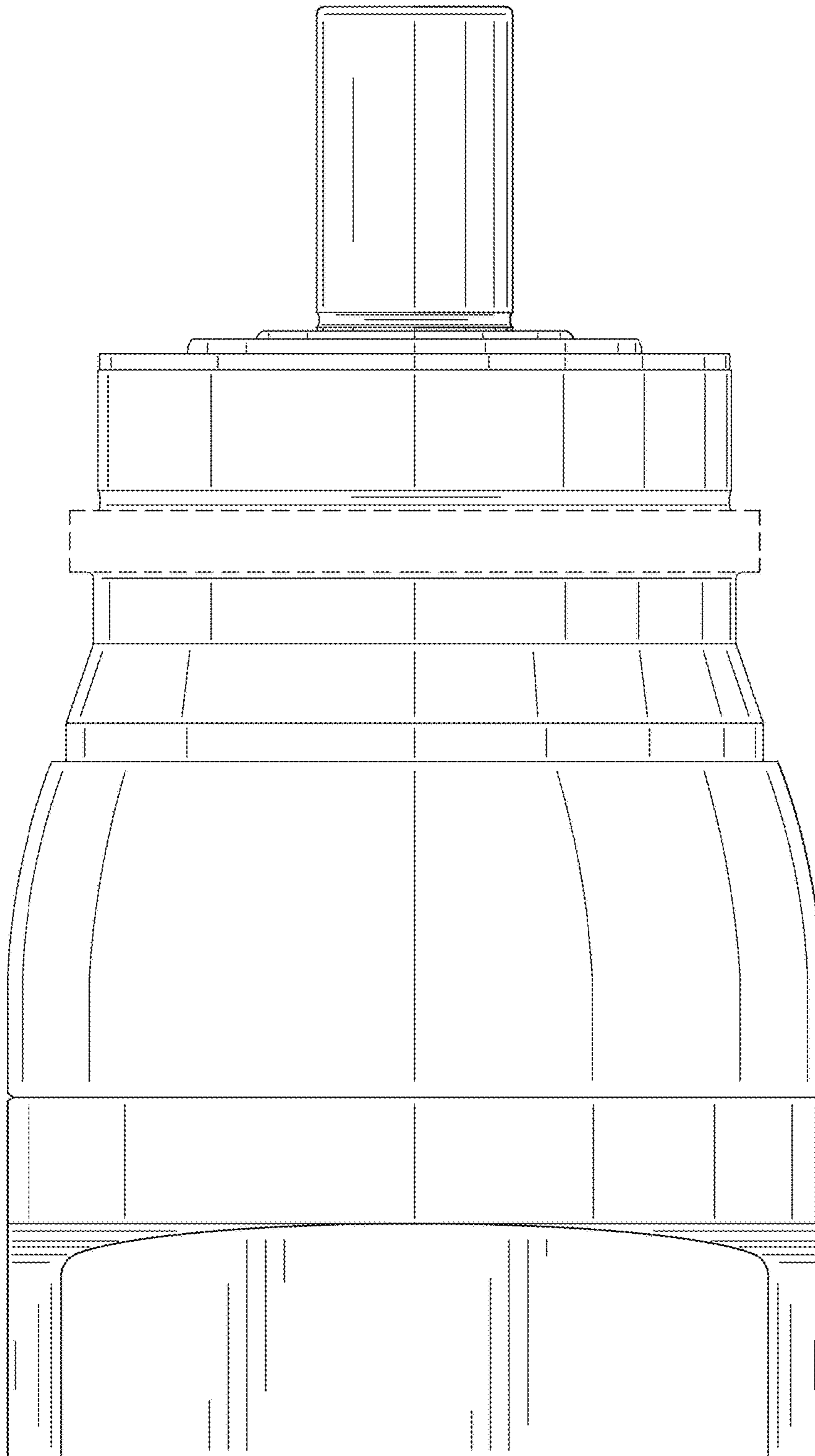


FIG. 5

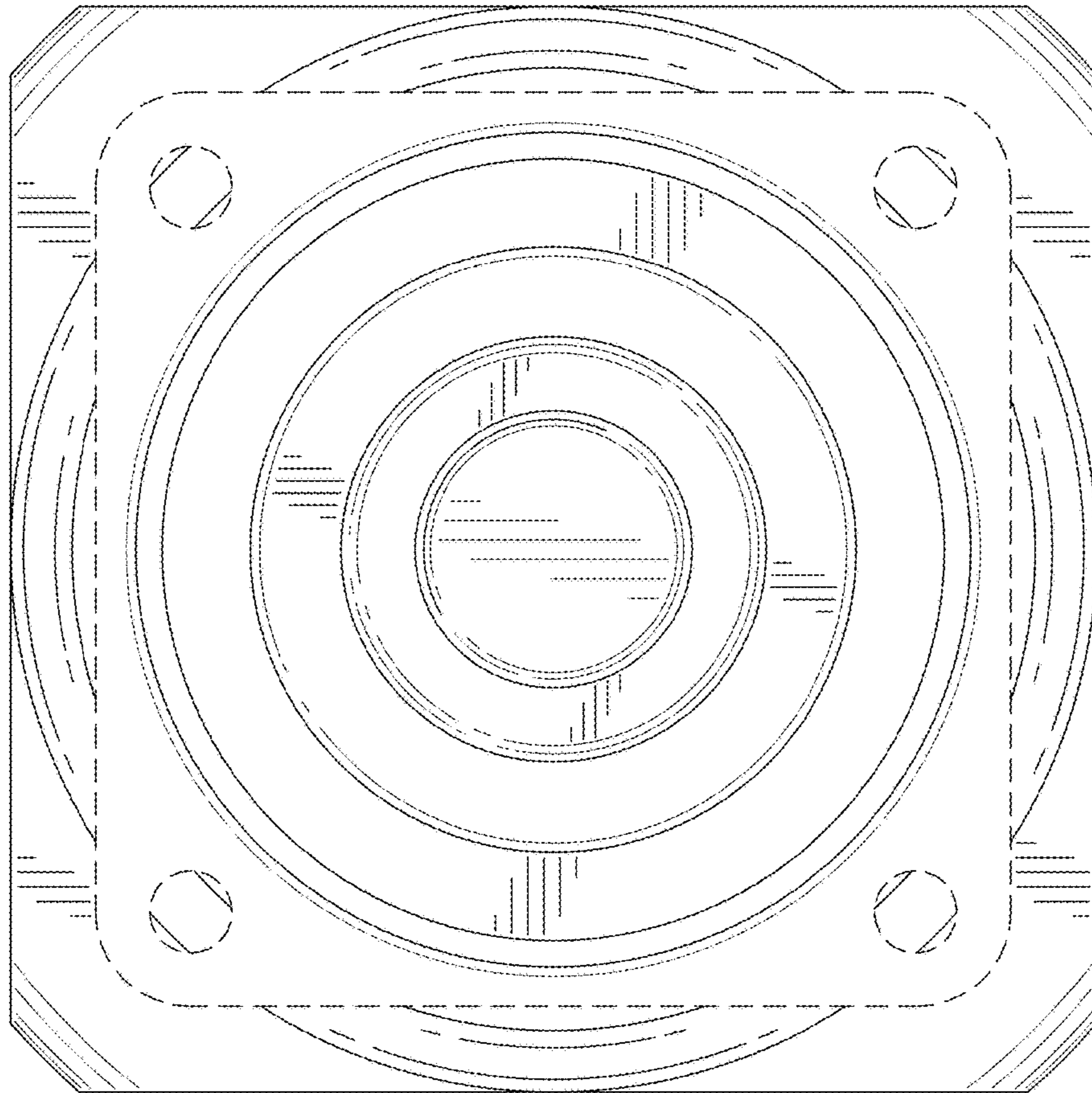


FIG. 6

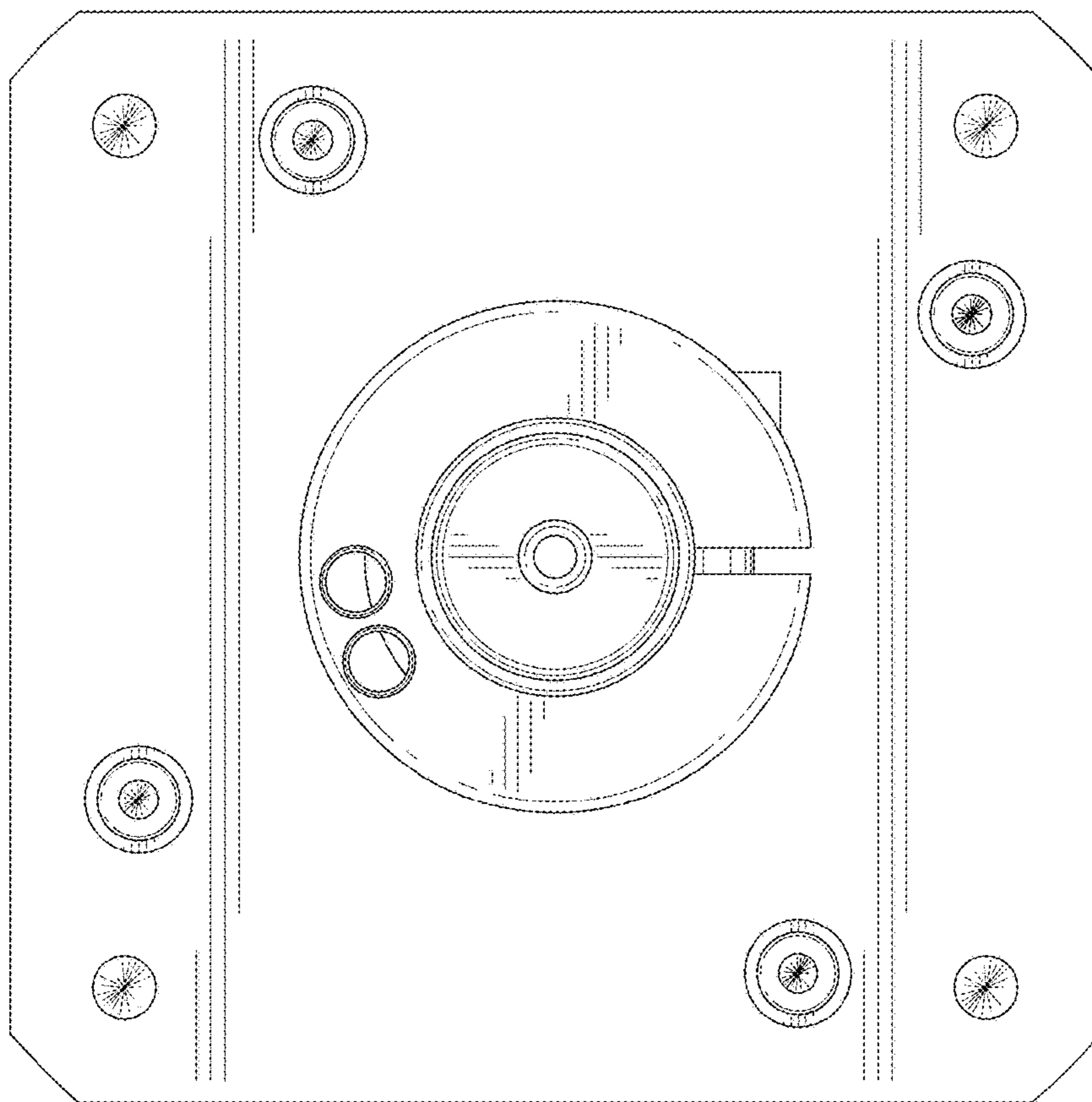


FIG. 7