

US00D821469S

(12) **United States Design Patent**  
**Jeter et al.**

(10) **Patent No.:** **US D821,469 S**  
(45) **Date of Patent:** **\*\* Jun. 26, 2018**

(54) **APPLICATOR COVER**

(71) Applicant: **NORDSON CORPORATION**,  
Westlake, OH (US)  
(72) Inventors: **David R. Jeter**, Woodstock, GA (US);  
**Paula E. Ruse**, Lawrenceville, GA  
(US); **Sheenfar S. Fong**, Suwanee, GA  
(US); **Mark A. Gould**, Gainesville, GA  
(US)  
(73) Assignee: **Nordson Corporation**, Westlake, OH  
(US)

(\*\*) Term: **15 Years**

(21) Appl. No.: **29/601,353**

(22) Filed: **Apr. 21, 2017**

(51) **LOC (11) Cl.** ..... **15-03**

(52) **U.S. Cl.**  
USPC ..... **D15/144.2**

(58) **Field of Classification Search**  
USPC ..... D8/14.1, 70; D15/144.2, 144, 144.1,  
D15/199, 135, 138, 141  
CPC .... B23K 1/0016; B23K 1/0053; B23K 1/008;  
B23K 1/203; B23K 2201/42; B23K  
26/38; B23K 26/382; B23K 35/0227;  
B23K 35/286; B23K 35/3613

See application file for complete search history.

(56) **References Cited**

U.S. PATENT DOCUMENTS

D647,380 S \* 10/2011 Bondeson ..... D8/70  
D658,954 S \* 5/2012 Bondeson ..... D8/14.1  
D678,374 S \* 3/2013 Bondeson ..... D15/144.2  
D687,474 S \* 8/2013 Bondeson ..... D15/144.2  
D693,865 S \* 11/2013 Gould ..... D15/144.2

\* cited by examiner

*Primary Examiner* — Ian Simmons

*Assistant Examiner* — Khawaja Anwar

(74) *Attorney, Agent, or Firm* — Baker & Hostetler LLP

(57) **CLAIM**

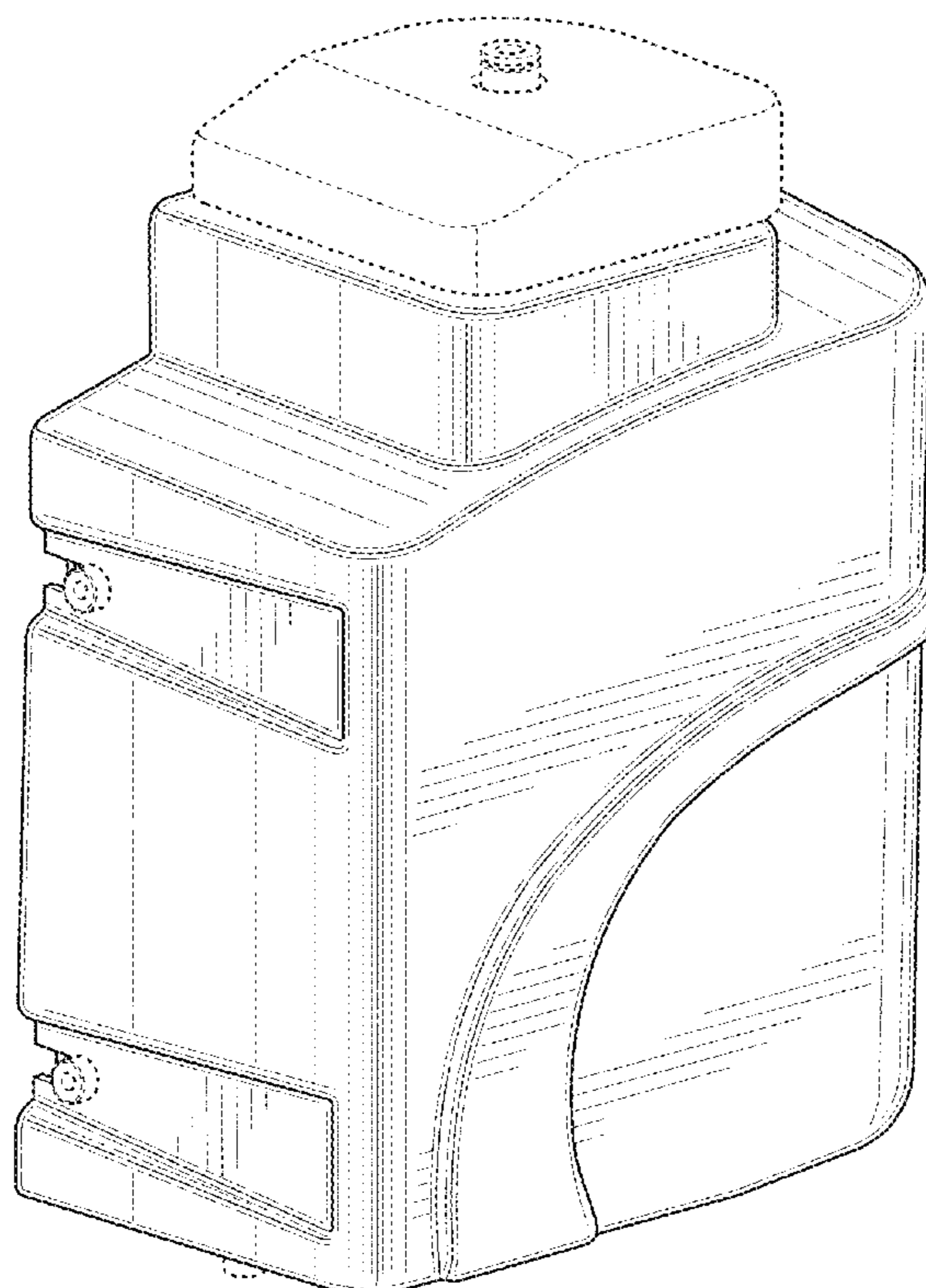
The ornamental design for an applicator cover, as shown and described.

**DESCRIPTION**

FIG. 1 is a top, perspective view of an applicator cover;  
FIG. 2 is a front view thereof;  
FIG. 3 is a rear view thereof;  
FIG. 4 is a left side view thereof;  
FIG. 5 is a right side view thereof;  
FIG. 6 is a top view thereof; and,  
FIG. 7 is a bottom view thereof.

The subject matter shown in dashed lines, and any surfaces of the design not shown, form no part of the claimed invention.

**1 Claim, 7 Drawing Sheets**



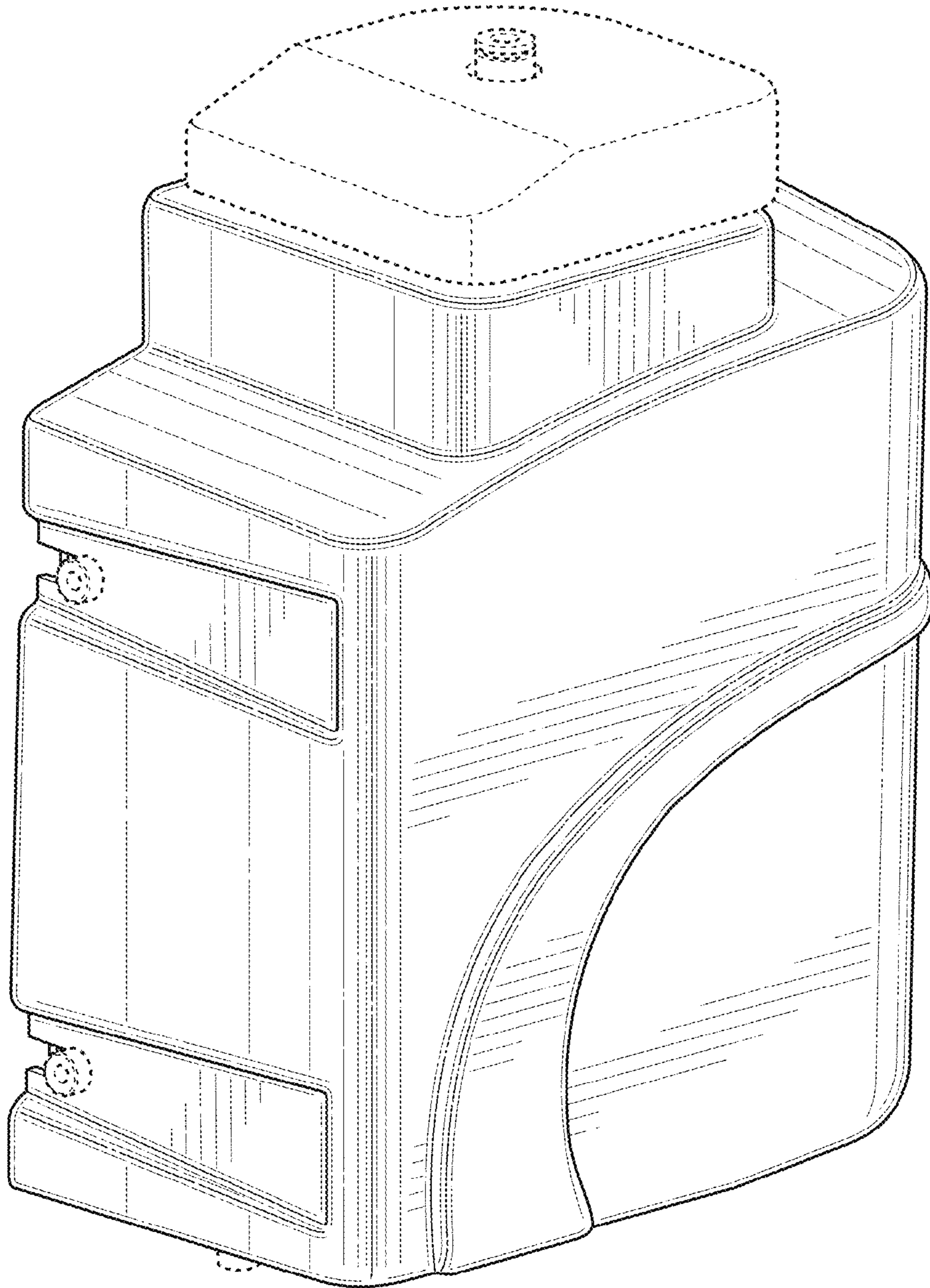


FIG. 1

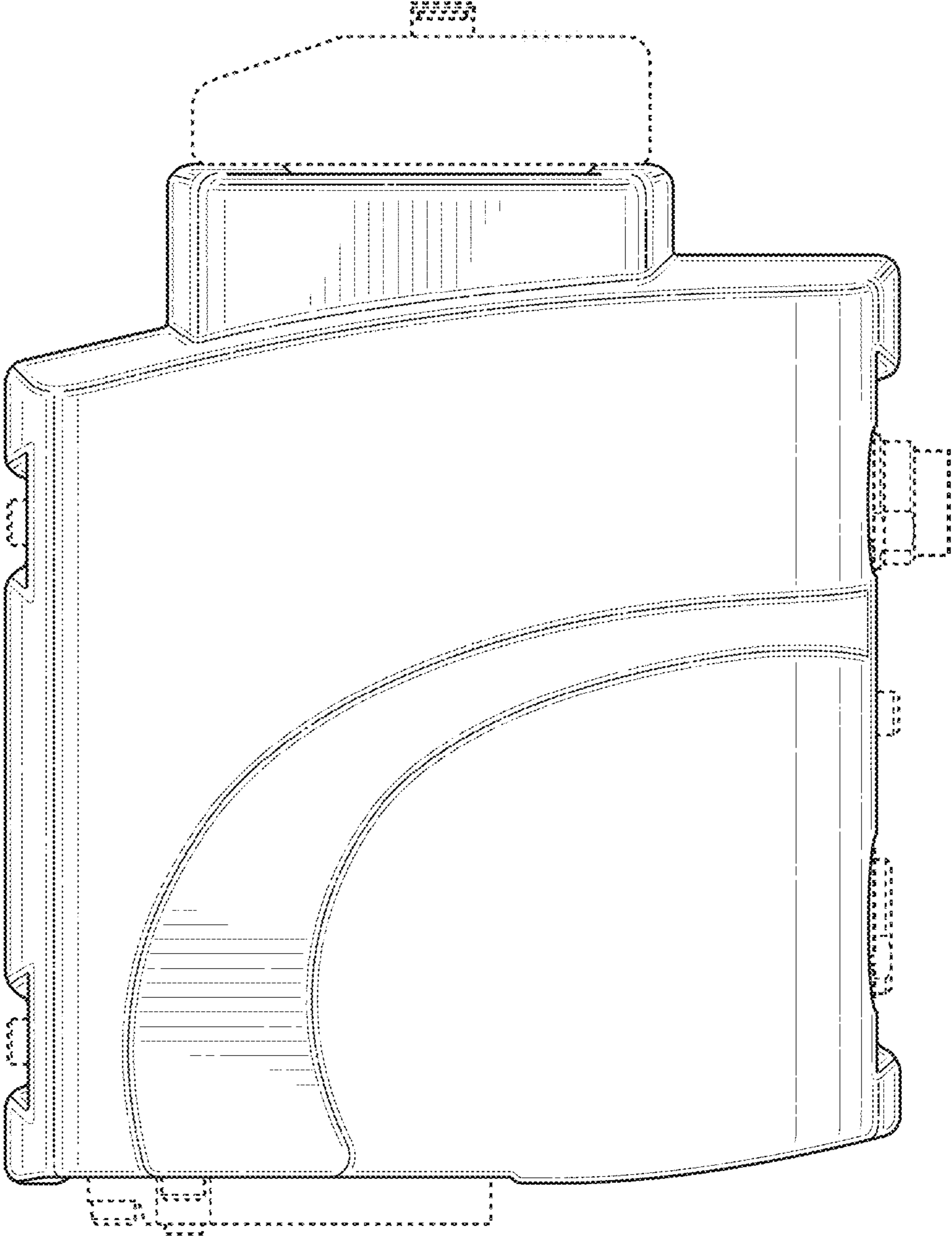


FIG. 2

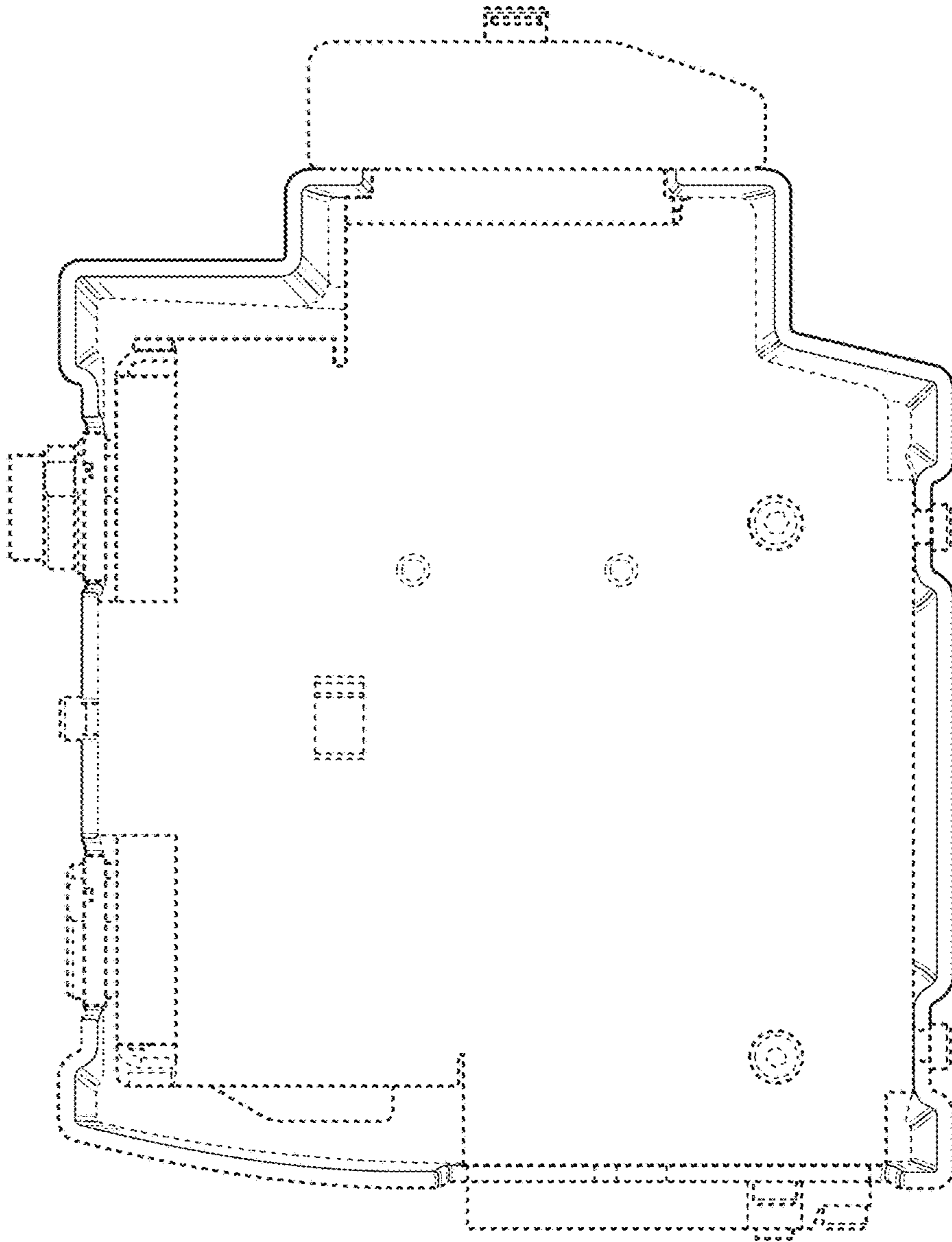


FIG. 3

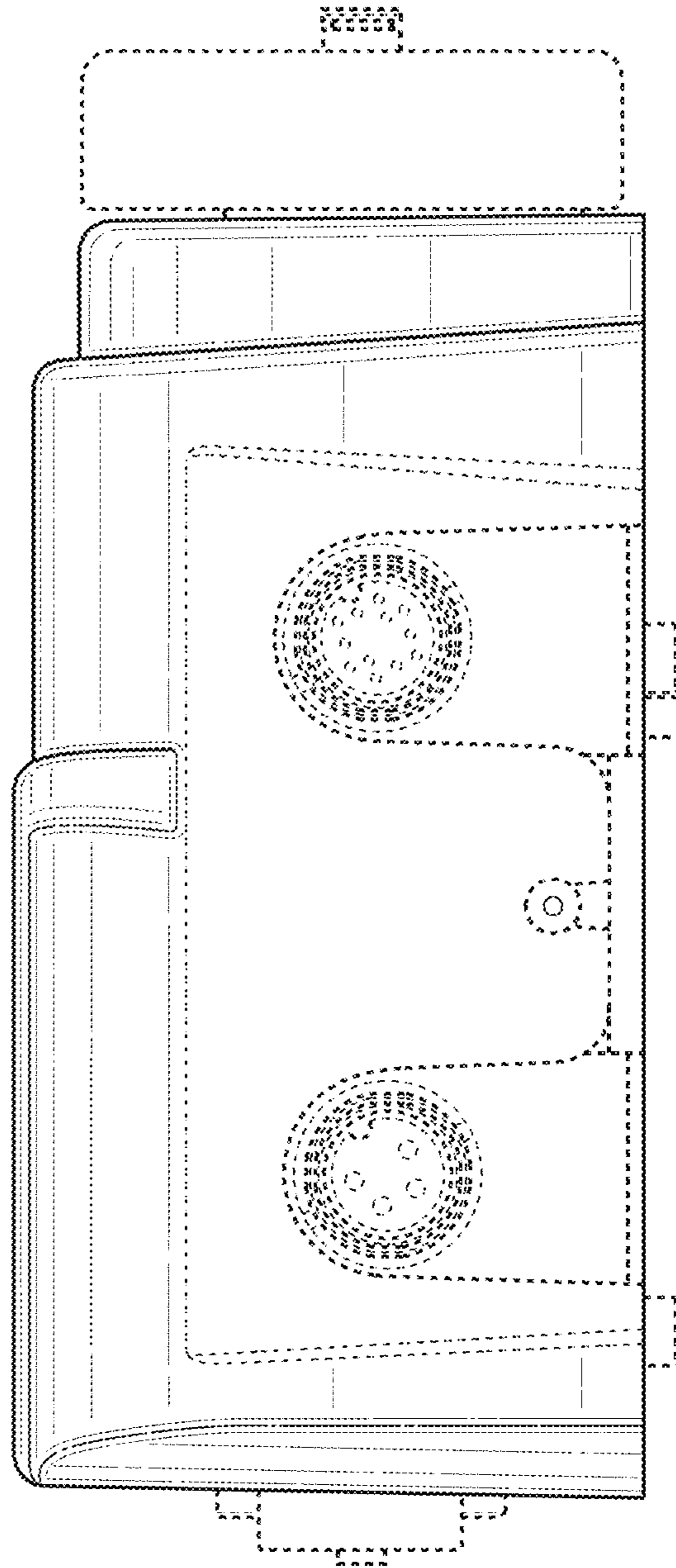


FIG. 4

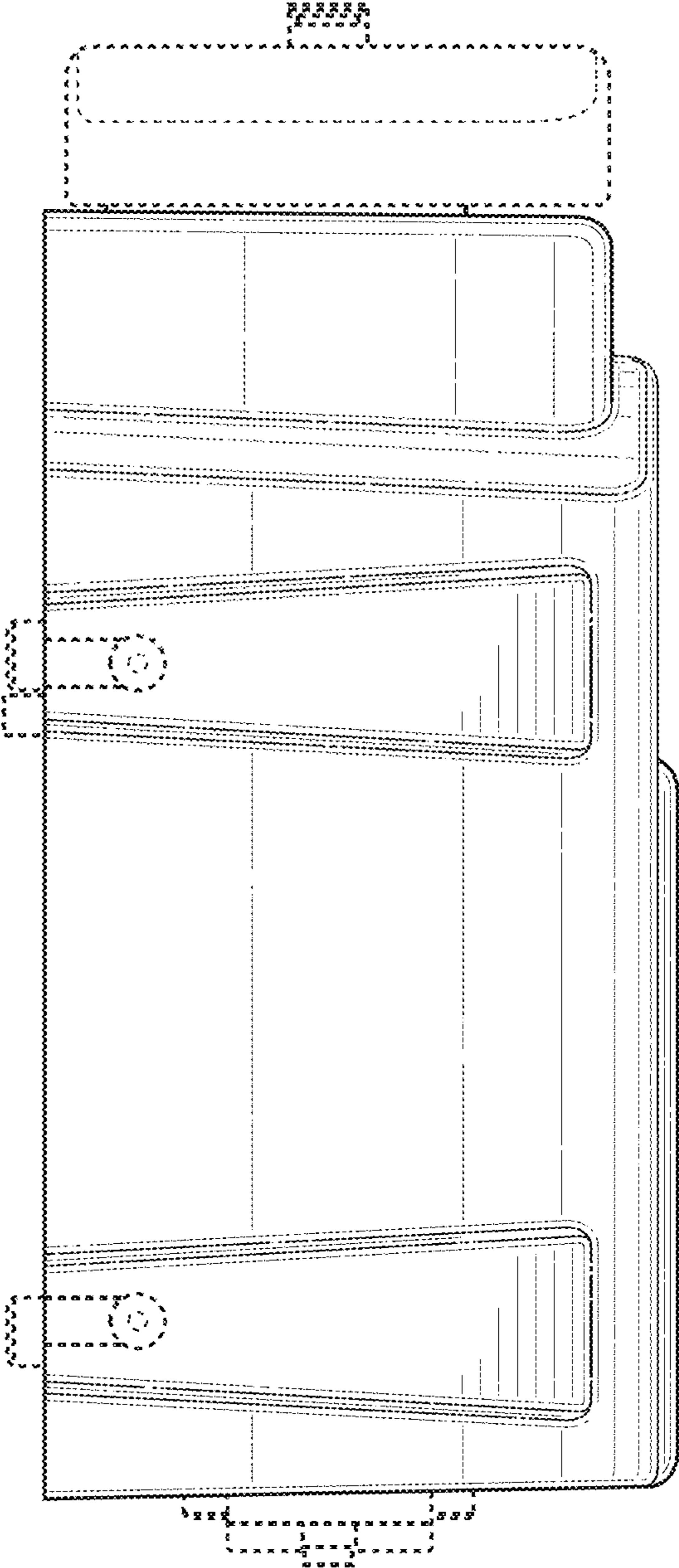


FIG. 5

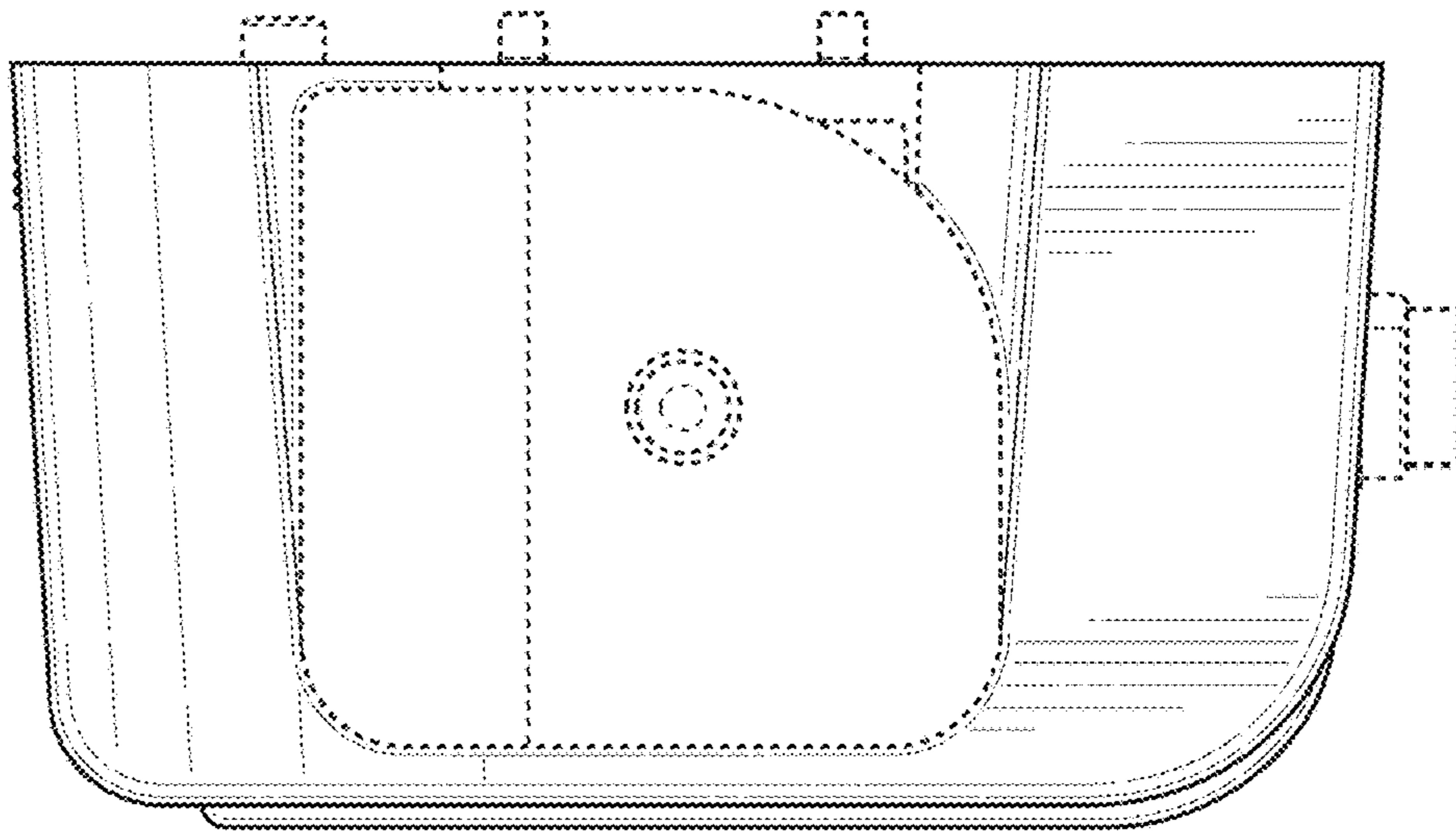


FIG. 6

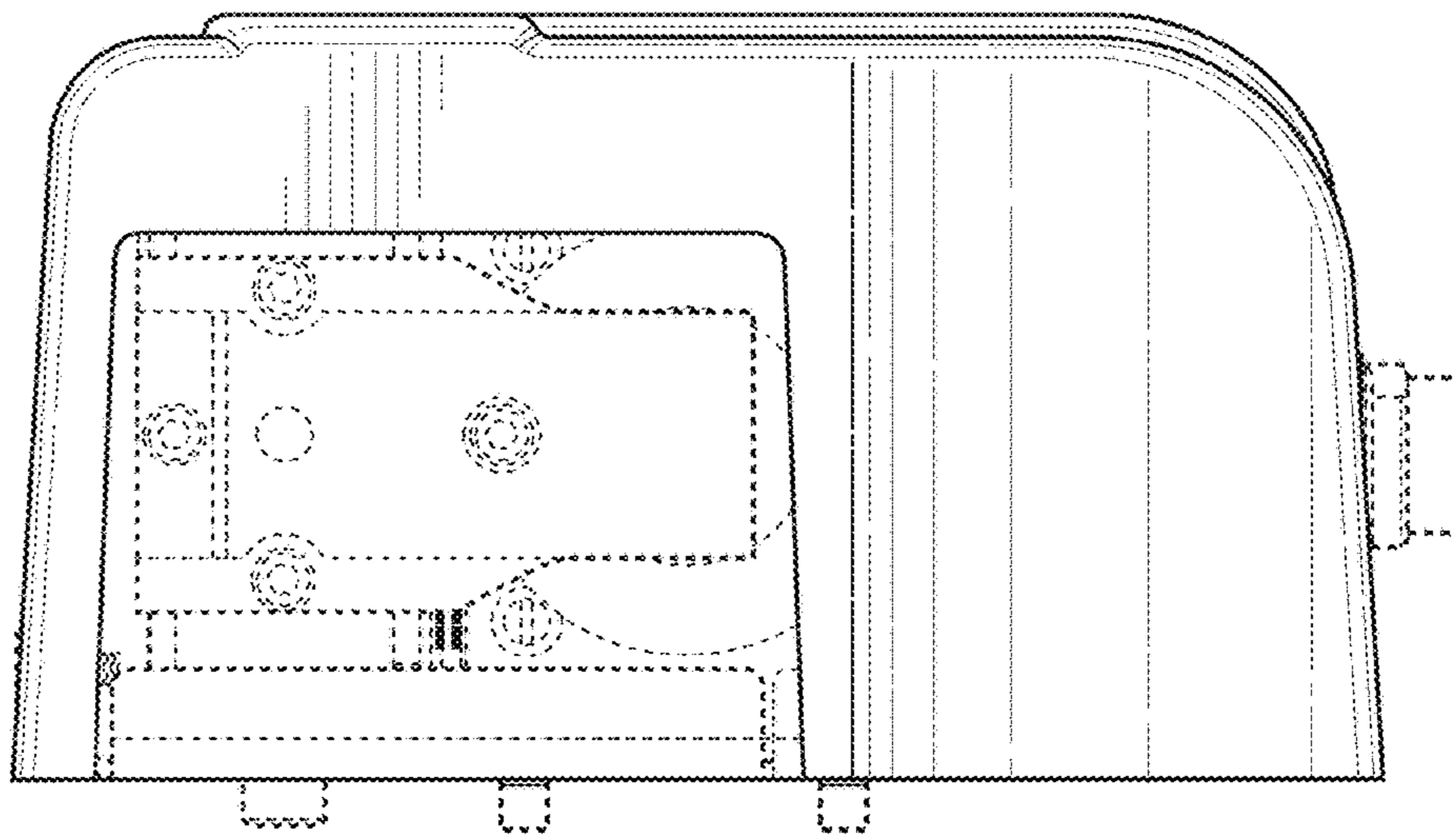


FIG. 7