



US00D821467S

(12) **United States Design Patent** (10) **Patent No.:** **US D821,467 S**
Lin (45) **Date of Patent:** **** Jun. 26, 2018**

(54) **ELECTRIC WELDING MACHINE**

(71) Applicant: **Yang Lin**, Taizhou (CN)

(72) Inventor: **Yang Lin**, Taizhou (CN)

(**) Term: **15 Years**

(21) Appl. No.: **29/585,741**

(22) Filed: **Nov. 28, 2016**

(30) **Foreign Application Priority Data**

Jul. 30, 2016 (CN) 2016 3 0358487

(51) **LOC (11) Cl.** **15-09**

(52) **U.S. Cl.**
USPC **D15/144**

(58) **Field of Classification Search**
USPC D8/29.1, 30; D13/123, 133, 144;
D15/144, 144.1, 144.2
CPC B23K 9/32; B23K 9/028; B23K 9/1006;
B23K 9/1735; B23K 11/28; B23K 37/053
See application file for complete search history.

(56) **References Cited**

U.S. PATENT DOCUMENTS

- D275,292 S * 8/1984 Bouman D15/144
- 4,496,822 A * 1/1985 Jegers B23K 37/02
219/125.1
- D280,329 S * 8/1985 Bouman D15/144
- 6,531,683 B1 * 3/2003 Lawrence B23K 9/133
219/125.1
- 6,590,184 B1 * 7/2003 Andersen B23K 7/10
219/136
- 6,596,972 B1 * 7/2003 Di Novo B23K 9/32
219/136
- D631,074 S * 1/2011 Peters D15/144
- D742,444 S * 11/2015 Leach D15/144
- D772,965 S * 11/2016 Westlake D15/144
- RE46,313 E * 2/2017 Johnson D15/144

- 9,756,456 B2 * 9/2017 Dina H04W 4/008
- 2003/0213789 A1 * 11/2003 Andersen B23K 9/10
219/130.1
- 2006/0043082 A1 * 3/2006 Martin B23K 9/32
219/130.5
- 2007/0090163 A1 * 4/2007 Di Novo B23K 9/1006
228/101
- 2008/0135695 A1 * 6/2008 Ertmer B23K 9/32
248/154
- 2009/0230118 A1 * 9/2009 Romenesko B23K 9/327
219/520
- 2011/0030723 A1 * 2/2011 Langeder B08B 7/00
134/1
- 2011/0095009 A1 * 4/2011 Kindig B23K 9/10
219/130.1
- 2012/0241417 A1 * 9/2012 Mehn B23K 9/0956
219/108
- 2013/0048699 A1 * 2/2013 Fuerlinger B23K 9/122
228/41

(Continued)

Primary Examiner — Patricia A Palasik

(74) *Attorney, Agent, or Firm* — Sarika Singh; McNeely, Hare & War LLP

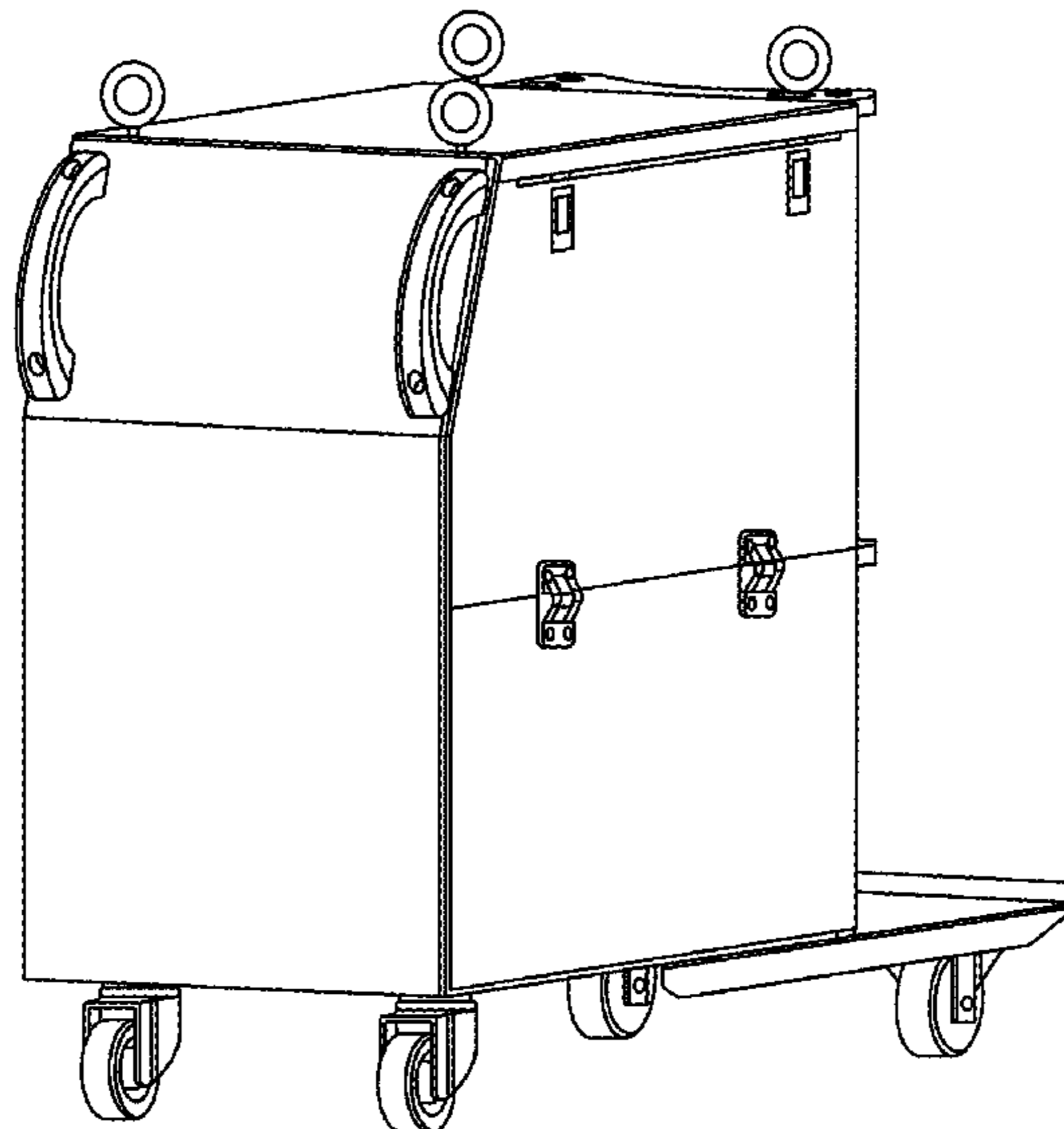
(57) **CLAIM**

The ornamental design for an electric welding machine, as shown and described.

DESCRIPTION

FIG. 1 is a front view of an electric welding machine showing my new design;
FIG. 2 is a back view thereof;
FIG. 3 is a left view thereof;
FIG. 4 is a right view thereof;
FIG. 5 is a top view thereof;
FIG. 6 is a bottom view thereof; and,
FIG. 7 is a perspective view thereof.
The broken lines in the drawings depict unclaimed environmental subject matter.

1 Claim, 6 Drawing Sheets



(56)

References Cited

U.S. PATENT DOCUMENTS

2016/0016248 A1* 1/2016 Susin G08B 6/00
219/130.01
2017/0129035 A1* 5/2017 Westlake B23K 9/1006
2017/0144242 A1* 5/2017 McQueen B23K 9/044

* cited by examiner

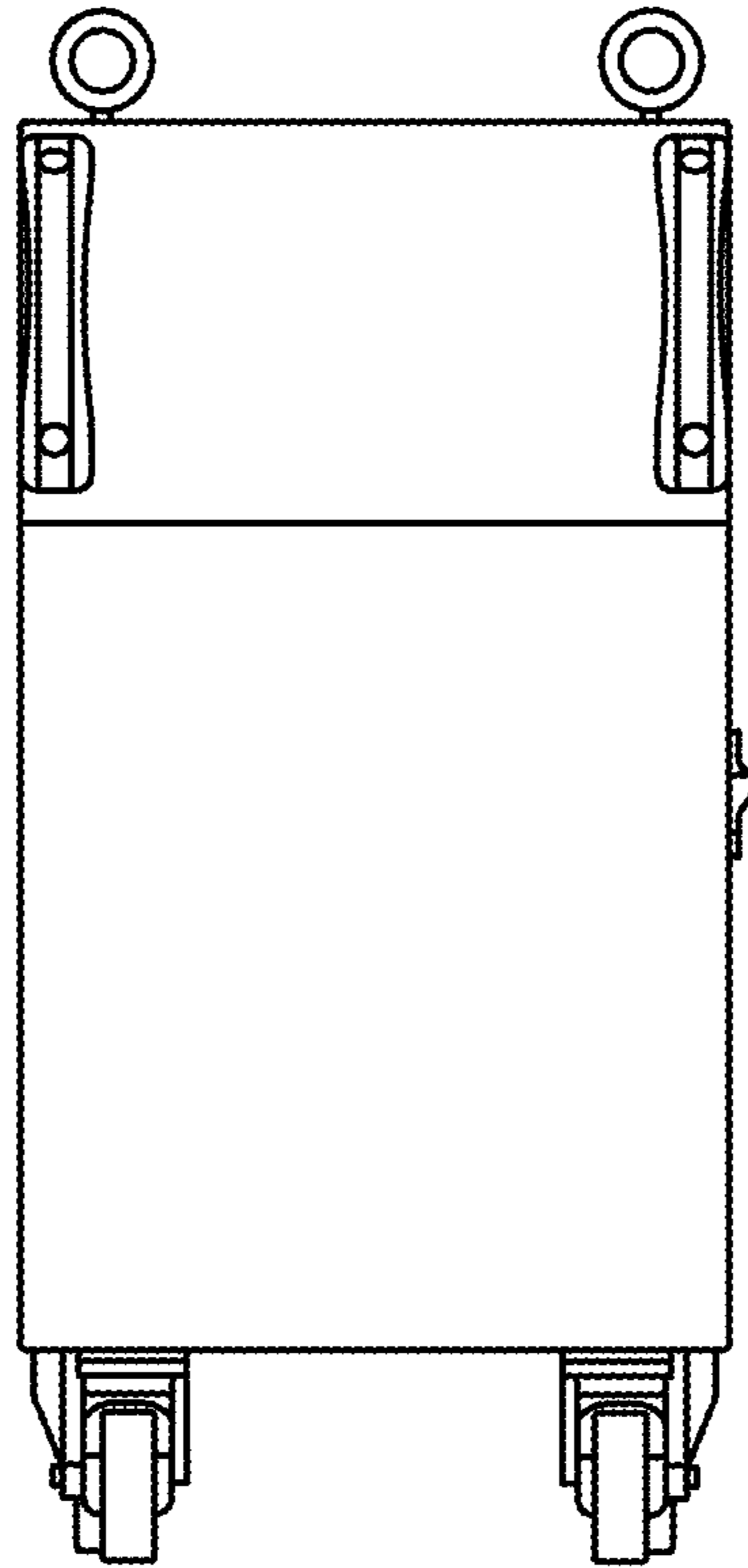


FIG. 1

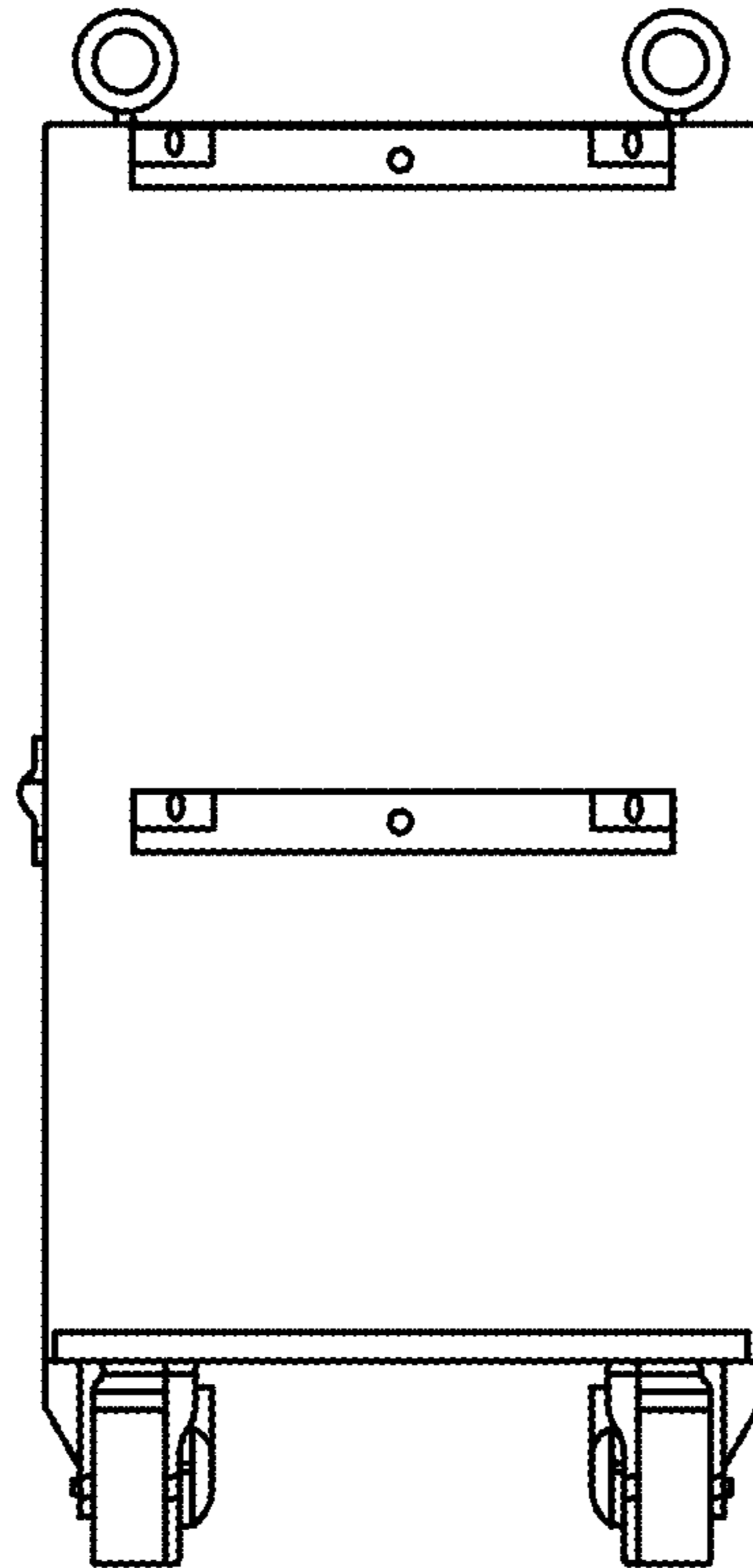


FIG. 2

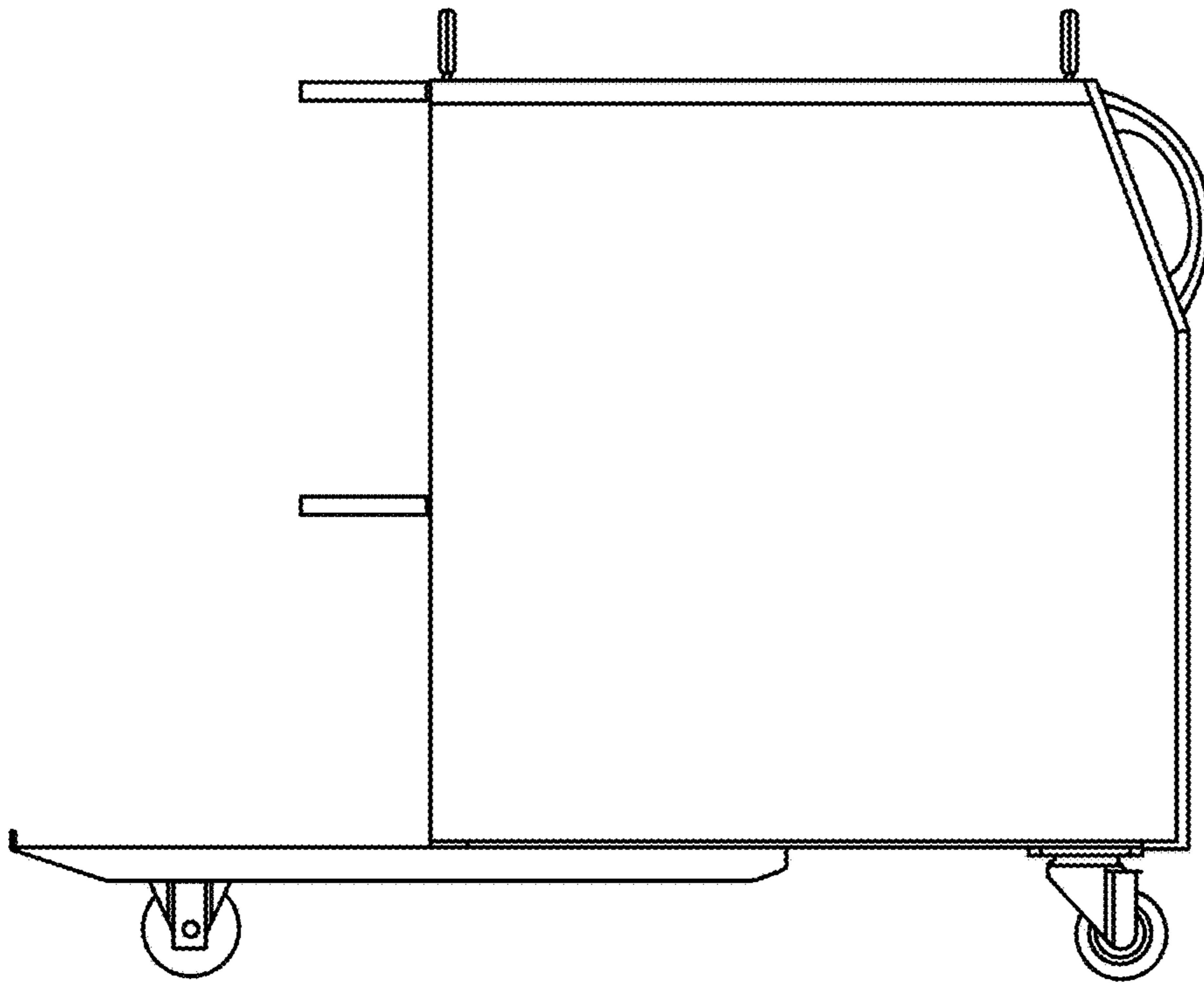


FIG. 3

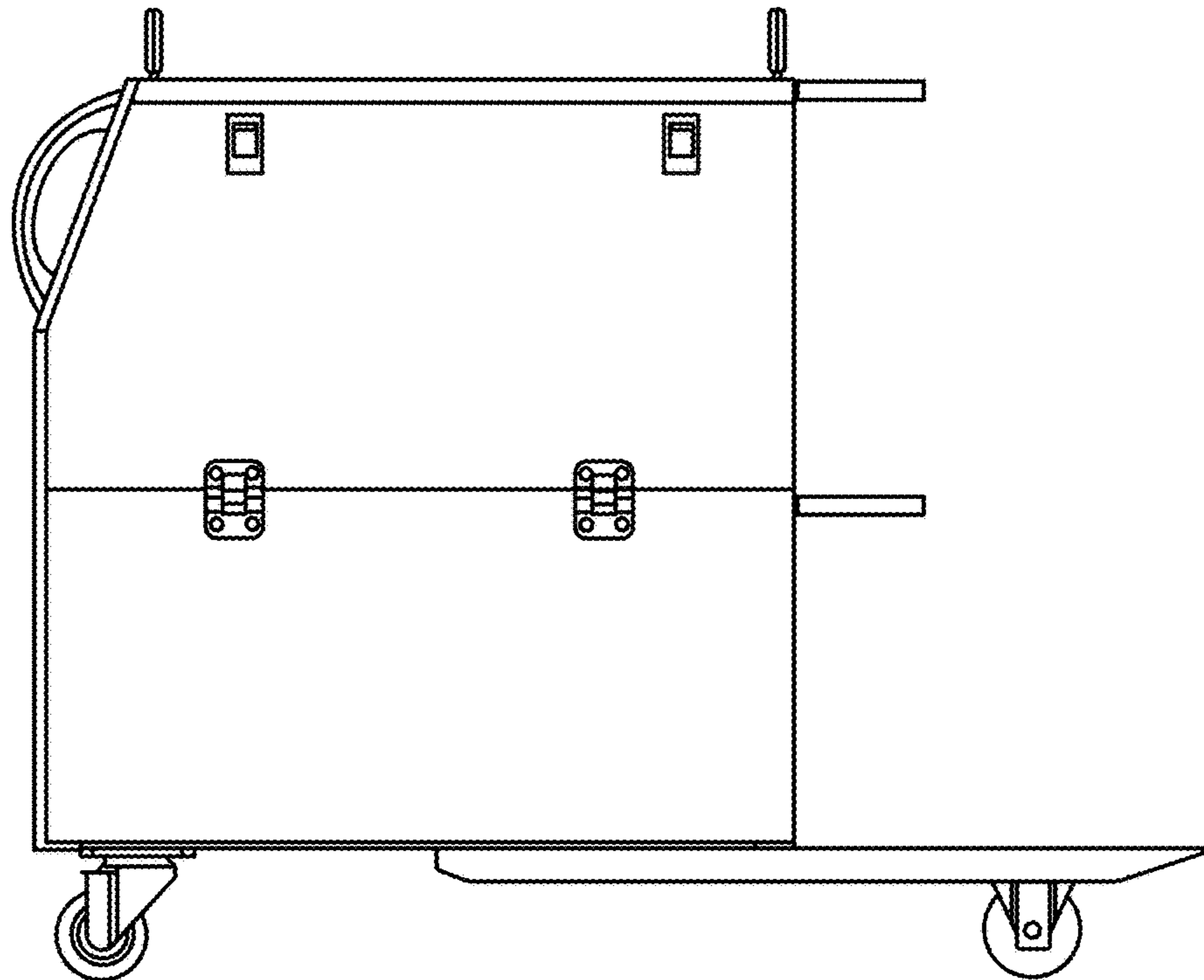


FIG. 4

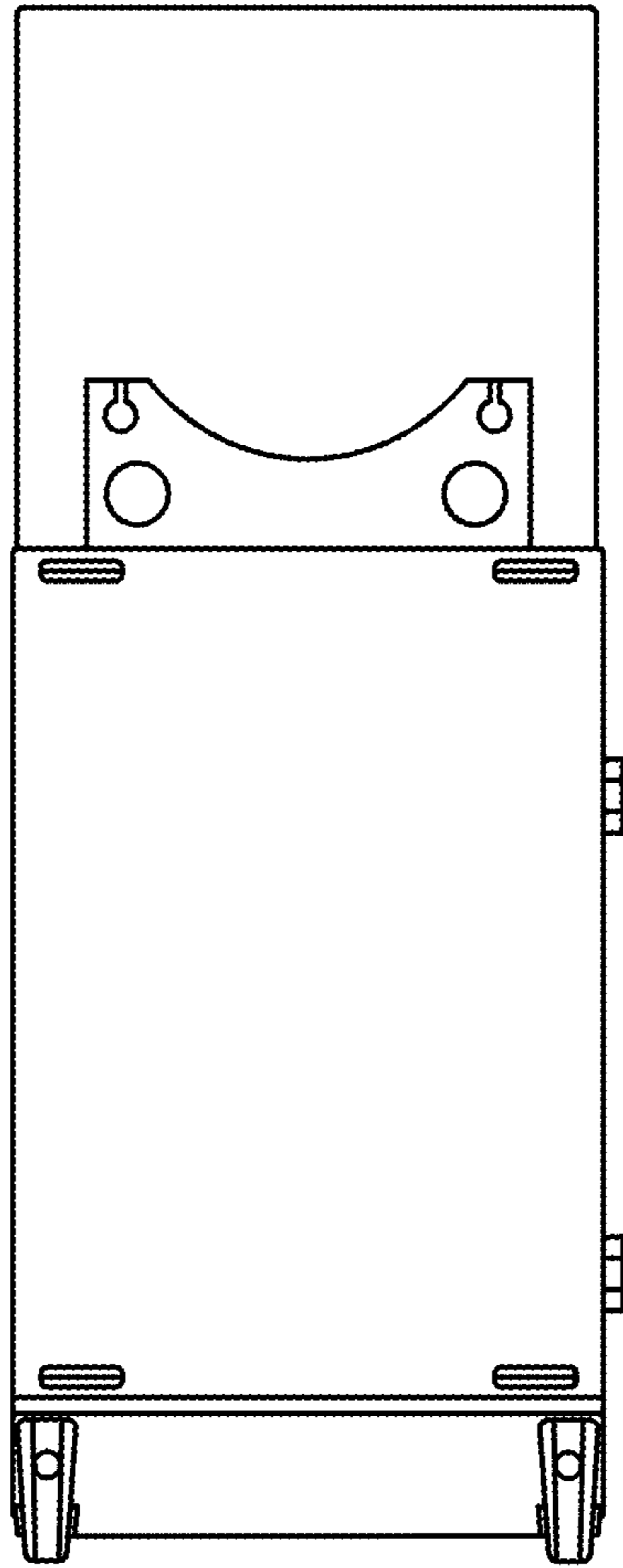


FIG. 5

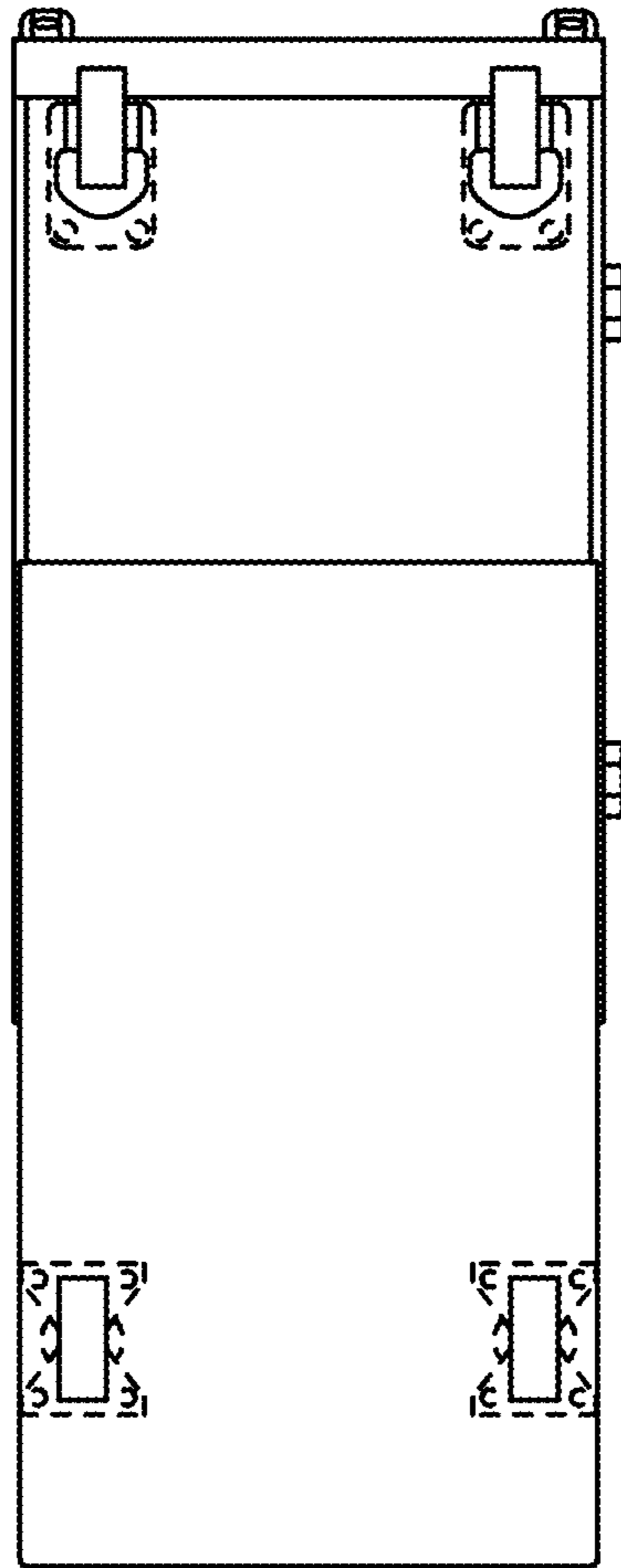


FIG. 6

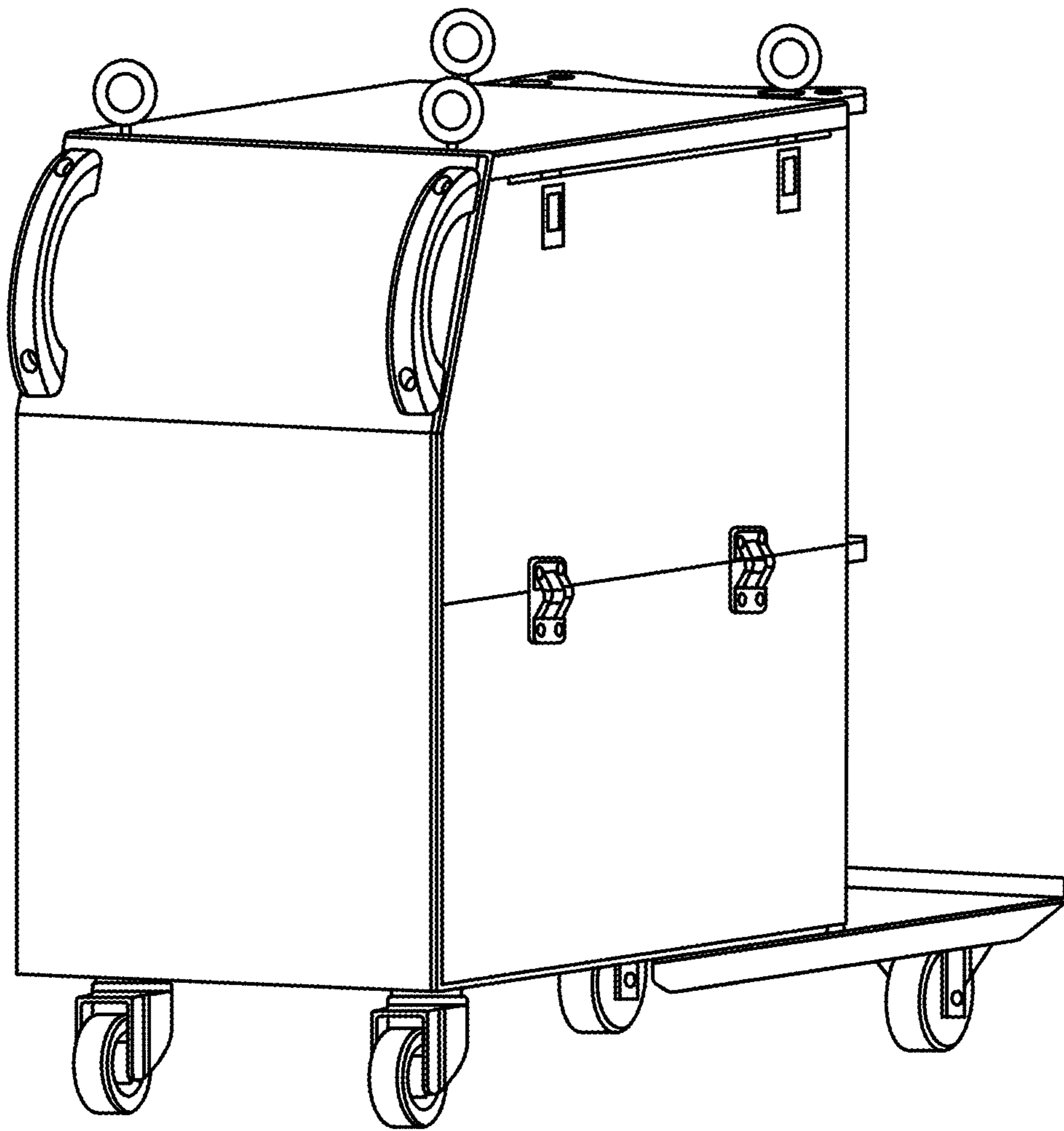


FIG. 7