



US00D821465S

(12) **United States Design Patent** (10) **Patent No.:** **US D821,465 S**
Lin (45) **Date of Patent:** **** Jun. 26, 2018**

(54) **ELECTRIC WELDING MACHINE**

(71) Applicant: **Yang Lin**, Taizhou (CN)

(72) Inventor: **Yang Lin**, Taizhou (CN)

(**) Term: **15 Years**

(21) Appl. No.: **29/585,734**

(22) Filed: **Nov. 28, 2016**

(30) **Foreign Application Priority Data**

Jul. 30, 2016 (CN) 2016 3 0358470

(51) **LOC (11) Cl.** **15-09**

(52) **U.S. Cl.**
USPC **D15/144**

(58) **Field of Classification Search**
USPC D8/29.1, 30; D15/144, 144.1, 144.2
CPC B23K 9/32; B23K 9/028; B23K 9/1006;
B23K 9/1735; B23K 11/28; B23K 37/053
See application file for complete search history.

(56) **References Cited**

U.S. PATENT DOCUMENTS

- D243,459 S * 2/1977 Bliss D15/144
- 5,642,260 A * 6/1997 Sigl B23K 9/32
174/16.1
- 5,734,148 A * 3/1998 Latvis B23K 9/32
219/133
- D416,030 S * 11/1999 Weller D15/144.1
- 6,163,085 A * 12/2000 Sigl B23K 9/32
307/43
- D467,257 S * 12/2002 Andersson D15/144
- 6,489,591 B1 * 12/2002 Achtner B23K 9/32
219/130.1
- D520,038 S * 5/2006 Ljungfeldt D15/144.1
- D569,884 S * 5/2008 Shu D15/144
- D626,576 S * 11/2010 Gramatyka D15/144
- D665,833 S * 8/2012 Raymond D15/144

- 9,636,768 B2 * 5/2017 Rozmarynowski B23K 10/00
- 2004/0026393 A1 * 2/2004 Matiash B23K 9/124
219/137.2
- 2005/0045608 A1 * 3/2005 Sykes B23K 9/1006
219/130.5
- 2005/0263514 A1 * 12/2005 Albrecht B23K 9/1006
219/133
- 2006/0274499 A1 * 12/2006 Andersen B23K 9/32
361/688
- 2007/0235428 A1 * 10/2007 Schneider B23K 9/013
219/121.54
- 2009/0101630 A1 * 4/2009 Trinkner B23K 9/1006
219/133
- 2009/0159581 A1 * 6/2009 Sommerfeld B23K 9/32
219/133
- 2009/0188902 A1 * 7/2009 Swartz B23K 9/32
219/130.1
- 2010/0314372 A1 * 12/2010 DuVal B23K 9/1006
219/133
- 2011/0198330 A1 * 8/2011 Knoener B23K 9/10
219/130.31

(Continued)

Primary Examiner — Patricia A Palasik
(74) *Attorney, Agent, or Firm* — Sarika Singh; McNeely, Hare & War LLP

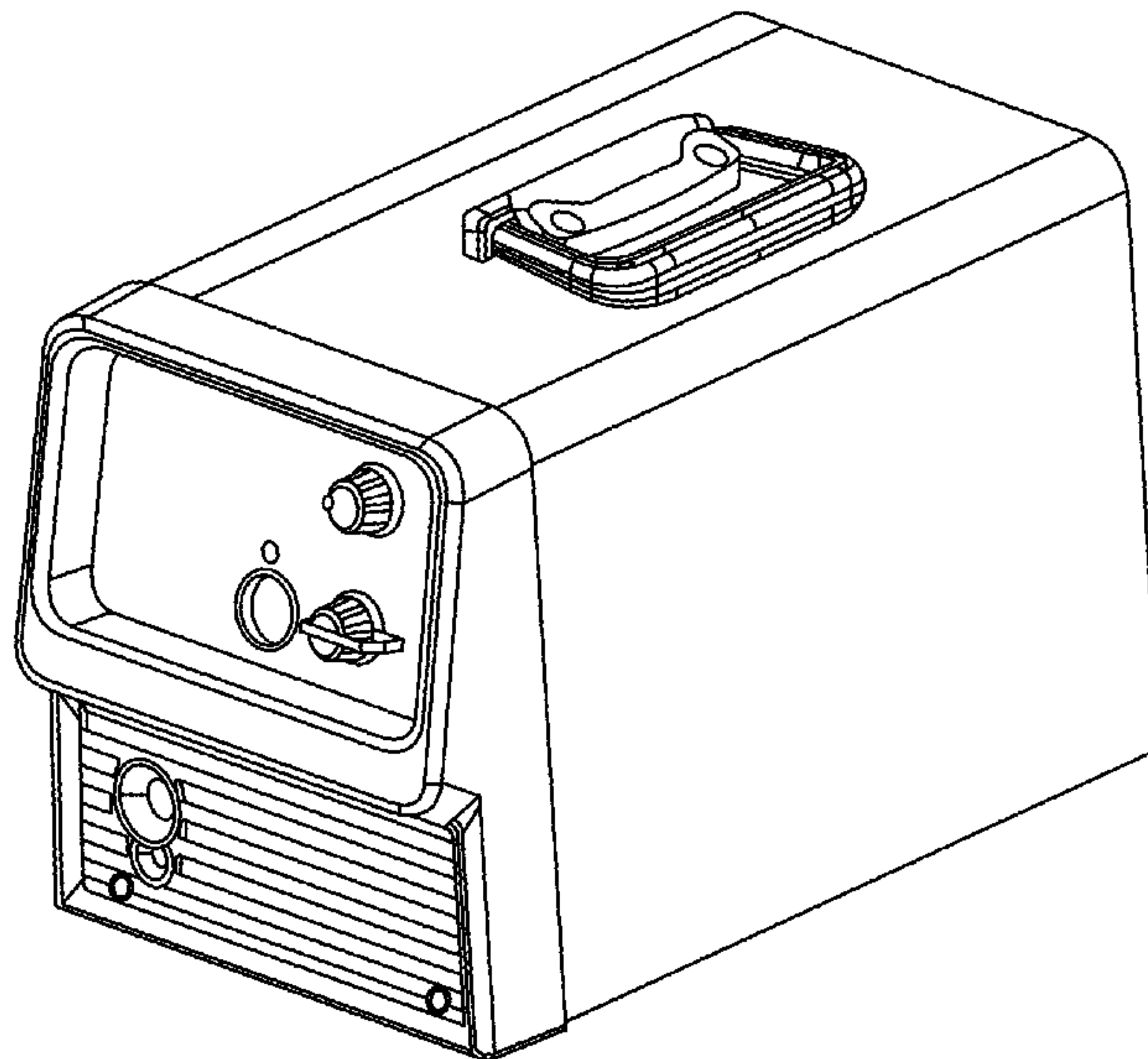
(57) **CLAIM**

The ornamental design for an electric welding machine, as shown and described.

DESCRIPTION

FIG. 1 is a front view of an electric welding machine showing my new design;
FIG. 2 is a back view thereof;
FIG. 3 is a left view thereof;
FIG. 4 is a right view thereof;
FIG. 5 is a top view thereof;
FIG. 6 is a bottom view thereof; and,
FIG. 7 is a perspective view thereof.

1 Claim, 5 Drawing Sheets



(56)

References Cited

U.S. PATENT DOCUMENTS

2014/0061169 A1* 3/2014 Sammons B23K 9/1006
219/109
2014/0376186 A1* 12/2014 Sigl B23K 9/32
361/695
2015/0273607 A1* 10/2015 Denis B23K 9/1006
219/133
2017/0036290 A1* 2/2017 Enyedy B23K 9/1006

* cited by examiner

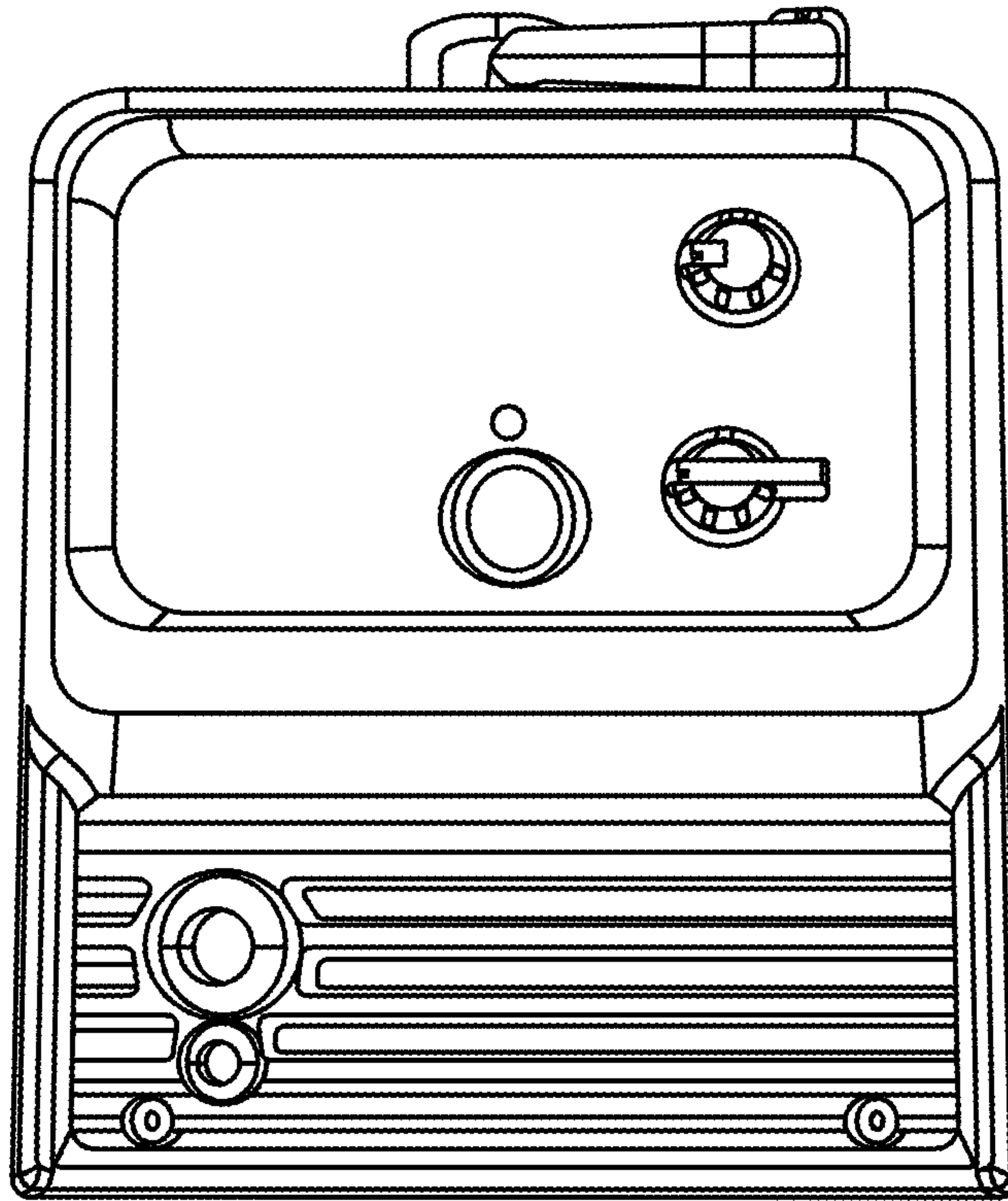


FIG. 1

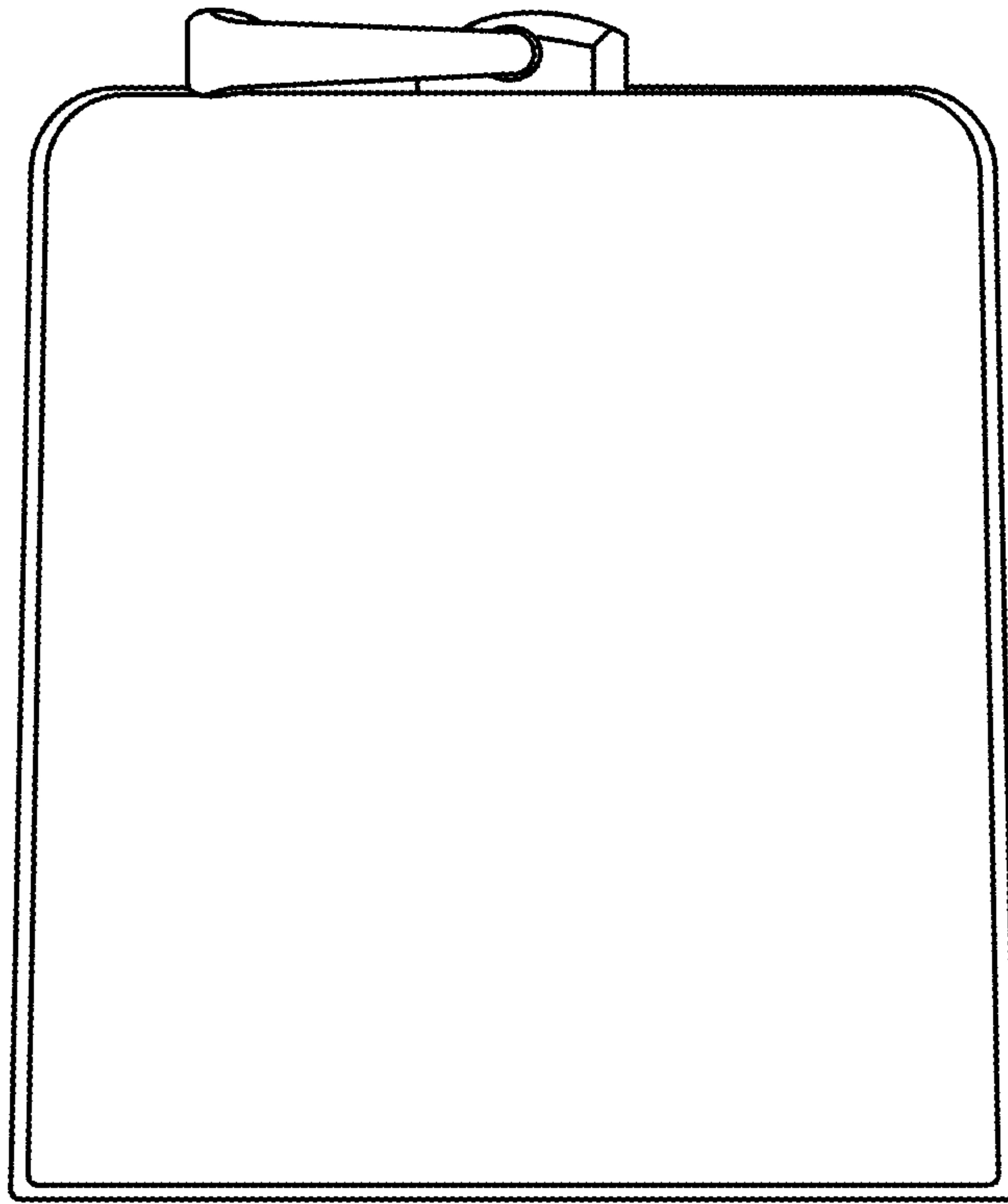


FIG. 2

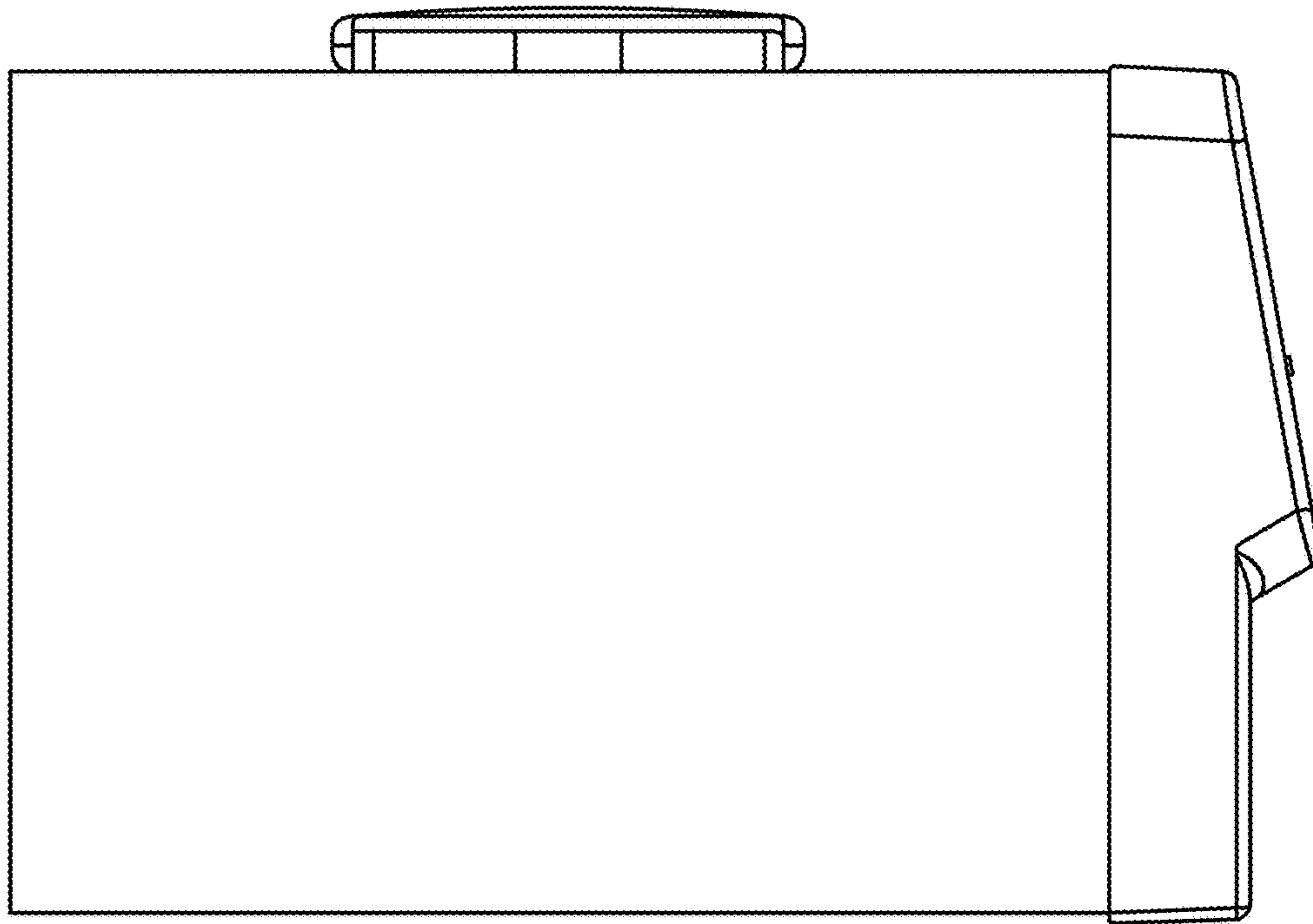


FIG. 3

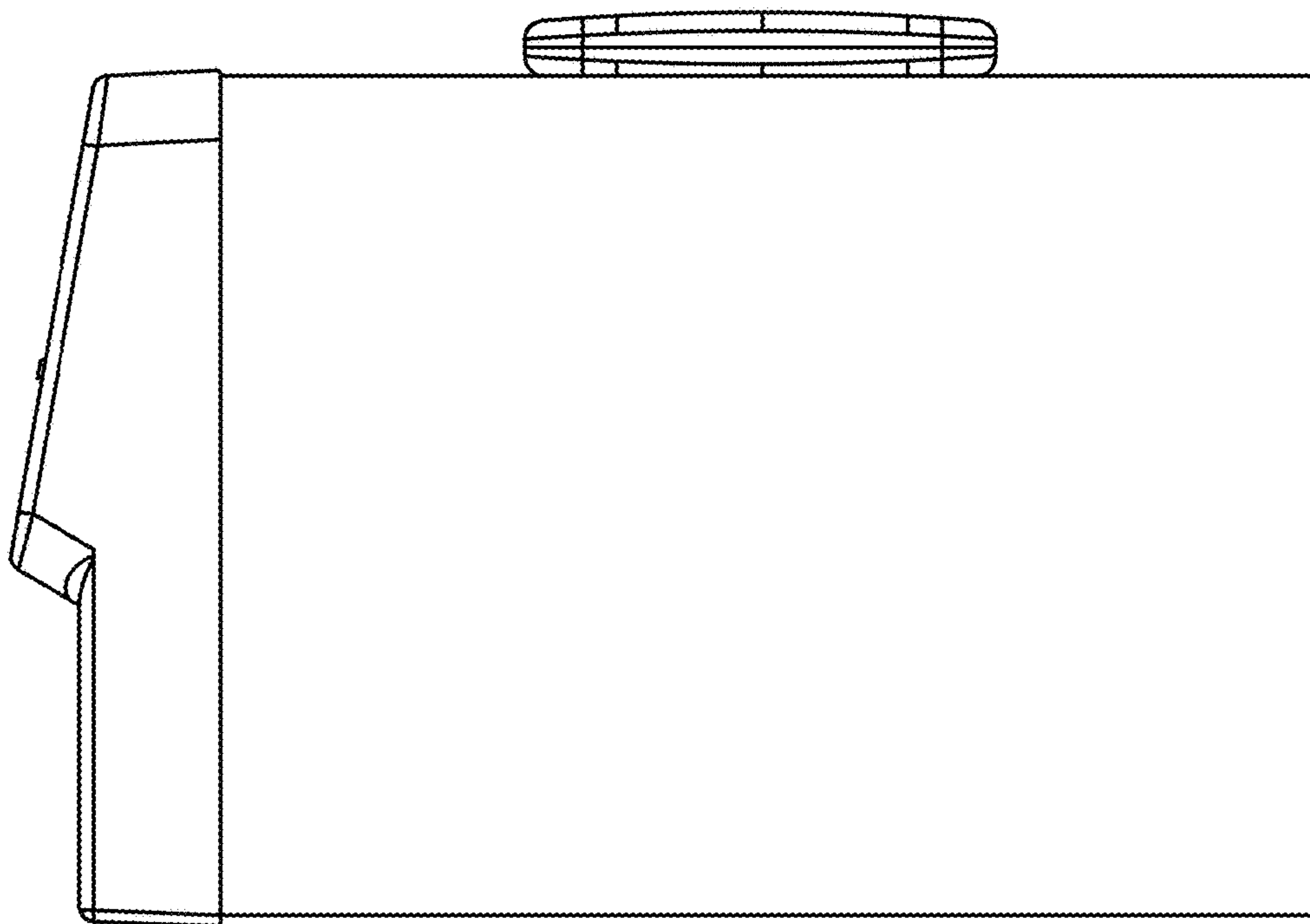


FIG. 4

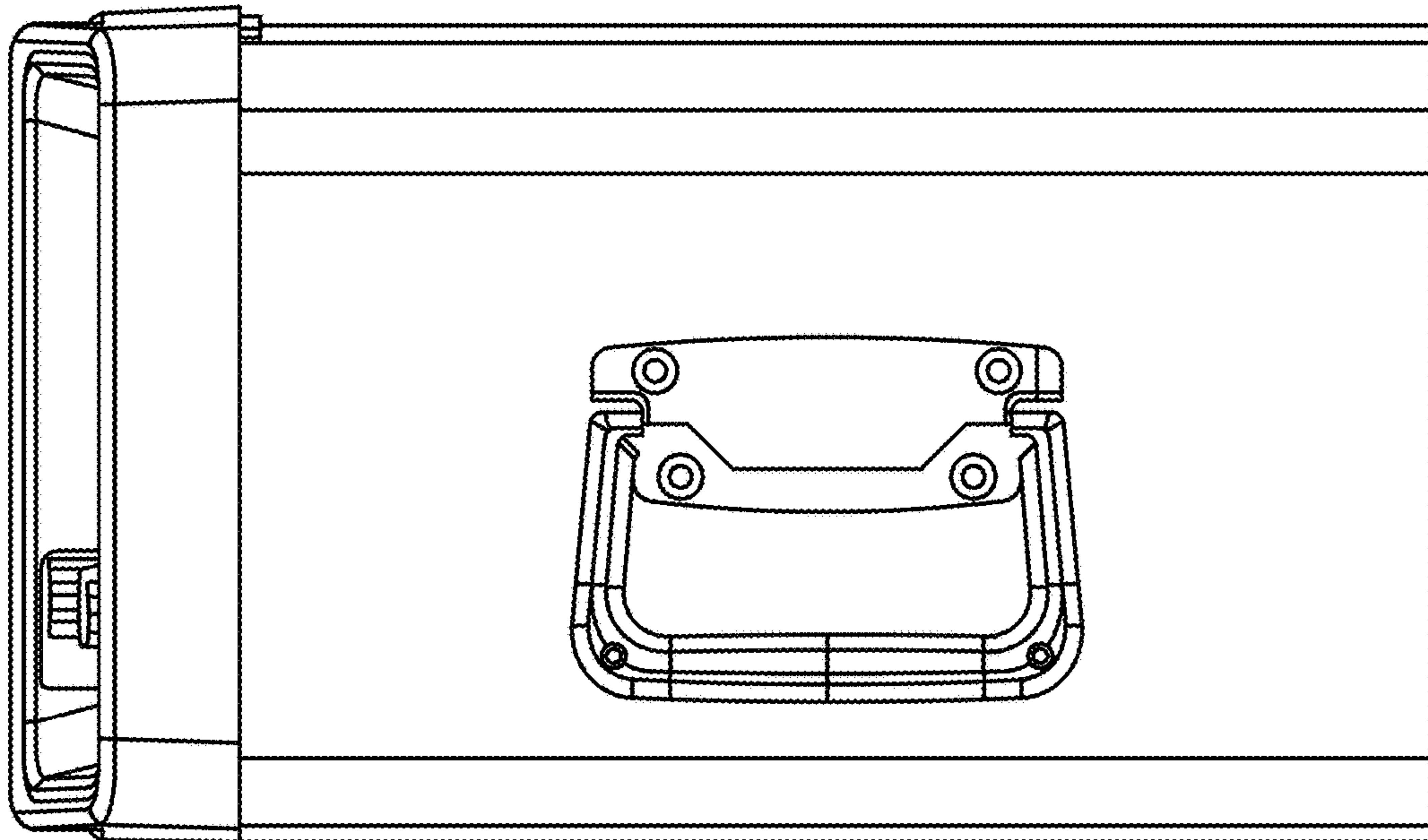


FIG. 5

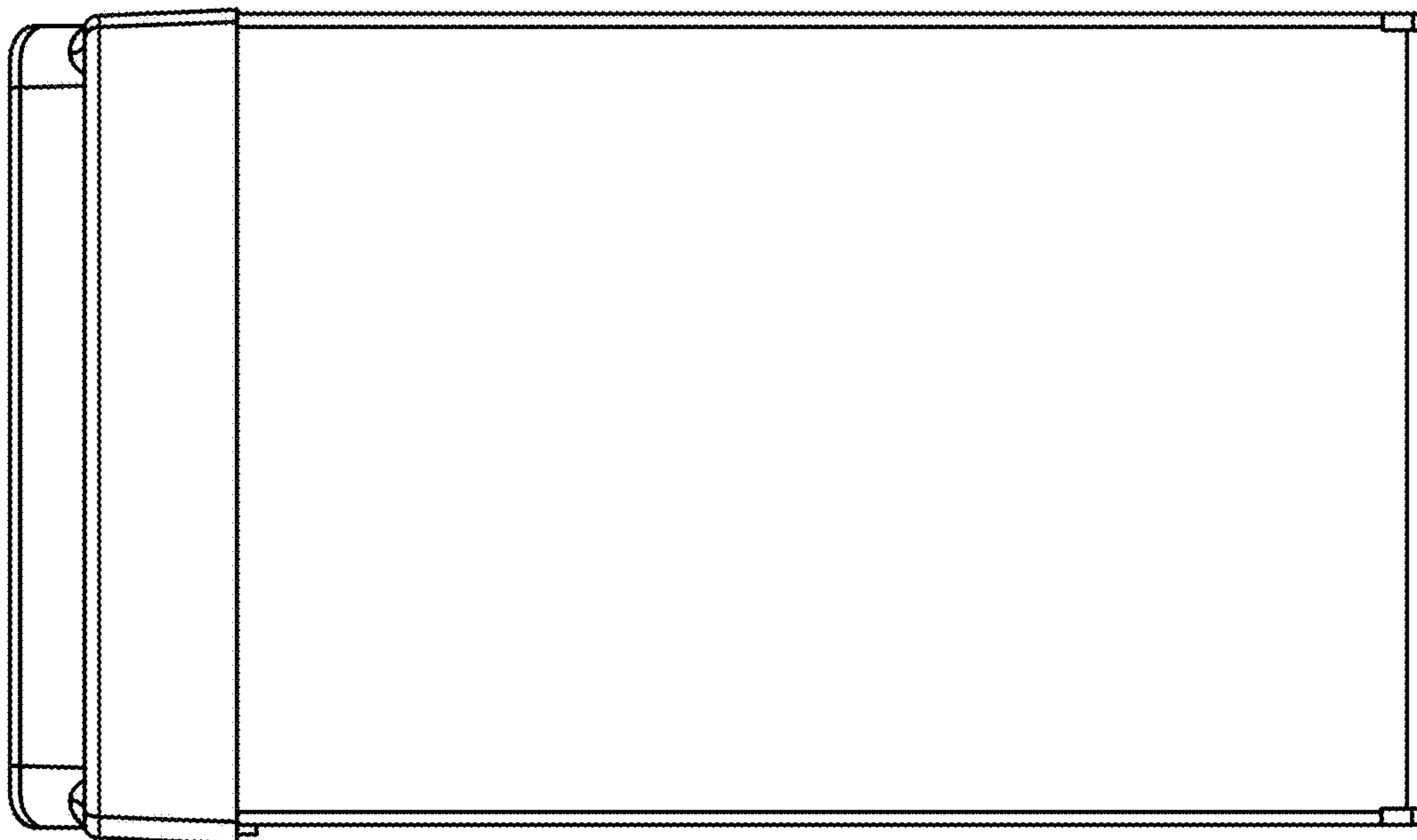


FIG. 6

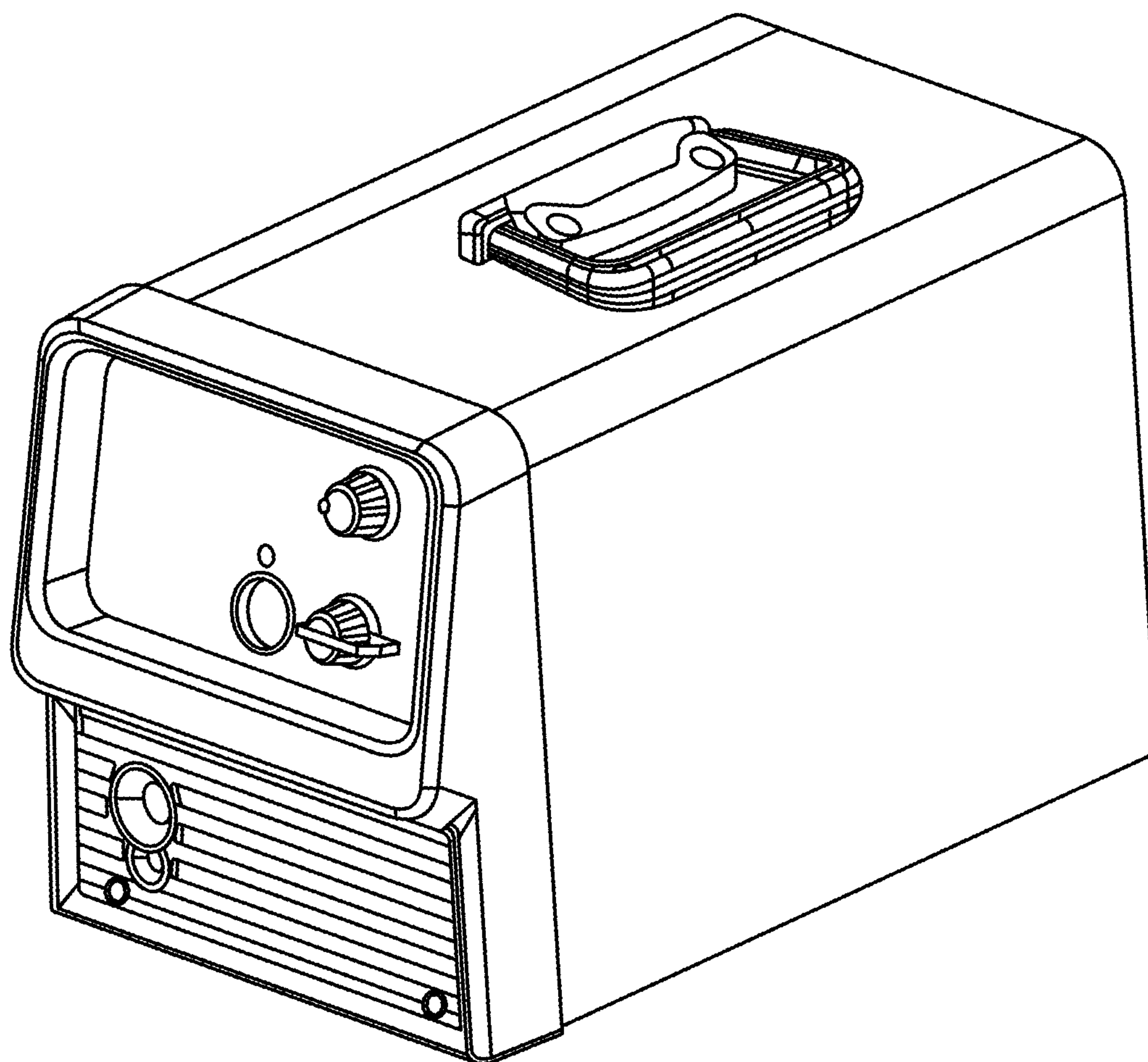


FIG. 7