



US00D821464S

(12) **United States Design Patent** (10) **Patent No.:** **US D821,464 S**
Lin (45) **Date of Patent:** **** Jun. 26, 2018**

(54) **ELECTRIC WELDING MACHINE**

(71) Applicant: **Yang Lin**, Wenling, Taizhou (CN)

(72) Inventor: **Yang Lin**, Wenling, Taizhou (CN)

(**) Term: **15 Years**

(21) Appl. No.: **29/585,729**

(22) Filed: **Nov. 28, 2016**

(30) **Foreign Application Priority Data**

Jul. 30, 2016 (CN) 2016 3 0358488

(51) **LOC (11) Cl.** **15-09**

(52) **U.S. Cl.**
USPC **D15/144**

(58) **Field of Classification Search**
USPC D8/29.1, 30; D13/123, 133, 144;
D15/144, 144.1, 144.2
CPC B23K 9/32; B23K 9/028; B23K 9/1006;
B23K 9/1735; B23K 11/28; B23K 37/053
See application file for complete search history.

(56) **References Cited**

U.S. PATENT DOCUMENTS

D275,292 S *	8/1984	Bouman	D15/144
4,496,822 A *	1/1985	Jegers	B23K 37/02
				219/125.1
D280,329 S *	8/1985	Bouman	D15/144
6,531,683 B1 *	3/2003	Lawrence	B23K 9/133
				219/125.1
6,590,184 B1 *	7/2003	Andersen	B23K 7/10
				219/136
6,596,972 B1 *	7/2003	Di Novo	B23K 9/32
				219/136
D631,074 S *	1/2011	Peters	D15/144
D742,444 S *	11/2015	Leach	D15/144
D772,965 S *	11/2016	Westlake	D15/144
RE46,313 E *	2/2017	Johnson	D15/144

9,756,456 B2 *	9/2017	Dina	H04W 4/008
2003/0213789 A1 *	11/2003	Andersen	B23K 9/10
				219/130.1
2006/0043082 A1 *	3/2006	Martin	B23K 9/32
				219/130.5
2007/0090163 A1 *	4/2007	Di Novo	B23K 9/1006
				228/101
2008/0135695 A1 *	6/2008	Ertmer	B23K 9/32
				248/154
2009/0230118 A1 *	9/2009	Romenesko	B23K 9/327
				219/520
2011/0030723 A1 *	2/2011	Langeder	B08B 7/00
				134/1
2011/0095009 A1 *	4/2011	Kindig	B23K 9/10
				219/130.1
2012/0241417 A1 *	9/2012	Mehn	B23K 9/0956
				219/108
2013/0048699 A1 *	2/2013	Fuerlinger	B23K 9/122
				228/41

(Continued)

Primary Examiner — Patricia A Palasik

(74) *Attorney, Agent, or Firm* — Sarika Singh; McNeely, Hare & War LLP.

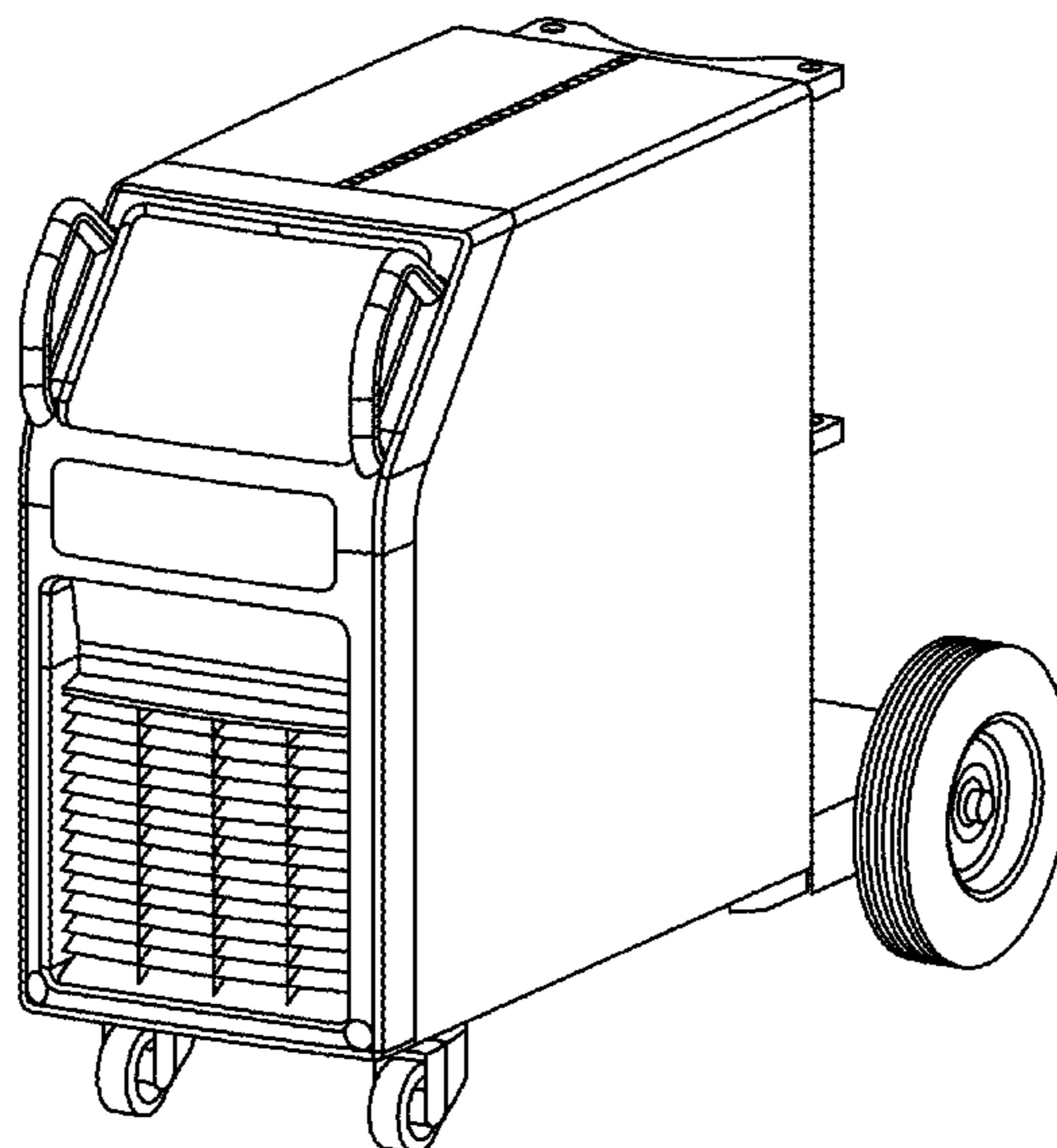
(57) **CLAIM**

The ornamental design for an electric welding machine, as shown and described.

DESCRIPTION

FIG. 1 is a front view of an electric welding machine showing my new design;
FIG. 2 is a back view thereof;
FIG. 3 is a left view thereof;
FIG. 4 is a right view thereof;
FIG. 5 is a top view thereof;
FIG. 6 is a bottom view thereof; and,
FIG. 7 is a perspective view thereof.
The broken lines in the drawings depict unclaimed environmental subject matter.

1 Claim, 6 Drawing Sheets



(56)

References Cited

U.S. PATENT DOCUMENTS

2016/0016248 A1* 1/2016 Susin G08B 6/00
219/130.01
2017/0129035 A1* 5/2017 Westlake B23K 9/1006
2017/0144242 A1* 5/2017 McQueen B23K 9/044

* cited by examiner

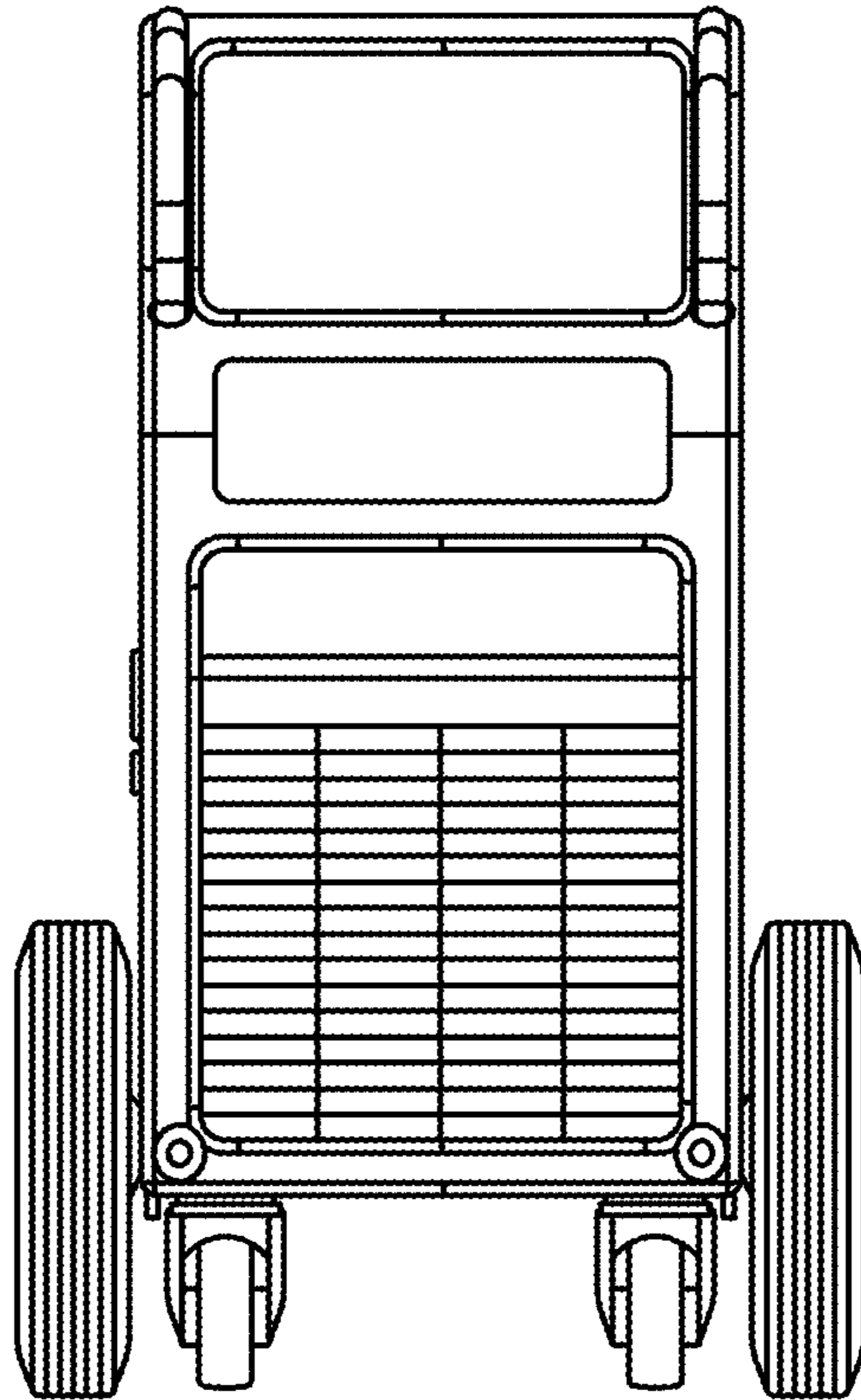


FIG. 1

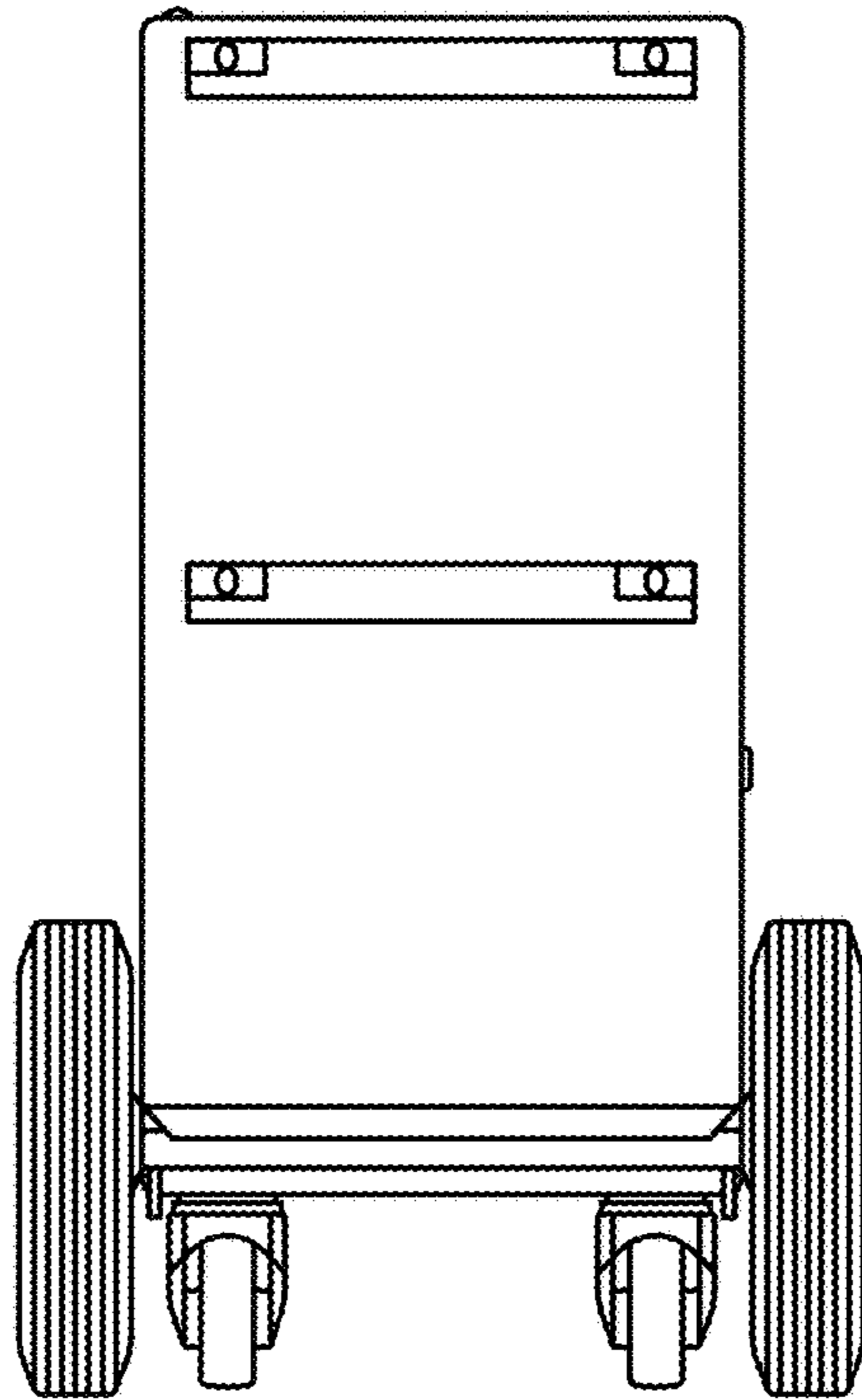


FIG. 2

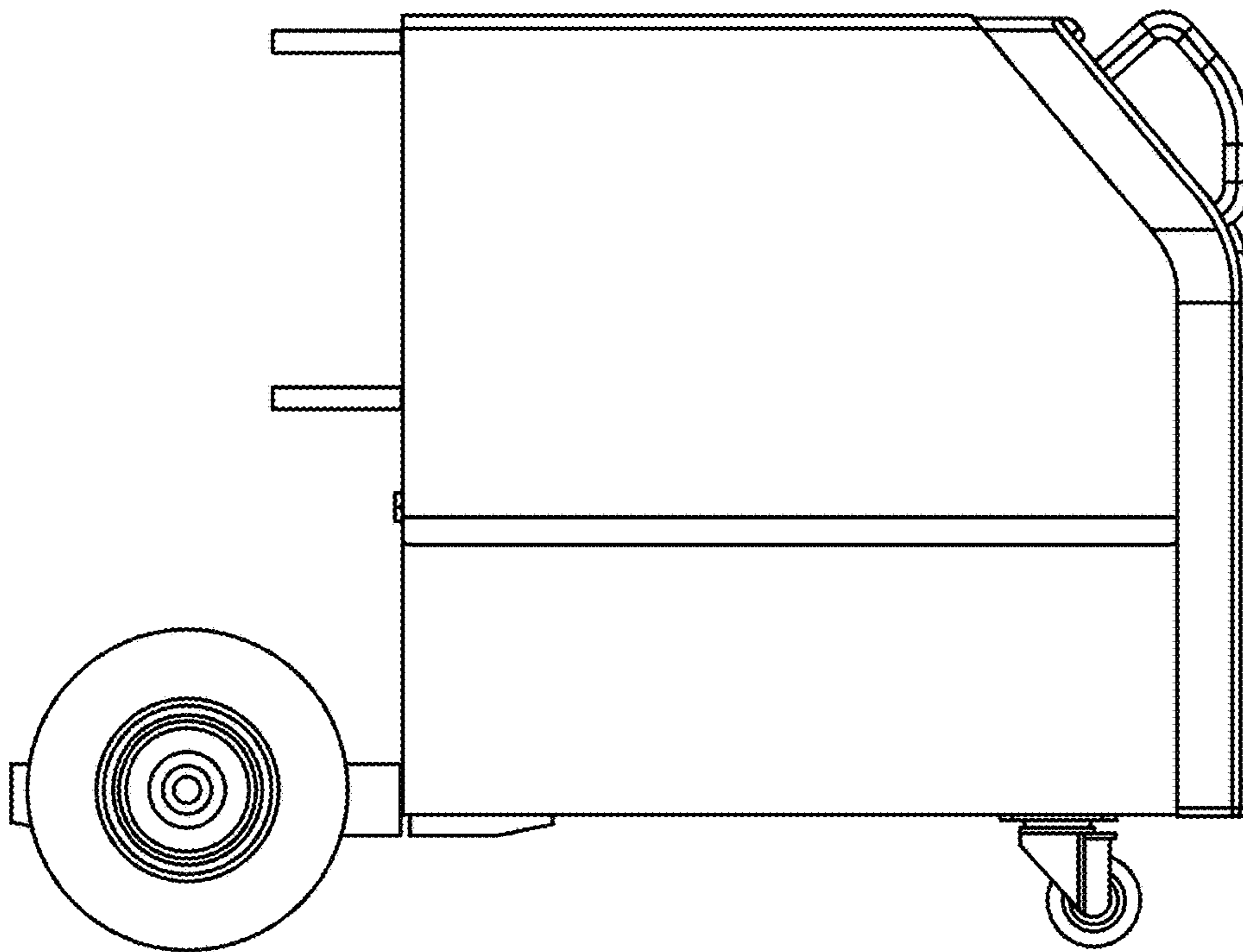


FIG. 3

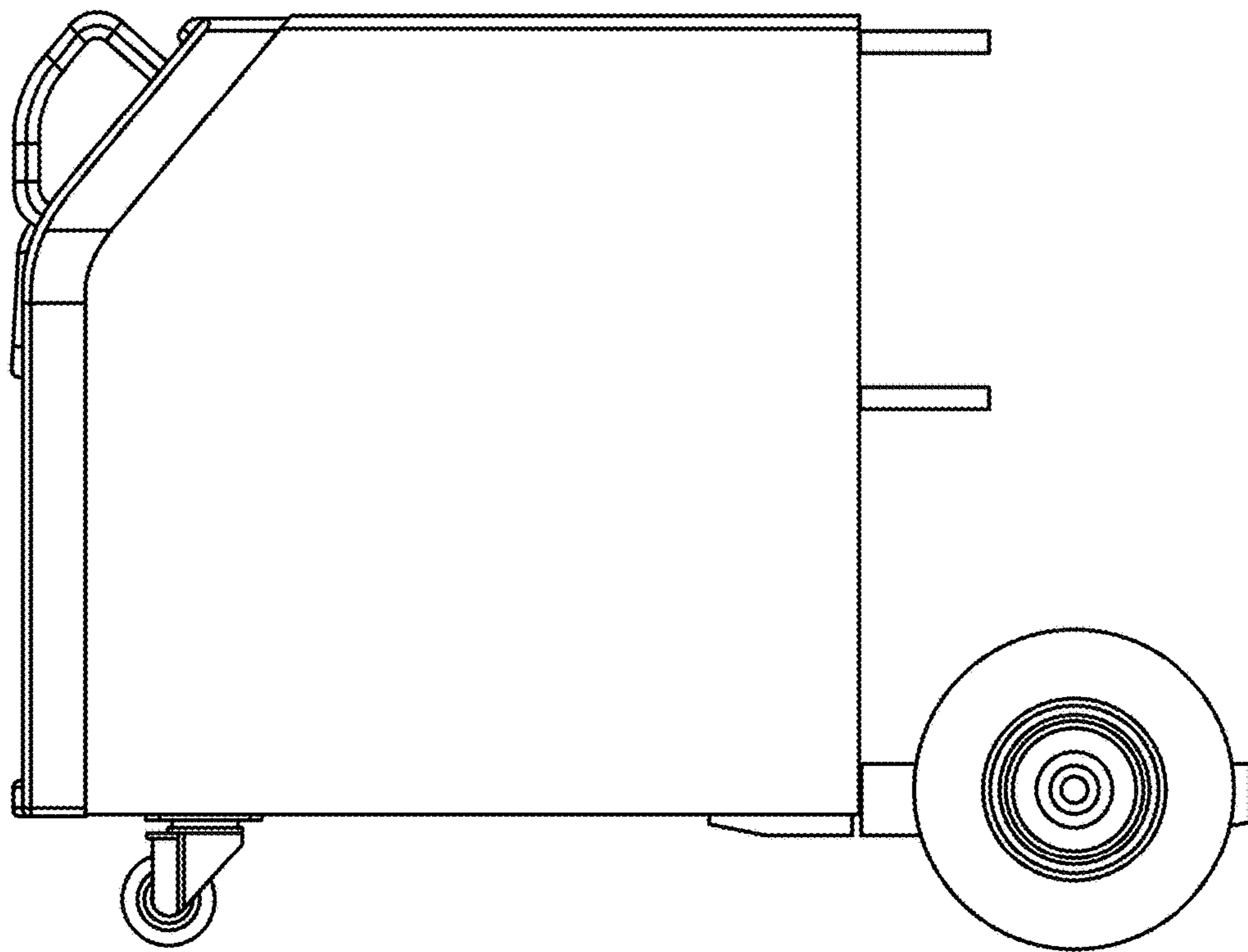


FIG. 4

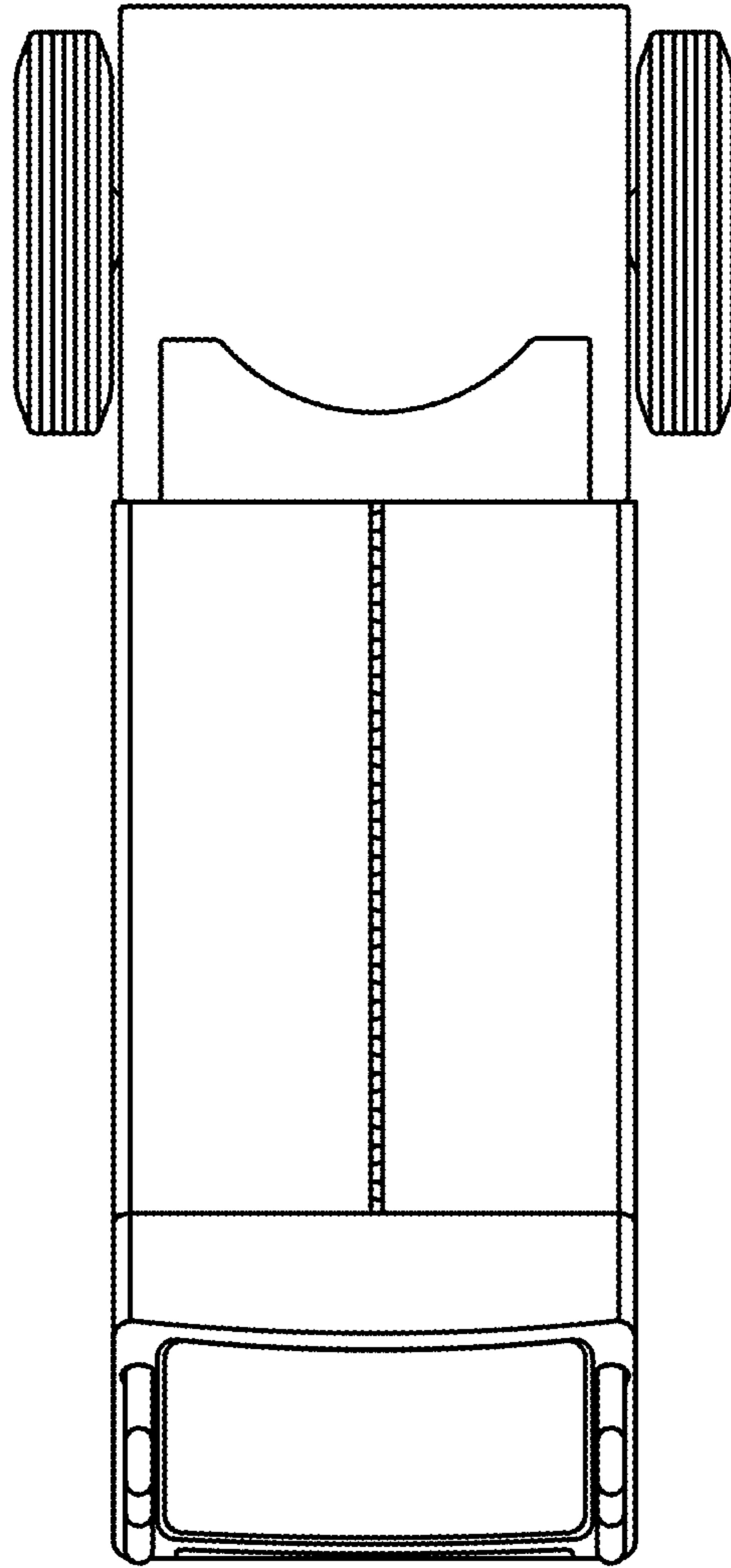


FIG. 5

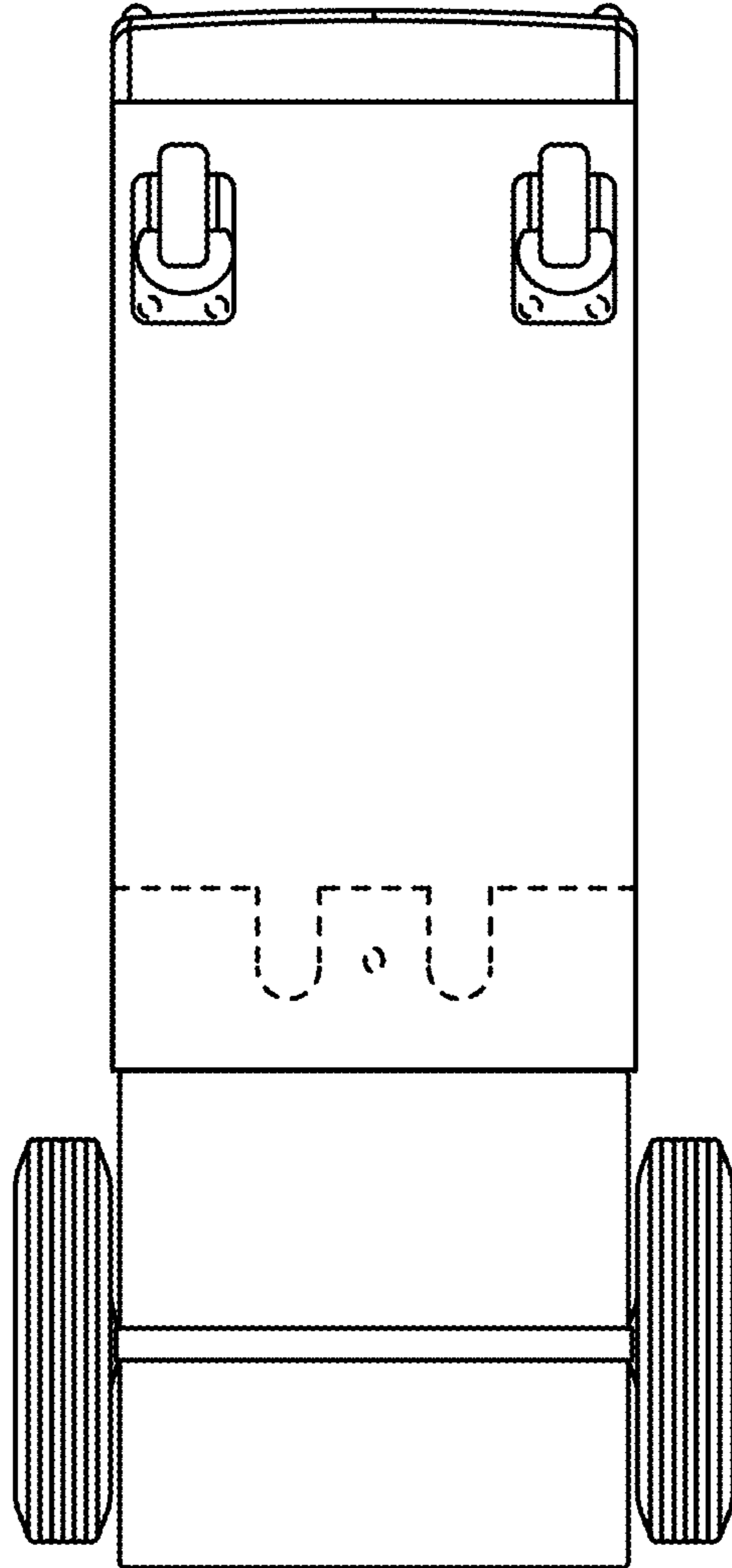


FIG. 6

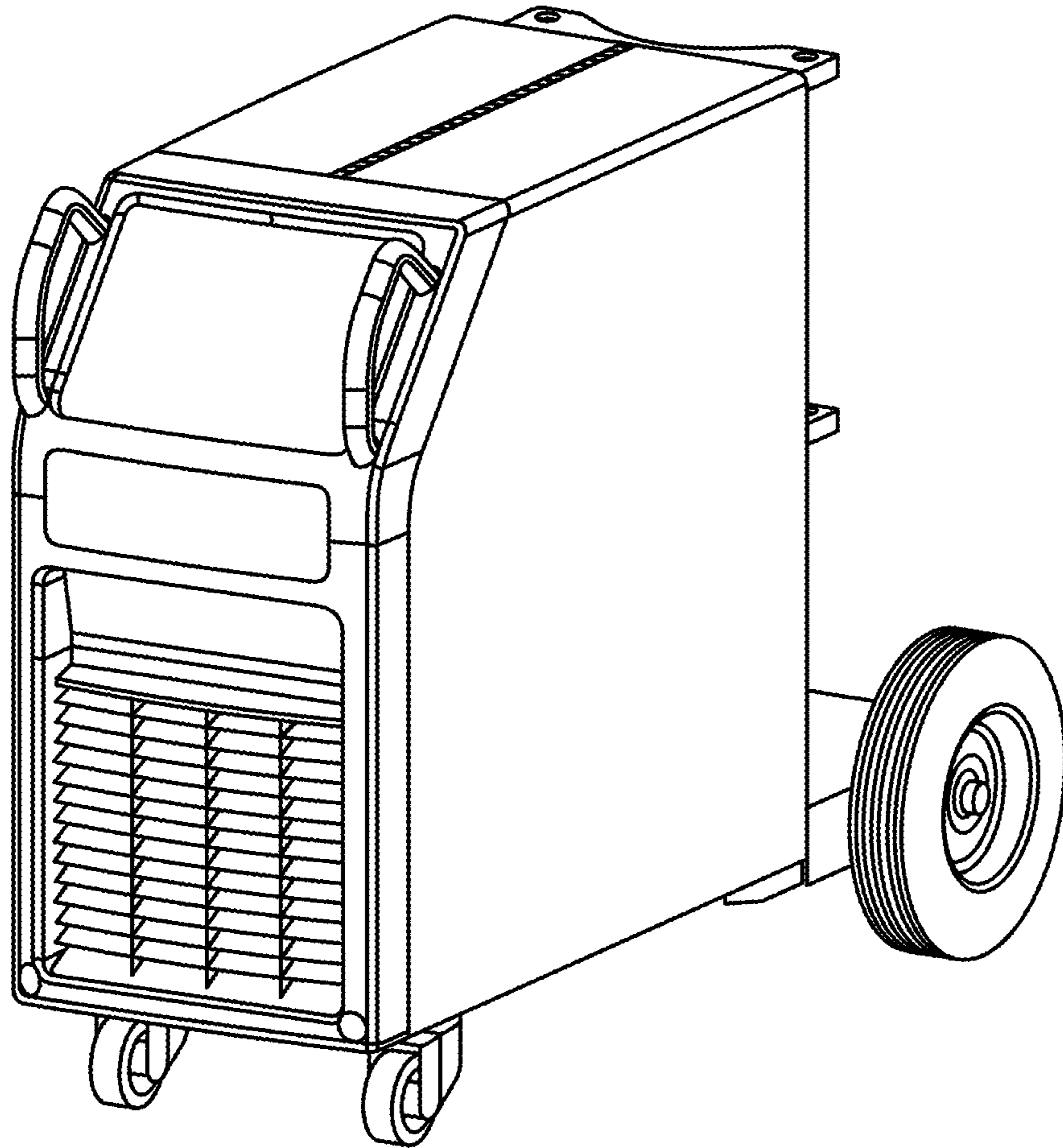


FIG. 7