



US00D821461S

(12) **United States Design Patent**  
**Kanada et al.**

(10) **Patent No.:** **US D821,461 S**  
(45) **Date of Patent:** **\*\* Jun. 26, 2018**

(54) **THROW-AWAY TIP FOR METAL CUTTING TOOL**

27/143; B23B 2200/321; B23B 2200/087;  
B23B 2200/201

See application file for complete search history.

(71) Applicant: **SUMITOMO ELECTRIC HARDMETAL CORP.**, Itami-shi (JP)

(56) **References Cited**

(72) Inventors: **Yasuyuki Kanada**, Itami (JP);  
**Kunishige Tanaka**, Itami (JP); **Yuji Tomoda**, Itami (JP)

U.S. PATENT DOCUMENTS

D305,662 S 1/1990 Niebauer  
5,044,839 A 9/1991 Takahashi  
5,044,840 A 9/1991 Fouquer et al.  
5,116,167 A 5/1992 Niebauer

(Continued)

(73) Assignee: **SUMITOMO ELECTRIC HARDMETAL CORP.**, Itami-shi (JP)

FOREIGN PATENT DOCUMENTS

(\*\*) Term: **15 Years**

JP 1528795 S 7/2015

(21) Appl. No.: **29/615,408**

OTHER PUBLICATIONS

(22) Filed: **Aug. 29, 2017**

Notice in Japanese Patent Application No. 2015-005888, dated Nov. 16, 2015 [Cited in Parent].

(Continued)

**Related U.S. Application Data**

(62) Division of application No. 29/539,770, filed on Sep. 17, 2015, now Pat. No. Des. 800,188.

*Primary Examiner* — Patricia A Palasik

(74) *Attorney, Agent, or Firm* — Venable LLP; Michael A. Sartori; Miguel A. Lopez

(30) **Foreign Application Priority Data**

Mar. 19, 2015 (JP) ..... 2015-005888  
Mar. 19, 2015 (JP) ..... 2015-005889

(57) **CLAIM**

The ornamental design for a throw-away tip for metal cutting tool, as shown and described.

(51) **LOC (11) Cl.** ..... **15-09**

**DESCRIPTION**

(52) **U.S. Cl.**  
USPC ..... **D15/139**

(58) **Field of Classification Search**  
USPC ..... D15/124–144; D8/16–20, 70, 90, 98;  
409/137, 139–140; 407/114, 59  
CPC ..... B23C 2200/0494; B23C 2200/086; B23C  
2200/128; B23C 2200/362; B23C 5/15;  
B23C 5/06; B23C 5/207; B23C 2200/367;  
B23C 2200/0422; B23B 27/007; B23B

FIG. 1 is a front view of a throw-away tip for metal cutting tool showing our new design,  
FIG. 2 is a rear view thereof;  
FIG. 3 is a top view thereof;  
FIG. 4 is a bottom view thereof;  
FIG. 5 is a right side view thereof;  
FIG. 6 is a left side view thereof;  
FIG. 7 is a first perspective view thereof;  
FIG. 8 is a second perspective view thereof;  
FIG. 9 is a referential top view thereof;

(Continued)

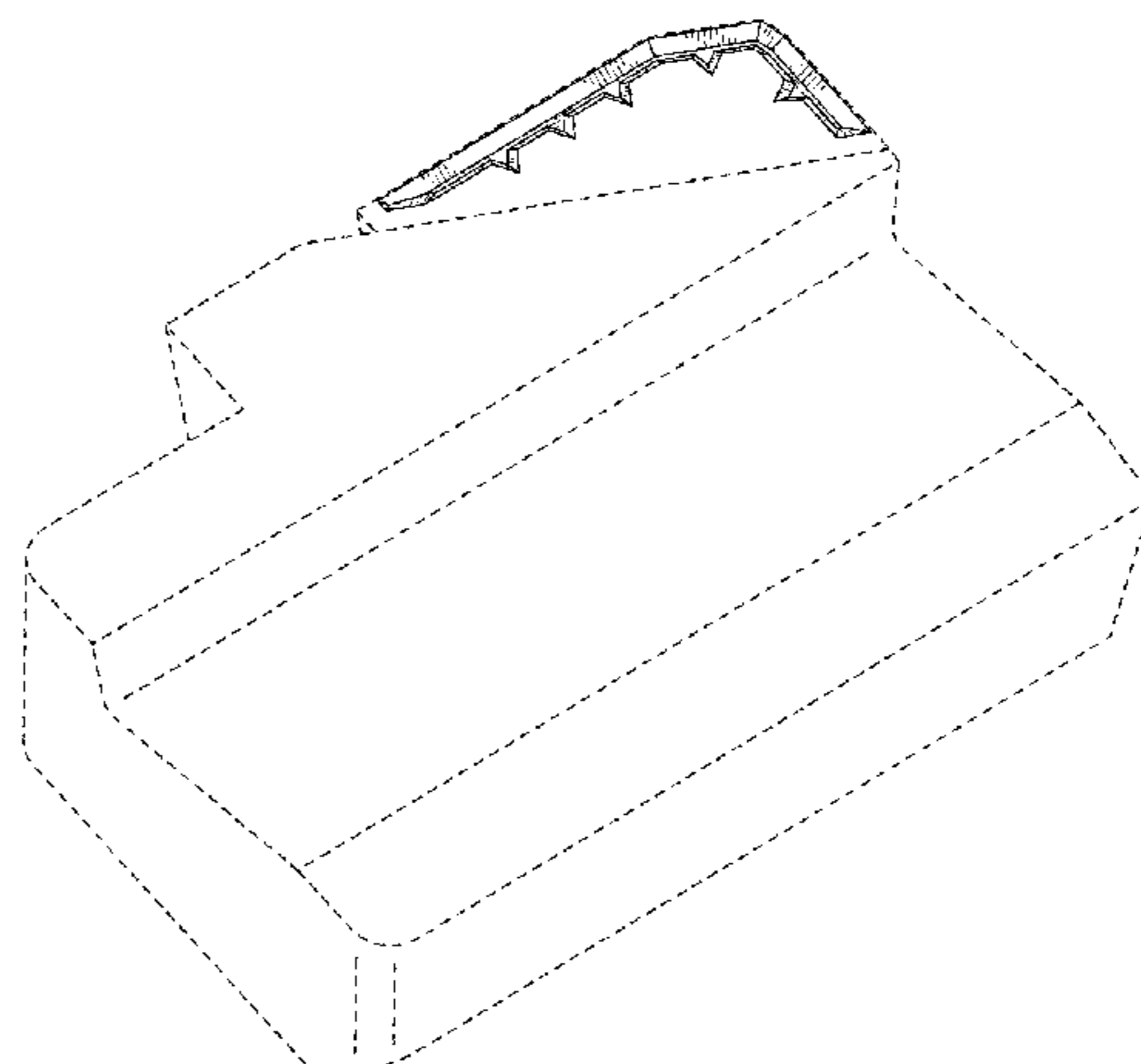
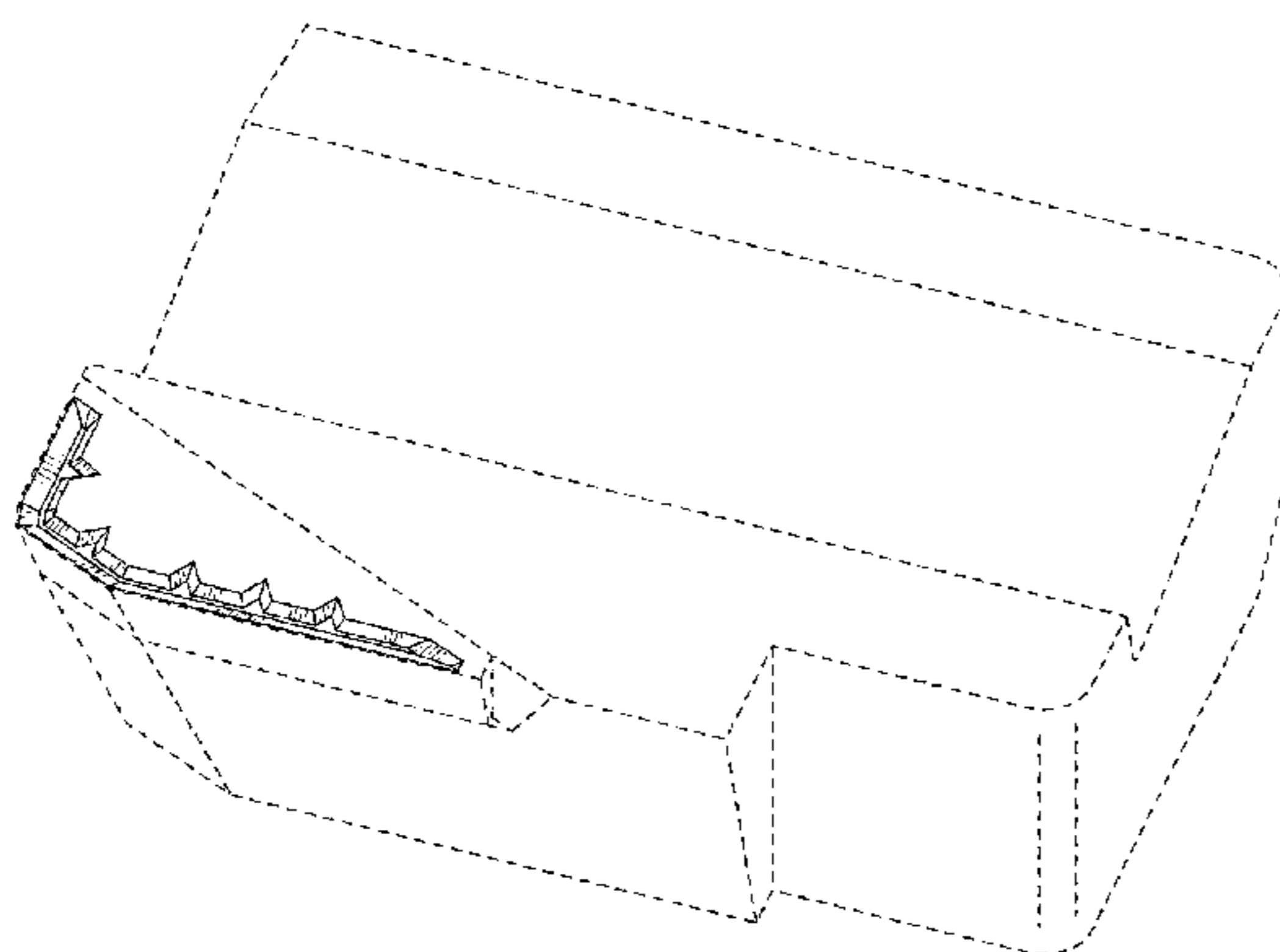


FIG. 10 is a cross sectional view taken along line 10-10 of FIG. 9; and, FIG. 11 is a cross sectional view taken along line 11-11 of FIG. 9.

**1 Claim, 5 Drawing Sheets**

(56)

**References Cited**

U.S. PATENT DOCUMENTS

5,180,258 A 1/1993 Bemadic  
5,265,985 A 11/1993 Boppana et al.  
D362,859 S 10/1995 Wiman et al.  
5,577,867 A 11/1996 Paya  
D430,178 S 8/2000 Hartlohner et al.  
D487,755 S 3/2004 Kasperik et al.  
D487,757 S 3/2004 Kasperik et al.  
D487,758 S 3/2004 Kasperik et al.

D487,759 S 3/2004 Kasperik et al.  
D488,176 S 4/2004 Kasperik et al.  
D491,588 S 6/2004 Kasperik et al.  
D503,181 S 3/2005 Kasperik et al.  
7,234,901 B2 6/2007 Ishida  
D636,418 S 4/2011 Chen et al.  
7,934,891 B2 5/2011 Jonsson et al.  
8,262,324 B2 9/2012 Park et al.  
8,459,162 B2 6/2013 Kimura et al.  
D748,169 S 1/2016 Tomoda et al.  
D755,266 S 5/2016 Tomoda et al.  
D799,572 S \* 10/2017 Kanada ..... D15/139  
D800,188 S \* 10/2017 Kanada ..... D15/139  
2015/0016902 A1 1/2015 Okamura et al.  
2015/0078844 A1 3/2015 Majima et al.

OTHER PUBLICATIONS

Notice in Japanese Patent Application No. 2015-005889, dated Nov. 16, 2015 [Cited in Parent].

\* cited by examiner

FIG.1

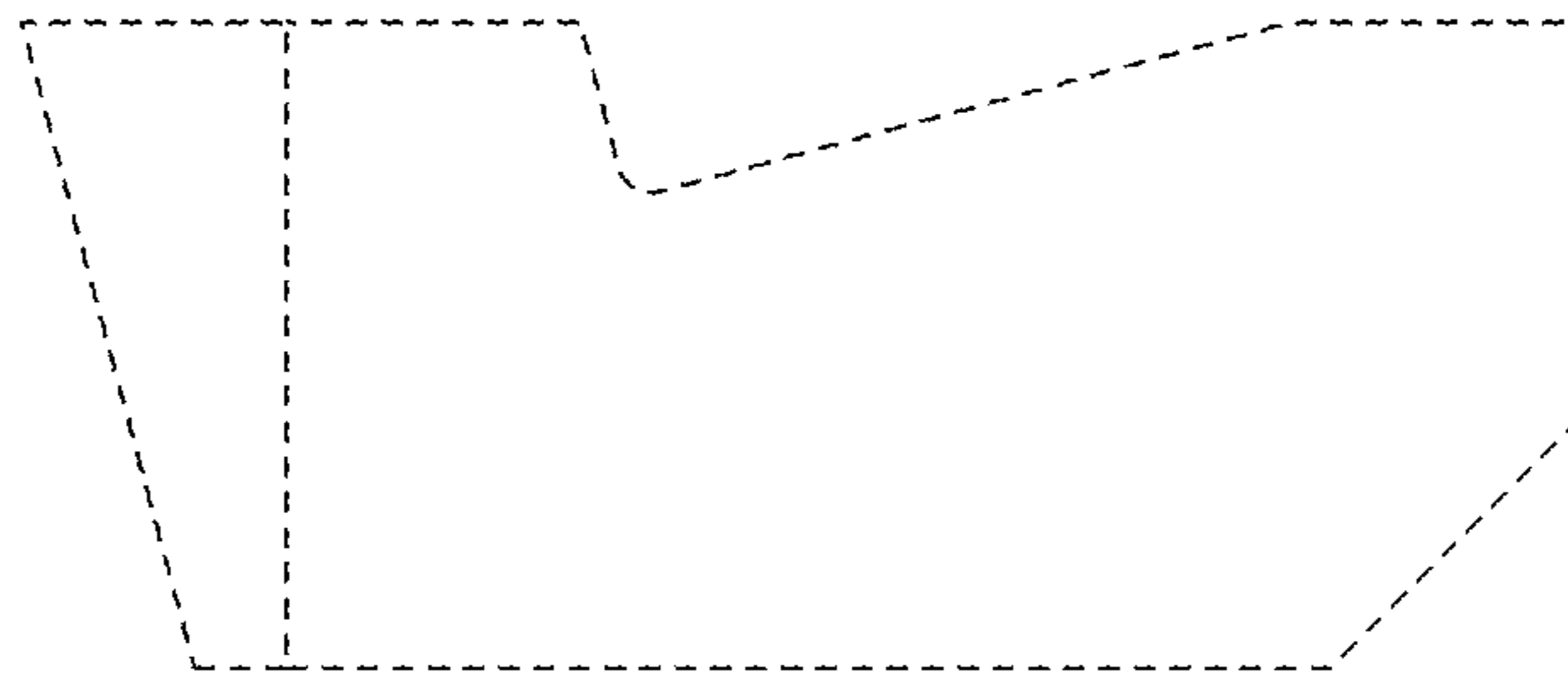


FIG.2

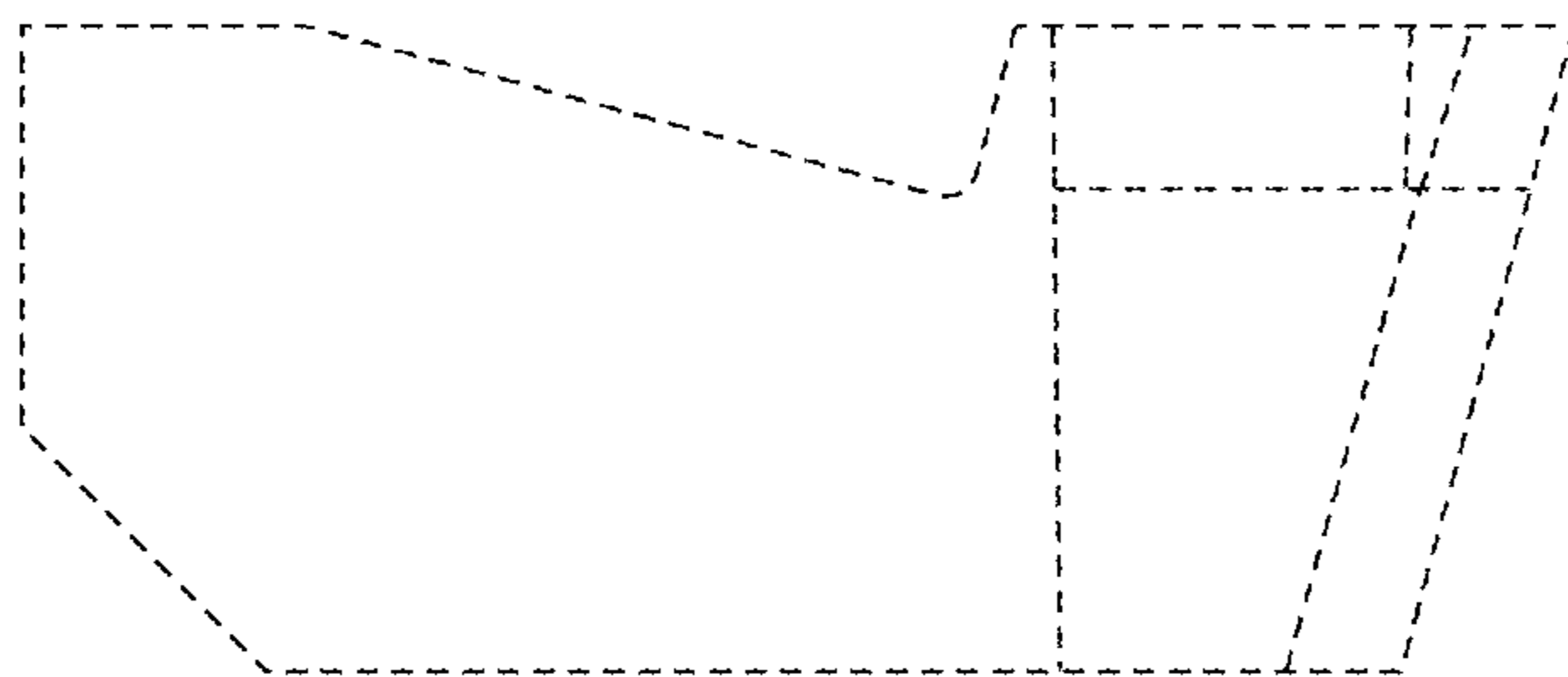


FIG.3

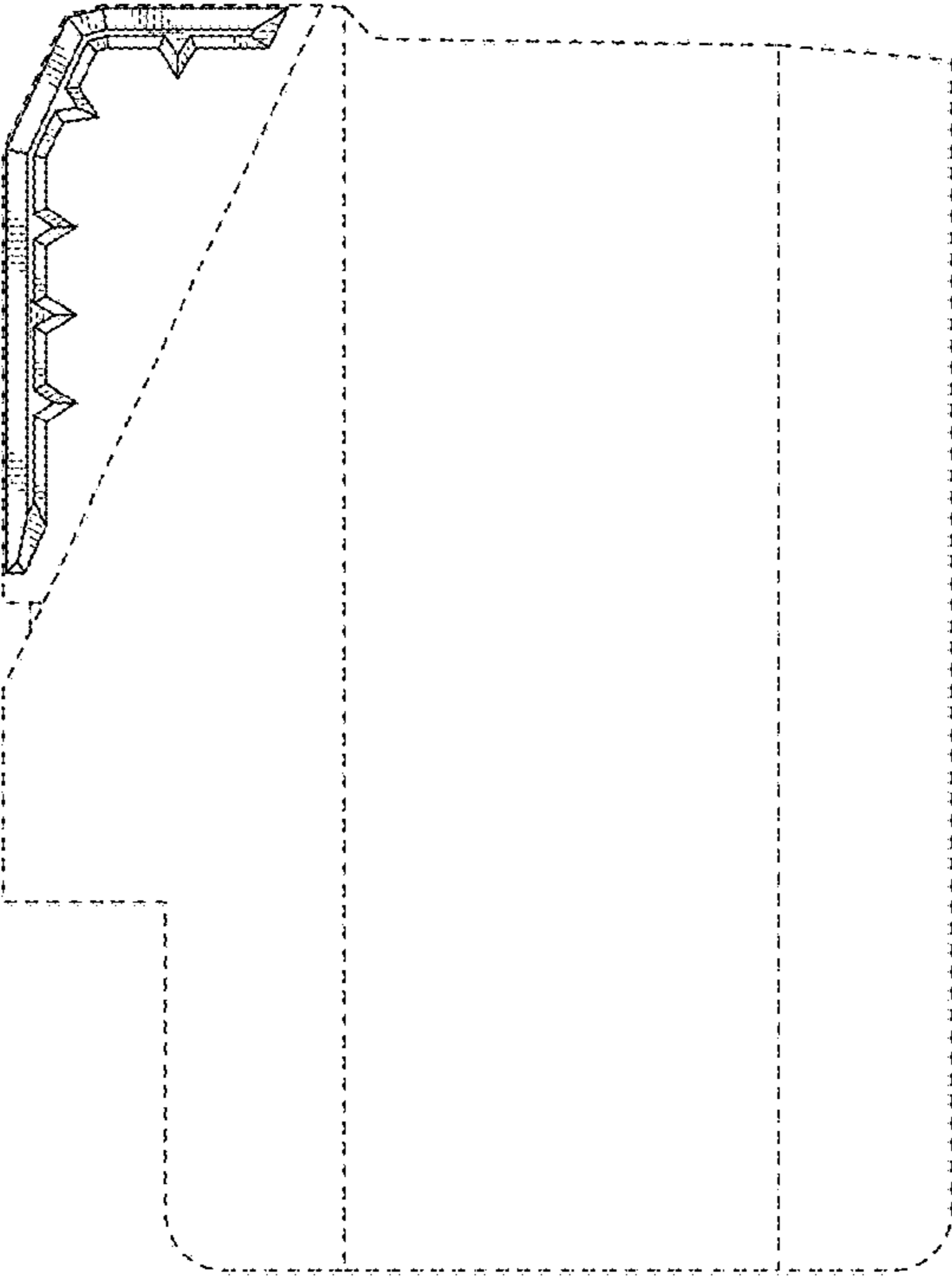


FIG.4

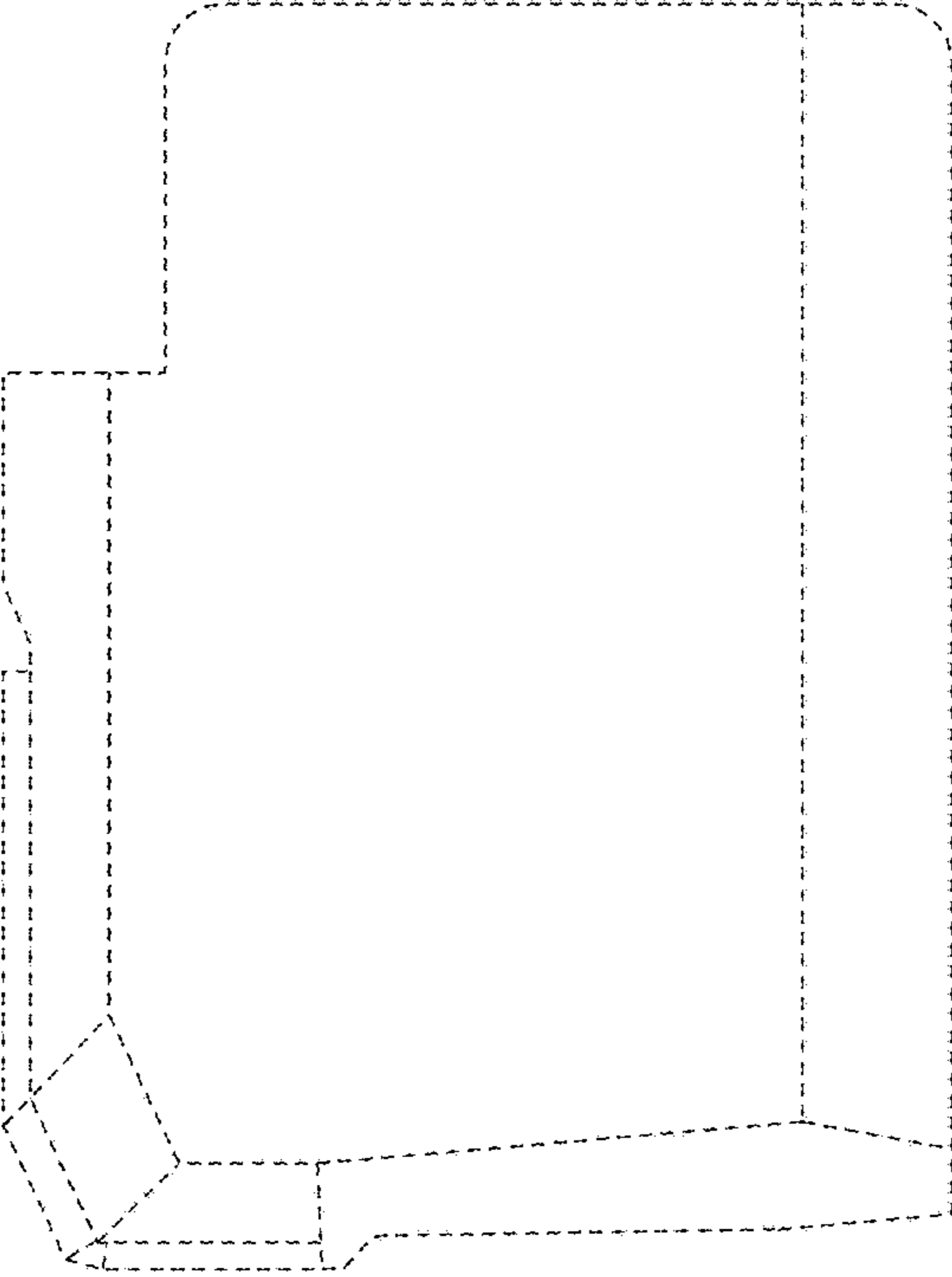


FIG.5

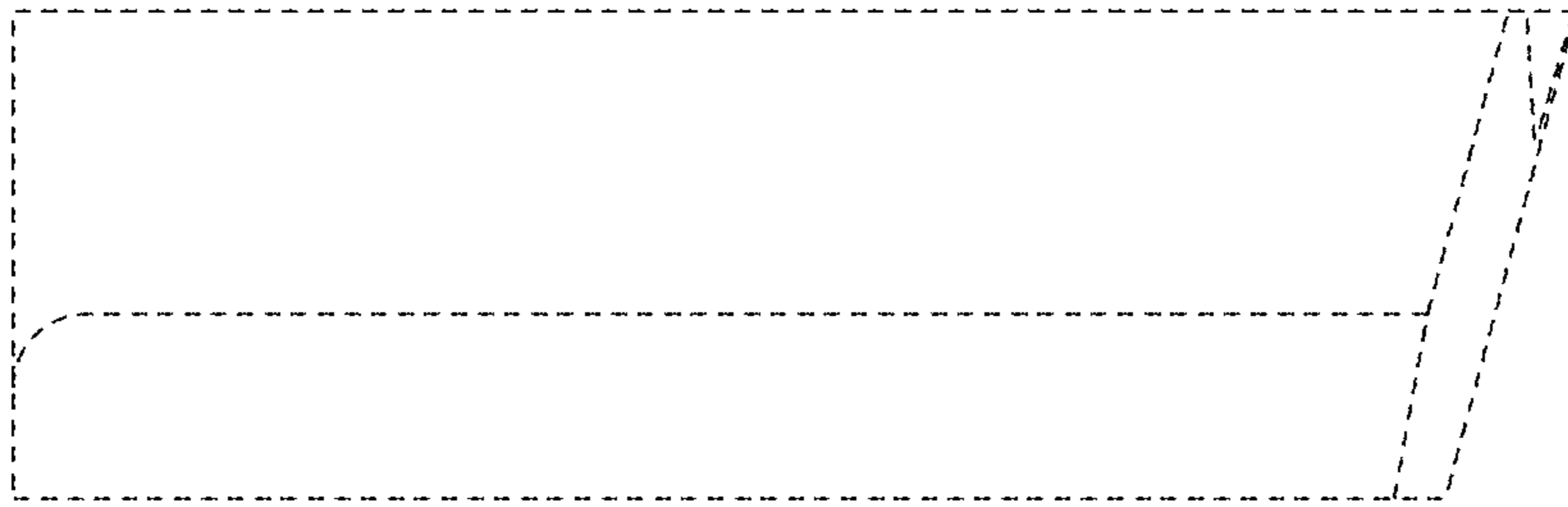


FIG.6

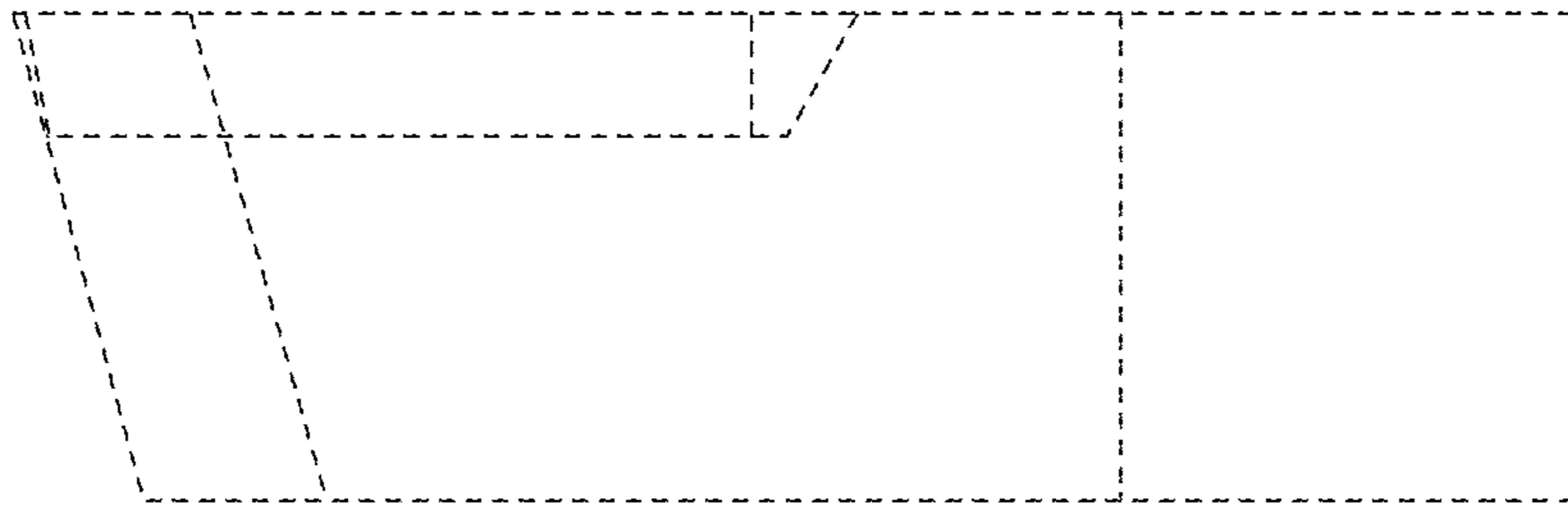


FIG.7

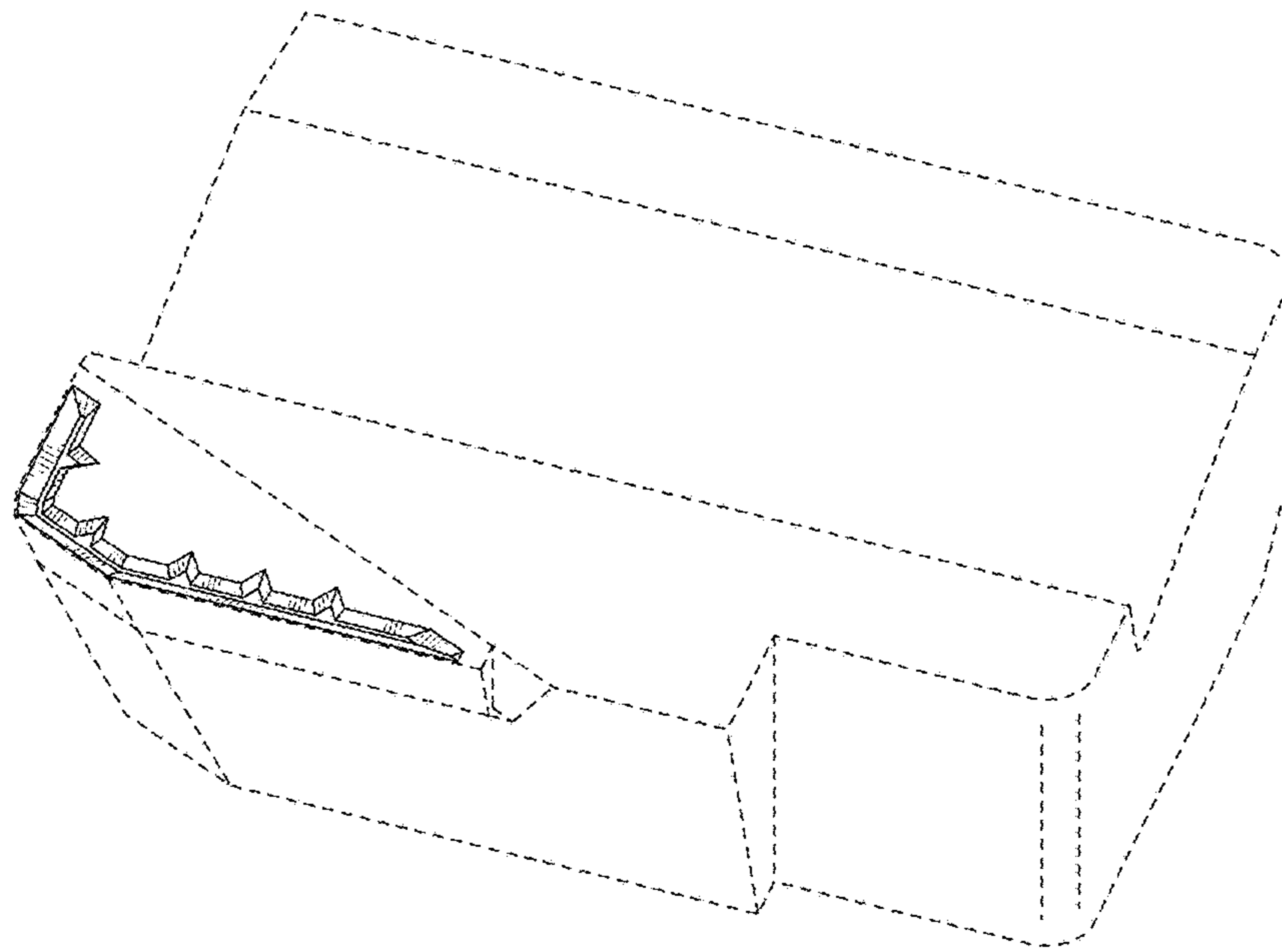


FIG.8

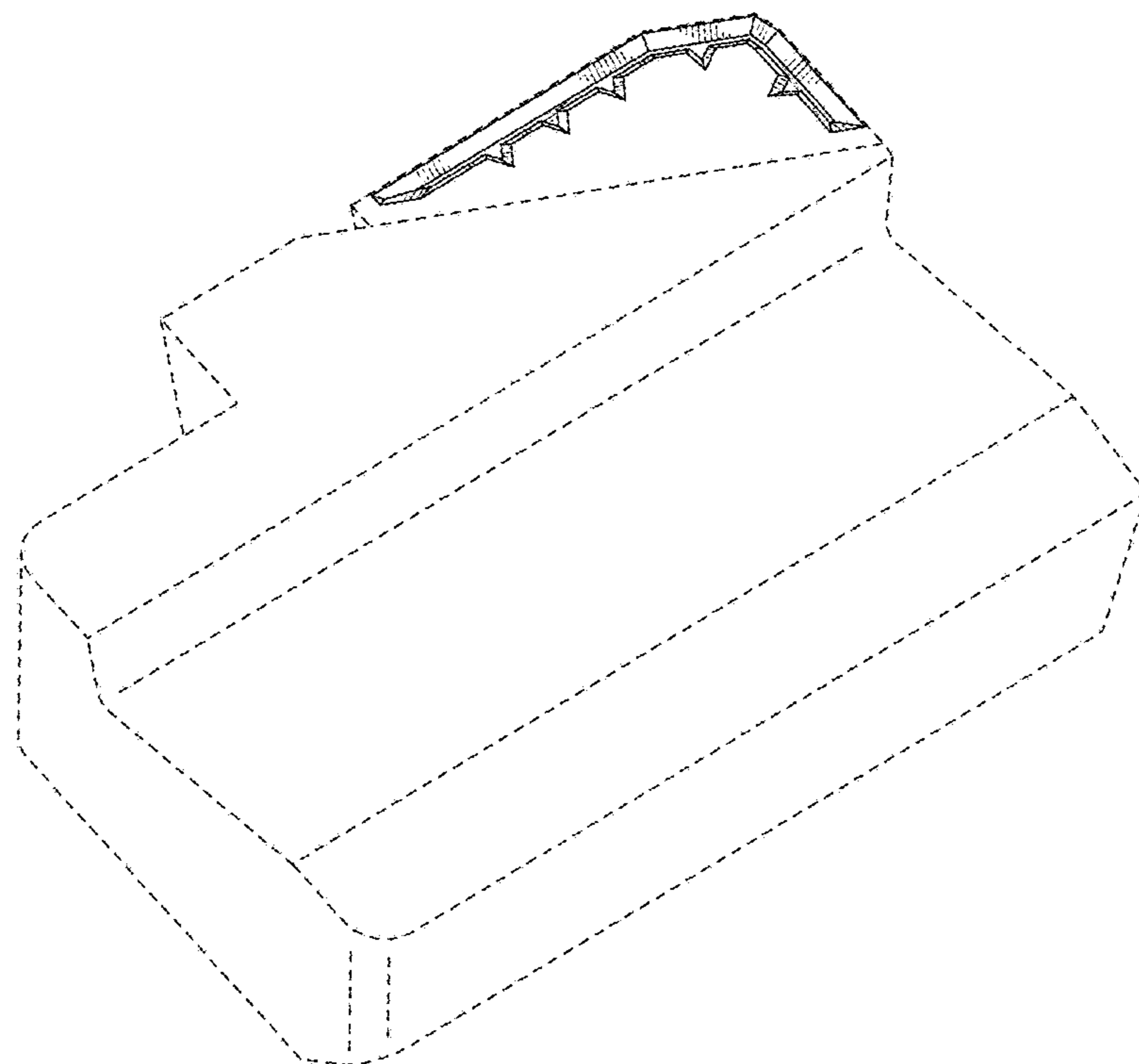


FIG.9

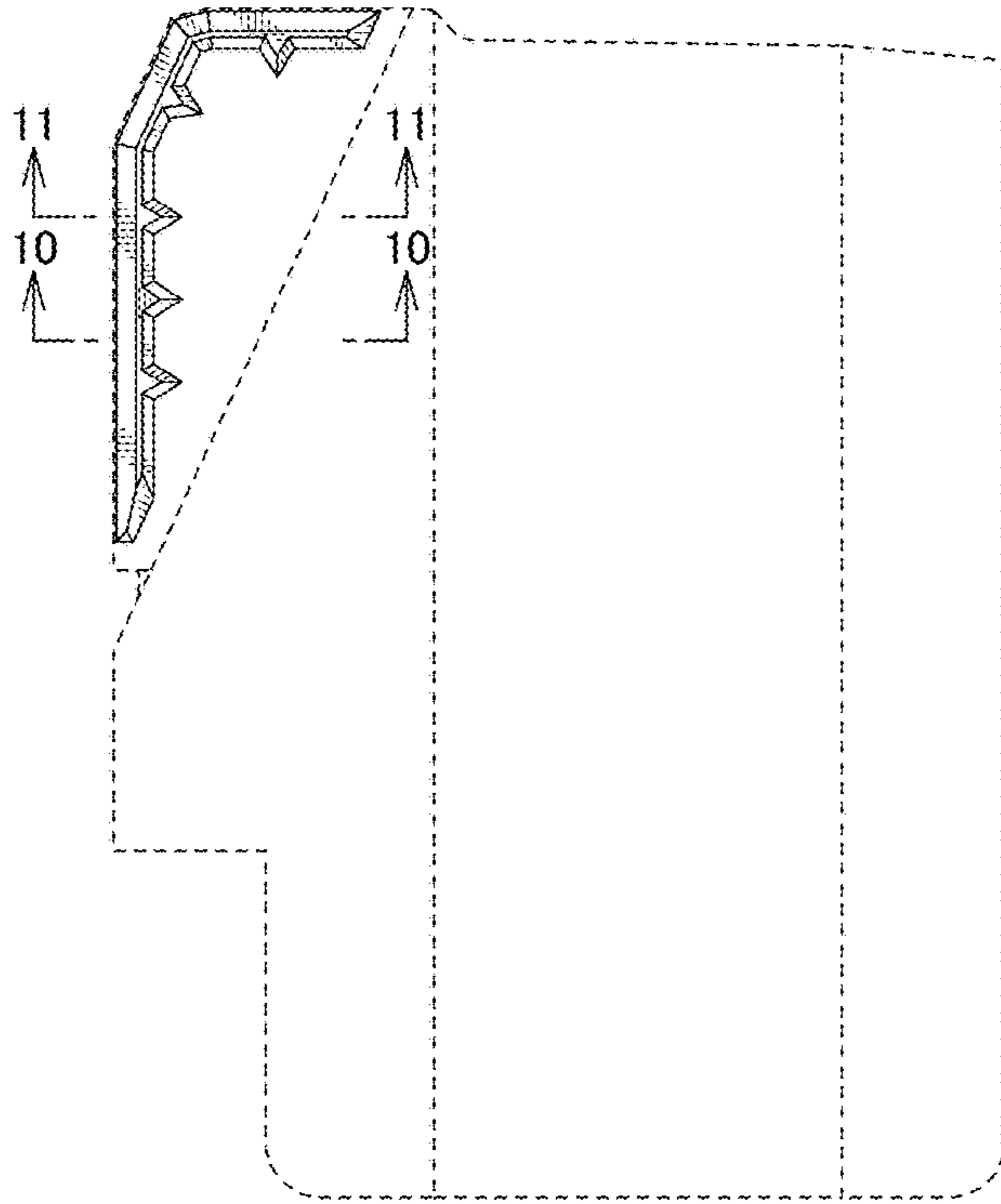


FIG.10

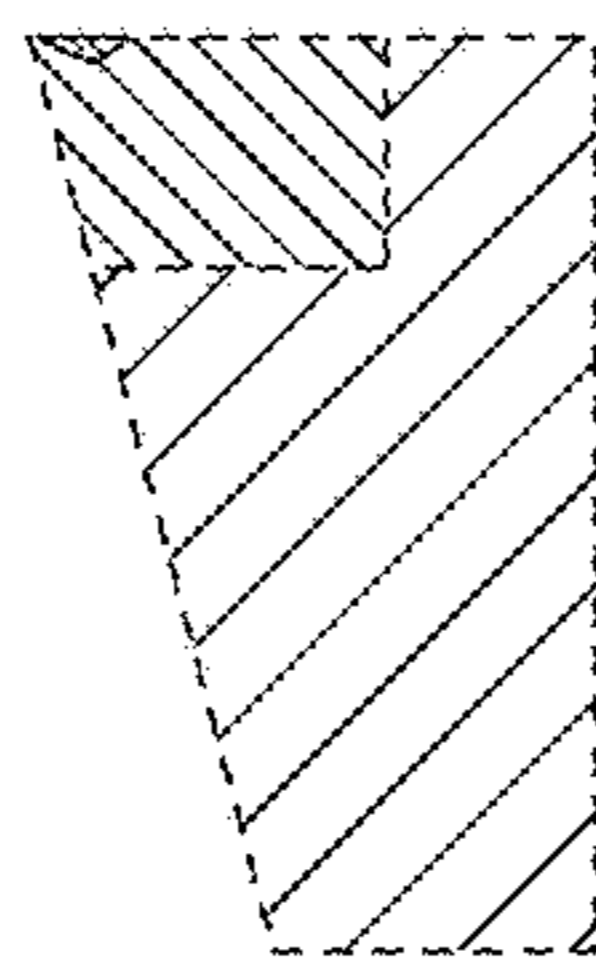


FIG.11

