



US00D821456S

(12) **United States Design Patent**  
**Nye**

(10) **Patent No.:** **US D821,456 S**  
(45) **Date of Patent:** **\*\* Jun. 26, 2018**

(54) **EXCAVATOR BUCKET**  
(71) Applicant: **Mark Edward Nye**, Mississauga (CA)  
(72) Inventor: **Mark Edward Nye**, Mississauga (CA)  
(73) Assignee: **NYE MANUFACTURING LTD.**,  
Mississauga (CA)  
(\*\*) Term: **15 Years**  
(21) Appl. No.: **29/606,700**

D357,260 S \* 4/1995 Kallen ..... D15/32  
5,526,591 A \* 6/1996 Otwell ..... E02F 3/40  
37/379  
6,434,865 B2 \* 8/2002 Renski ..... E02F 3/8152  
172/772.5  
6,457,268 B1 \* 10/2002 Perry ..... E02F 3/8152  
37/403  
D469,786 S \* 2/2003 Miller ..... D15/24  
D478,599 S \* 8/2003 Zaayman ..... D15/32  
D501,662 S \* 2/2005 Rowlands  
D524,826 S \* 7/2006 Boyapally ..... D15/29  
D551,684 S \* 9/2007 McClallen ..... D15/32  
D616,469 S \* 5/2010 Ballinger ..... D15/32

(Continued)

(22) Filed: **Jun. 7, 2017**  
(51) **LOC (11) Cl.** ..... **15-03**  
(52) **U.S. Cl.**  
USPC ..... **D15/32**  
(58) **Field of Classification Search**  
USPC ..... D15/28, 29, 32  
CPC ..... E02F 3/40; E02F 3/96; E02F 3/04; E02F  
3/962; E02F 3/404; E02F 3/401; E02F  
9/24; E02F 9/28; B65G 2812/02742;  
B65G 17/36  
See application file for complete search history.

Primary Examiner — Mark Goodwin  
(74) *Attorney, Agent, or Firm* — Bereskin & Parr  
LLP/S.E.N.C.R.L., s.r.l.

(57) **CLAIM**

The ornamental design for an excavator bucket, as shown and described.

**DESCRIPTION**

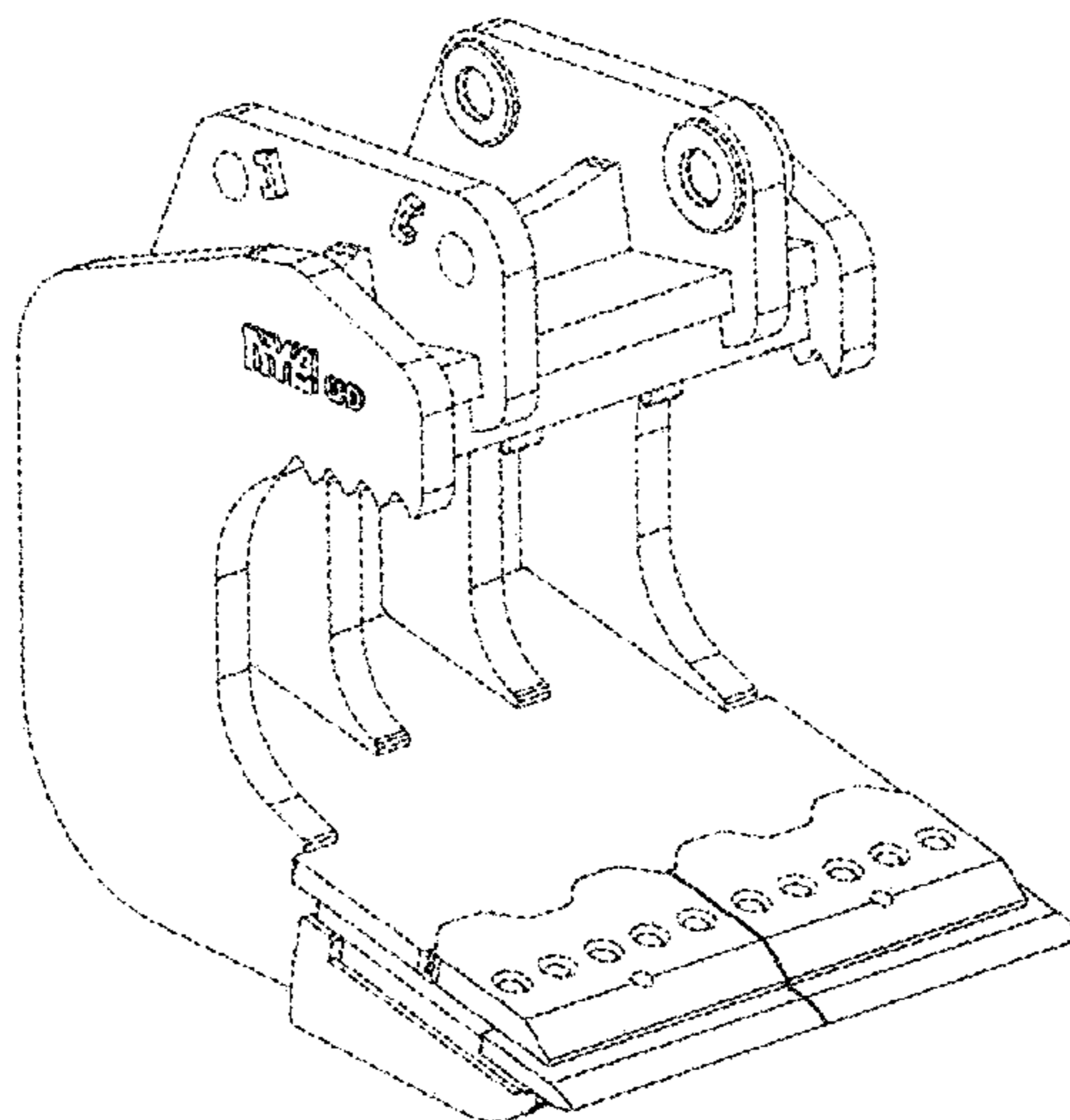
FIG. 1 is an upper front perspective view of an excavator bucket;  
FIG. 2 is a lower front perspective view of the excavator bucket of FIG. 1;  
FIG. 3 is an upper rear perspective view of the excavator bucket of FIG. 1;  
FIG. 4 is a lower rear perspective view of the excavator bucket of FIG. 1;  
FIG. 5 is a front view of the excavator bucket of FIG. 1;  
FIG. 6 is a rear view of the excavator bucket of FIG. 1;  
FIG. 7 is a top view of the excavator bucket of FIG. 1;  
FIG. 8 is a bottom view of the excavator bucket of FIG. 1;  
FIG. 9 is a right side view of the excavator bucket of FIG. 1; and,  
FIG. 10 is a left side view of the excavator bucket of FIG. 1.

(56) **References Cited**

**U.S. PATENT DOCUMENTS**

3,854,608 A \* 12/1974 Arnold ..... E02F 3/404  
37/406  
4,081,919 A \* 4/1978 Teach ..... E02F 3/40  
37/444  
4,123,861 A \* 11/1978 Hemphill ..... E02F 3/40  
37/195  
4,128,132 A \* 12/1978 Moen ..... E02F 9/28  
172/747  
4,141,160 A \* 2/1979 Olson ..... E02F 9/28  
172/719  
4,719,711 A \* 1/1988 Sieber ..... E02F 9/2808  
37/444  
D299,723 S \* 2/1989 Frawley ..... D15/32  
D308,528 S \* 6/1990 Harr ..... D15/32

**1 Claim, 10 Drawing Sheets**



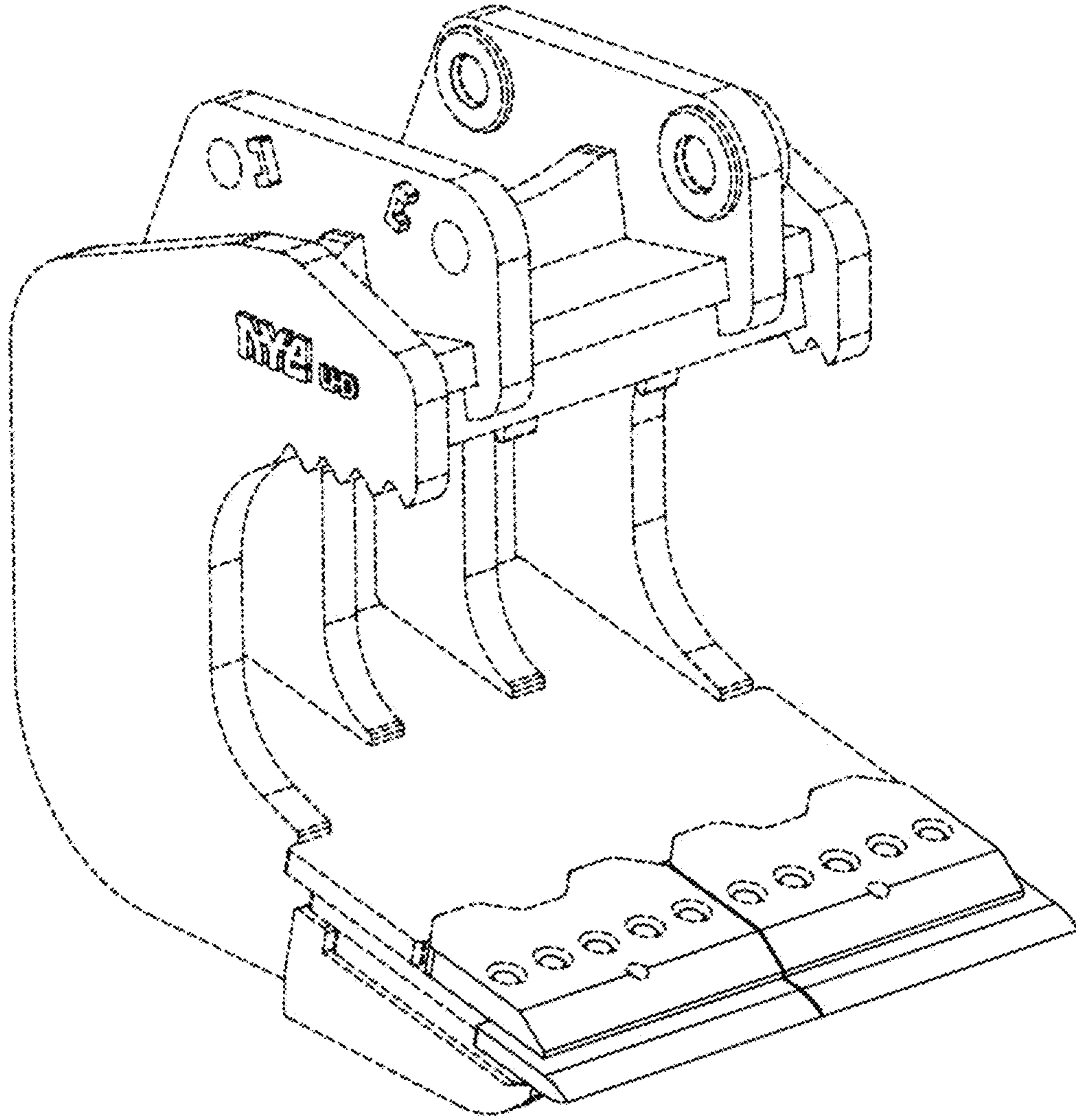
(56)

**References Cited**

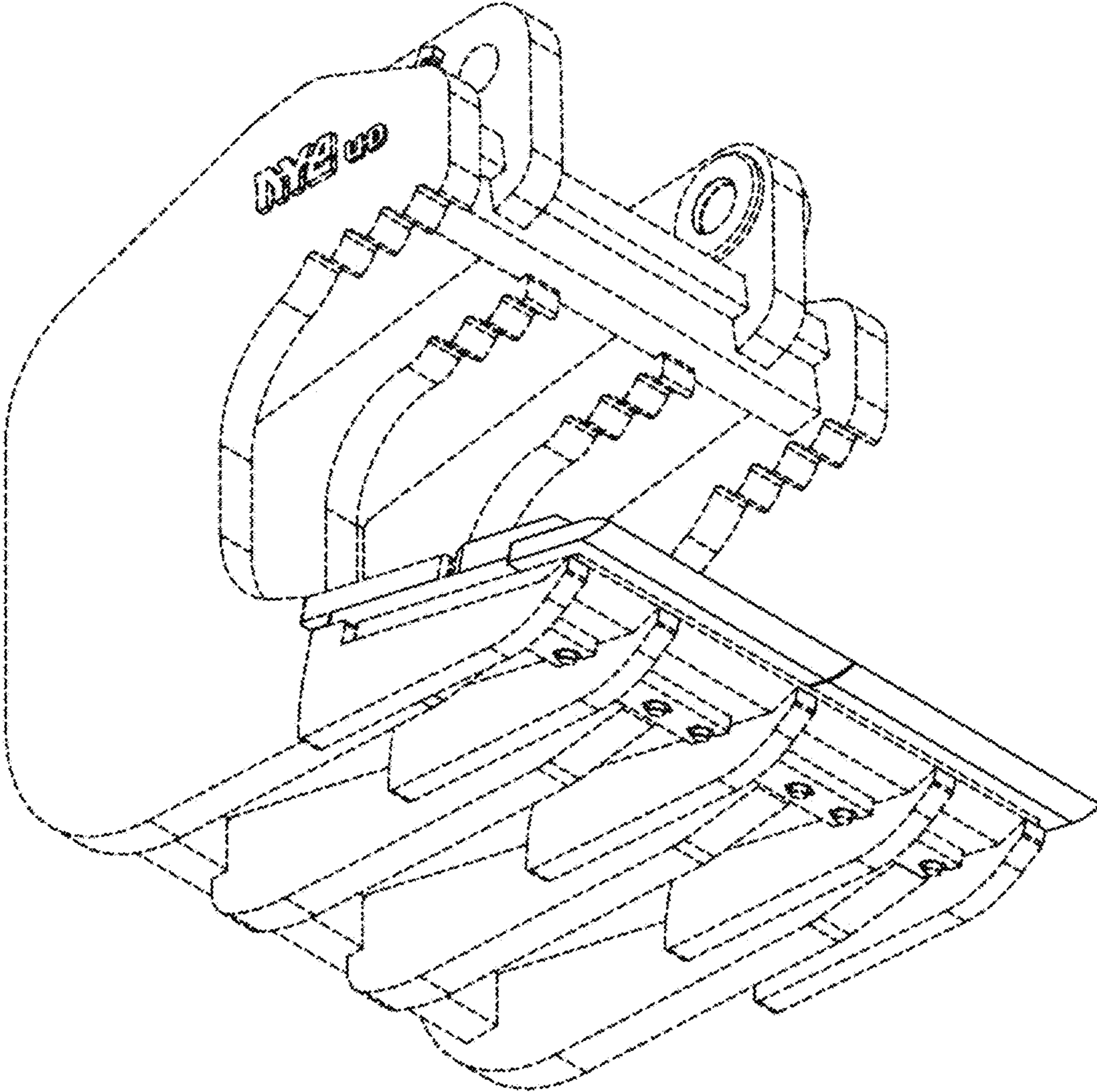
U.S. PATENT DOCUMENTS

D623,671 S *	9/2010	Bolyard .....	D15/32
D631,490 S *	1/2011	Drager .....	D15/32
D656,522 S *	3/2012	Elliott .....	D15/32
D669,919 S *	10/2012	Attwood .....	D15/32
D678,361 S *	3/2013	Attwood .....	D15/32
D705,275 S	5/2014	Haslett et al.	
D748,157 S *	1/2016	Phillips .....	D15/32
D766,995 S	9/2016	Annetts	
D769,946 S *	10/2016	Kunz .....	D15/29

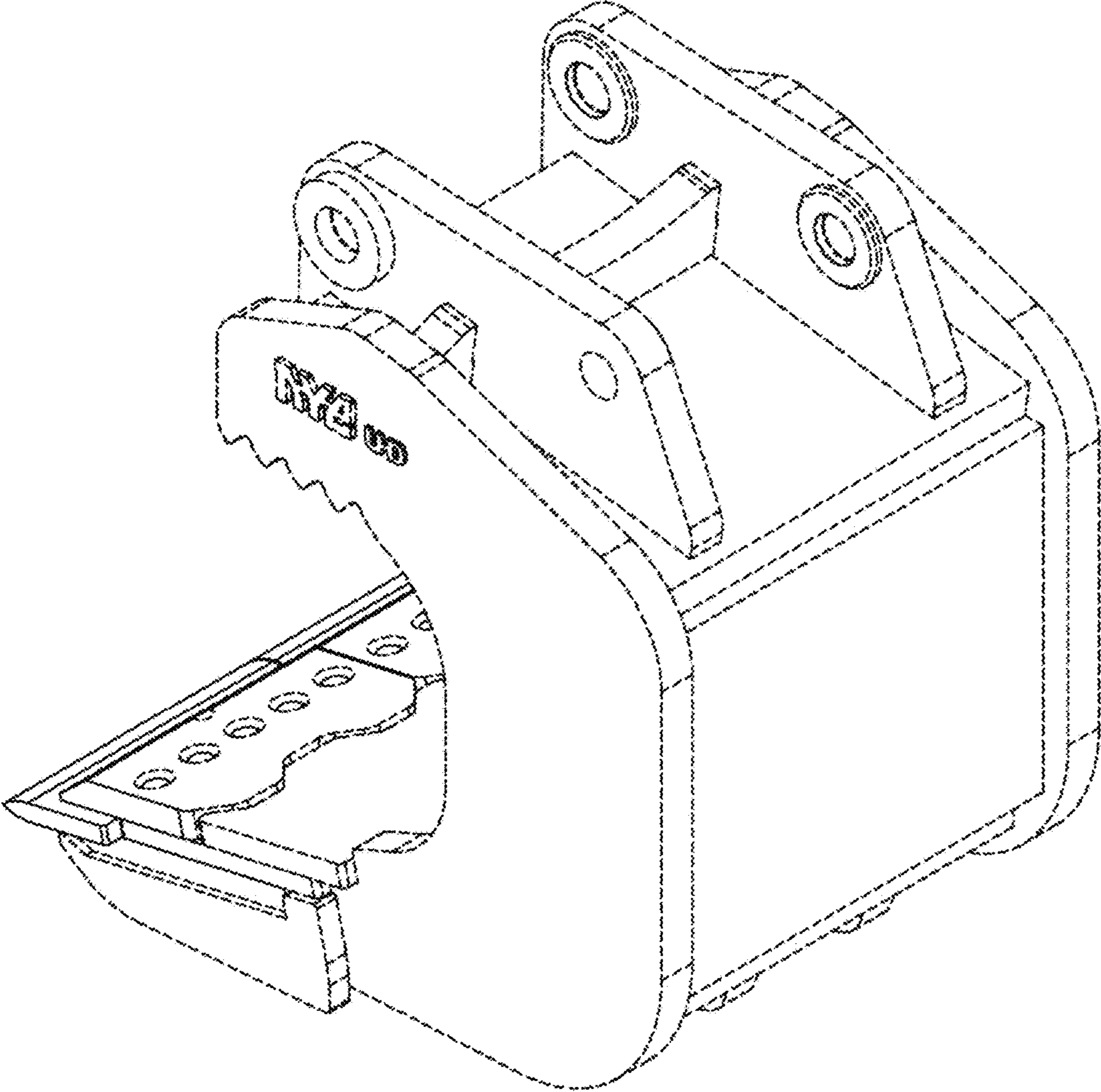
\* cited by examiner



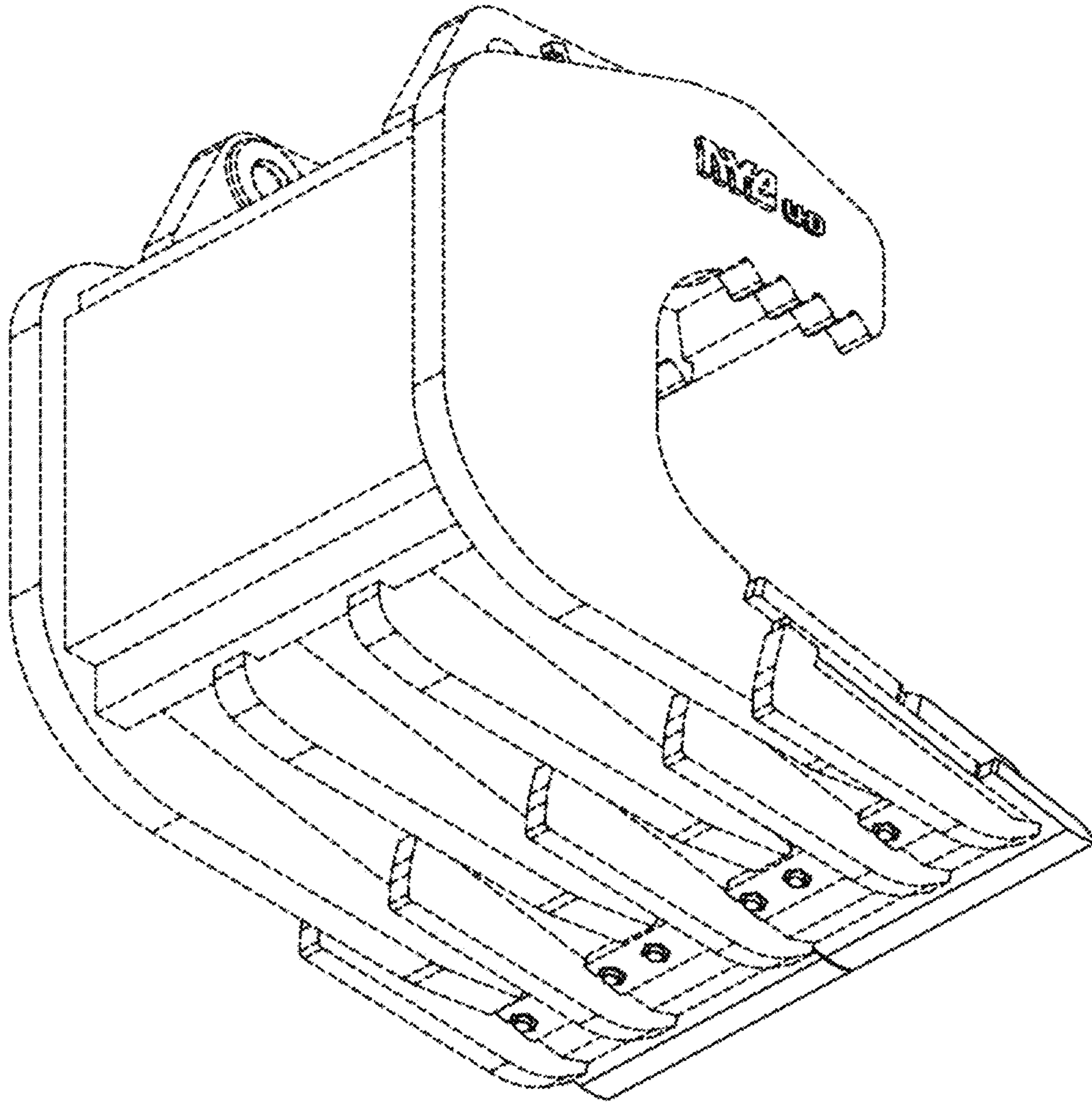
**FIGURE 1**



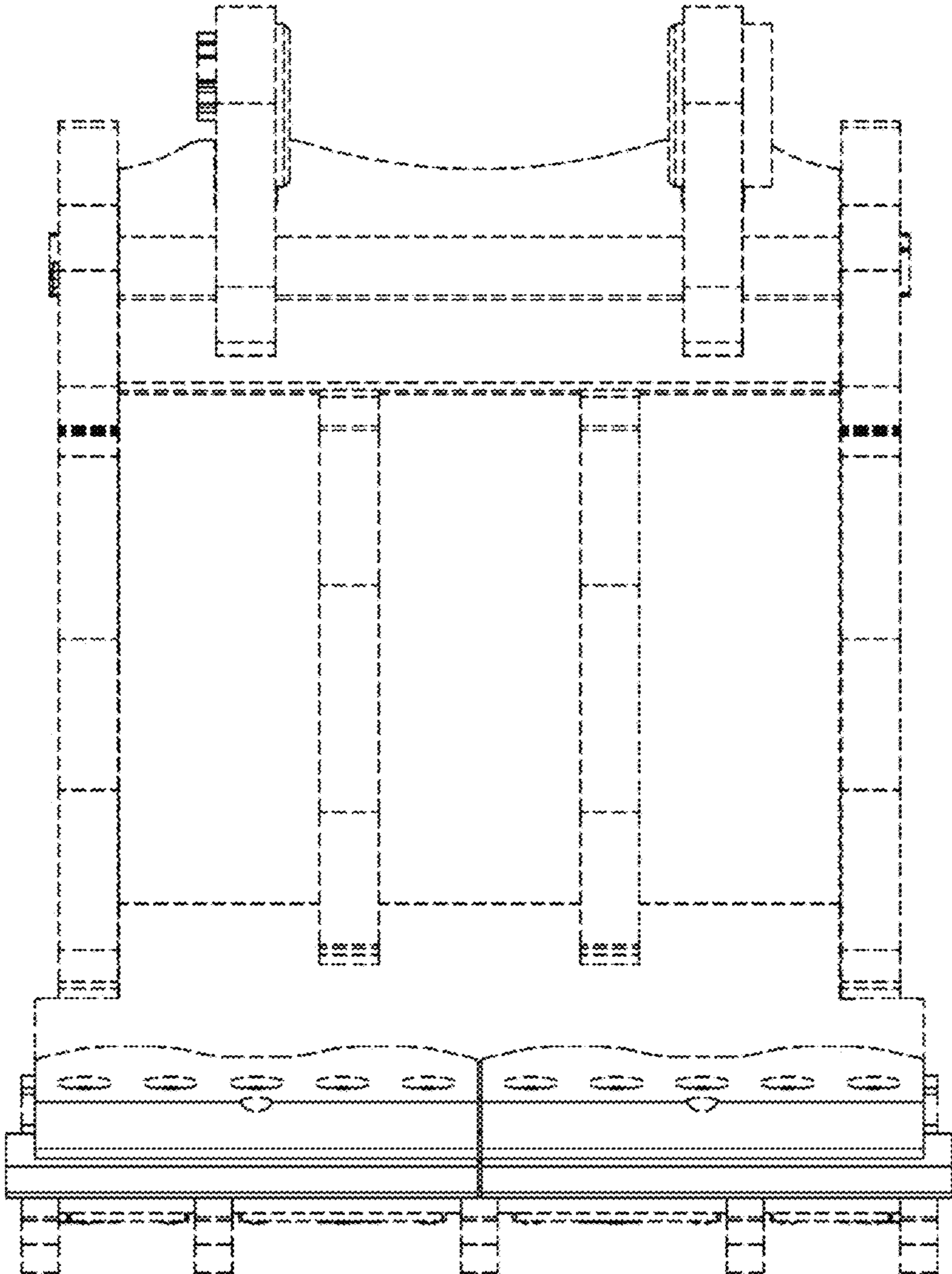
**FIGURE 2**



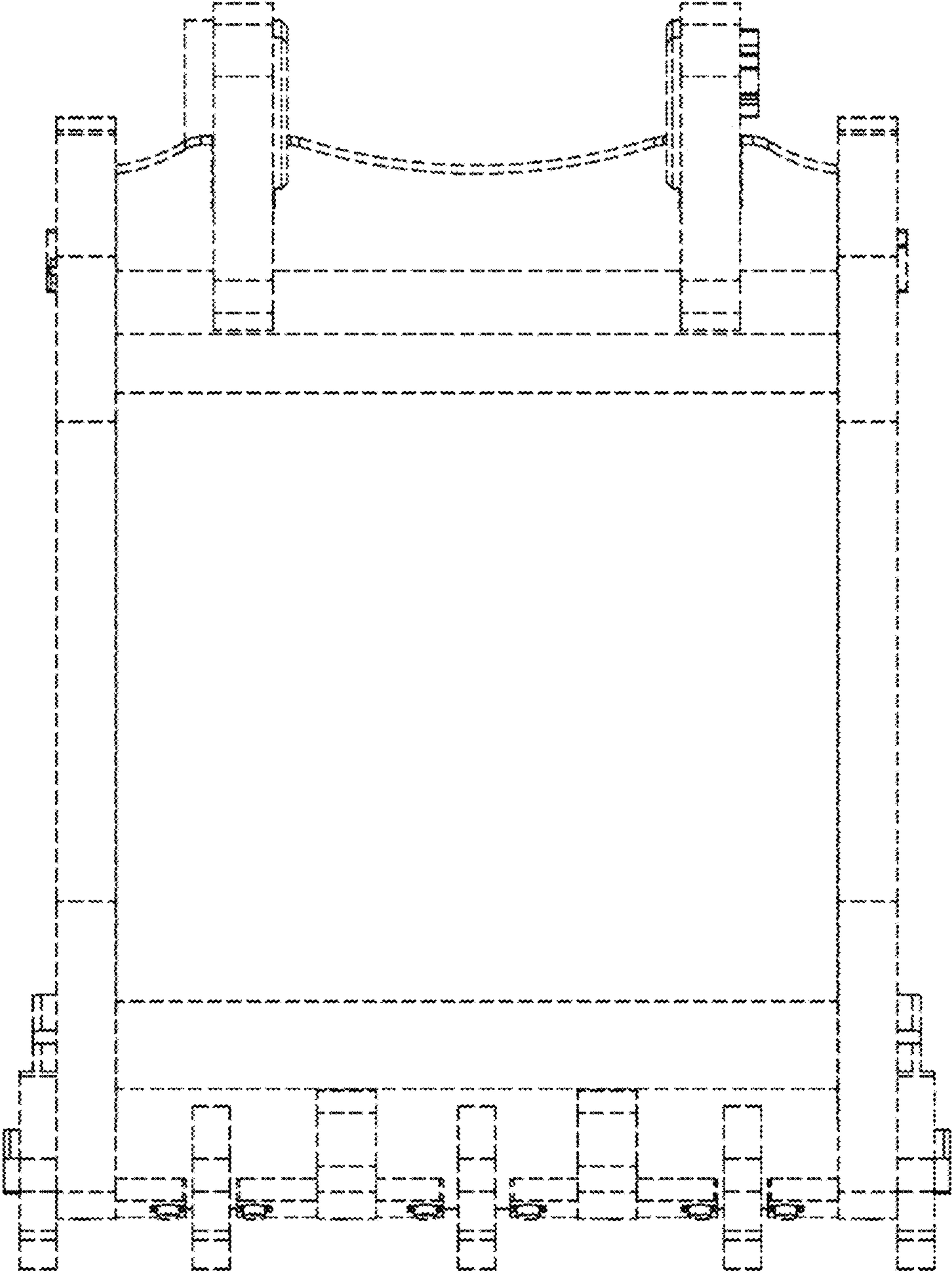
**FIGURE 3**



**FIGURE 4**



**FIGURE 5**



**FIGURE 6**



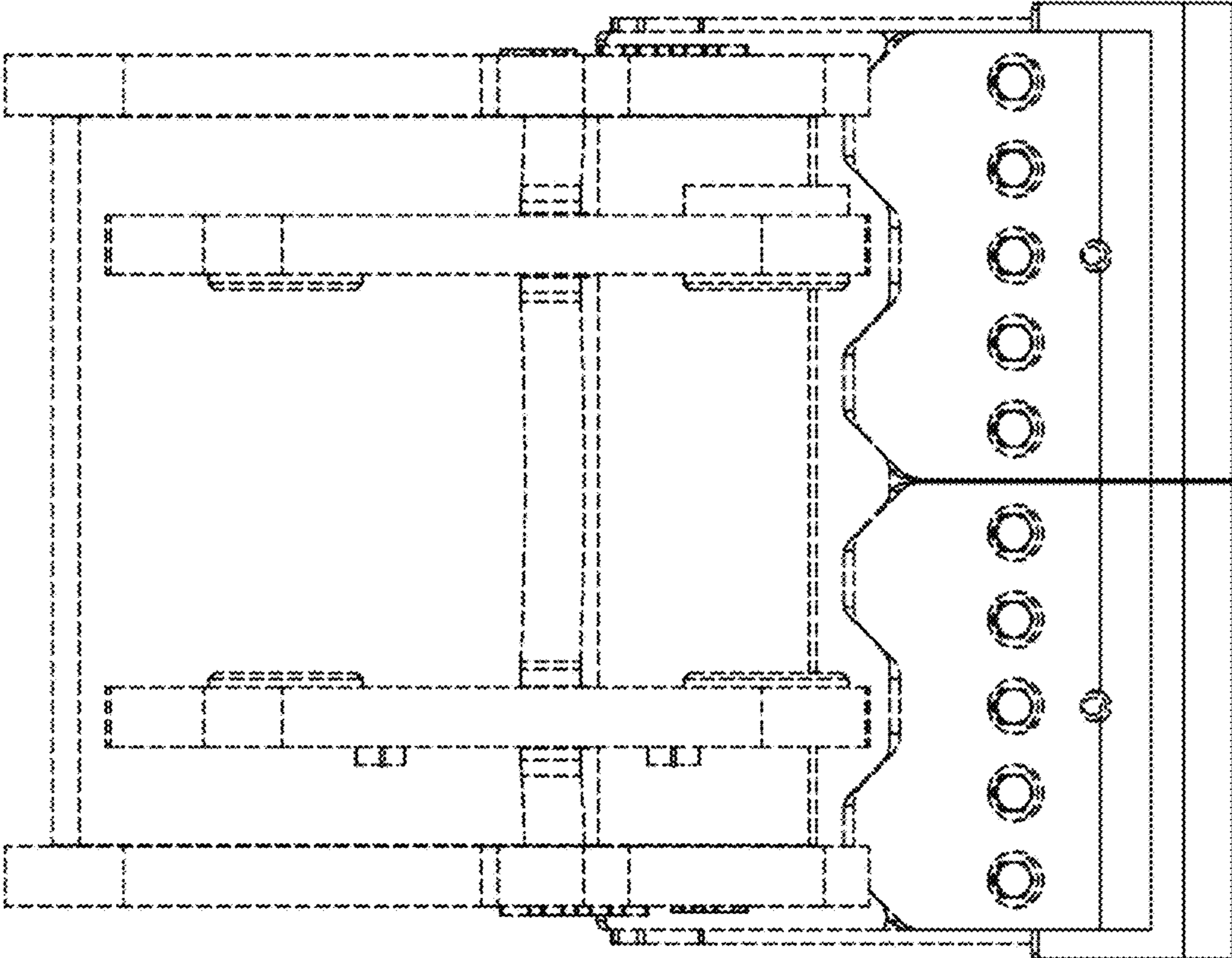


FIGURE 7

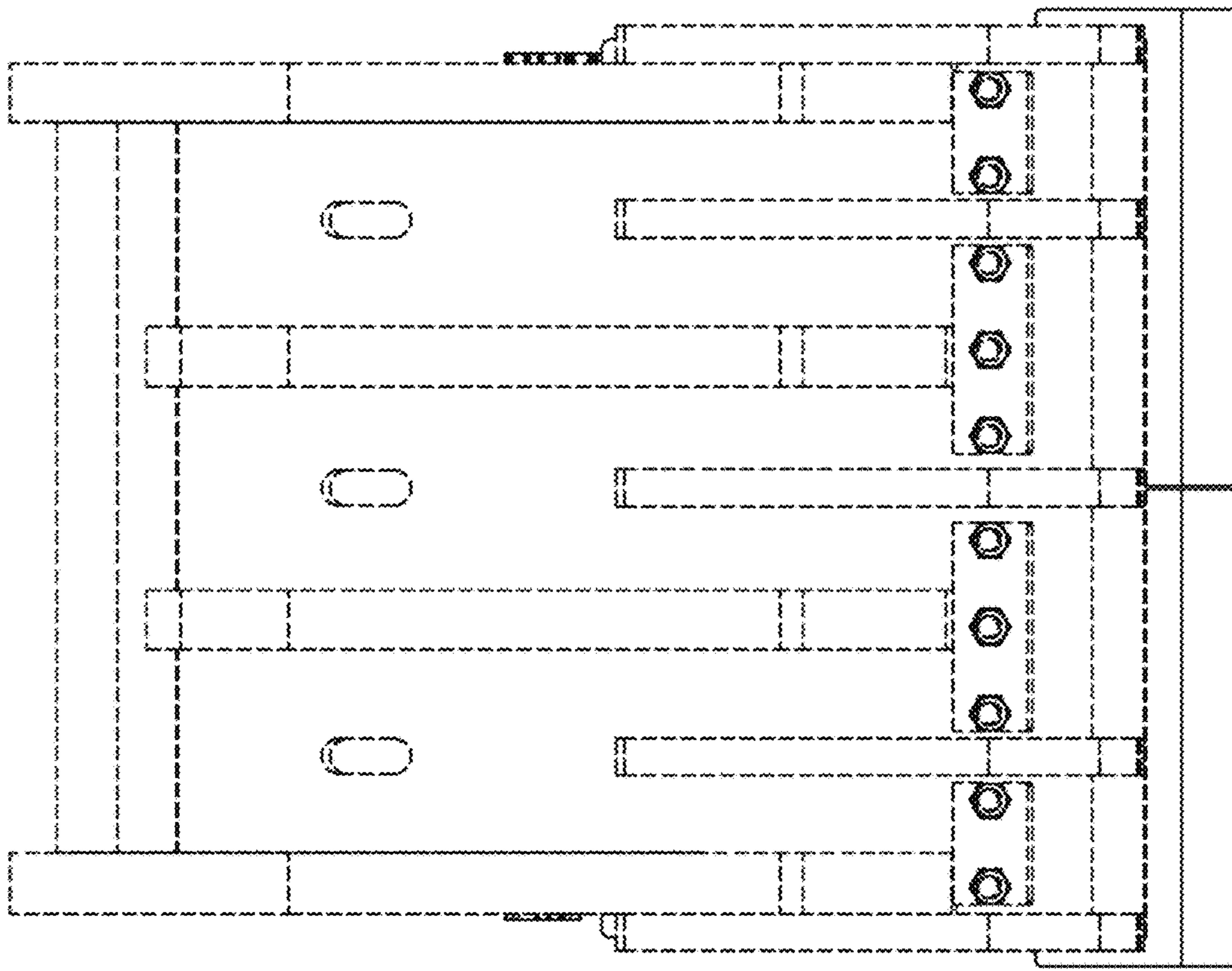
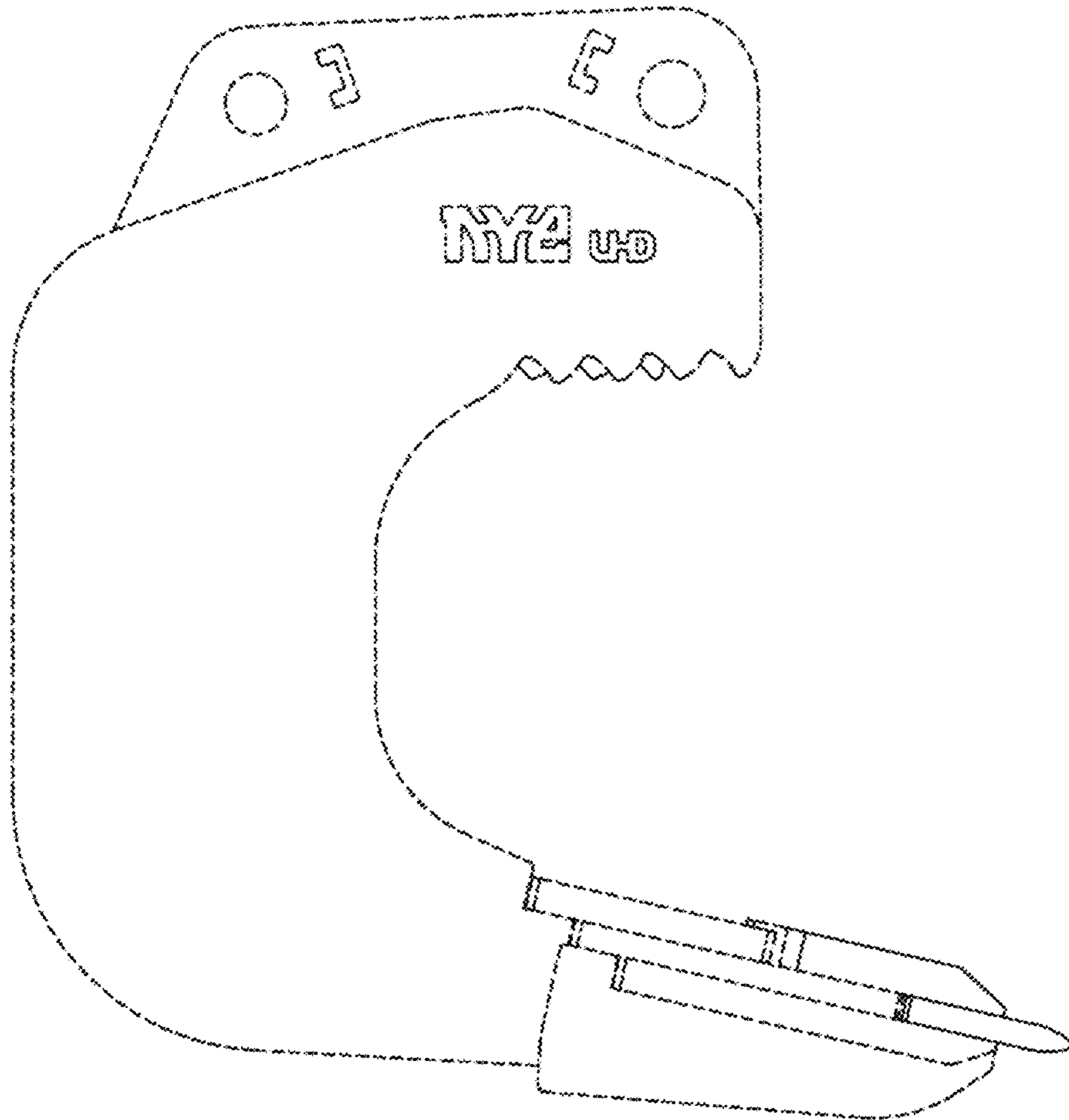
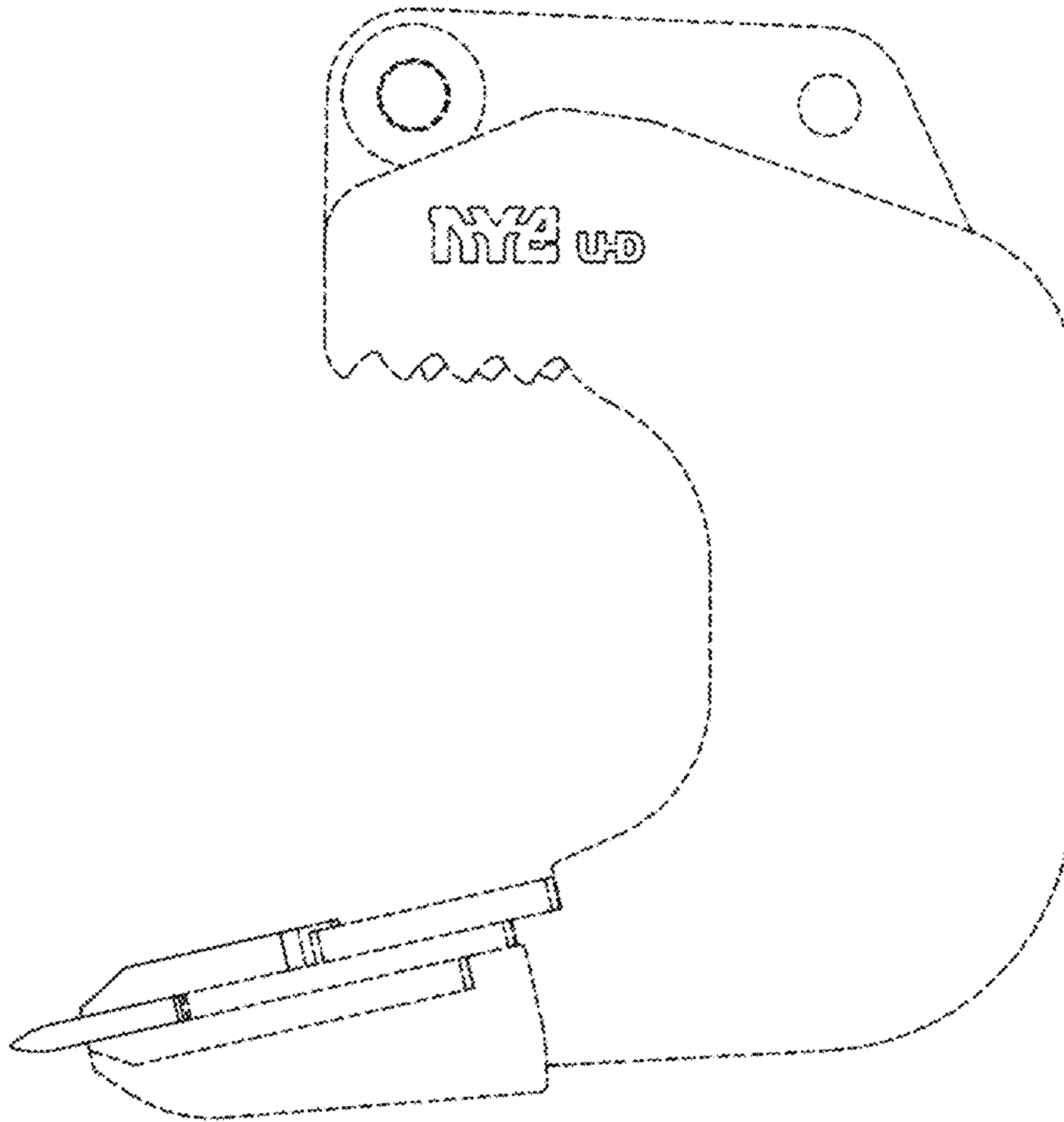


FIGURE 8



**FIGURE 9**



**FIGURE 10**