



US00D821453S

(12) **United States Design Patent** (10) **Patent No.:** **US D821,453 S**
Nagamoto et al. (45) **Date of Patent:** **** Jun. 26, 2018**

(54) **RUBBER CRAWLER**

FOREIGN PATENT DOCUMENTS

(71) Applicant: **BRIDGESTONE CORPORATION**,
Tokyo (JP)

JP 1107158 S 4/2001
JP 1517124 S 2/2015
KR 30-0260851 S 7/2000

(72) Inventors: **Shoko Nagamoto**, Tokyo (JP); **Takashi Mizusawa**, Tokyo (JP)

OTHER PUBLICATIONS

(73) Assignee: **BRIDGESTONE CORPORATION**,
Tokyo (JP)

JPO in the counterpart Japanese Design Application No. 2016-027007 dated May 9, 2017.

(**) Term: **15 Years**

Primary Examiner — Mark Goodwin

(21) Appl. No.: **29/607,424**

(74) *Attorney, Agent, or Firm* — Sughrue Mion, PLLC

(22) Filed: **Jun. 13, 2017**

(57) **CLAIM**

The ornamental design for a rubber crawler, as shown and described.

(30) **Foreign Application Priority Data**

DESCRIPTION

Dec. 13, 2016 (JP) 2016-027007

(51) **LOC (11) Cl.** **15-03**

(52) **U.S. Cl.**
USPC **D15/28**

(58) **Field of Classification Search**
USPC D15/22–26, 28; D21/491, 495, 537, 431,
D21/484; 152/108, 62, 88; 305/35, 44,
305/160, 185, 53, 201, 46, 50, 196, 198,
305/200, 39, 162, 187, 191, 189
CPC B62D 55/244; B62D 55/26; B62D 55/088;
B62D 55/24; B62D 55/084; B62D 55/14;
B62D 55/02; B62D 55/125; B62D 55/08;
B62D 55/00

See application file for complete search history.

FIG. 1 is a perspective view of a rubber crawler showing my new design;
FIG. 2 is a front view thereof, wherein the claimed rubber crawler can continue in directions above and below the portion illustrated;
FIG. 3 is a top view thereof;
FIG. 4 is a right side view thereof;
FIG. 5 is a left side view thereof;
FIG. 6 is a rear view thereof;
FIG. 7 is a bottom view thereof;
FIG. 8 is a section view taken along line 8-8 in FIG. 2;
FIG. 9 is a section view taken along line 9-9 in FIG. 2;
FIG. 10 is a section view taken along line 10-10 in FIG. 2;
FIG. 11 is a fragmentary enlarged front view showing the details of the portion surrounded by the dashed line 11 in FIG. 2; and,
FIG. 12 is a section view taken along line 12-12 in FIG. 11 between lines 12-12 in FIG. 3.

The broken lines are used to show portions of the rubber crawler that are unclaimed and thus form no part of the claimed design.

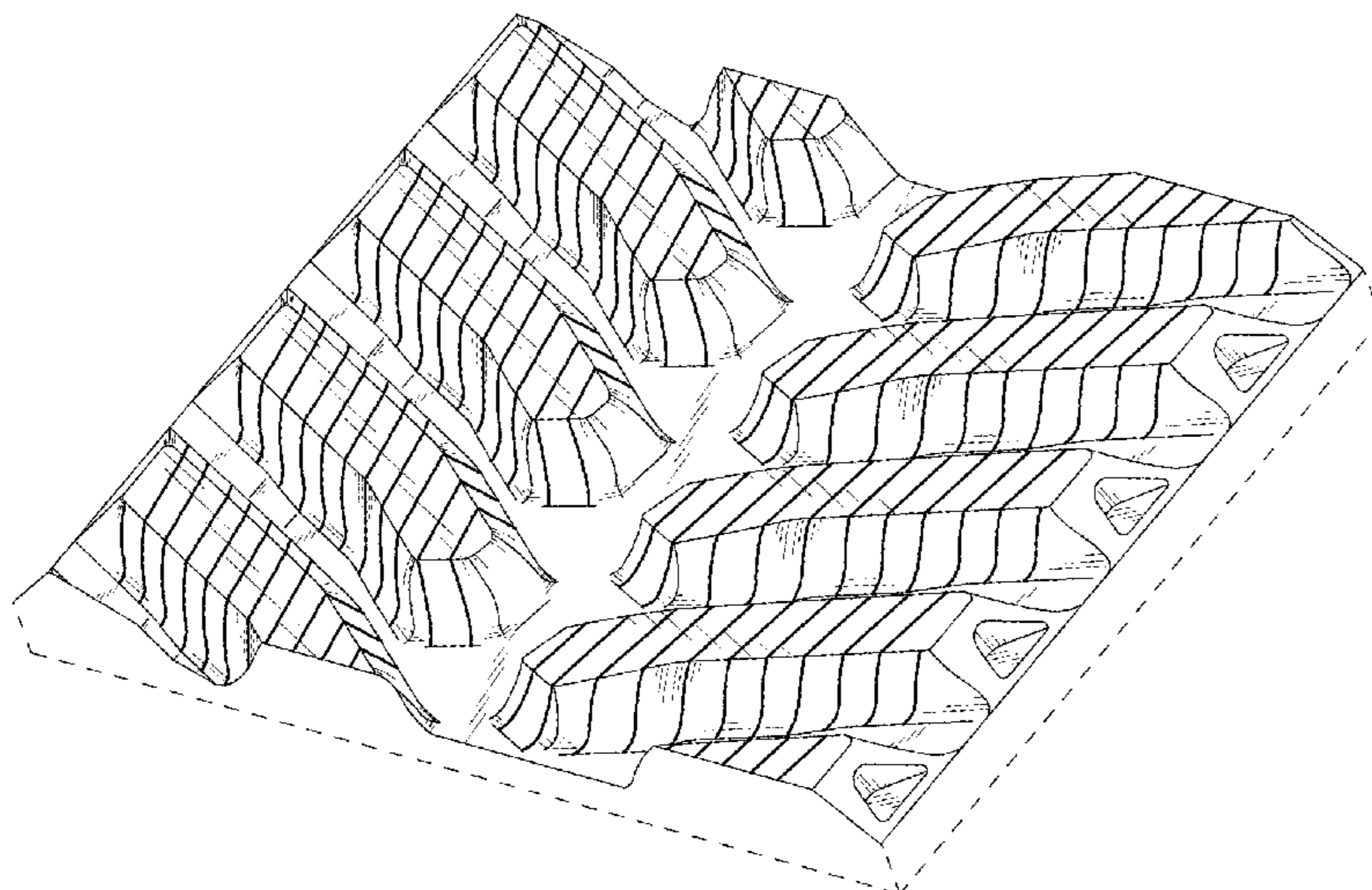
(56) **References Cited**

U.S. PATENT DOCUMENTS

D454,890 S * 3/2002 Tsuru D15/28
D455,444 S * 4/2002 Tsuru D15/28
D496,051 S * 9/2004 Yoshida D15/28
D514,133 S * 1/2006 Fujita D15/28
D561,786 S * 2/2008 Tateishi D15/28

(Continued)

1 Claim, 12 Drawing Sheets



(56)

References Cited

U.S. PATENT DOCUMENTS

D562,353	S	*	2/2008	Sugihara	D15/28
D562,852	S	*	2/2008	Tateishi	D15/28
D565,605	S	*	4/2008	Tateishi	D15/28
D565,606	S	*	4/2008	Sugihara	D15/28
D567,823	S	*	4/2008	Hagio	D15/28
D569,393	S	*	5/2008	Tateishi	D15/28
D602,962	S	*	10/2009	Miyamoto	D15/28
D615,105	S	*	5/2010	Abiko	D15/28
D615,106	S	*	5/2010	Shimozono	D15/28
D618,254	S	*	6/2010	Shimozono	D15/28
D626,973	S	*	11/2010	Shimozono	D15/28
D669,503	S	*	10/2012	Nomizo	D15/28
D672,792	S	*	12/2012	Nomizo	D15/28
D694,283	S	*	11/2013	Shimozono	D15/28
D723,070	S	*	2/2015	Sugihara	D15/28
D723,590	S	*	3/2015	Tateishi	D15/28
D724,107	S	*	3/2015	Tateishi	D15/28
D724,628	S	*	3/2015	Tateishi	D15/28
D725,682	S	*	3/2015	Tateishi	D15/28

* cited by examiner

FIG. 1

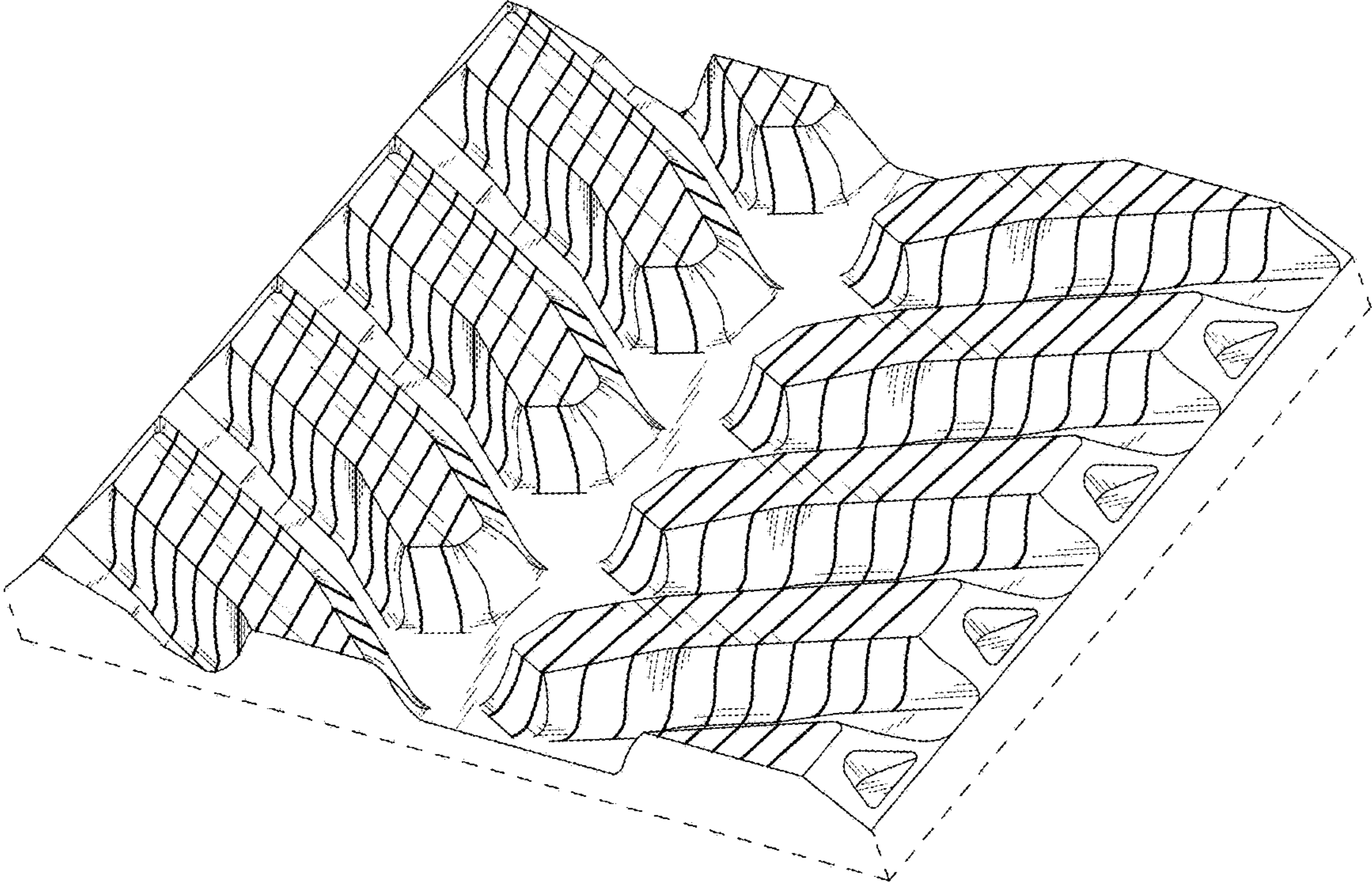


FIG. 2

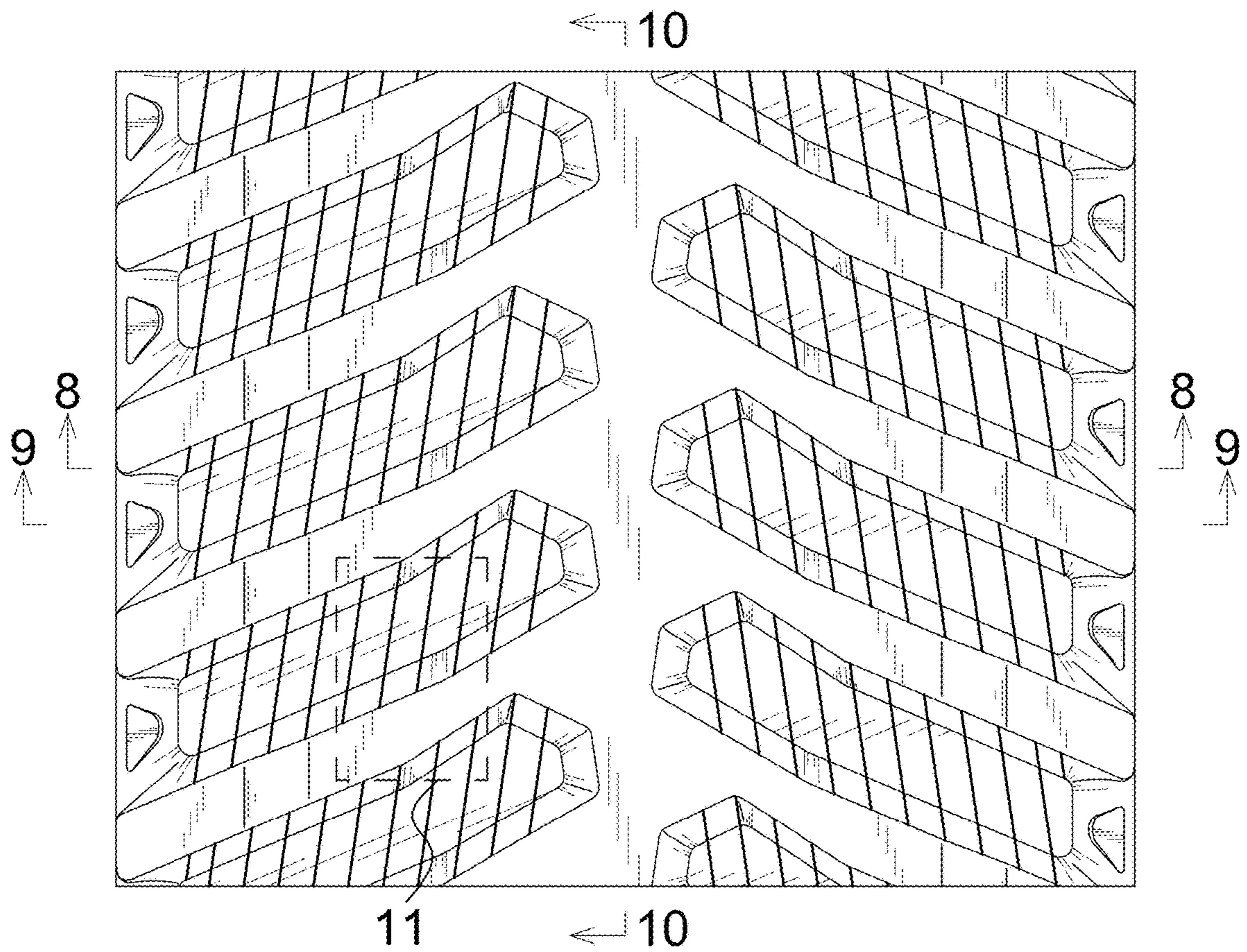


FIG. 3

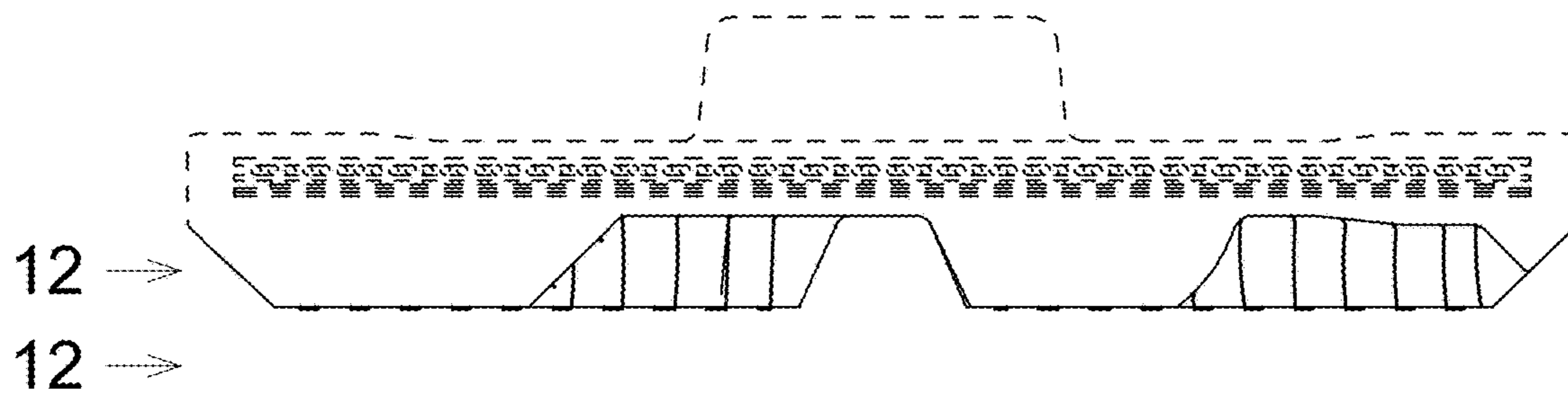


FIG. 4

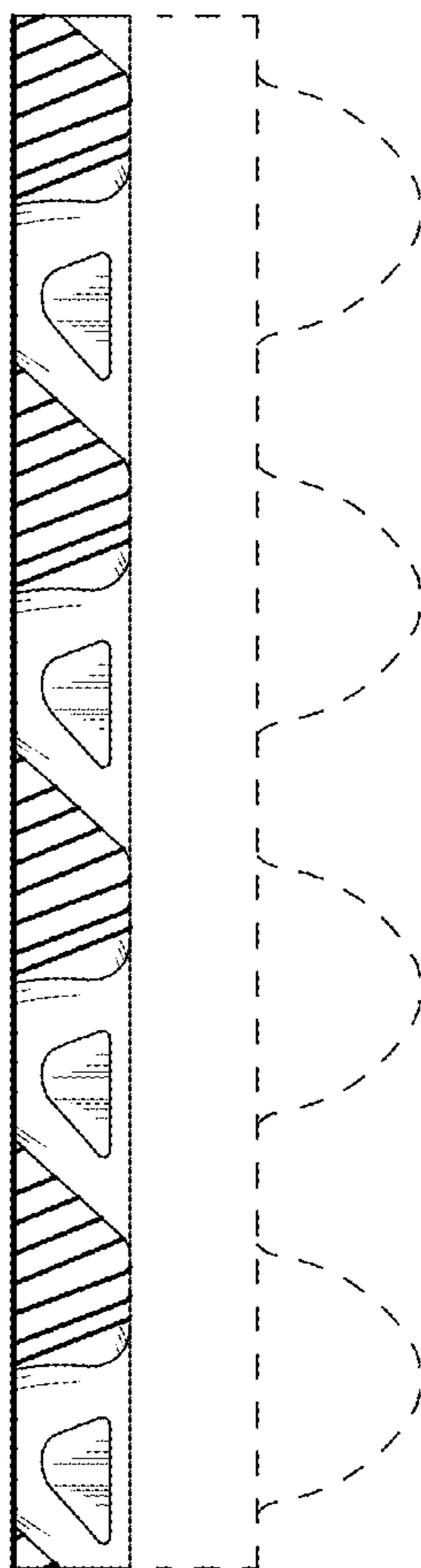


FIG. 5

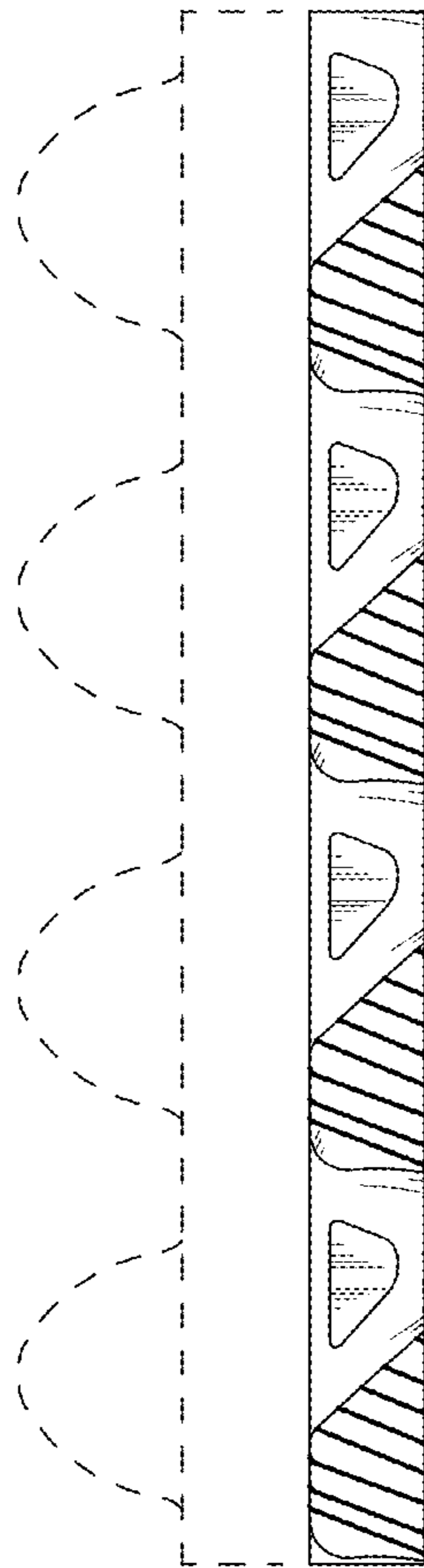


FIG. 6

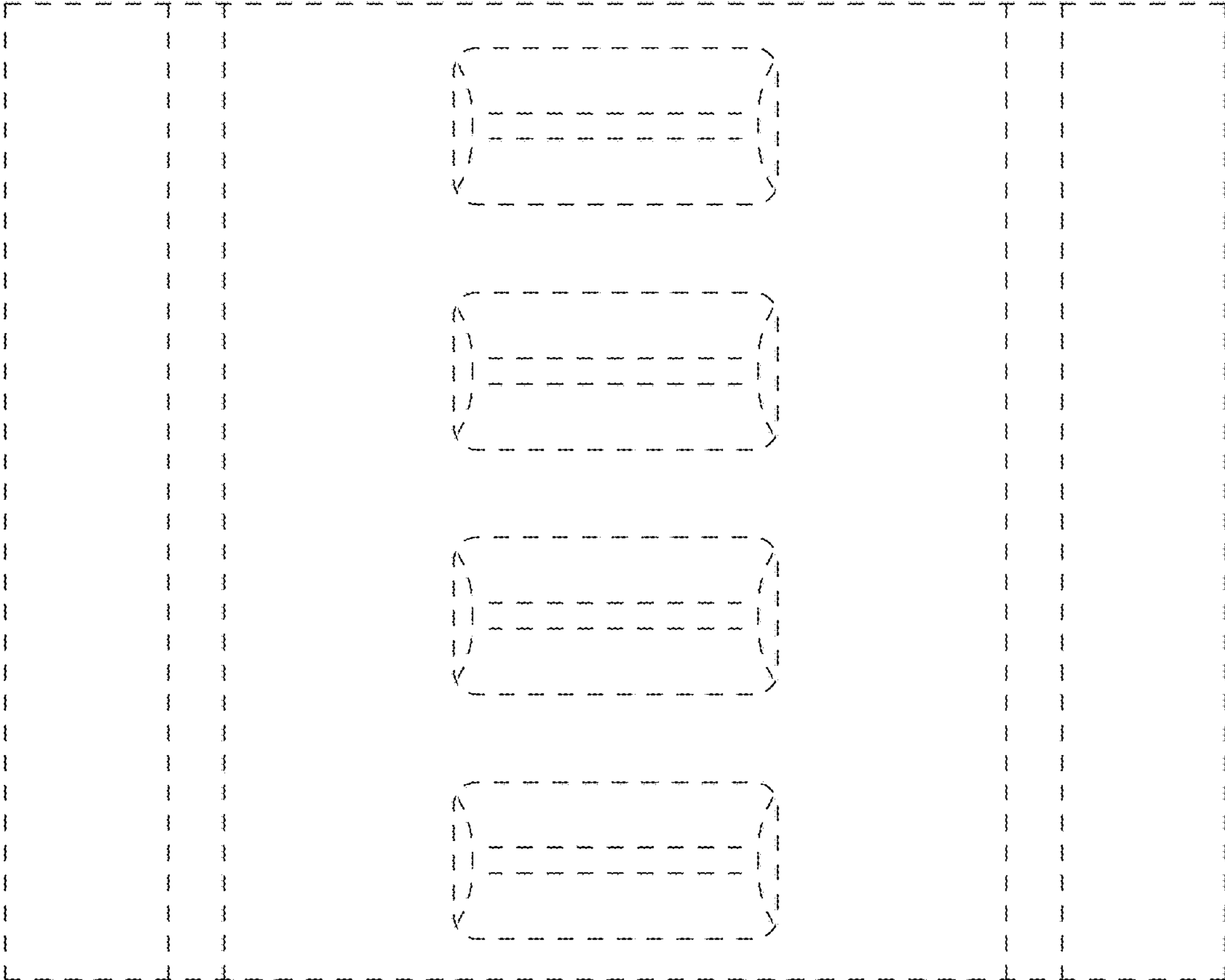


FIG. 7

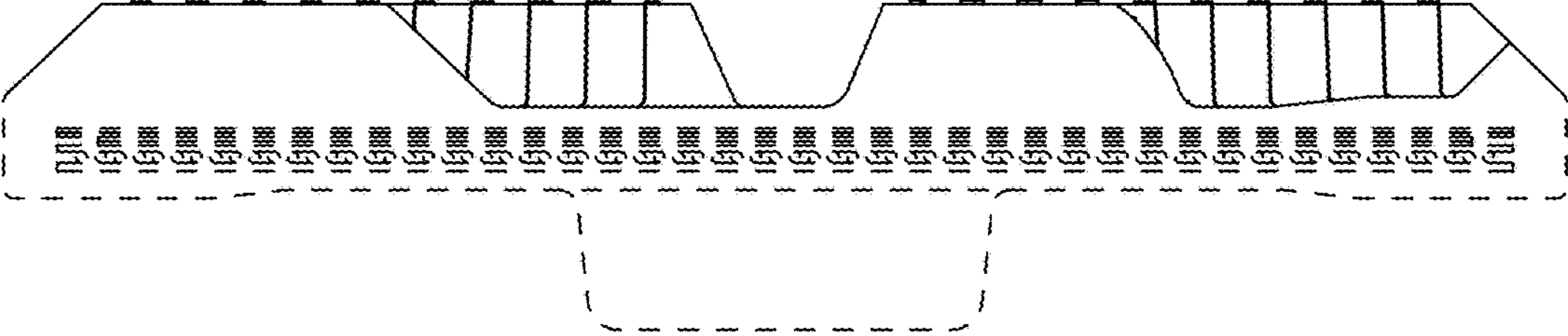


FIG. 8

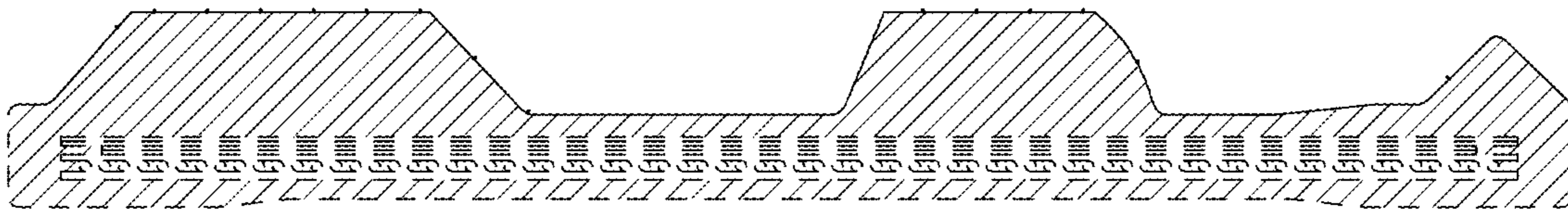


FIG. 9

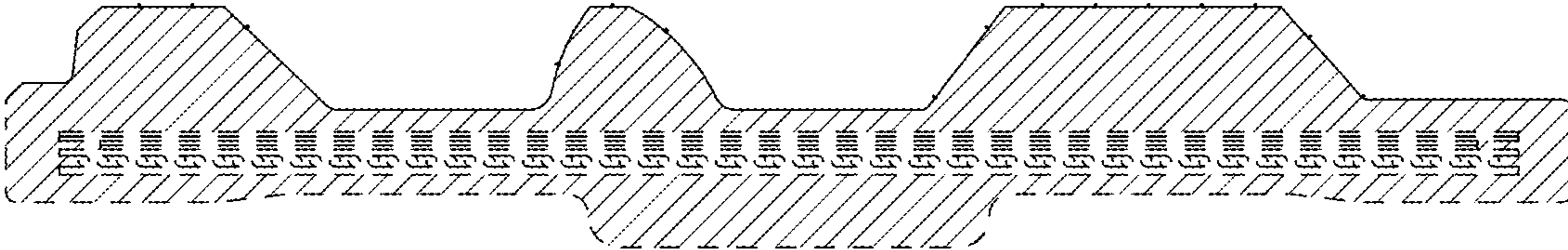


FIG. 10

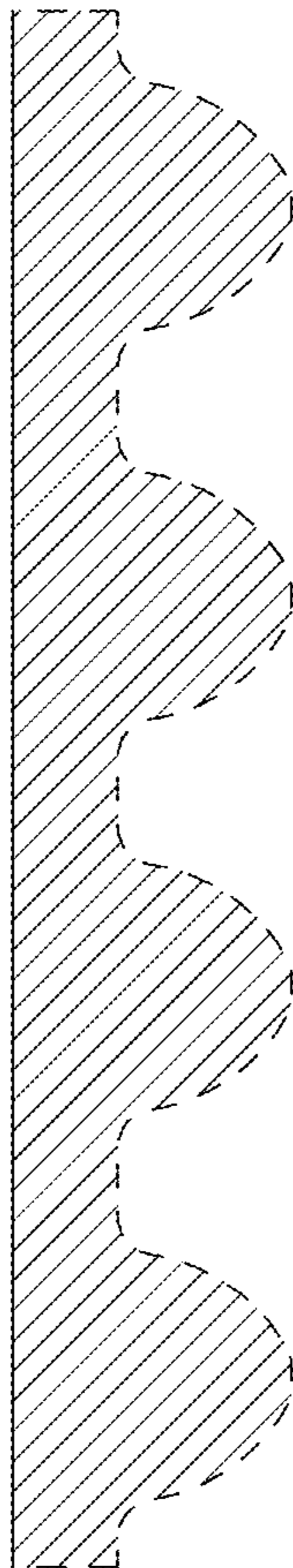


FIG. 11

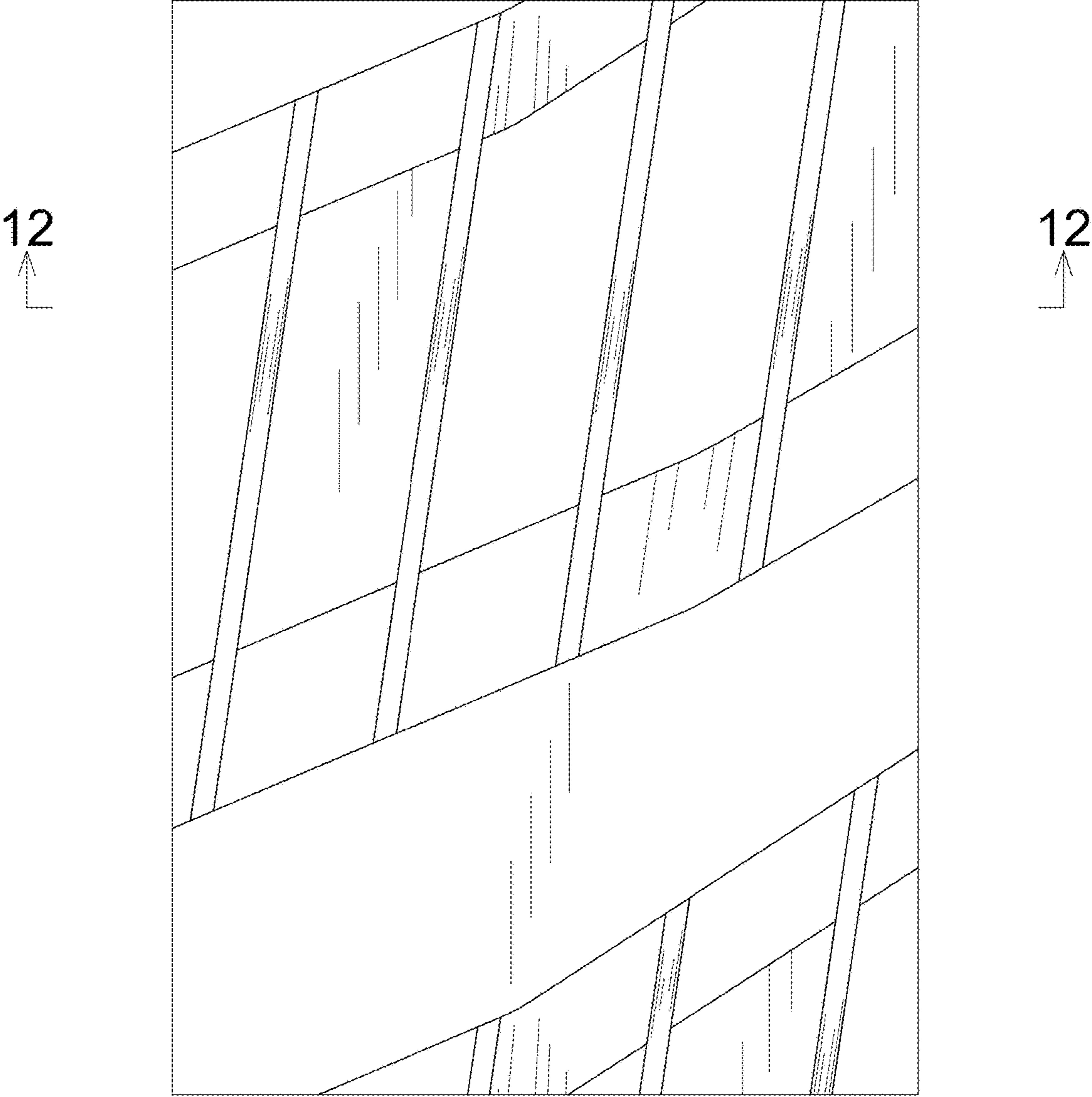


FIG. 12

