



US00D821451S

(12) **United States Design Patent**
Paterson

(10) **Patent No.:** **US D821,451 S**
(45) **Date of Patent:** **** Jun. 26, 2018**

(54) **AGRICULTURAL TILLAGE IMPLEMENT**

(71) Applicant: **K S Paterson Nominees Pty Ltd**, Bute (AU)

(72) Inventor: **Kentyn Scott Paterson**, Bute (AU)

(73) Assignee: **K S Paterson Nominees Pty Ltd**, Bute, South Australia (AU)

(**) Term: **15 Years**

(21) Appl. No.: **29/603,049**

(22) Filed: **May 5, 2017**

(30) **Foreign Application Priority Data**

Mar. 17, 2017 (EM) 003805779

(51) **LOC (11) Cl.** **15-03**

(52) **U.S. Cl.**
USPC **D15/28**

(58) **Field of Classification Search**

USPC D15/10, 11, 27, 28, 29, 33, 17; 172/579, 172/311, 568, 612, 468, 637, 662, 684.5, 172/689, 551, 576, 595, 455, 518, 527, 172/567, 586, 142, 152, 154, 178, 181, 172/196, 442, 440, 441, 314, 548, 454, 172/583, 140, 776, 22, 145-147, 175, 172/669, 657

CPC A01B 23/06; A01B 21/08; A01B 31/00
See application file for complete search history.

(56) **References Cited**

U.S. PATENT DOCUMENTS

130,451 A * 8/1872 Swift A01B 31/00
172/612
250,242 A 11/1881 Haxton
D32,485 S 4/1900 Heine
738,361 A 9/1903 Schlosser
1,375,724 A 4/1921 Oponiak et al.

1,702,946 A 2/1929 Powers et al.
2,145,990 A 2/1939 Nelson
2,825,983 A 3/1958 Finn
3,126,865 A 3/1964 Wiegardt, Jr.
3,310,122 A 3/1967 Mack
(Continued)

FOREIGN PATENT DOCUMENTS

AU 344028 8/2012
AU 344376 9/2012
(Continued)

Primary Examiner — Mark Goodwin

(74) *Attorney, Agent, or Firm* — Michael Best & Friedrich LLP

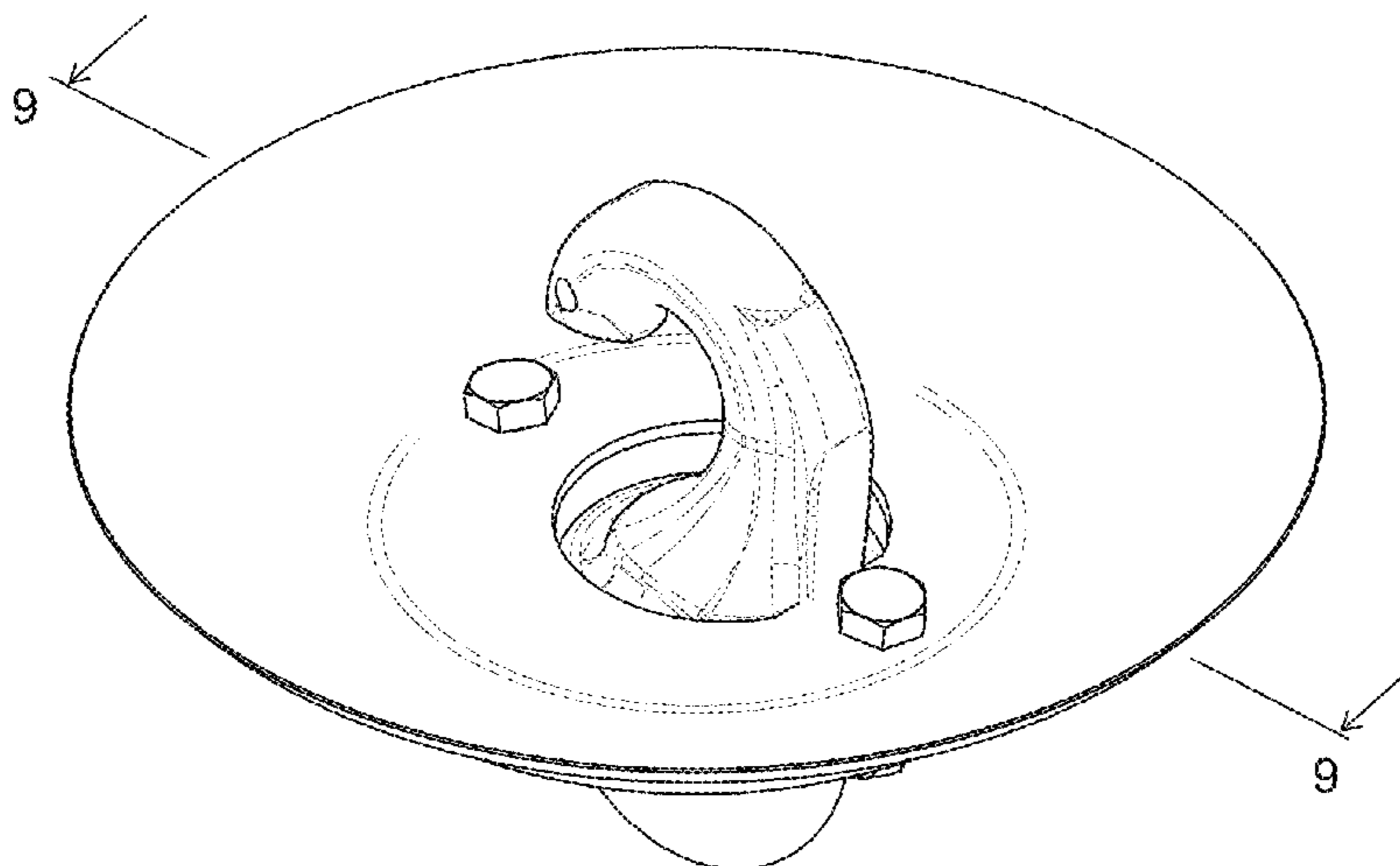
(57) **CLAIM**

I claim the ornamental design for an agricultural tillage implement, as shown and described.

DESCRIPTION

FIG. 1 is a first perspective view of an agricultural tillage implement showing our new design.
FIG. 2 is a second perspective view of the agricultural tillage implement shown in FIG. 1.
FIG. 3 is a third perspective view of the agricultural tillage implement shown in FIG. 1.
FIG. 4 is a fourth perspective view of the agricultural tillage implement shown in FIG. 1.
FIG. 5 is a first plan view of the agricultural tillage implement shown in FIG. 1.
FIG. 6 is a second plan view of the agricultural tillage implement shown in FIG. 1.
FIG. 7 is a first elevation view of the agricultural tillage implement shown in FIG. 1.
FIG. 8 is a second elevation view of the agricultural tillage implement shown in FIG. 1; and,
FIG. 9 is a cross-sectional view of the agricultural tillage implement shown in FIG. 1, viewed along section 9--9.

1 Claim, 9 Drawing Sheets



(56)

References Cited

U.S. PATENT DOCUMENTS

3,331,489 A 7/1967 Mattson
 3,603,078 A 9/1971 Schwiebert et al.
 3,906,716 A 9/1975 Dock
 D245,910 S 9/1977 Van Der Lely
 4,582,142 A 4/1986 Bridge
 4,685,555 A 8/1987 Smith
 D299,239 S 1/1989 Henningsen
 D299,240 S 1/1989 Henningsen
 4,893,463 A 1/1990 Woolford
 4,893,682 A 1/1990 Smallacombe
 5,000,270 A 3/1991 Phillips
 5,143,160 A 9/1992 May
 D342,526 S 12/1993 Chandler
 5,662,173 A 9/1997 Blesing
 D384,680 S 10/1997 Franet
 D412,711 S 8/1999 Bruns
 D465,988 S 11/2002 Green
 6,484,812 B1 11/2002 Clark
 6,959,769 B2 11/2005 Merten et al.
 7,137,239 B2 11/2006 Paterson
 7,607,489 B2 10/2009 Kelly et al.
 D609,552 S 2/2010 Anderson et al.

D615,107 S 5/2010 Kelly et al.
 D615,108 S 5/2010 Kelly et al.
 D623,500 S 9/2010 Langner et al.
 D624,938 S 10/2010 Kelly et al.
 D629,428 S 12/2010 Paterson
 7,963,345 B1 6/2011 Hicks et al.
 D694,284 S 11/2013 Paterson
 D694,285 S 11/2013 Paterson
 D694,286 S 11/2013 Bruce
 D700,219 S 2/2014 Paterson
 D707,264 S 6/2014 Renski et al.
 D736,269 S 8/2015 Paterson
 D742,725 S * 11/2015 Paterson D8/367
 D748,680 S * 2/2016 Ainge D15/29
 D780,814 S * 3/2017 Ainge D15/29
 2005/0262823 A1 12/2005 Paterson
 2010/0018731 A1 1/2010 Kelly et al.
 2012/0247795 A1 10/2012 Hicks et al.

FOREIGN PATENT DOCUMENTS

AU 344377 9/2012
 AU 344815 10/2012

* cited by examiner

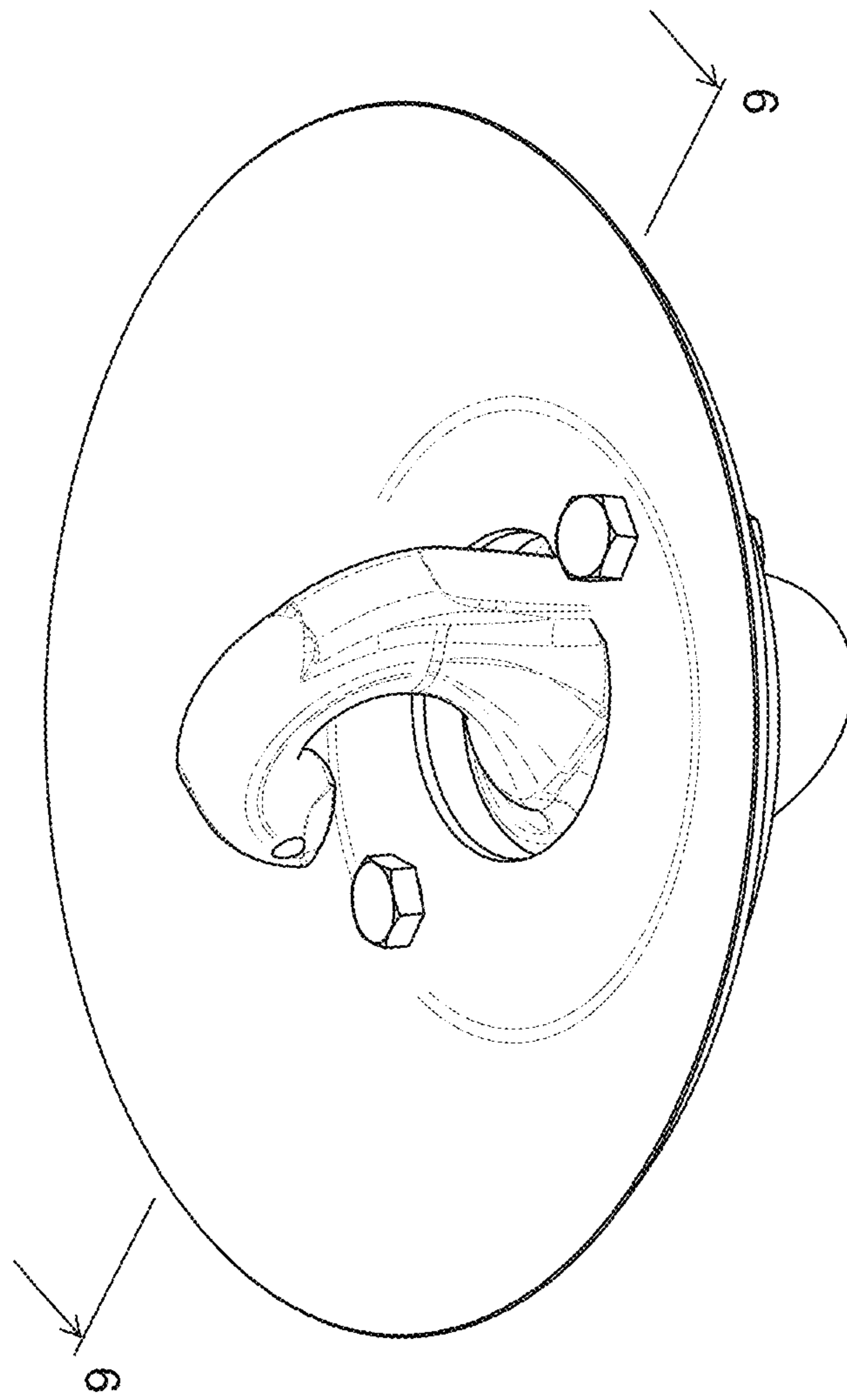


FIG. 1

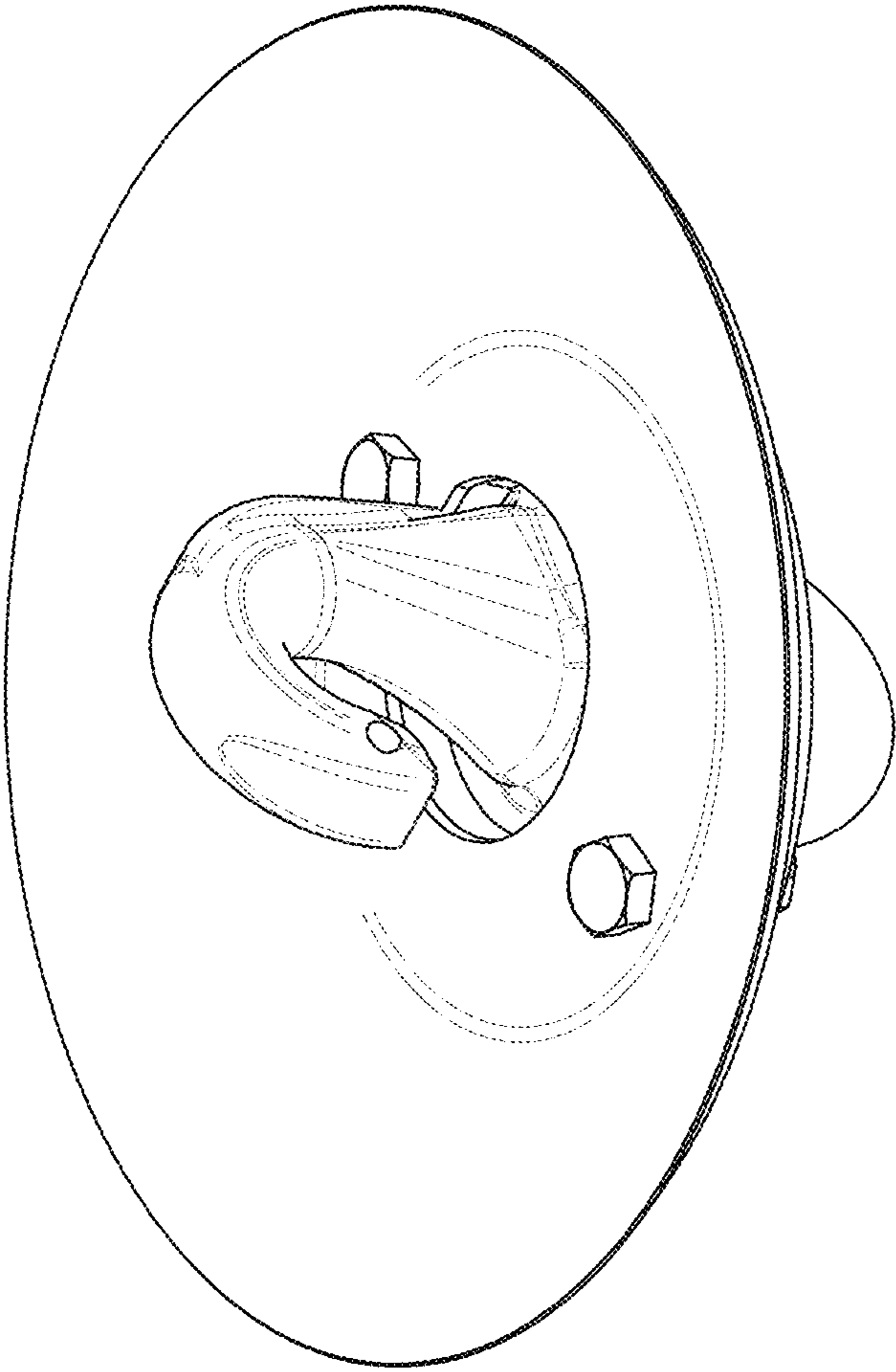


FIG. 2

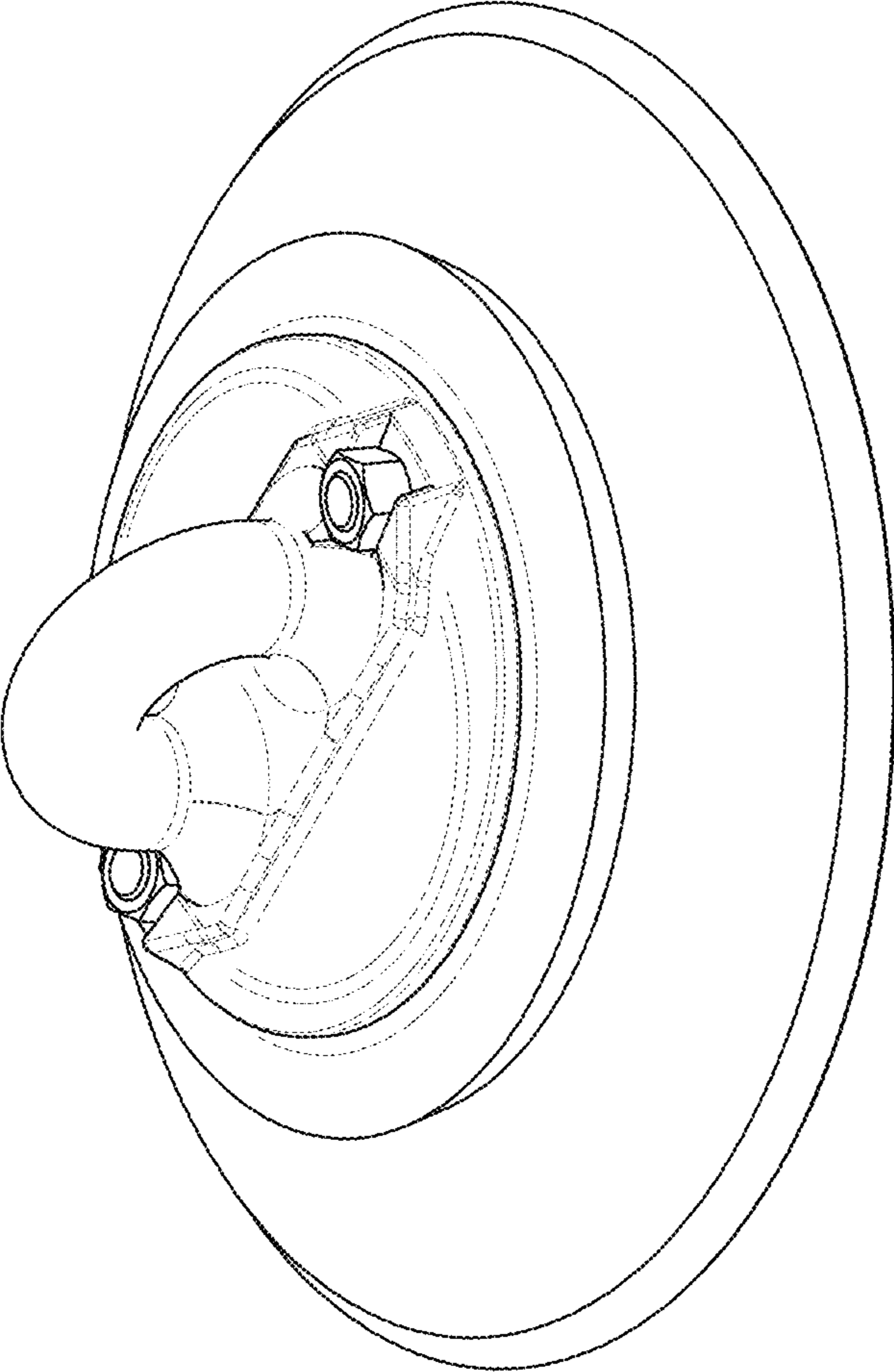


FIG. 3

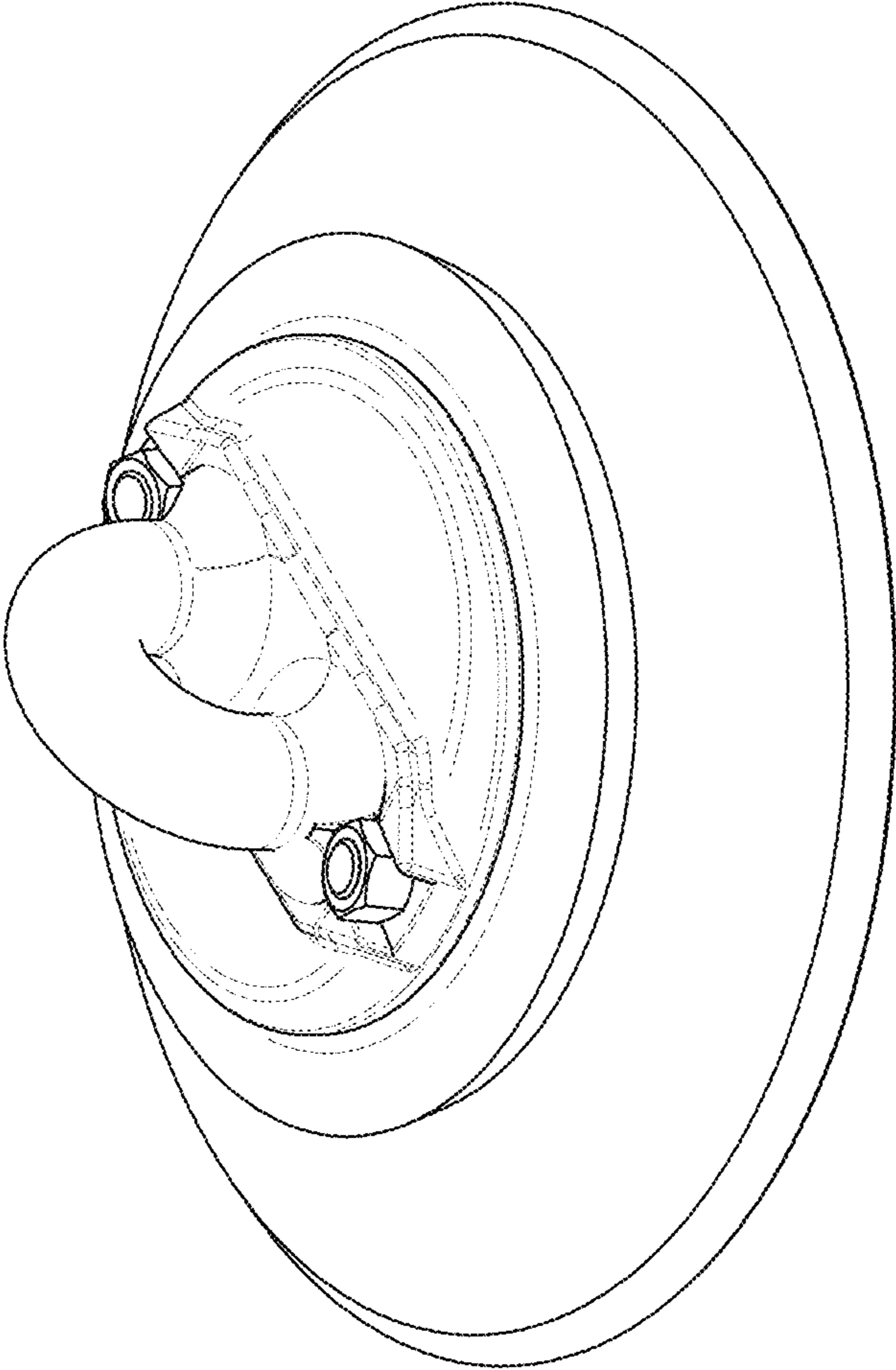


FIG. 4

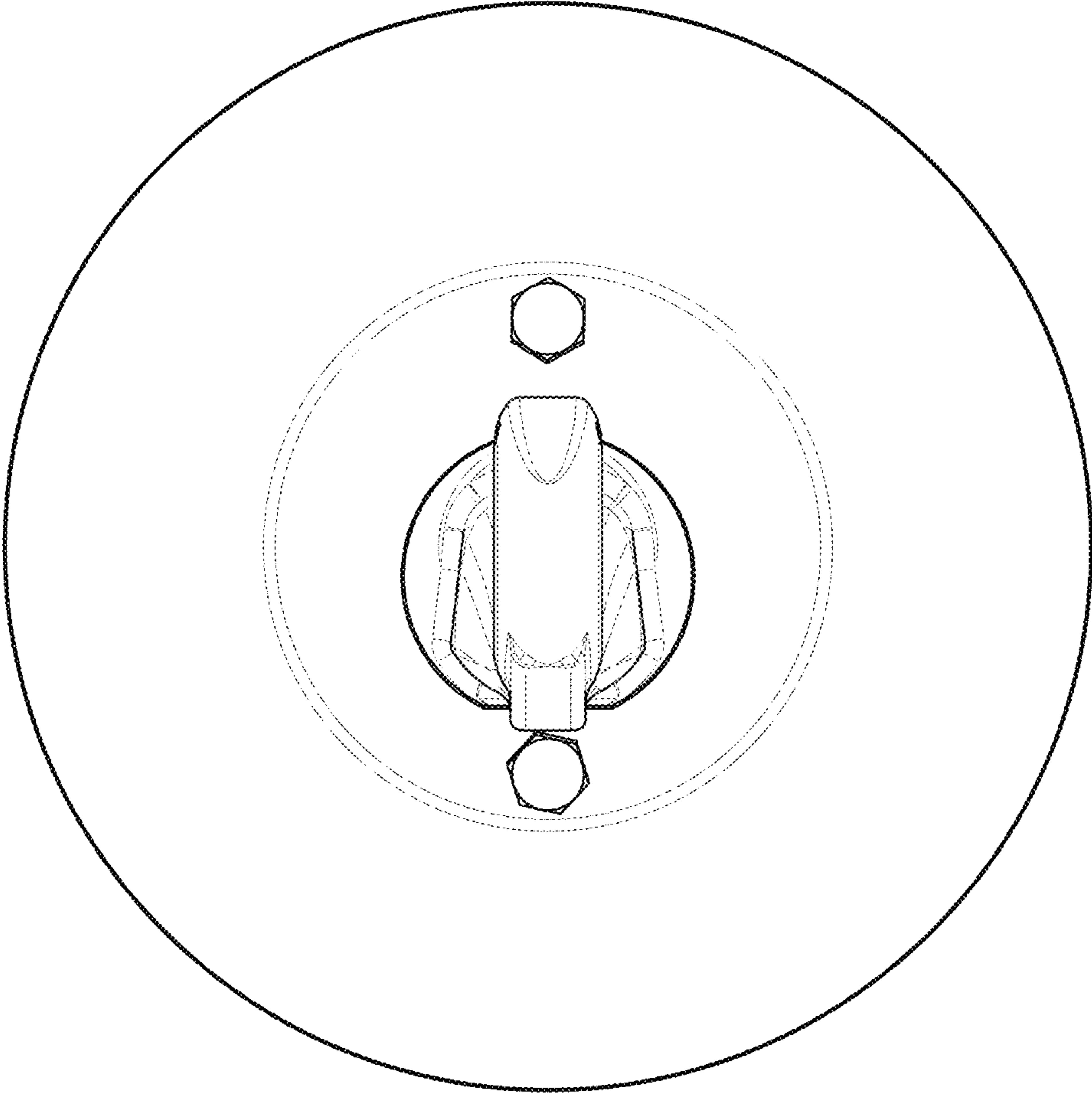


FIG. 5

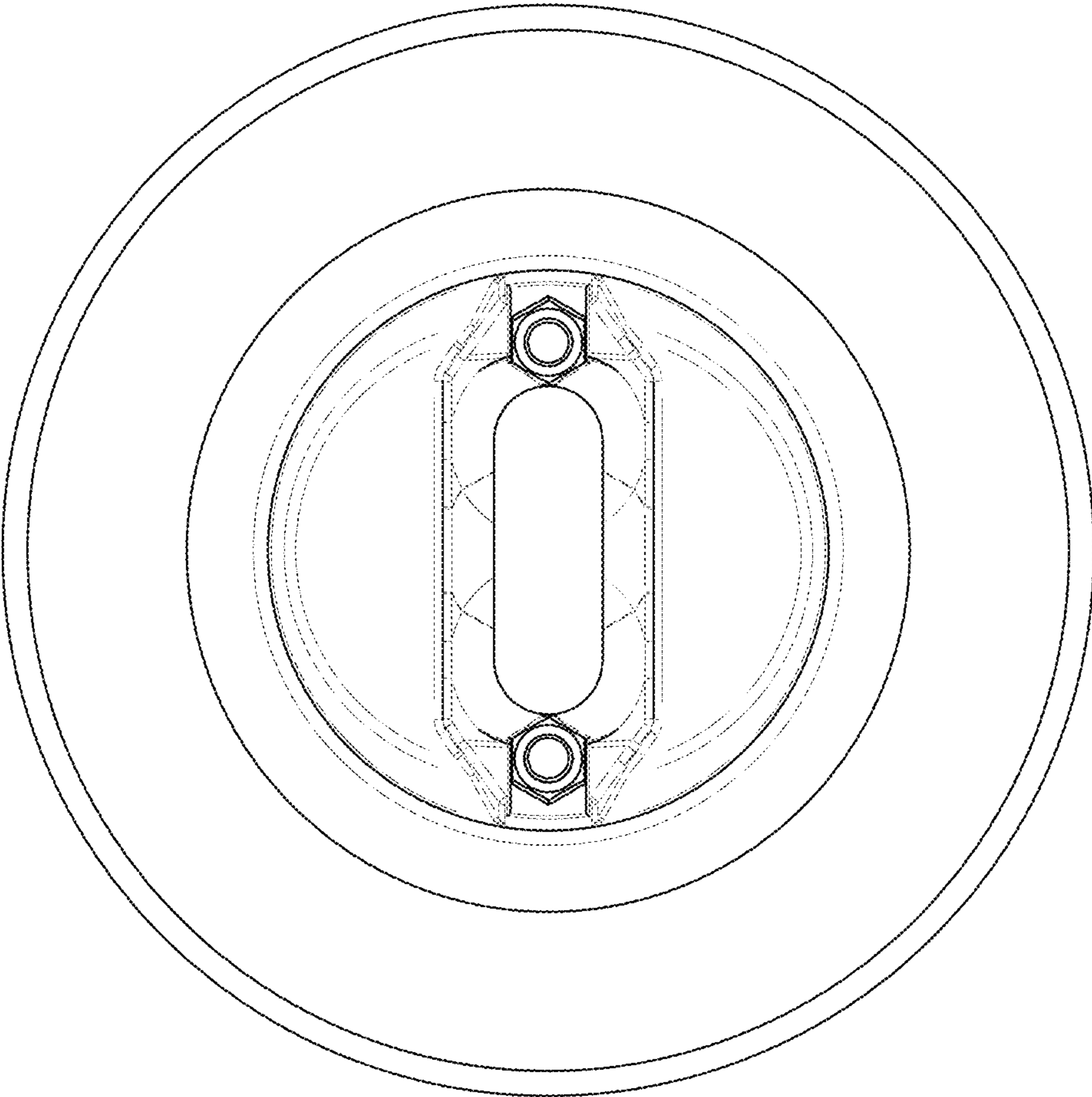


FIG. 6

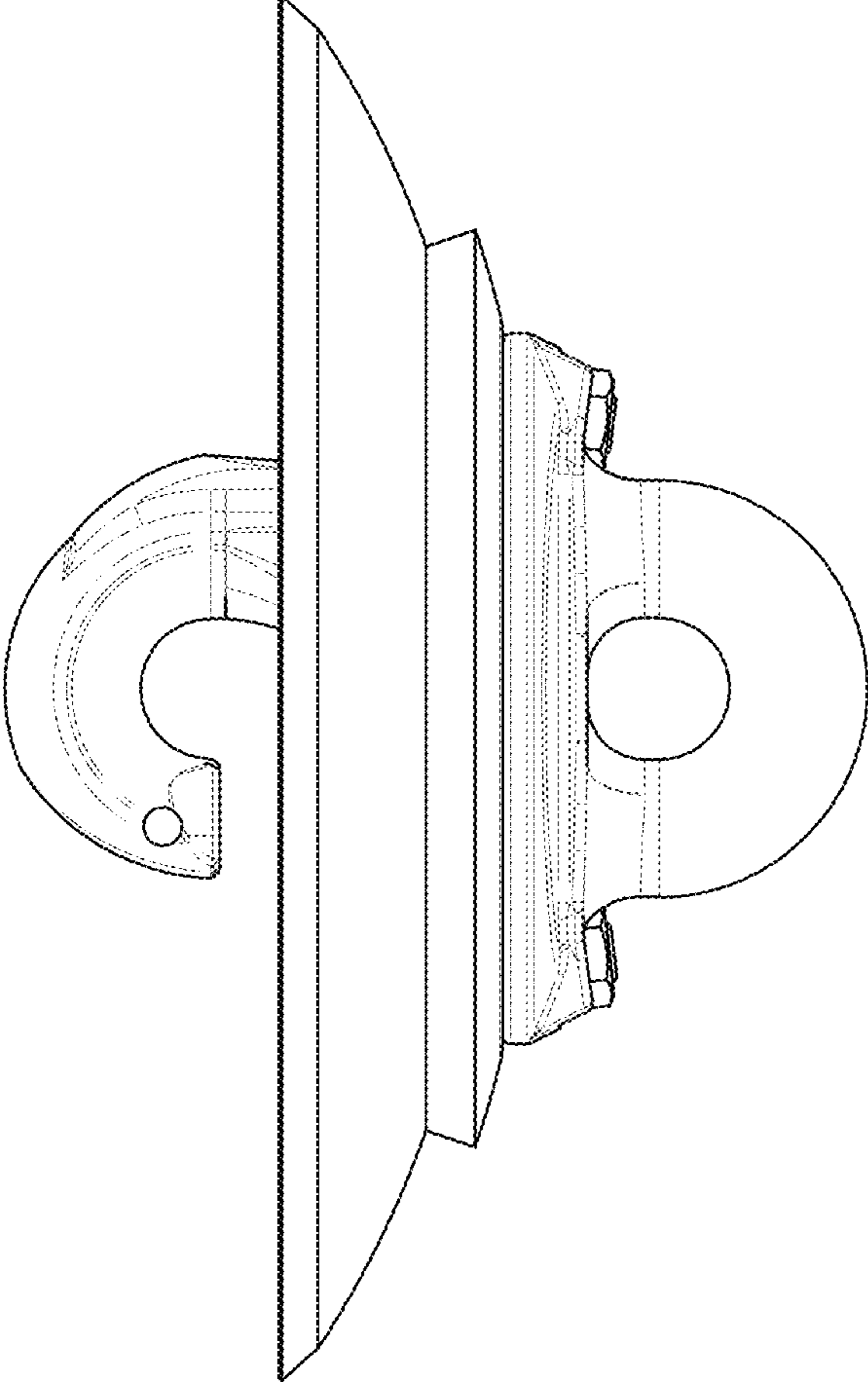


FIG. 7

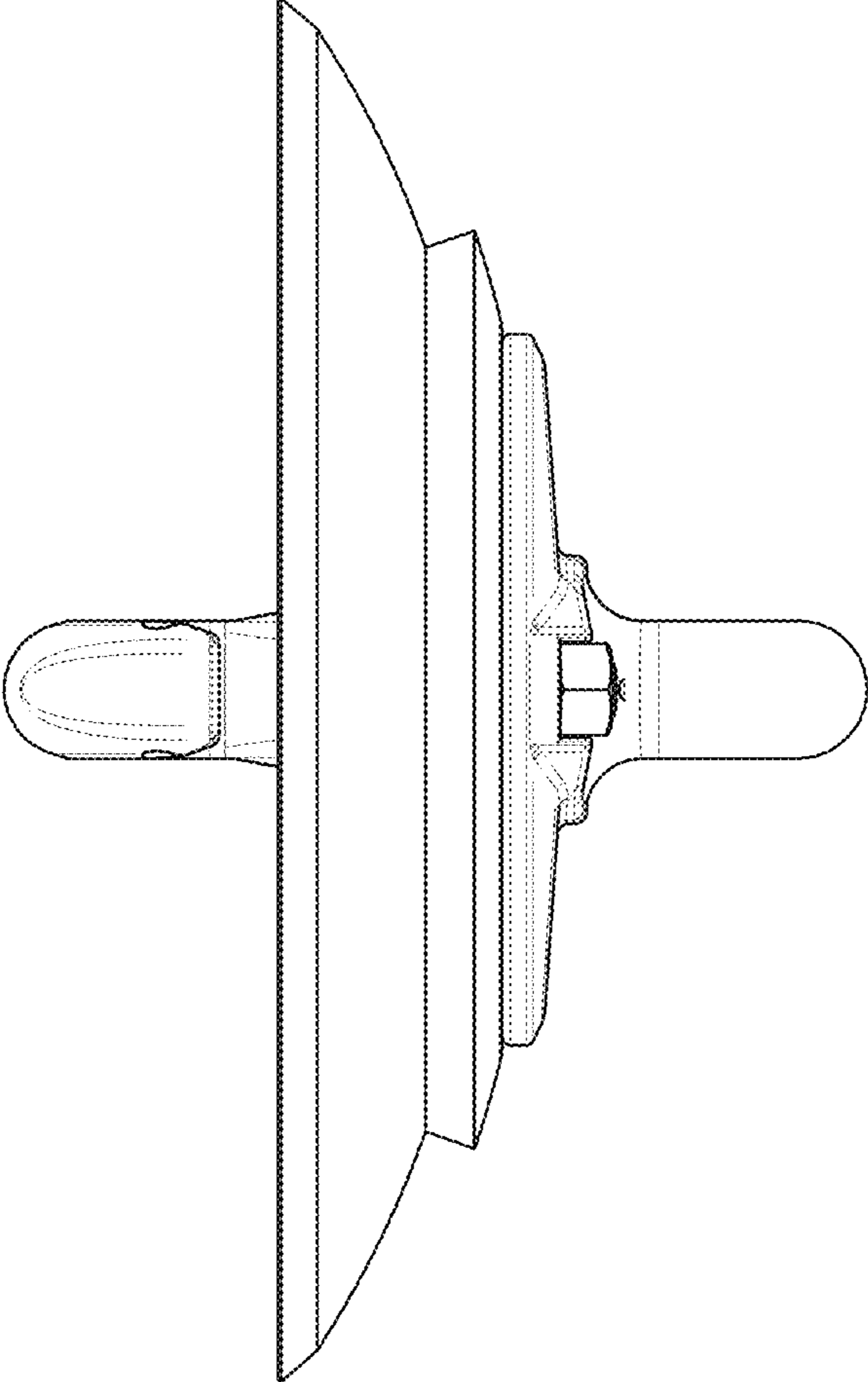


FIG. 8

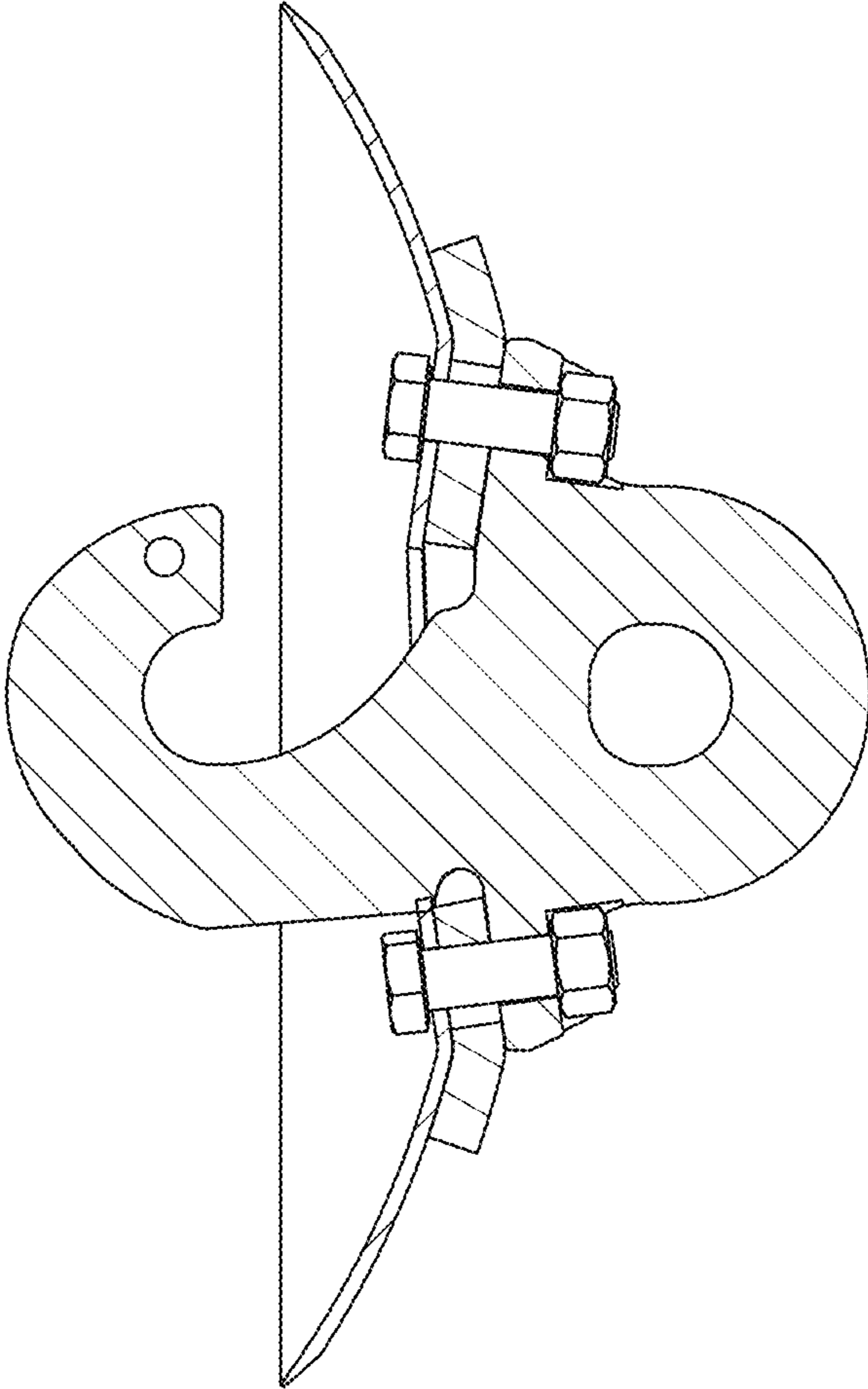


FIG. 9