



US00D821450S

(12) **United States Design Patent**
Hashimoto et al.

(10) **Patent No.:** **US D821,450 S**
(45) **Date of Patent:** **** Jun. 26, 2018**

(54) **BACKHOE**

(56) **References Cited**

(71) Applicant: **KUBOTA CORPORATION**,
Osaka-shi, Osaka (JP)

U.S. PATENT DOCUMENTS

(72) Inventors: **Ryo Hashimoto**, Sakai (JP); **Taiki Furuki**, Sakai (JP); **Katsuhiko Yukawa**, Sakai (JP)

D383,469 S *	9/1997	Ishizaki	D15/24
D538,827 S *	3/2007	Uemura	D15/25
D681,689 S *	5/2013	Saito	D15/24
D684,600 S *	6/2013	Saito	D15/24
D716,844 S *	11/2014	Hayami	D15/24
D716,845 S *	11/2014	Hayami	D15/24
D742,934 S *	11/2015	Kushita	D15/25
D750,672 S *	3/2016	Payne	D15/25
D752,651 S *	3/2016	Hagura	D15/24
D759,127 S *	6/2016	Higuchi	D15/24

(73) Assignee: **KUBOTA CORPORATION**,
Osaka-shi, Osaka (JP)

(**) Term: **15 Years**

* cited by examiner

(21) Appl. No.: **29/539,520**

Primary Examiner — Ian Simmons

Assistant Examiner — Khawaja Anwar

(22) Filed: **Sep. 15, 2015**

(74) *Attorney, Agent, or Firm* — Muncy, Geissler, Olds & Lowe, P.C.

(30) **Foreign Application Priority Data**

Apr. 16, 2015 (JP) 2015-008656

(51) **LOC (11) Cl.** **12-07**

(52) **U.S. Cl.**
USPC **D15/25**

(58) **Field of Classification Search**
USPC D15/10, 11, 12, 23, 25, 28, 30, 32, 33,
D15/199
CPC E02F 9/2004; E02F 9/207; E02F 9/2091;
E02F 9/2246; E02F 9/2292; E02F 3/32;
E02F 3/325; E02F 3/352; E02F 3/384;
E02F 3/425; E02F 3/437; E02F 3/627;
E02F 3/964; E02F 9/006; E02F 9/0808;
E02F 9/0833; E02F 9/0858; E02F 9/0875;
E02F 9/2045

See application file for complete search history.

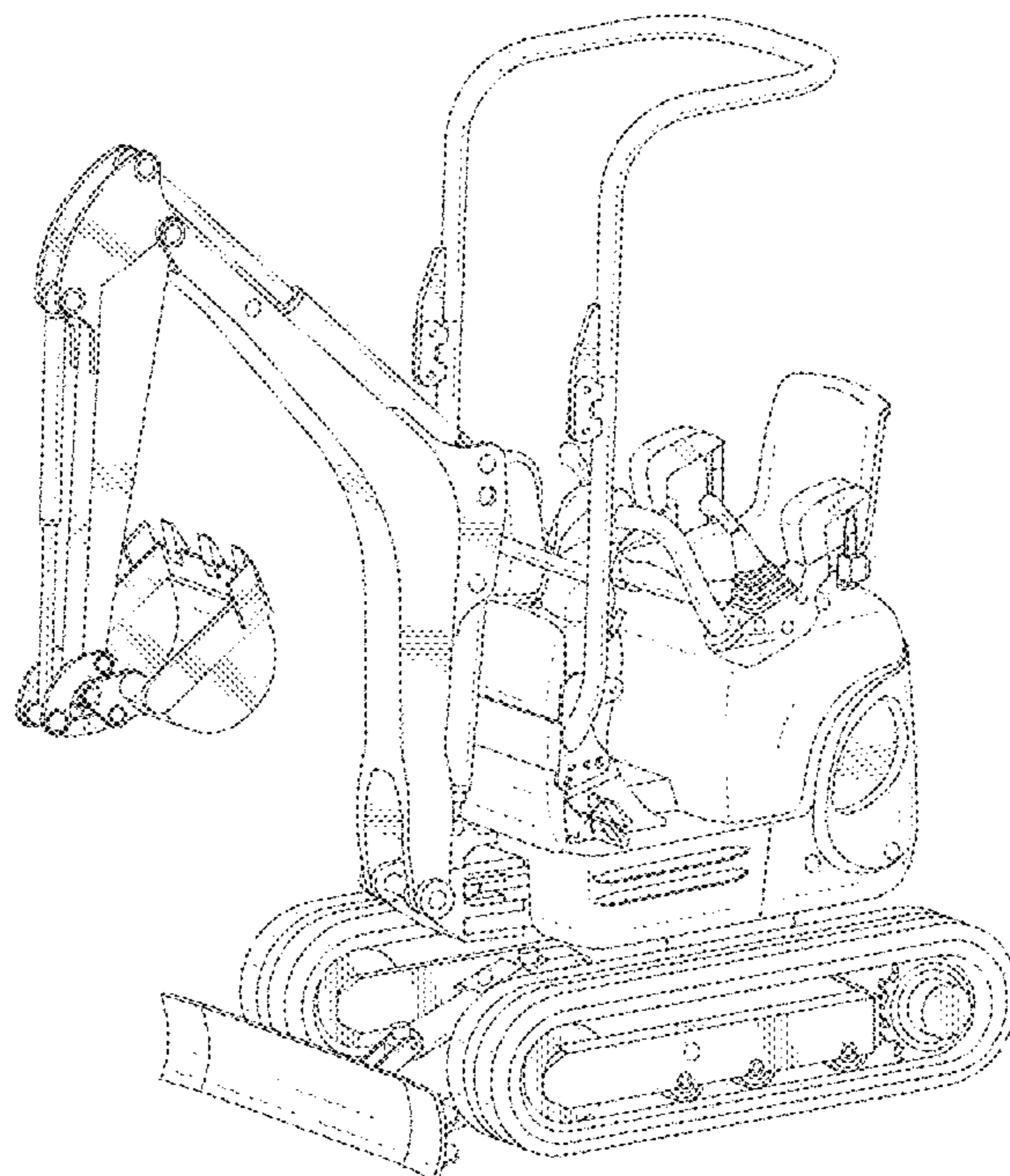
(57) **CLAIM**

The ornamental design for a backhoe, as shown and described.

DESCRIPTION

FIG. 1 is a front view of the backhoe showing our new design;
FIG. 2 is a rear view thereof;
FIG. 3 is a left side view thereof;
FIG. 4 is a right side view thereof;
FIG. 5 is a top view thereof; and,
FIG. 6 is a perspective view thereof.
Broken lines shown in the drawings represent unclaimed environment only and form no part of the claimed design.
The bottom view is not shown.

1 Claim, 6 Drawing Sheets



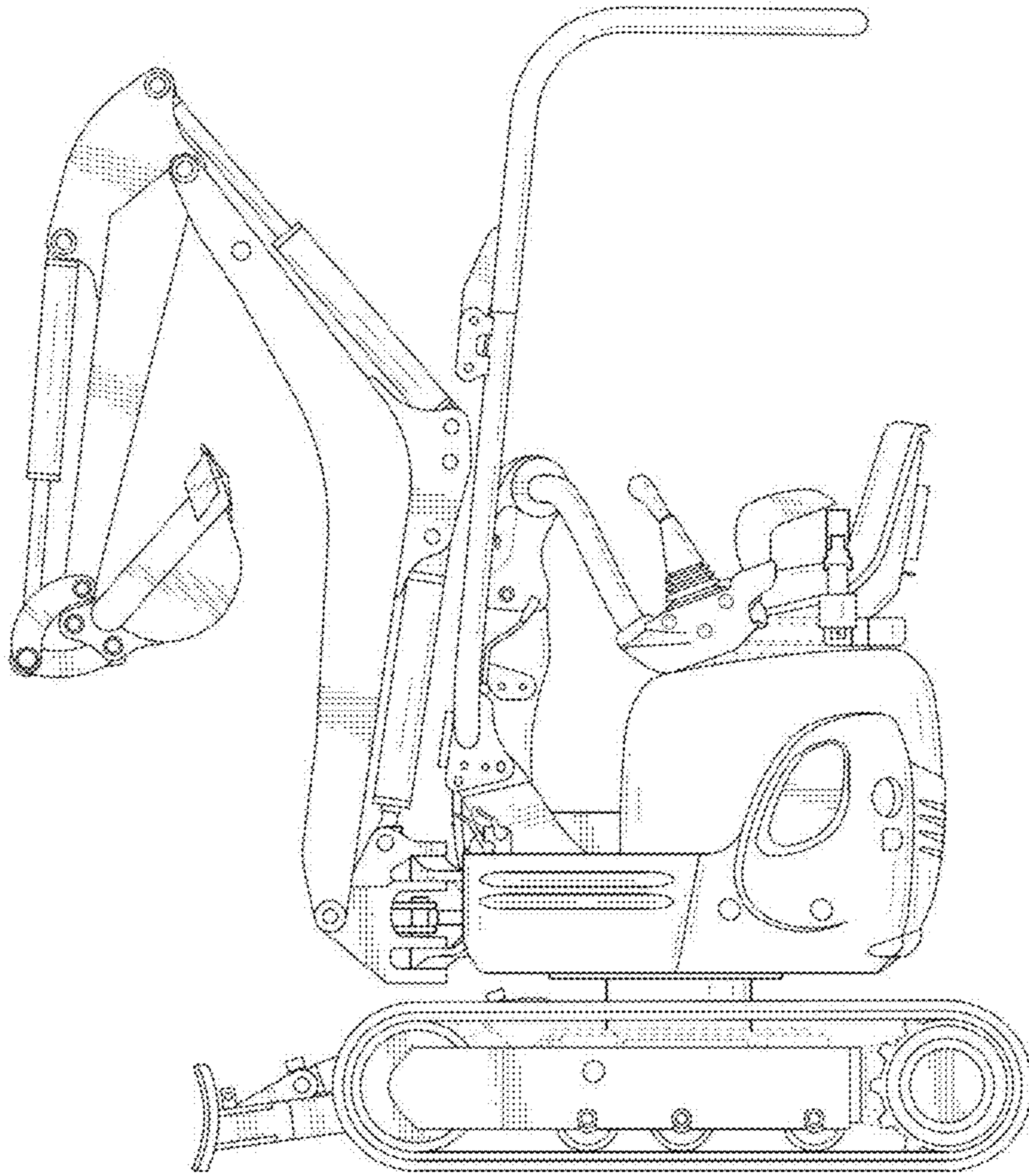


FIG.1

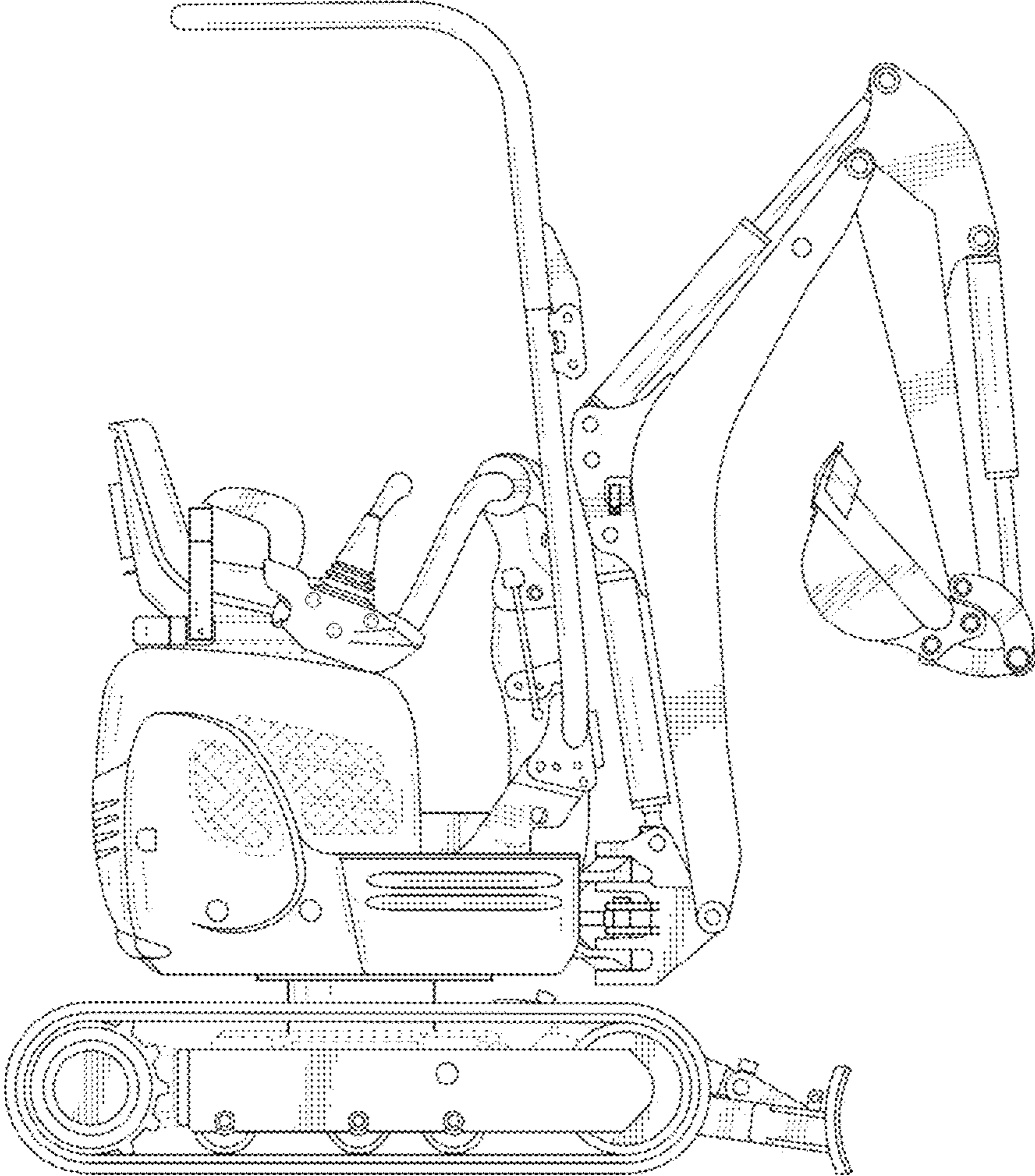


FIG.2

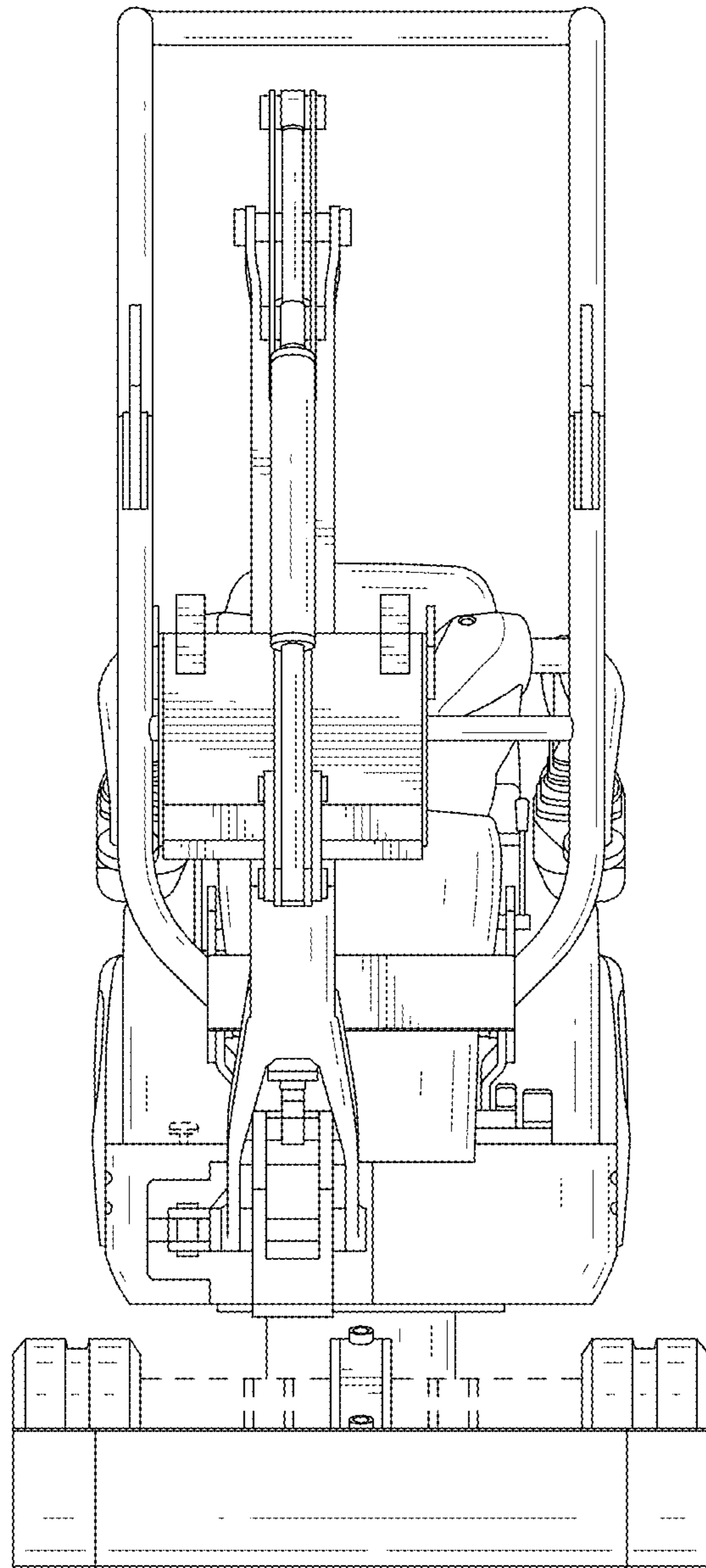


FIG.3

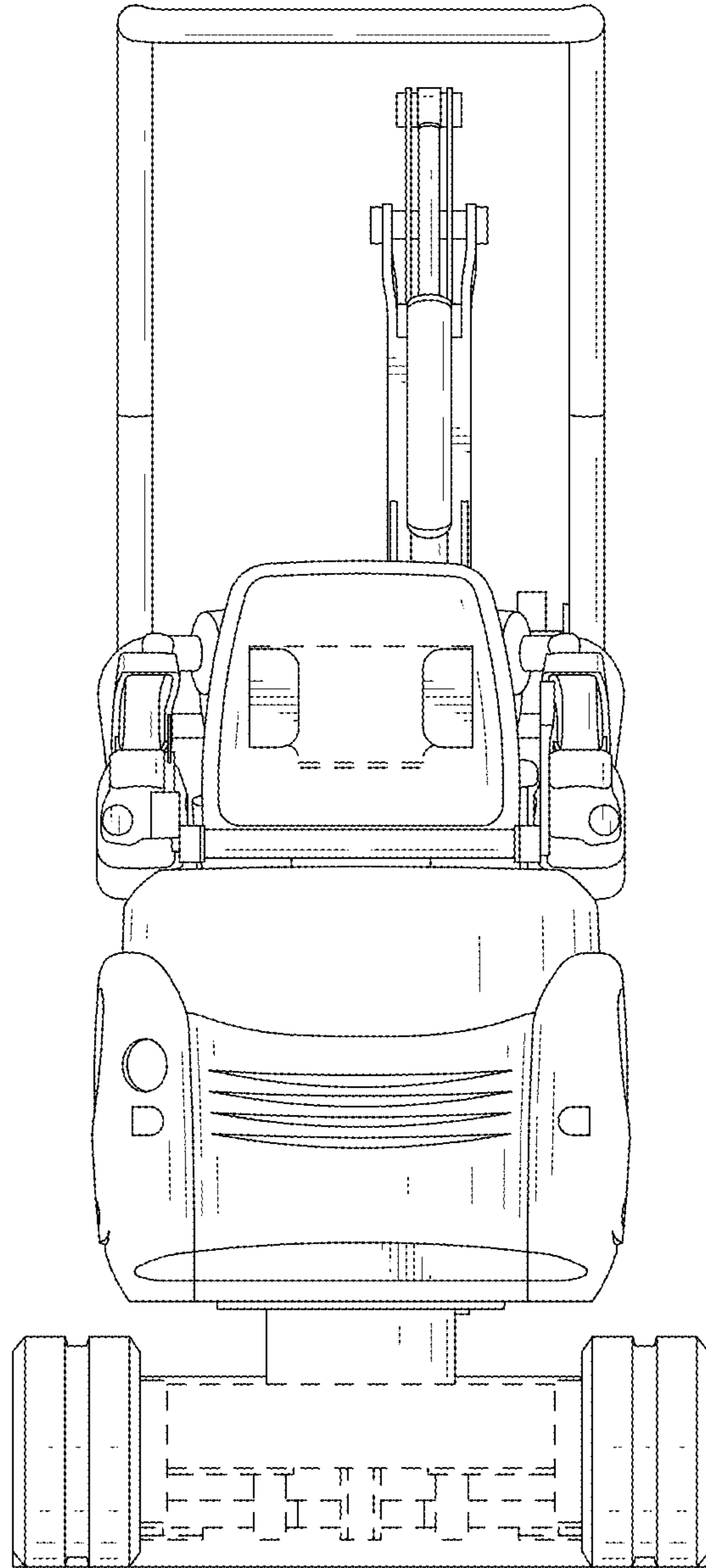


FIG.4

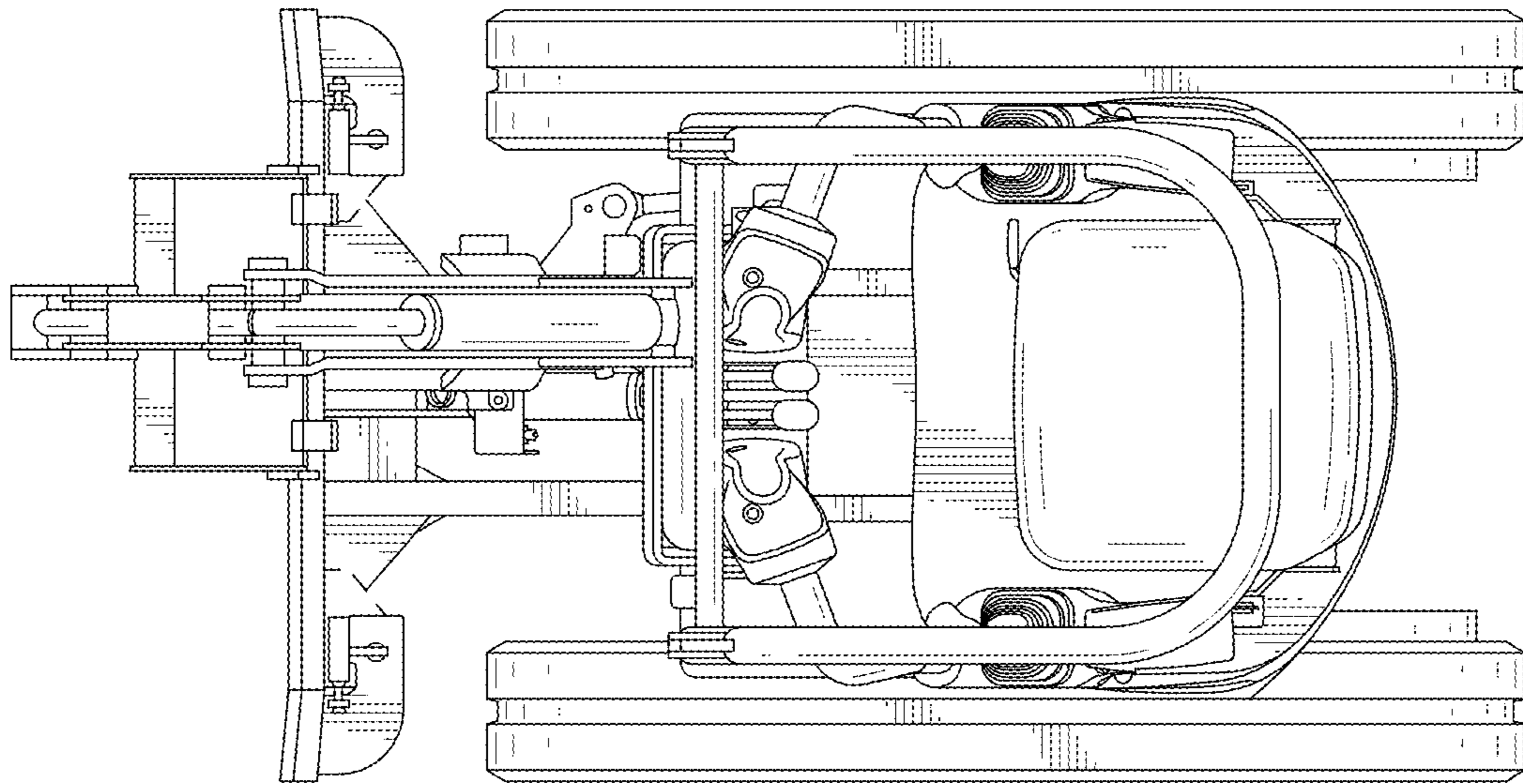


FIG.5

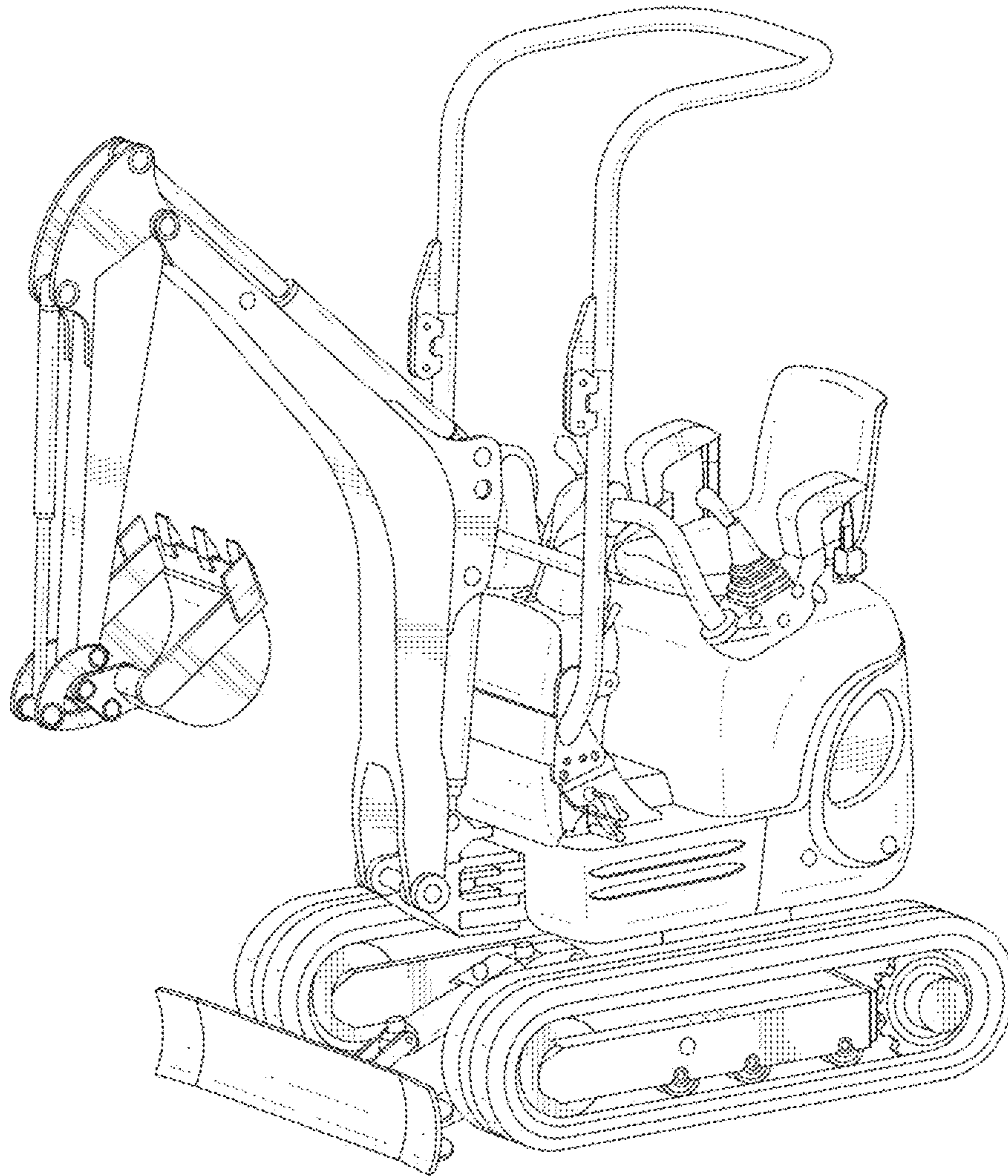


FIG.6