



US00D821449S

(12) **United States Design Patent** (10) **Patent No.:** **US D821,449 S**
Atterbury et al. (45) **Date of Patent:** **** Jun. 26, 2018**

- (54) **SIDE POD FOR TURF VEHICLE**
- (71) Applicant: **EXMARK MANUFACTURING COMPANY, INCORPORATED**,
Beatrice, NE (US)
- (72) Inventors: **C. Mark Atterbury**, Lincoln, NE (US);
Philip C. Dretzka, Woodbury, MN
(US); **David M. Converse**, Lincoln, NE
(US)
- (73) Assignee: **Exmark Manufacturing Company,
Incorporated**, Beatrice, NE (US)
- (**) Term: **15 Years**
- (21) Appl. No.: **29/613,577**
- (22) Filed: **Aug. 11, 2017**

Related U.S. Application Data

- (62) Division of application No. 29/565,911, filed on May 25, 2016, now Pat. No. Des. 799,556.
- (51) **LOC (11) Cl.** **15-03**
- (52) **U.S. Cl.**
USPC **D15/17; D15/15**
- (58) **Field of Classification Search**
USPC D15/14-18, 23, 28, 31; 56/13.3, 13.4,
56/16.1, 17.4, 15.8, 15.9, 16.7, 202, 255,
(Continued)

References Cited

U.S. PATENT DOCUMENTS

- D338,896 S 8/1993 Flenniken et al.
- D344,959 S 3/1994 Patterson et al.
- (Continued)

OTHER PUBLICATIONS

- U.S. Appl. No. 29/565,911, filed May 25, 2016, Atterbury et al.
(Continued)

Primary Examiner — Mark Goodwin
(74) *Attorney, Agent, or Firm* — Muetting, Raasch & Gebhardt, P.A.

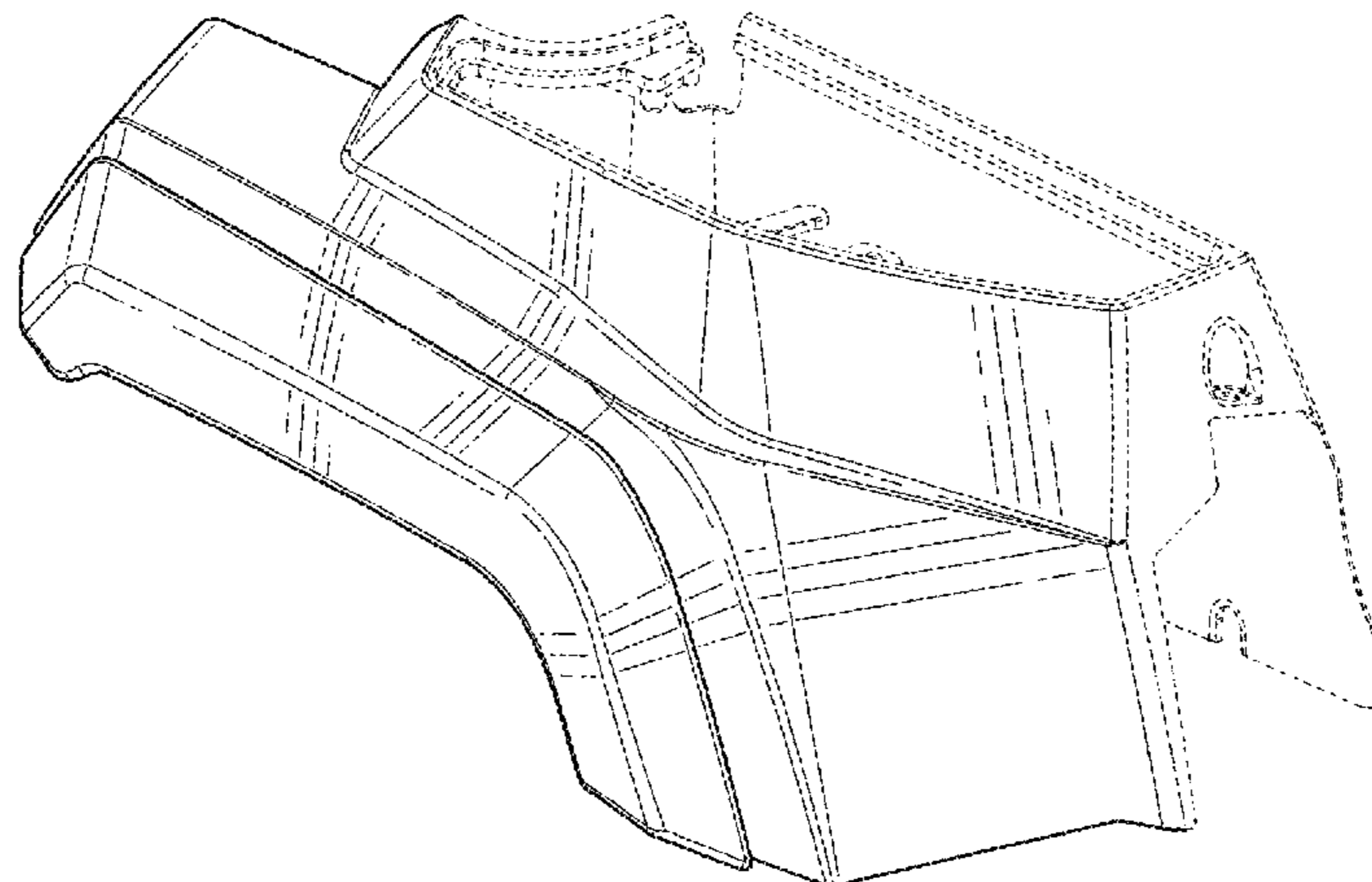
(57) **CLAIM**

The ornamental design for a side pod for turf vehicle, as shown and described.

DESCRIPTION

FIG. 1 is a right rear perspective view of a side pod for turf vehicle in accordance with an embodiment of the claimed design and shown attached to a riding lawn mower; FIG. 2 is a right front perspective view of the design of FIG. 1; FIG. 3 is a right side elevation view of the design of FIG. 1; FIG. 4 is a rear elevation view of the design of FIG. 1; FIG. 5 is a front elevation view of the design of FIG. 1; and, FIG. 6 is a top plan view of the design of FIG. 1. The left side elevation view and the bottom plan view are not shown and form no part of the claimed design. The dot-dash broken lines in the figures immediately adjacent the solid lines represent a boundary between claimed and unclaimed subject matter and form no part of the claimed design. The dash-dash broken lines in the figures (including the riding lawn mower in FIG. 1, the portions adjacent the dot-dash broken lines, and other aspects) represent environment in which the claimed design may be embodied, and which form no part of the claimed design. The labels used herein to describe orientation (e.g., front, rear, left, right) are merely for reference and are not intended to limit the interpretation of the design. Applicant reserves the right to convert: a portion or portions of any of the broken lines to solid lines such that the features described by those lines then form a part of the claimed design; and/or a portion or portions of any of the solid lines to broken lines such that the features described by those lines no longer form part of the claimed design.

1 Claim, 6 Drawing Sheets



(58) **Field of Classification Search**

USPC ... 56/294, 320.1, 320.2; 180/900, 273, 68.6,
180/69.21

CPC A01D 34/63; A01D 34/64; A01D 43/0635;
A01D 2101/00

See application file for complete search history.

(56)

References Cited

U.S. PATENT DOCUMENTS

D398,311 S	9/1998	Smith
D512,444 S	12/2005	Ayers et al.
D560,690 S	1/2008	Higashikawa
D582,825 S	12/2008	Logan
D593,134 S	5/2009	Kuwae et al.
D626,572 S	11/2010	Moriguchi et al.
D656,964 S	4/2012	Naslund
D656,965 S	4/2012	Örtlund et al.
D674,409 S	1/2013	Higashikawa
D674,816 S	1/2013	Higashikawa et al.
D681,064 S	4/2013	Higashikawa
D681,685 S	5/2013	Higashikawa
D681,686 S	5/2013	Higashikawa
D681,687 S	5/2013	Higashikawa
D681,688 S	5/2013	Higashikawa
D682,892 S	5/2013	Takagi et al.
D683,369 S	5/2013	Takagi et al.
D683,370 S	5/2013	Takagi et al.
D694,686 S	12/2013	Deluy et al.
D697,534 S	1/2014	Uchida et al.
D699,651 S	2/2014	Peltola et al.
D705,822 S	5/2014	Higashikawa et al.
D707,721 S	6/2014	Hippoliti
D715,329 S	10/2014	Higashikawa et al.
D719,980 S	12/2014	Foster
D722,620 S	2/2015	Phillips et al.
D742,931 S	11/2015	Burns, Jr. et al.
D748,676 S	2/2016	Higashikawa
2016/0355186 A1	12/2016	Kanitz et al.

OTHER PUBLICATIONS

Ferris Riding Mower, Briggs & Stratton Corporation, Wauwatosa, WI, USA. Believed available at least as early as May 16, 2016; 1 page.

Hustler Riding Mower, Hustler Turf Equipment, Hesston, KS, USA. Believed available at least as early as May 16, 2016; 1 page.

Snapper Pro Riding Mower, Briggs & Stratton Corporation, Wauwatosa, WI, USA. Believed available at least as early as May 16, 2016; 1 page.

Bob-cat Riding Mower, Schiller Grounds Care, Inc., Johnson Creek, WI, USA. Believed available at least as early as May 16, 2016; 1 page.

Kubota Riding Mower, Kubota Tractor Corporation, Torrance, CA, USA. Believed available at least as early as May 16, 2016; 1 page.

Exmark Riding Mower 1, Exmark Manufacturing Co., Inc., Beatrice, NE, USA. Available at least as early as 2010; 1 page.

Exmark Riding Mower 2, Exmark Manufacturing Co., Inc., Beatrice, NE, USA. Available at least as early as 2010; 1 page.

Gravely Pro-Turn 400 Riding Mower, Ariens Company, Brillion, WI, USA. Believed available at least as early as May 24, 2016; 1 page.

Toro Titan HD Riding Mower, The Toro Company, Minneapolis, MN, USA. Aug. 2016; 1 page.

Dixie Chopper Magnum Riding Mower, Textron, Inc., Providence, RI, USA. Believed available at least as early as May 24, 2016; 1 page.

John Deere Z915B Riding Mower, Deere & Company, Moline, IL, USA. Believed available at least as early as May 24, 2016; 1 page.

Gravely Pro-Turn Riding Mower, Ariens Company, Brillion, WI, USA. Date Unknown; 1 page.

John Deere Z915E Riding Mower, Deere & Company, Moline, IL, USA. Date Unknown; 1 page.

Toro Timecutter Riding Mower, The Toro Company, Minneapolis, MN, USA. Available at least as early as Feb. 2015; 1 page.

Exmark Pioneer Riding Mower, Exmark Manufacturing Co., Inc., Beatrice, NE, USA. Available at least as early as 2012; 1 page.

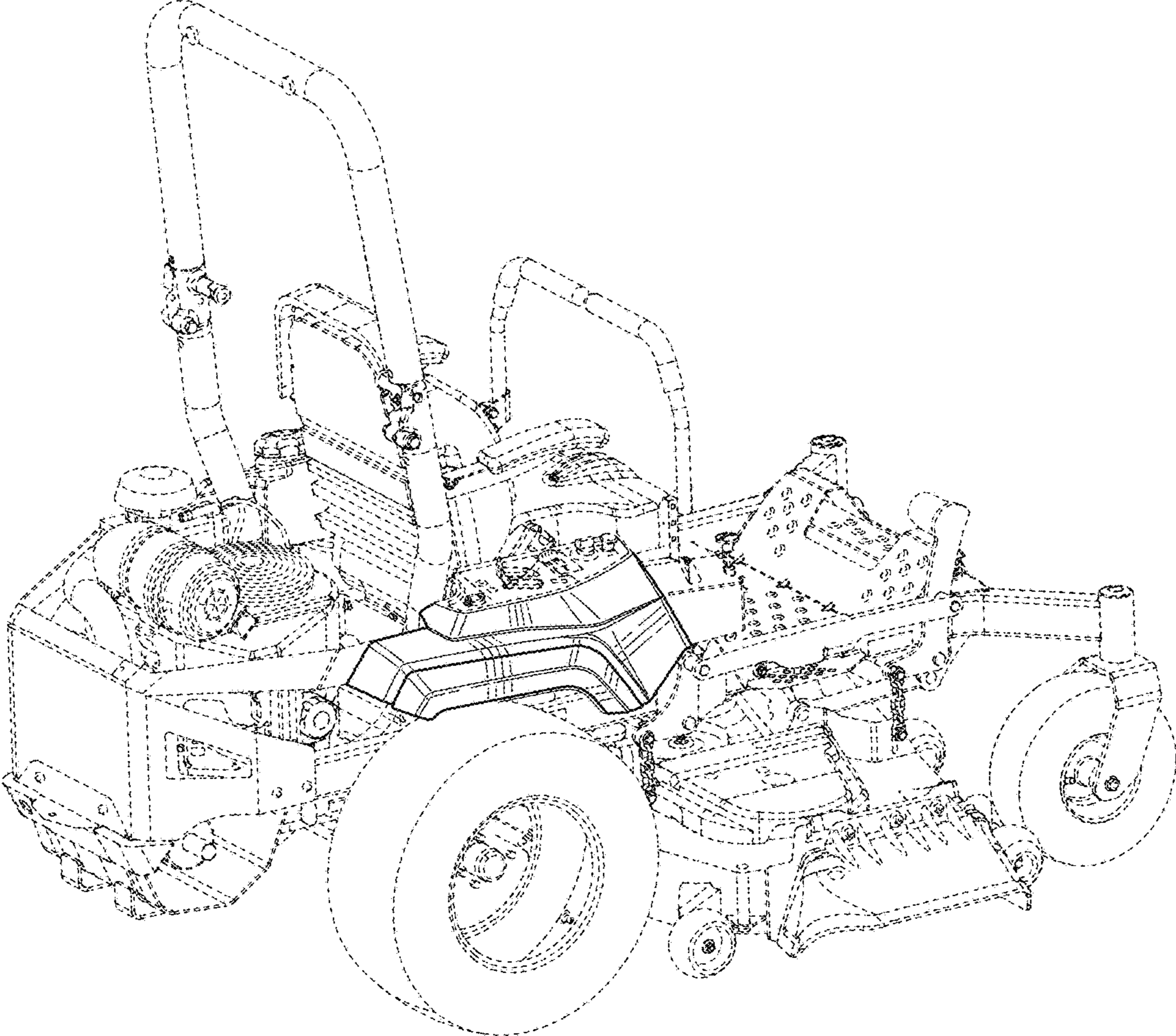


FIG. 1

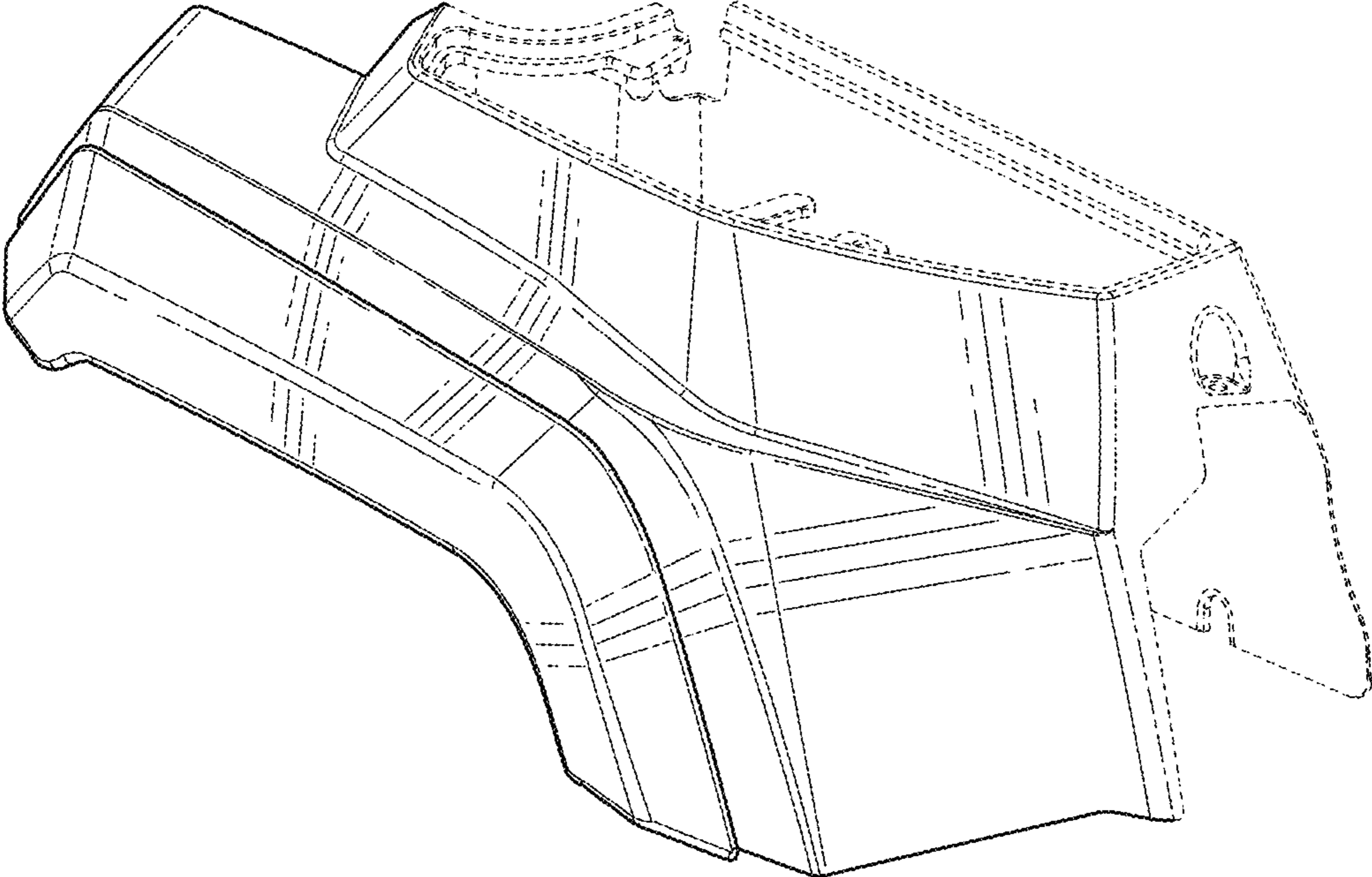


FIG. 2

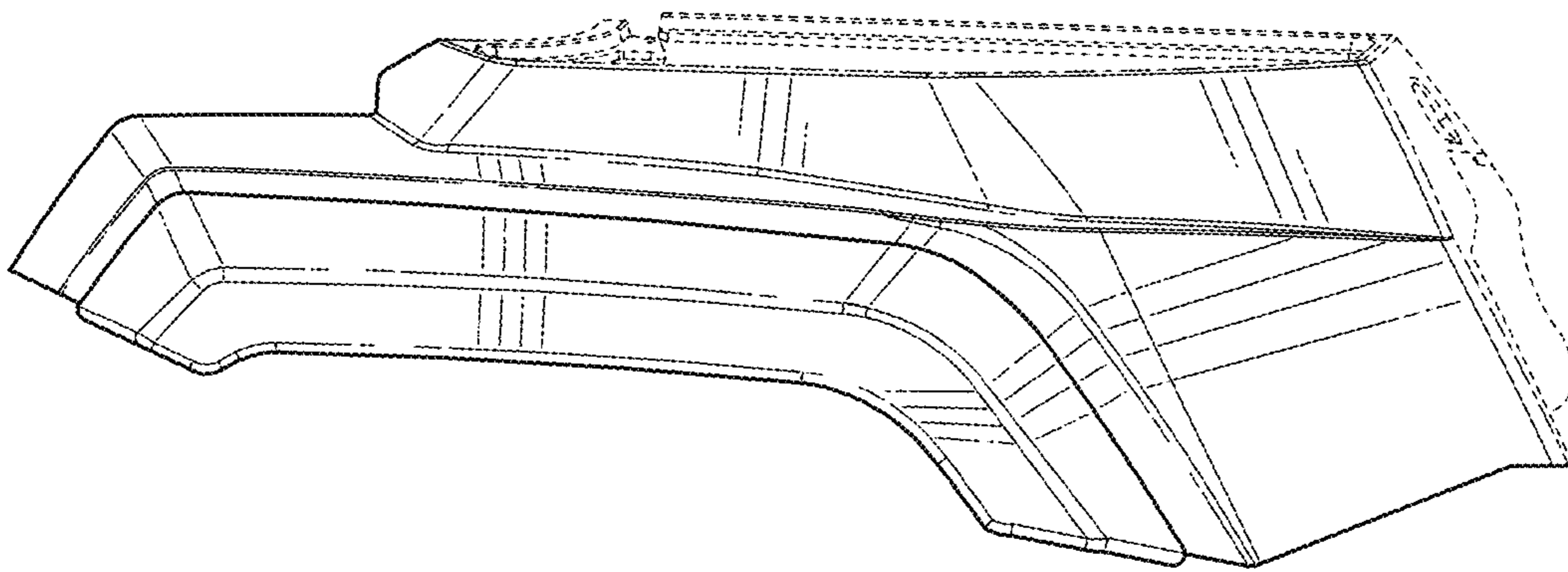


FIG. 3

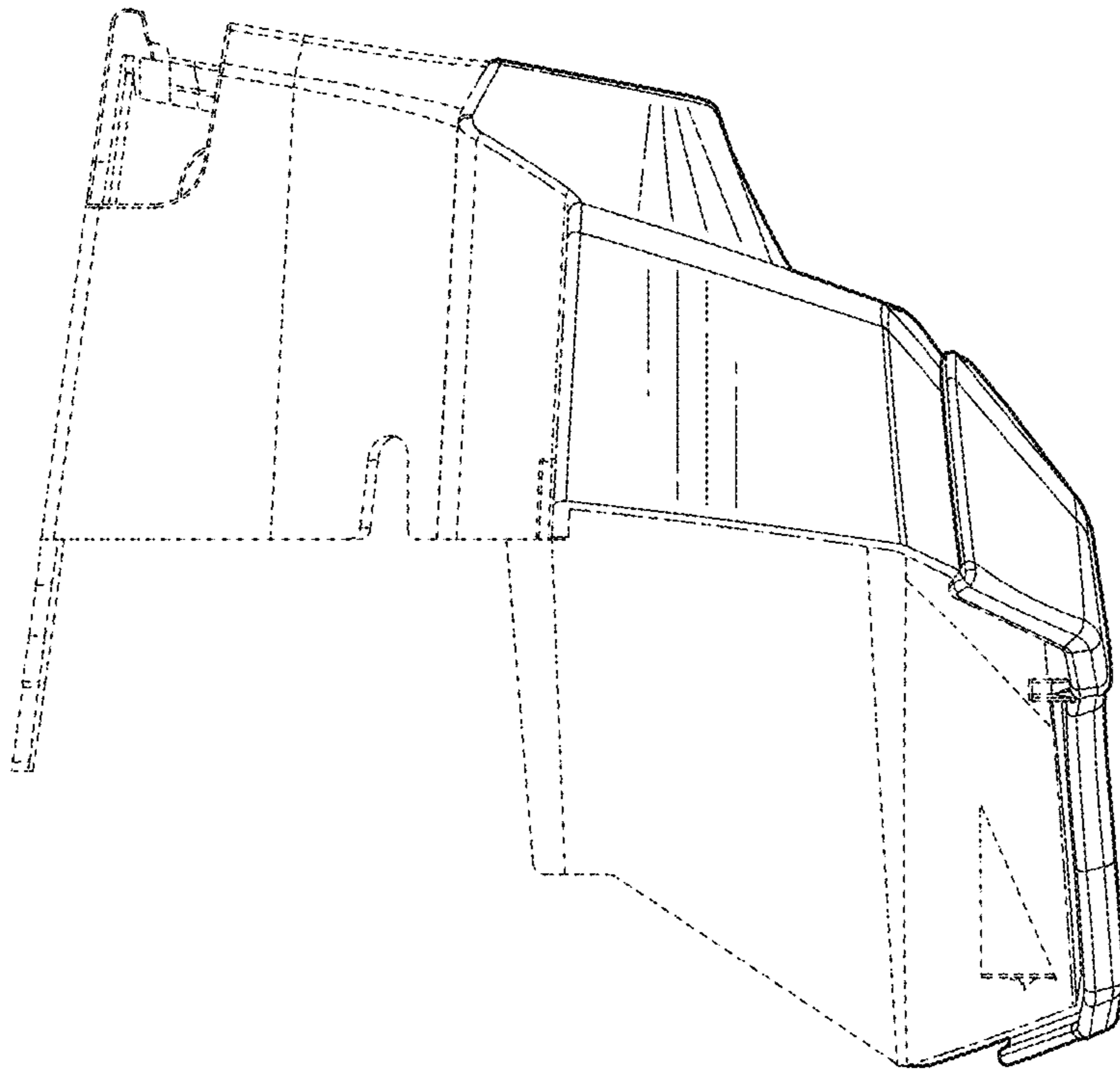


FIG. 4

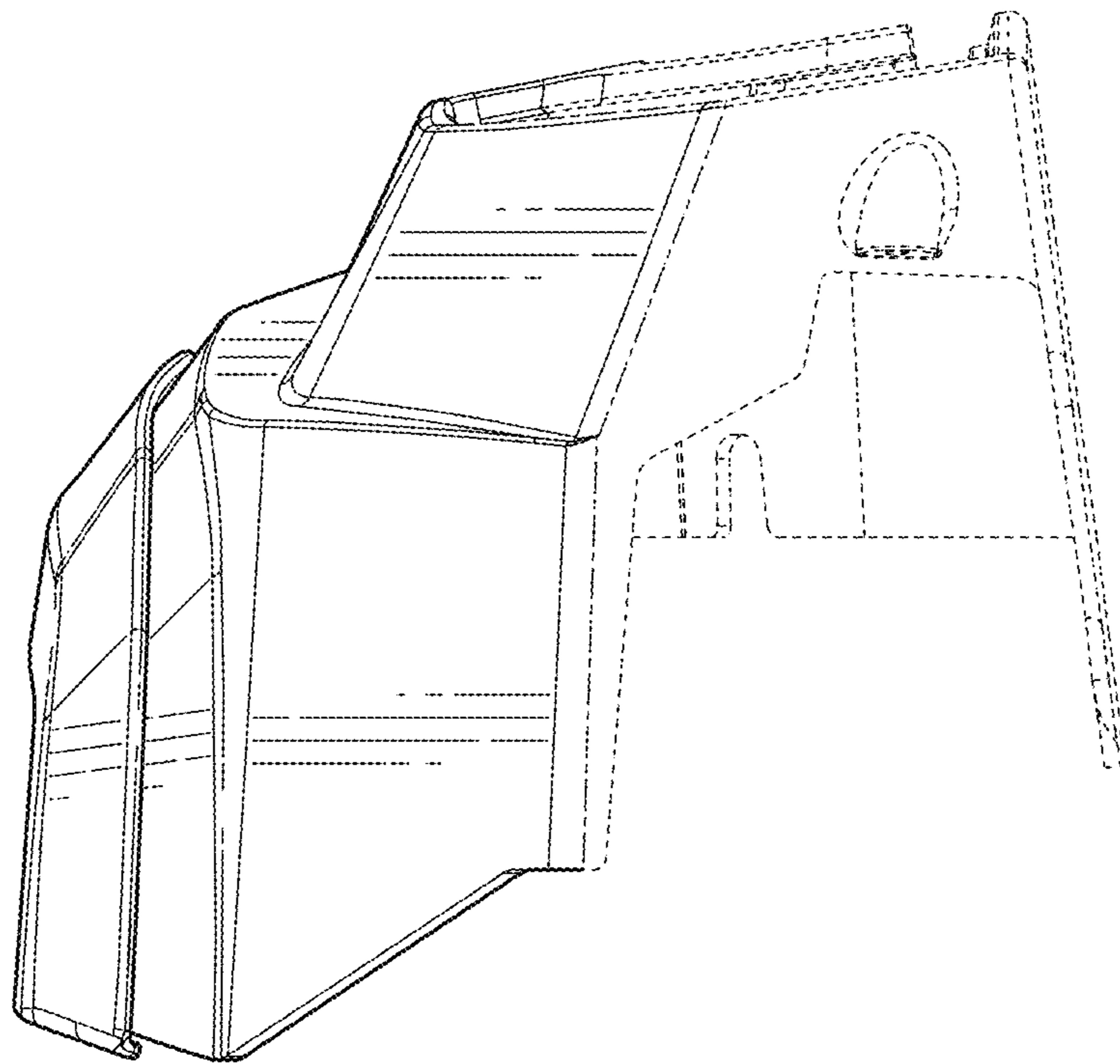


FIG. 5

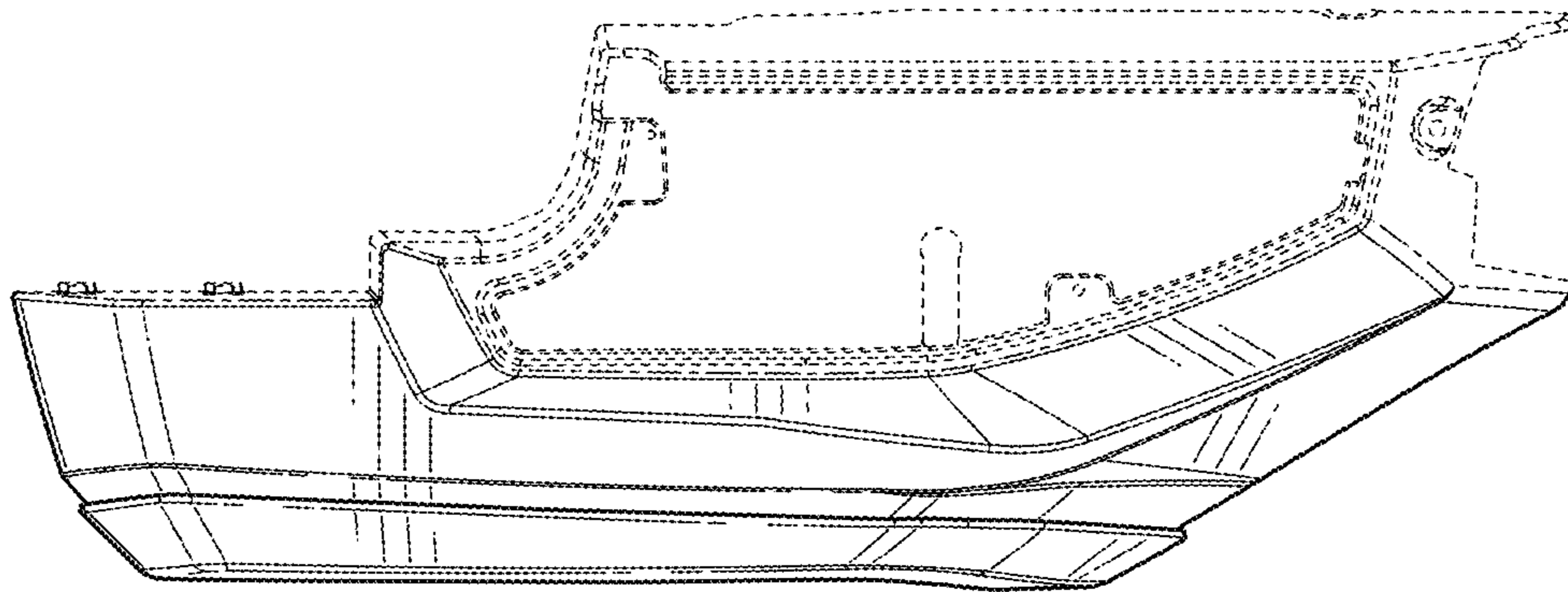


FIG. 6