



US00D821448S

(12) **United States Design Patent** (10) **Patent No.:** **US D821,448 S**
Fernandes et al. (45) **Date of Patent:** **** Jun. 26, 2018**

(54) **FUEL PUMP**

(71) Applicants: **Mario Fernandes**, Mulhouse (FR);
Julie Louveau, Lutterbach (FR);
Adriano Audia, Burnhaupt le bas (FR);
Simon Oury, Saint Louis (FR)

(72) Inventors: **Mario Fernandes**, Mulhouse (FR);
Julie Louveau, Lutterbach (FR);
Adriano Audia, Burnhaupt le bas (FR);
Simon Oury, Saint Louis (FR)

(73) Assignee: **CRYOSTAR SAS**, Hesingue (FR)

(**) Term: **15 Years**

(21) Appl. No.: **29/548,211**

(22) Filed: **Dec. 11, 2015**

(30) **Foreign Application Priority Data**

Jun. 12, 2015 (EP) 002717850-0002

(51) **LOC (11) Cl.** **15-02**

(52) **U.S. Cl.**
USPC **D15/9.1**

(58) **Field of Classification Search**
USPC D15/7-9.3; D23/231, 232, 225; 417/60,
417/235, 265, 321, 355, 358, 363, 359,
417/410.1, 415-416, 405, 900; 60/408,
60/412; 184/26-37; 415/140-147;
123/495, 509; 222/25, 26, 74
CPC ... B67D 5/22; B67D 5/12; B67D 5/08; B67D
7/04; B67D 7/06; D67D 5/06; D67D
7/84; G06F 7/08

See application file for complete search history.

(56) **References Cited**

U.S. PATENT DOCUMENTS

D181,659 S *	12/1957	Koopman	D15/9.1
D184,256 S *	1/1959	Hunt	D15/9.1
D234,873 S *	4/1975	Wheeler	D15/9.2
D237,101 S *	10/1975	Loy et al.	D15/9.1
D271,696 S *	12/1983	Todd	D15/9.2
D282,930 S *	3/1986	Gilmore	D15/9.1
D335,673 S *	5/1993	Wulc	D15/9.1
D404,401 S *	1/1999	Osborne	D15/9.1
D409,207 S *	5/1999	Alvern	D15/151
7,975,878 B2 *	7/2011	Wemmert	B67D 7/04 222/330
9,377,143 B2 *	6/2016	Larsson	B67D 7/0478

* cited by examiner

Primary Examiner — Ralf Seifert

(74) *Attorney, Agent, or Firm* — Joshua L. Cohen

(57) **CLAIM**

The ornamental design for a fuel pump, as shown.

DESCRIPTION

FIG. 1 is a front perspective view of a fuel pump showing our new design;
FIG. 2 is a front elevational view thereof;
FIG. 3 is a rear elevational view thereof;
FIG. 4 is a left side elevational view thereof;
FIG. 5 is a right side elevational view thereof;
FIG. 6 is a top plan view thereof; and,
FIG. 7 is a bottom plan view thereof.

1 Claim, 7 Drawing Sheets

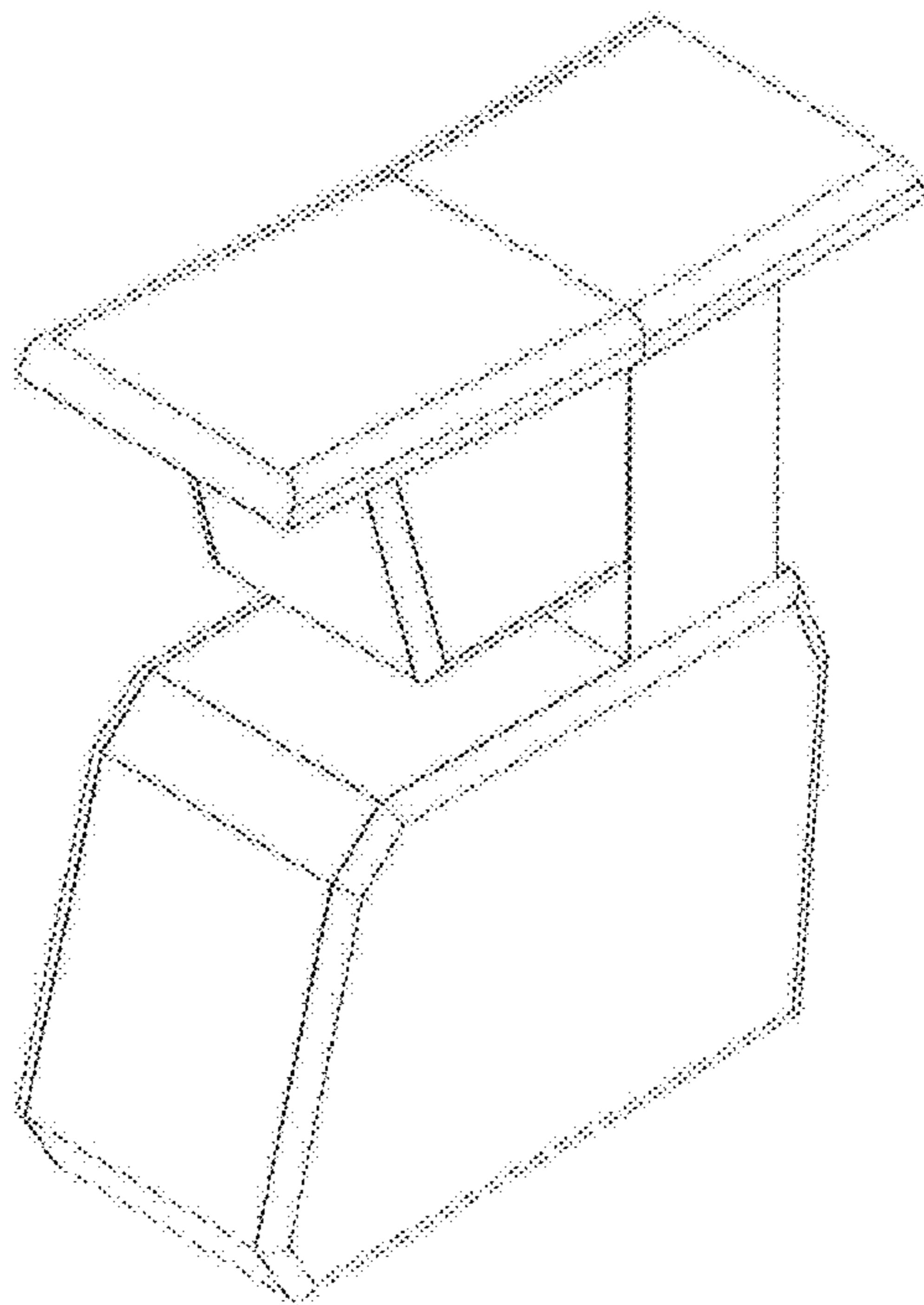


FIG. 1

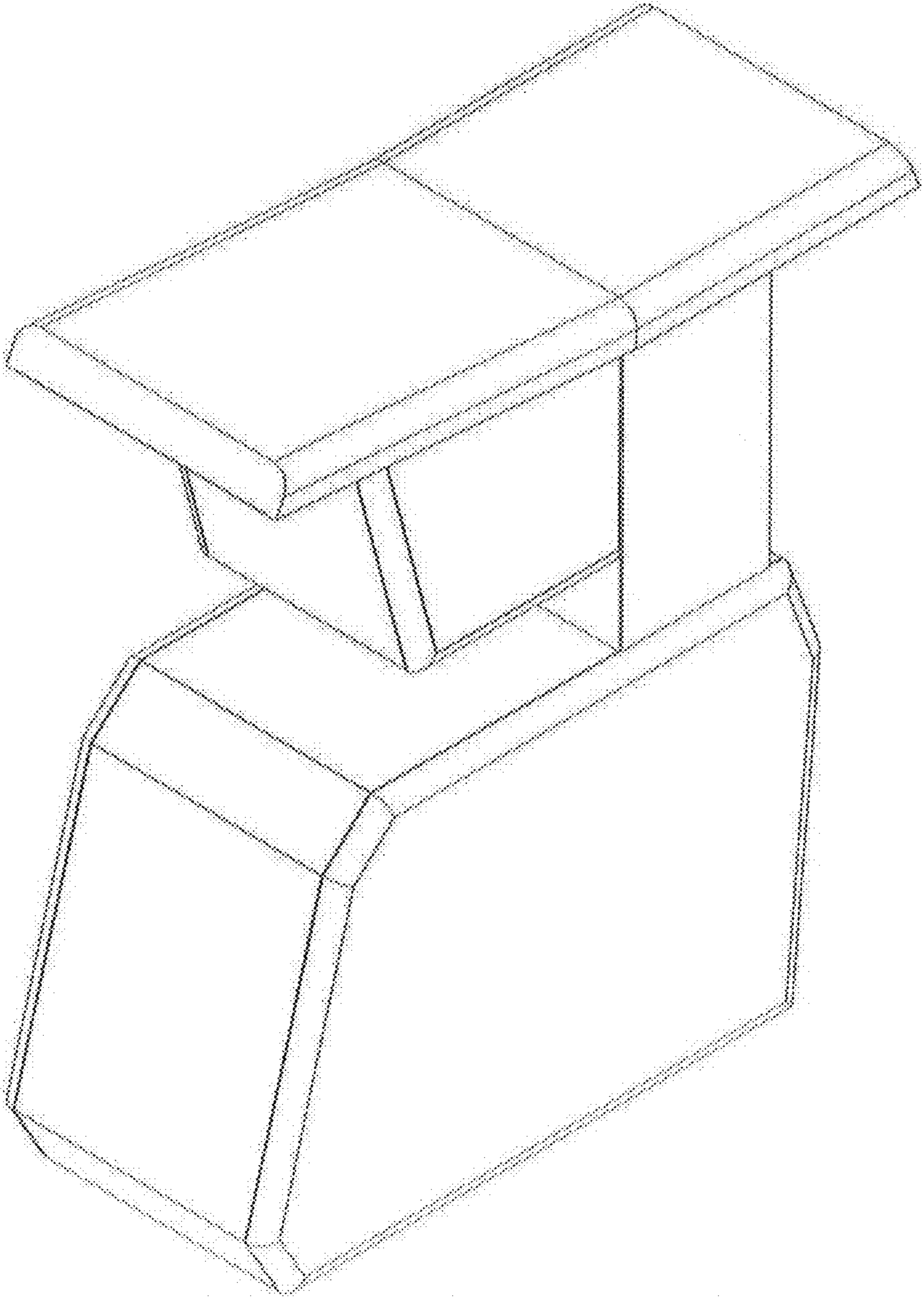


FIG. 2

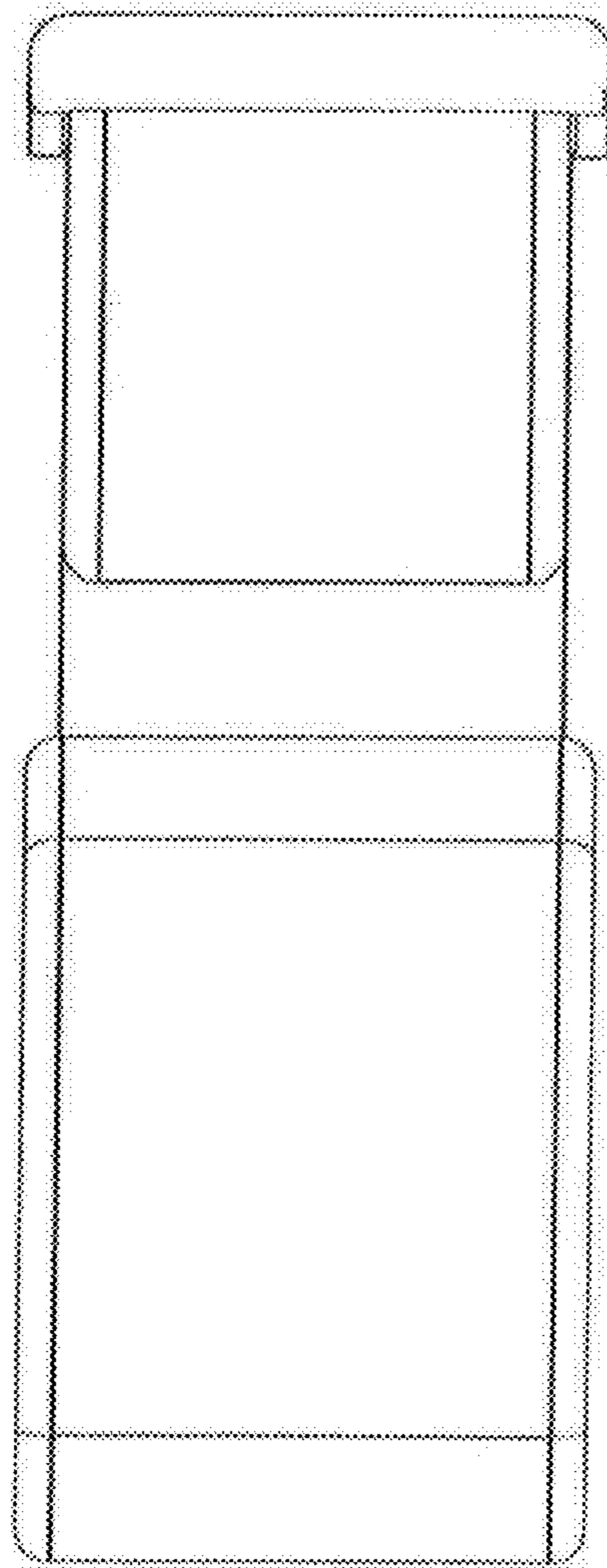


FIG. 3

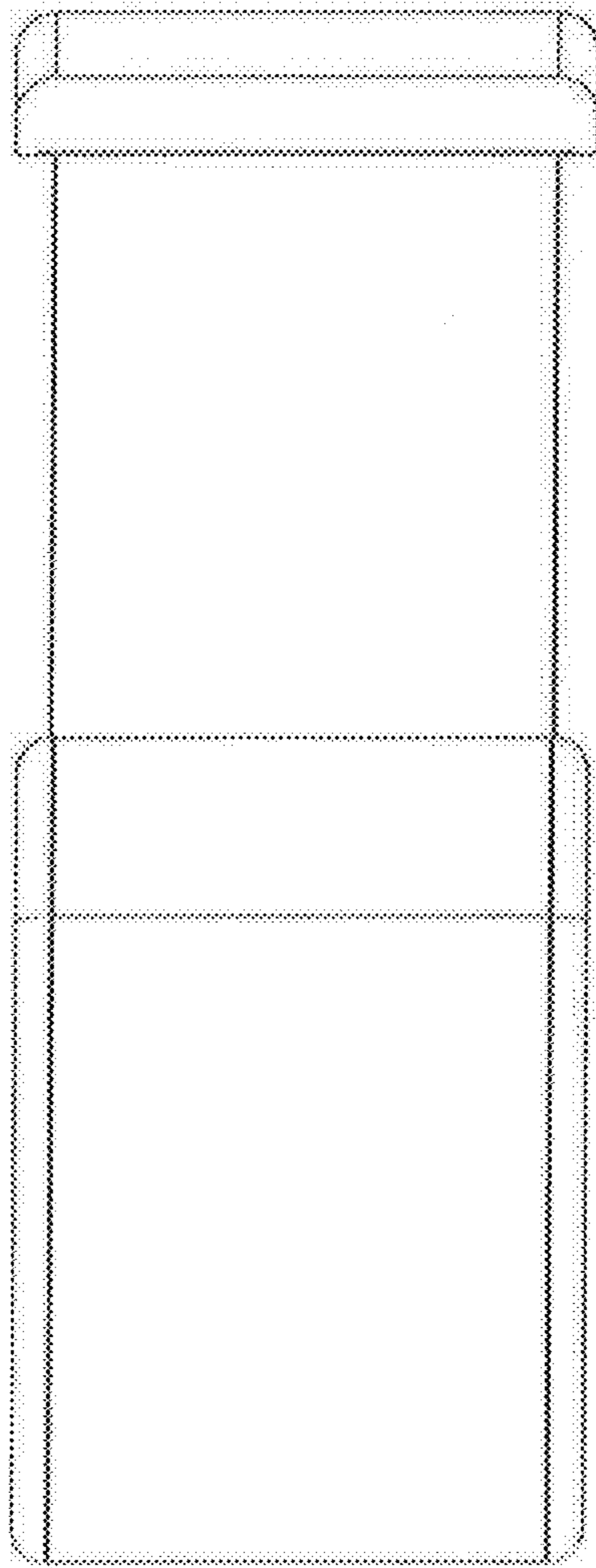


FIG. 4

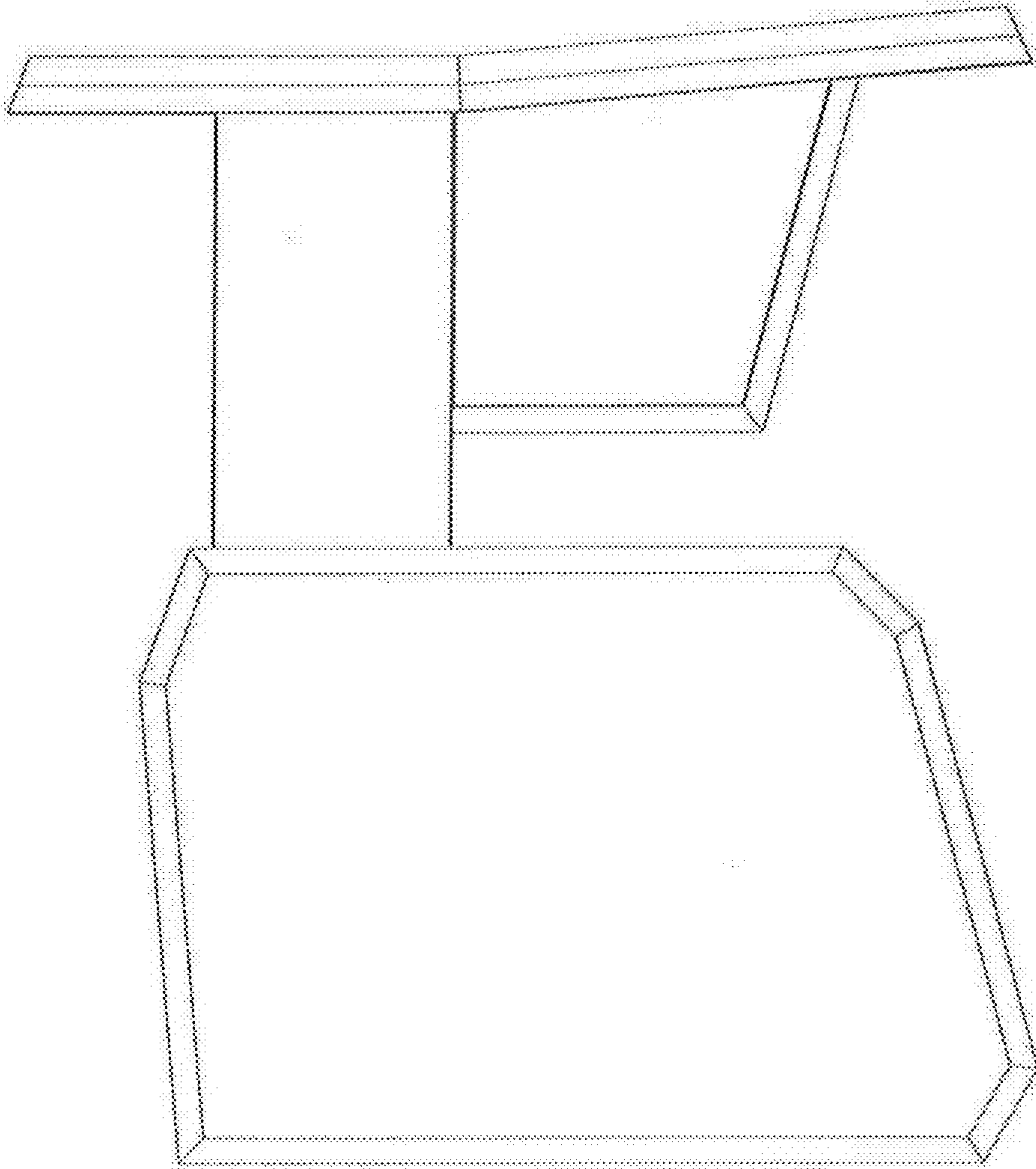


FIG. 5

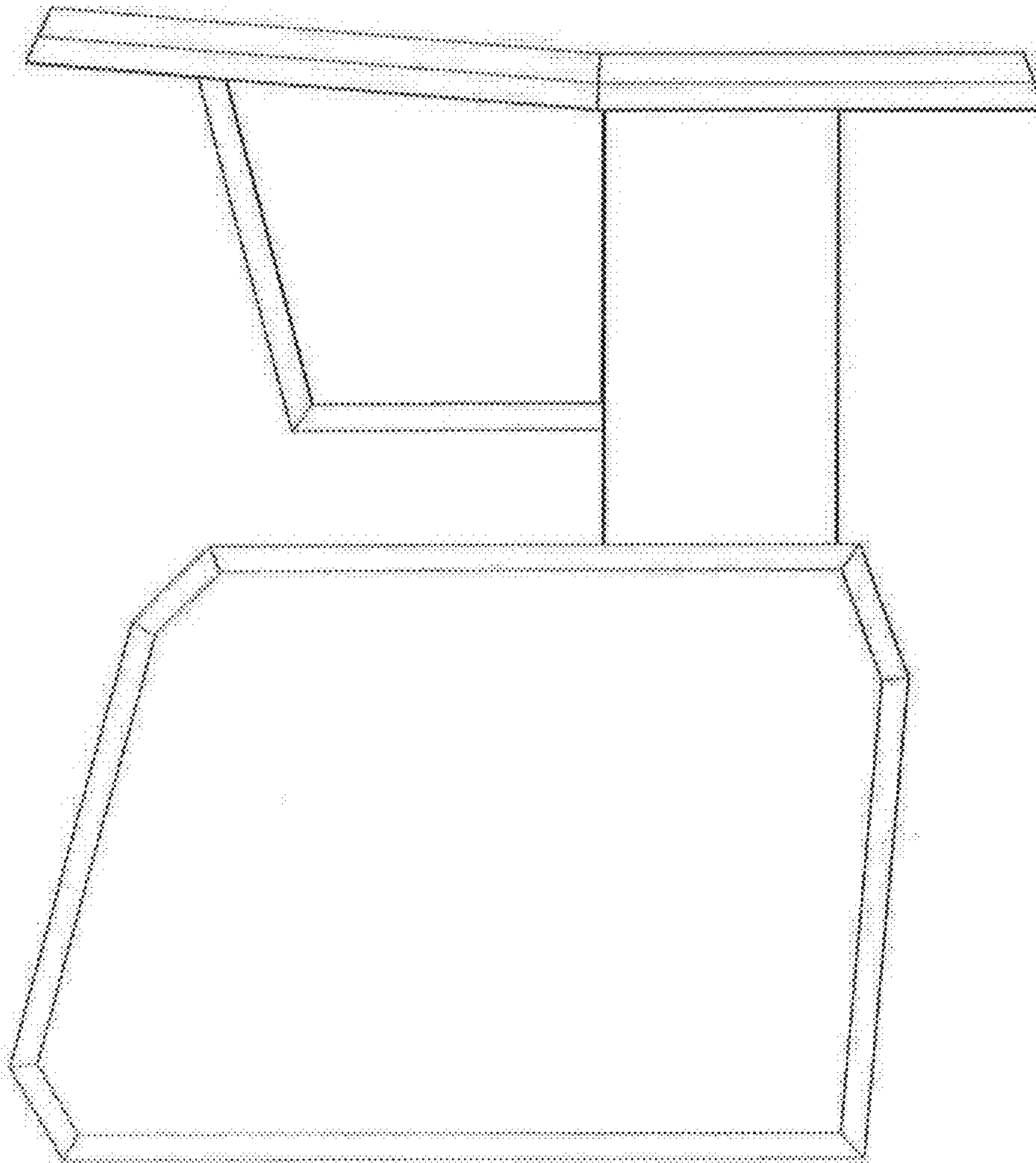


FIG. 6

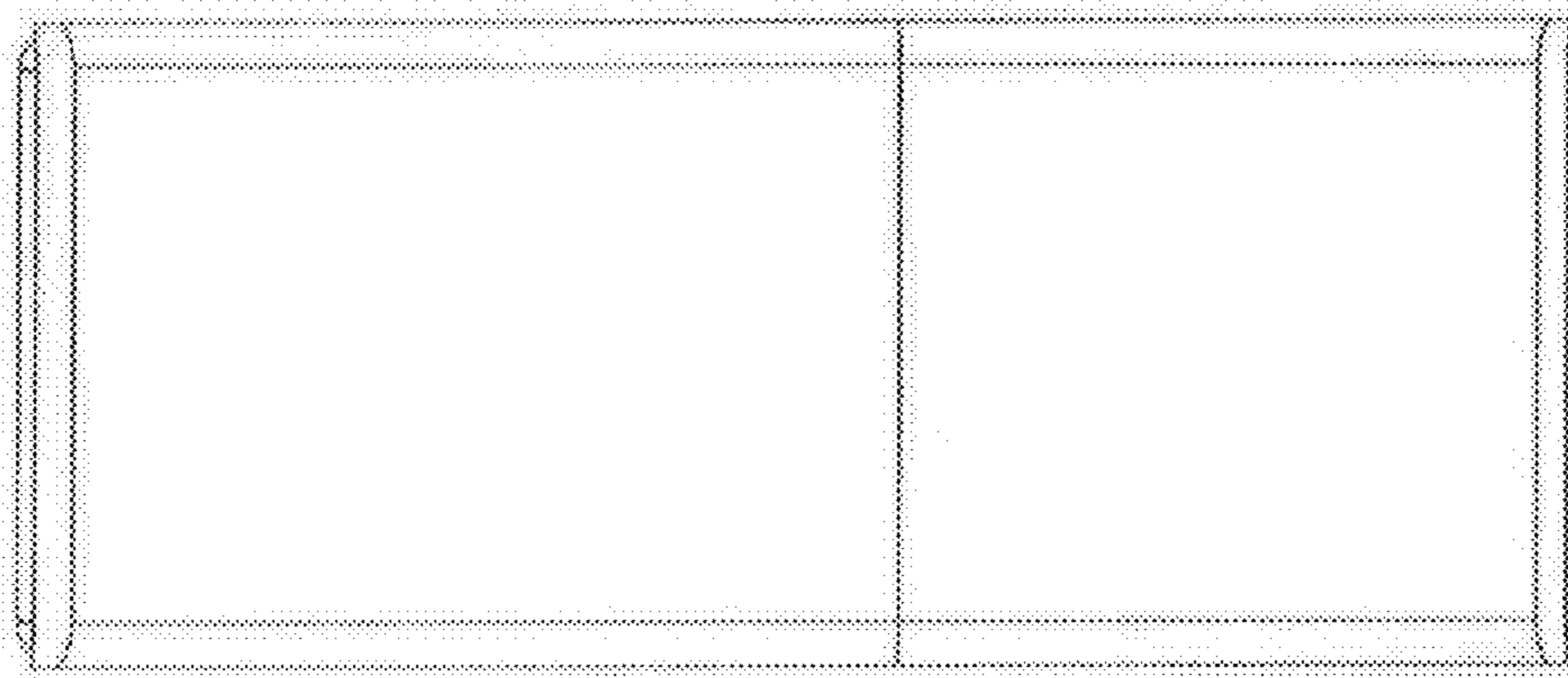


FIG. 7

