



US00D821446S

(12) **United States Design Patent** (10) **Patent No.:** **US D821,446 S**
Squire (45) **Date of Patent:** **** Jun. 26, 2018**

(54) **ELECTRIC MOTOR CONTROLLER**

6/34; H02P 7/04; H01R 13/5213; H01R 13/46

(71) Applicant: **Sevcon Limited**, Gateshead, Tyne & Wear (GB)

See application file for complete search history.

(72) Inventor: **Gary Squire**, Gateshead (GB)

(56) **References Cited**

(73) Assignee: **SEVCON LIMITED**, Gatesway, Tyne and Wear (GB)

U.S. PATENT DOCUMENTS

(**) Term: **15 Years**

(21) Appl. No.: **29/595,449**

D352,275	S	*	11/1994	Crawley	D13/122
D503,389	S	*	3/2005	Dabrowski	D13/184
D722,576	S	*	2/2015	Zimmer	D13/179
D722,577	S	*	2/2015	Zimmer	D13/179
9,281,607	B2	*	3/2016	Lee	H01R 13/5202
D772,299	S	*	11/2016	Okamoto	D15/5
D772,300	S	*	11/2016	Okamoto	D15/5
D772,943	S	*	11/2016	Okamoto	D15/5
9,730,349	B2	*	8/2017	Nuriya	H05K 5/03
9,756,741	B2	*	9/2017	Blossfeld	H05K 5/006
2002/0112869	A1	*	8/2002	Kobayashi	B60R 16/0239 174/50
2003/0161110	A1	*	8/2003	Spasevski	B60R 16/0239 361/715
2005/0115727	A1	*	6/2005	Sakata	B60R 16/0239 174/17 VA
2006/0082975	A1	*	4/2006	Caines	H05K 5/061 361/719

(22) Filed: **Feb. 28, 2017**

(30) **Foreign Application Priority Data**

Aug. 31, 2016 (EM) 003359504-0001
 Aug. 31, 2016 (EM) 003359504-0002
 Aug. 31, 2016 (EM) 003359504-0003

(Continued)

(51) **LOC (11) Cl.** **15-01**

Primary Examiner — T. Chase Nelson

(52) **U.S. Cl.**
USPC **D15/5**

Assistant Examiner — Ania Aman

(58) **Field of Classification Search**

USPC D15/5; D9/737, 424, 416, 425, 347, 761;
 D7/553.1, 555; D13/184, 179, 119, 122,
 D13/112, 162, 164
 CPC F02D 29/00; F02D 41/20; F02D 2400/18;
 F02D 2400/21; F02D 2041/285; H01L
 25/162; H05K 5/0091; H05K 5/0204;
 H05K 5/0073; H05K 5/0217; H05K
 5/0243; H05K 5/03; H05K 5/0247; H05K
 5/04; H05K 5/06; H05K 5/069; H05K
 5/0221; H05K 5/061; H05K 5/0056;
 H02G 3/08; B60R 16/0239; B60L
 11/1803; H02P 7/298; H02P 6/001; H02P

(74) *Attorney, Agent, or Firm* — Norton Rose Fulbright US LLP

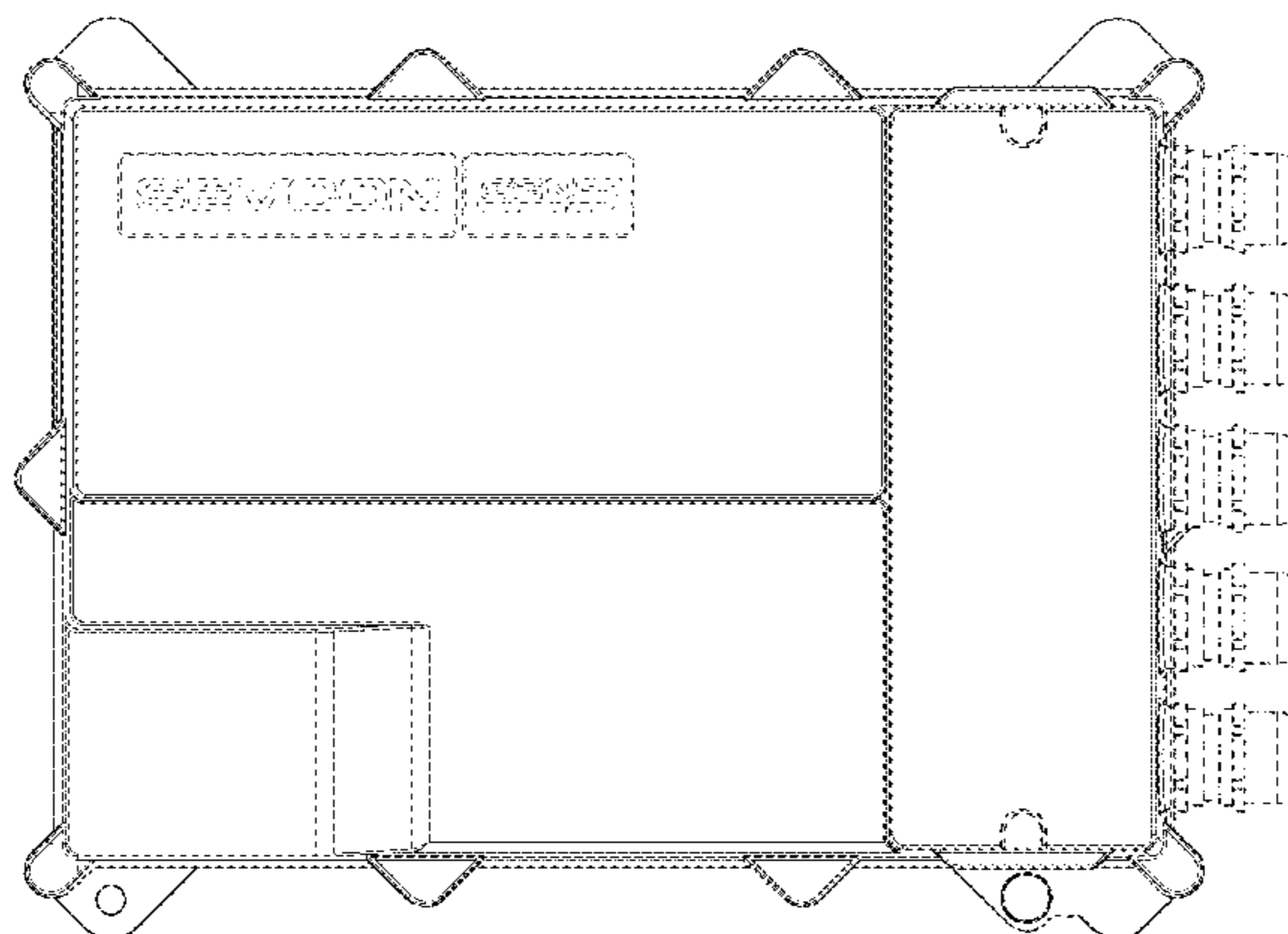
(57) **CLAIM**

The ornamental design for an electric motor controller, as shown and described.

DESCRIPTION

FIG. 1 is a top orthogonal view of my design for an electric motor controller;
 FIG. 2 is a side orthogonal view of my design;
 FIG. 3 is a bottom orthogonal view of my design;
 FIG. 4 is an upper perspective view of my design; and,
 FIG. 5 is a front orthogonal view of my design.

(Continued)



The broken lines shown in the view depict unclaimed environmental subject matter only and form no part of the claimed design.

1 Claim, 3 Drawing Sheets

(56)

References Cited

U.S. PATENT DOCUMENTS

2011/0085307	A1*	4/2011	Burgi	H05K 5/0073	361/752
2013/0146373	A1*	6/2013	Kosaki	B60K 1/04	180/65.1
2013/0286597	A1*	10/2013	Zhang	H05K 5/0056	361/720
2014/0065877	A1*	3/2014	Ohhashi	H05K 5/0052	439/519

2014/0111950	A1*	4/2014	Yamasaki	B60R 16/0239	361/747
2014/0131536	A1*	5/2014	Riedel	B60R 16/0239	248/231.9
2014/0334115	A1*	11/2014	Yang	H05K 7/1427	361/752
2015/0271933	A1*	9/2015	Kaneko	H05K 1/0203	361/690
2015/0282362	A1*	10/2015	Nuriya	H05K 5/061	361/728
2016/0031398	A1*	2/2016	Azuma	B60R 21/01	361/752
2016/0200270	A1*	7/2016	Tanahashi	H05K 7/1432	318/503
2017/0112011	A1*	4/2017	Nuriya	H05K 1/181	
2017/0149223	A1*	5/2017	Sasaki	H02G 3/16	
2017/0334375	A1*	11/2017	Shigyo	B60R 16/0239	
2017/0341607	A1*	11/2017	Sumida	B60R 16/0239	

* cited by examiner

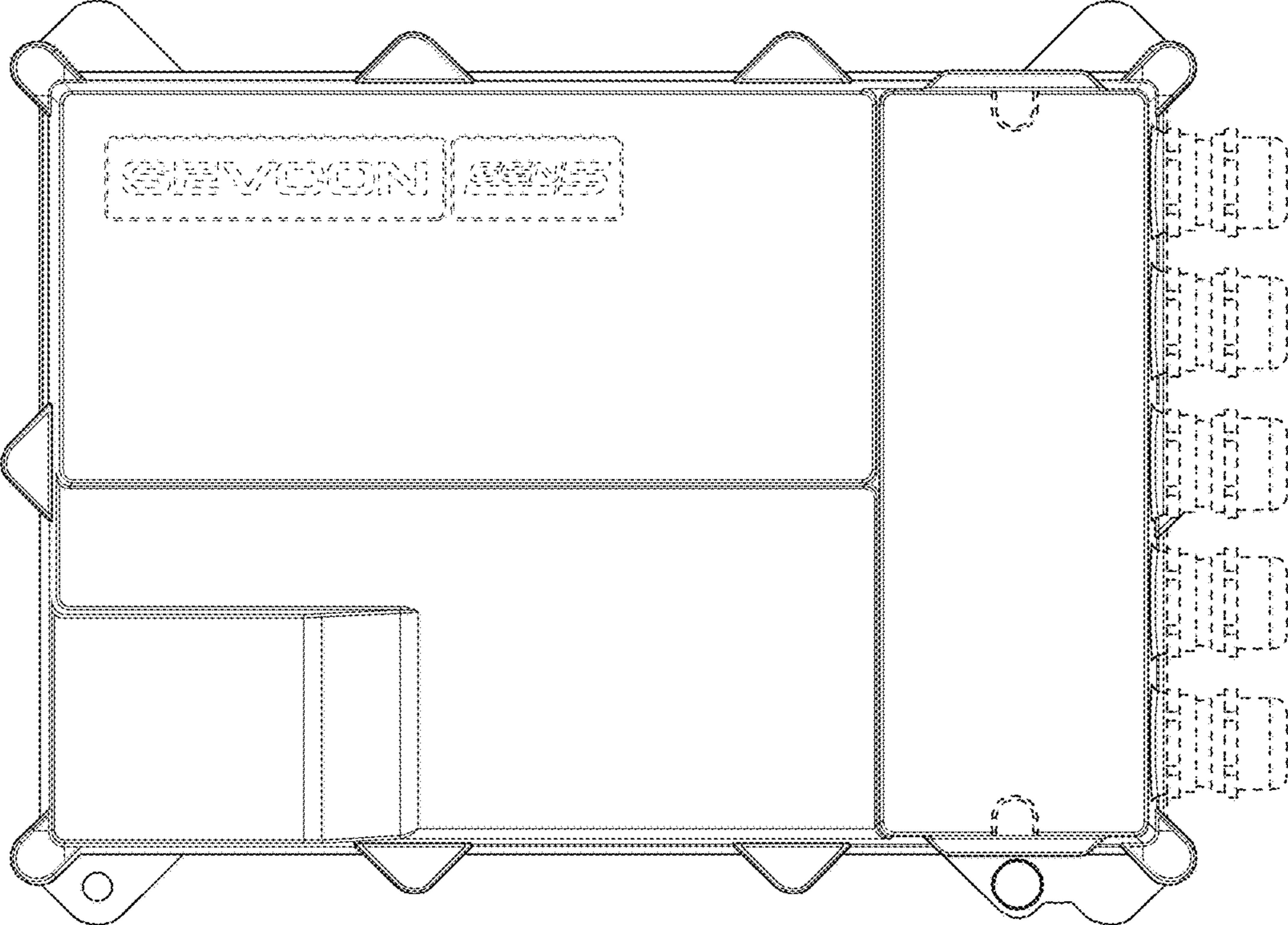


FIG. 1

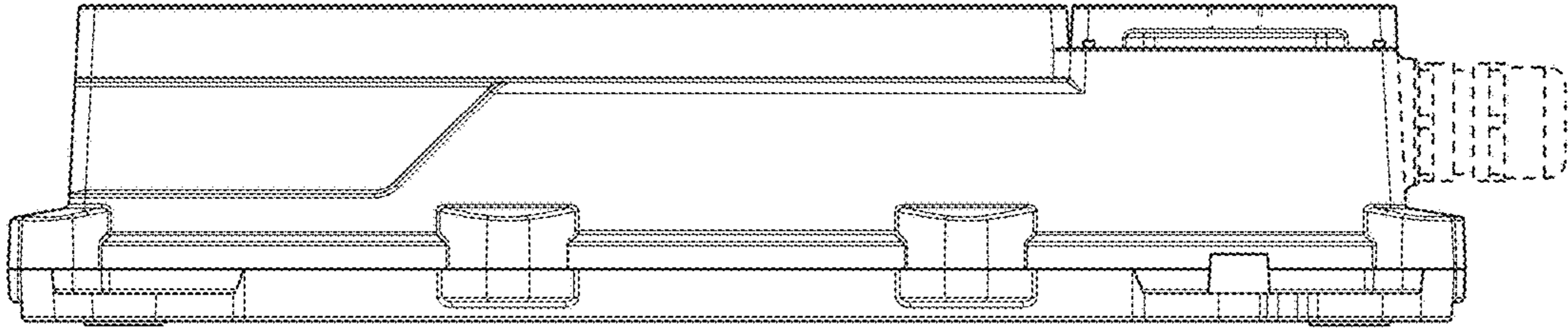


FIG. 2

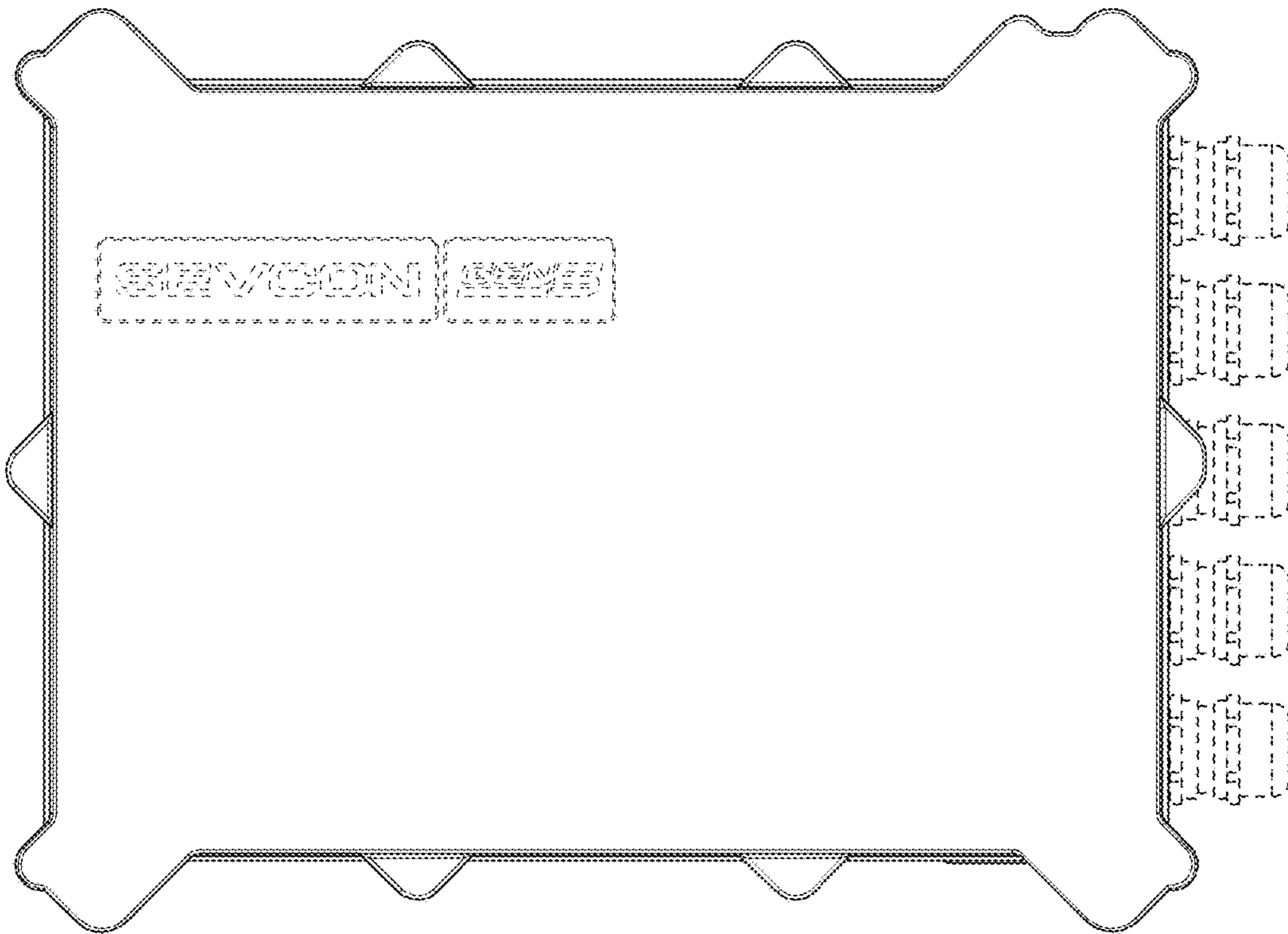


FIG. 3

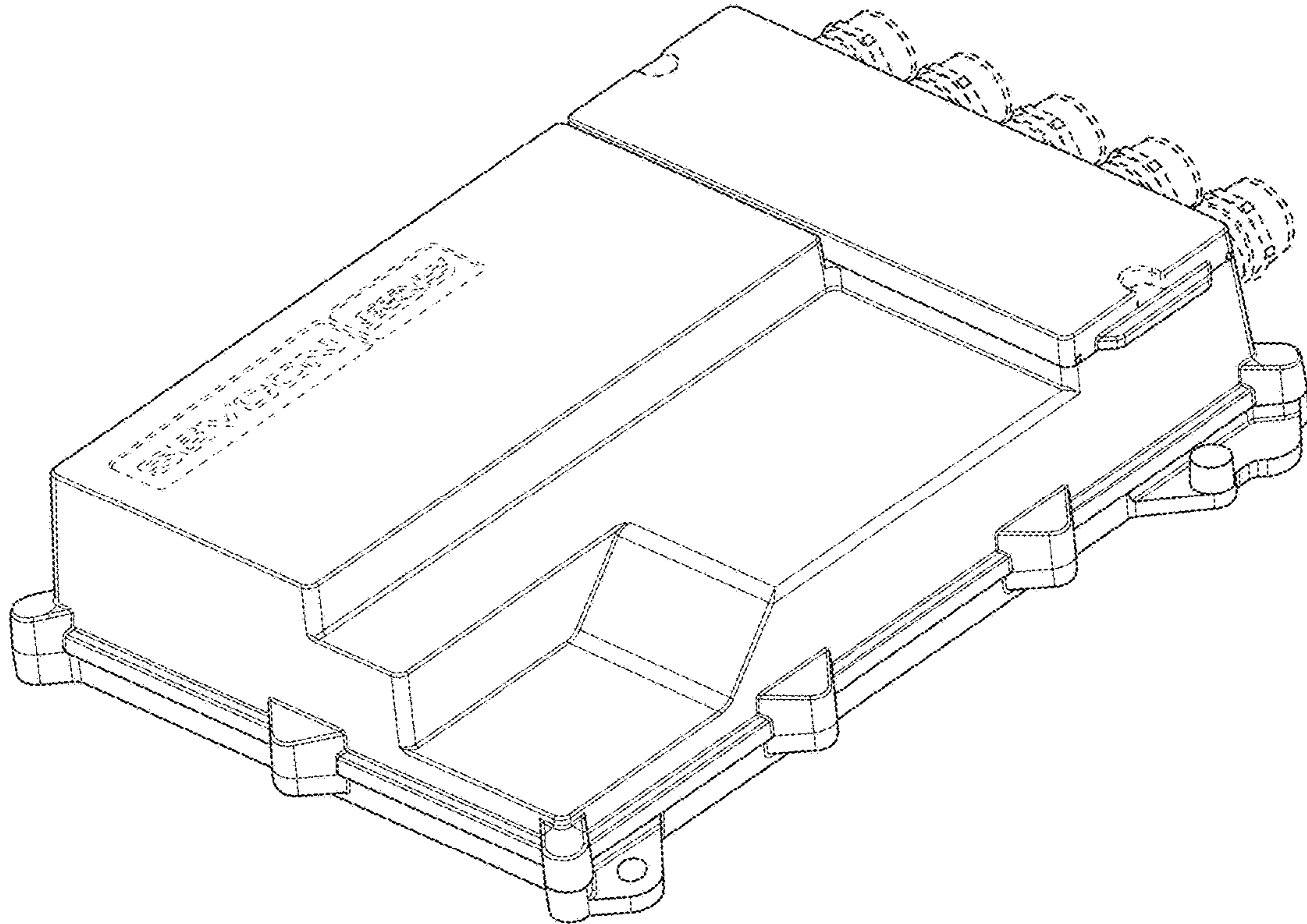


FIG. 4

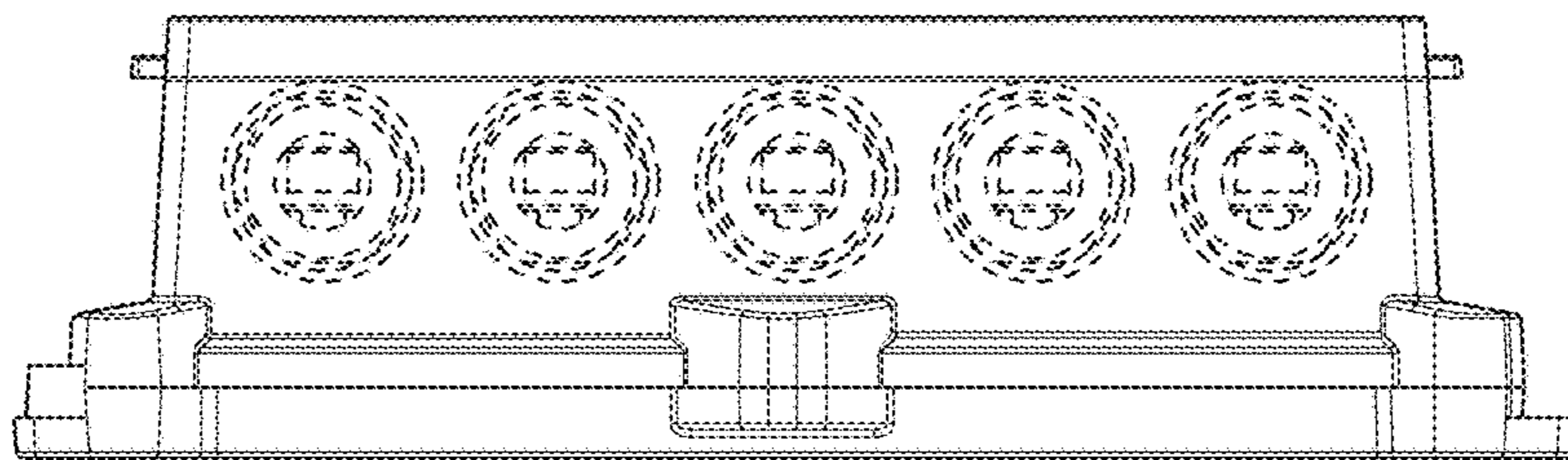


FIG. 5