



US00D821445S

(12) **United States Design Patent**  
**Buchen et al.**

(10) **Patent No.:** **US D821,445 S**  
(45) **Date of Patent:** **\*\* Jun. 26, 2018**

(54) **OIL PAN WITH INTEGRATED SUCTION FILTER**

(71) Applicant: **IBS FILTRAN KUNSTSTOFF-/METALLERZEUGNISSE GMBH**, Morsbach (DE)

(72) Inventors: **Marc Buchen**, Morsbach (DE); **Wolfgang Stausberg**, Morsbach (DE); **Robert Morgenstern**, Waldbroel (DE); **Joerg Klueser**, Friesenhagen (DE)

(73) Assignee: **IBS FILTRAN KUNSTSTOFF-/METALLERZEUGNISSE GMBH**, Morsbach (DE)

(\*\*) Term: **15 Years**

(21) Appl. No.: **29/577,899**

(22) Filed: **Sep. 16, 2016**

(30) **Foreign Application Priority Data**

May 10, 2016 (DE) ..... 40 2016 201 821

(51) **LOC (11) Cl.** ..... **15-01**

(52) **U.S. Cl.**  
USPC ..... **D15/5**

(58) **Field of Classification Search**

USPC ..... D15/5, 149, 150, 151, 152  
CPC ..... B01D 35/0273; B01D 35/30; B01D 35/005; F16H 57/0404; F16H 57/04; F16H 57/0452; F01M 11/0004; F01M 11/0408; F01M 2011/007; F01M 2011/0416

See application file for complete search history.

(56) **References Cited**

**U.S. PATENT DOCUMENTS**

4,826,598 A \* 5/1989 Cain ..... B01D 35/0273  
210/323.2  
5,853,577 A \* 12/1998 Gizowski ..... B01D 35/0273  
156/73.5

6,105,464 A \* 8/2000 Shimizu ..... B60K 17/105  
184/6.25  
D458,275 S \* 6/2002 Weng ..... D15/5  
D458,276 S \* 6/2002 Weng ..... D15/5  
D463,803 S \* 10/2002 Wolford ..... D15/5  
D472,247 S \* 3/2003 Beer ..... D15/5  
6,582,593 B2 \* 6/2003 Wolford ..... B01D 35/0273  
210/130  
6,688,433 B1 \* 2/2004 Hauser ..... B60K 17/10  
184/6.24  
D491,194 S \* 6/2004 Wolford ..... D15/5  
(Continued)

*Primary Examiner* — T. Chase Nelson

*Assistant Examiner* — Ania Aman

(74) *Attorney, Agent, or Firm* — Grossman, Tucker, Perreault & Pfeleger, PLLC

(57) **CLAIM**

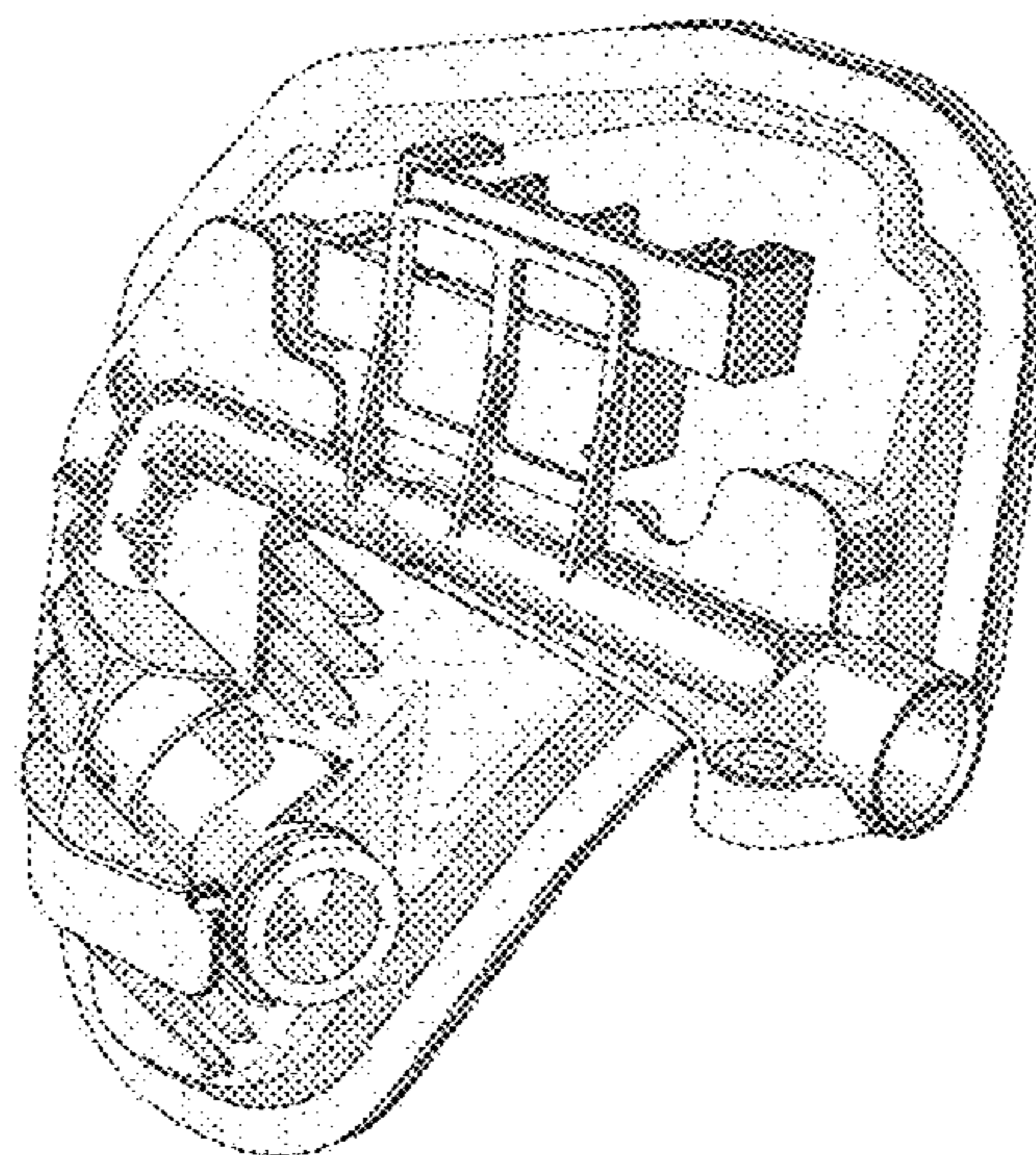
The ornamental design for an oil pan with integrated suction filter, as shown and described.

**DESCRIPTION**

FIG. 1 is a perspective view of an oil pan with integrated suction filter of the present invention;  
FIG. 2 is a top view of the oil pan with integrated suction filter of FIG. 1;  
FIG. 3 is a bottom view of the oil pan with integrated suction filter of FIG. 1;  
FIG. 4 is a front view of the oil pan with integrated suction filter of FIG. 1;  
FIG. 5 is a rear view of the oil pan with integrated suction filter of FIG. 1;  
FIG. 6 is a left side view of the oil pan with integrated suction filter of FIG. 1; and,  
FIG. 7 is a right side view of the oil pan with integrated suction filter of FIG. 1.

The broken lines shown in the drawings are for the purpose of illustrating unclaimed portions of the article and form no part of the claimed design.

**1 Claim, 7 Drawing Sheets**



# US D821,445 S

Page 2

(56)

## References Cited

### U.S. PATENT DOCUMENTS

D641,385 S \* 7/2011 Armstrong ..... D15/150  
2002/0179507 A1\* 12/2002 Wolford ..... B01D 35/0273  
210/130  
2003/0006085 A1\* 1/2003 Caldwell ..... B01D 29/15  
180/339  
2003/0006179 A1\* 1/2003 Caldwell ..... B01D 29/05  
210/167.08  
2003/0132157 A1\* 7/2003 Beer ..... F01M 11/0004  
210/435  
2004/0007520 A1\* 1/2004 Rosendahl ..... F01M 11/0004  
210/435  
2006/0180398 A1\* 8/2006 Khalil ..... B01D 35/0273  
184/106  
2006/0231482 A1\* 10/2006 Khalil ..... B01D 35/0273  
210/473  
2006/0254974 A1\* 11/2006 Khalil ..... B01D 35/0273  
210/420

2007/0017745 A1\* 1/2007 Rosendahl ..... F01M 11/0004  
184/6.24  
2009/0250410 A1\* 10/2009 Khalil ..... B01D 29/56  
210/767  
2011/0284453 A1\* 11/2011 Toyoshima ..... B01D 35/0273  
210/435  
2012/0160759 A1\* 6/2012 Khalil ..... B01D 35/0273  
210/335  
2014/0076795 A1\* 3/2014 Pekarsky ..... B01D 35/0273  
210/348  
2014/0116931 A1\* 5/2014 Beer ..... F01M 11/0004  
210/196  
2014/0144831 A1\* 5/2014 Rosendahl ..... B01D 35/0273  
210/416.5  
2015/0096932 A1\* 4/2015 Hou ..... B01D 29/58  
210/473  
2016/0319715 A1\* 11/2016 Shieh ..... F01M 11/0004

\* cited by examiner

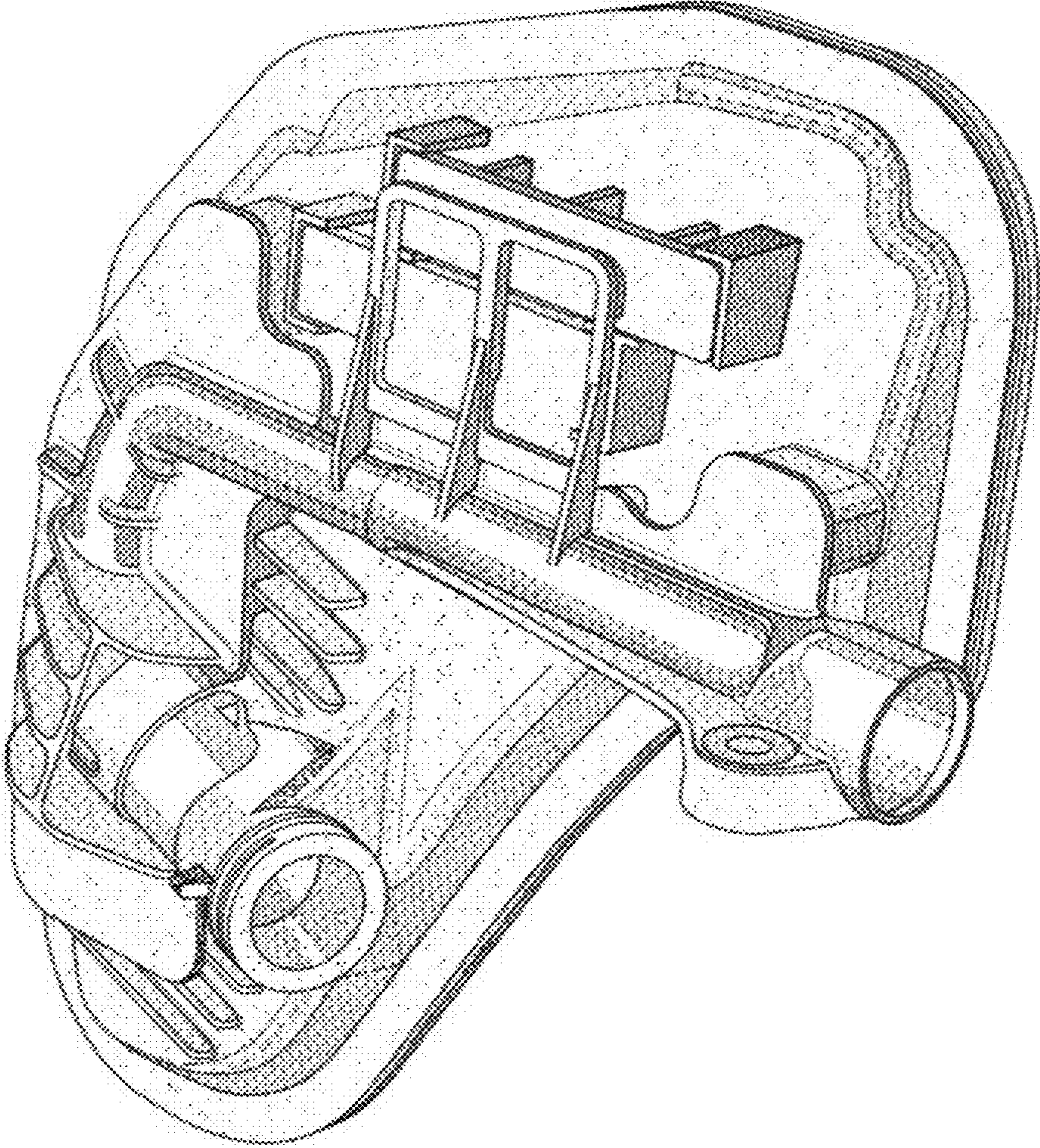


FIG. 1

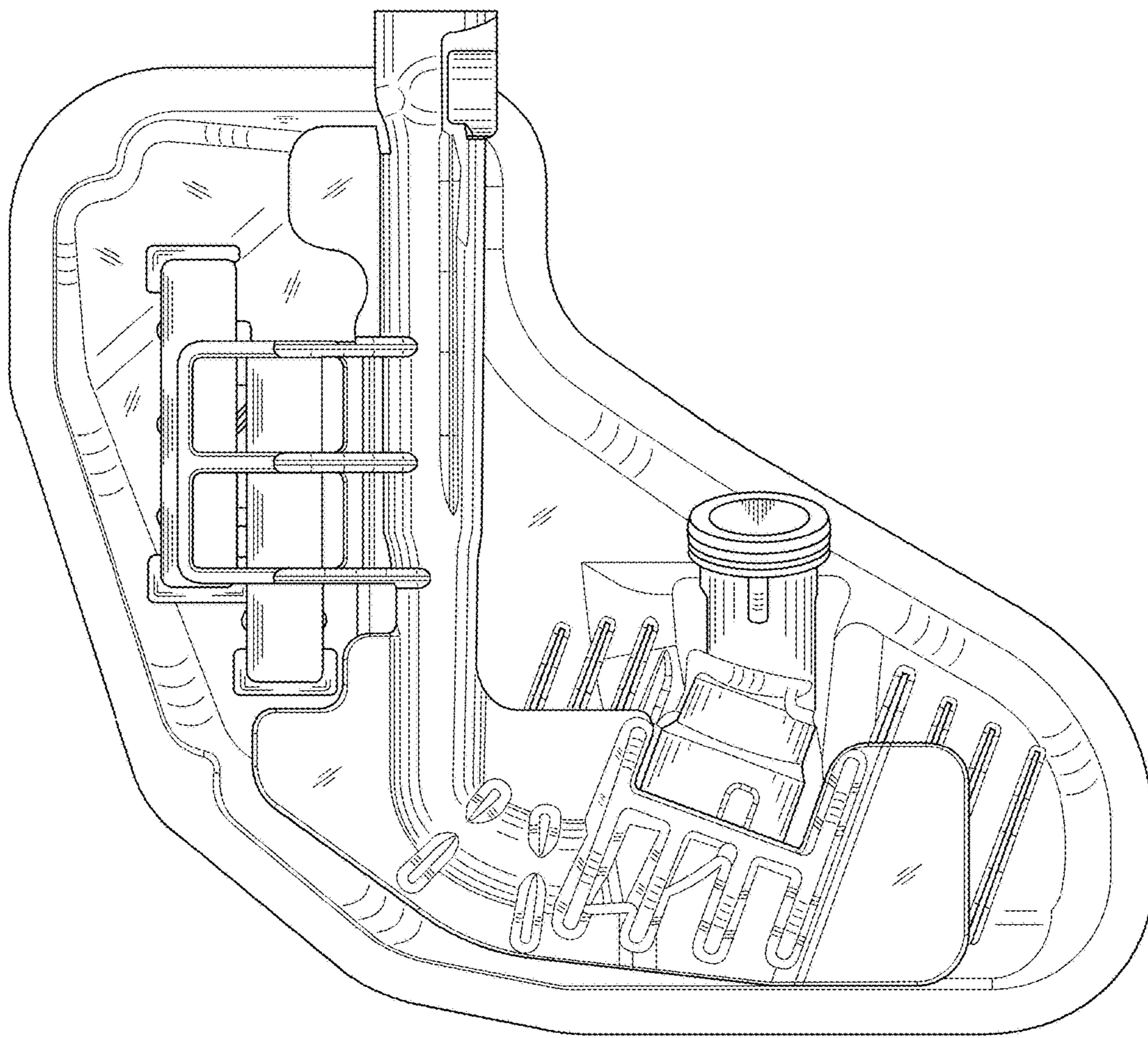


FIG. 2

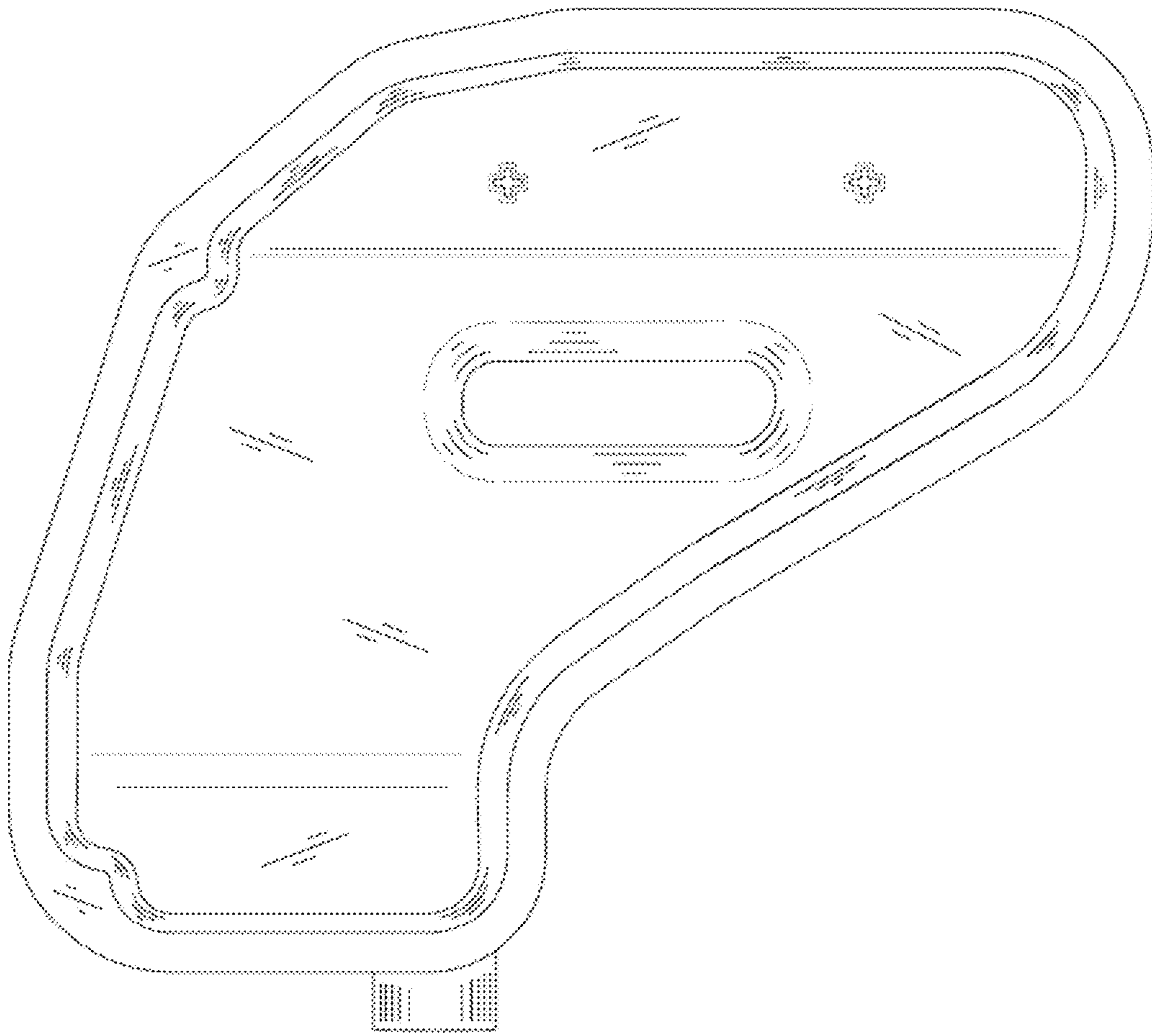


FIG. 3

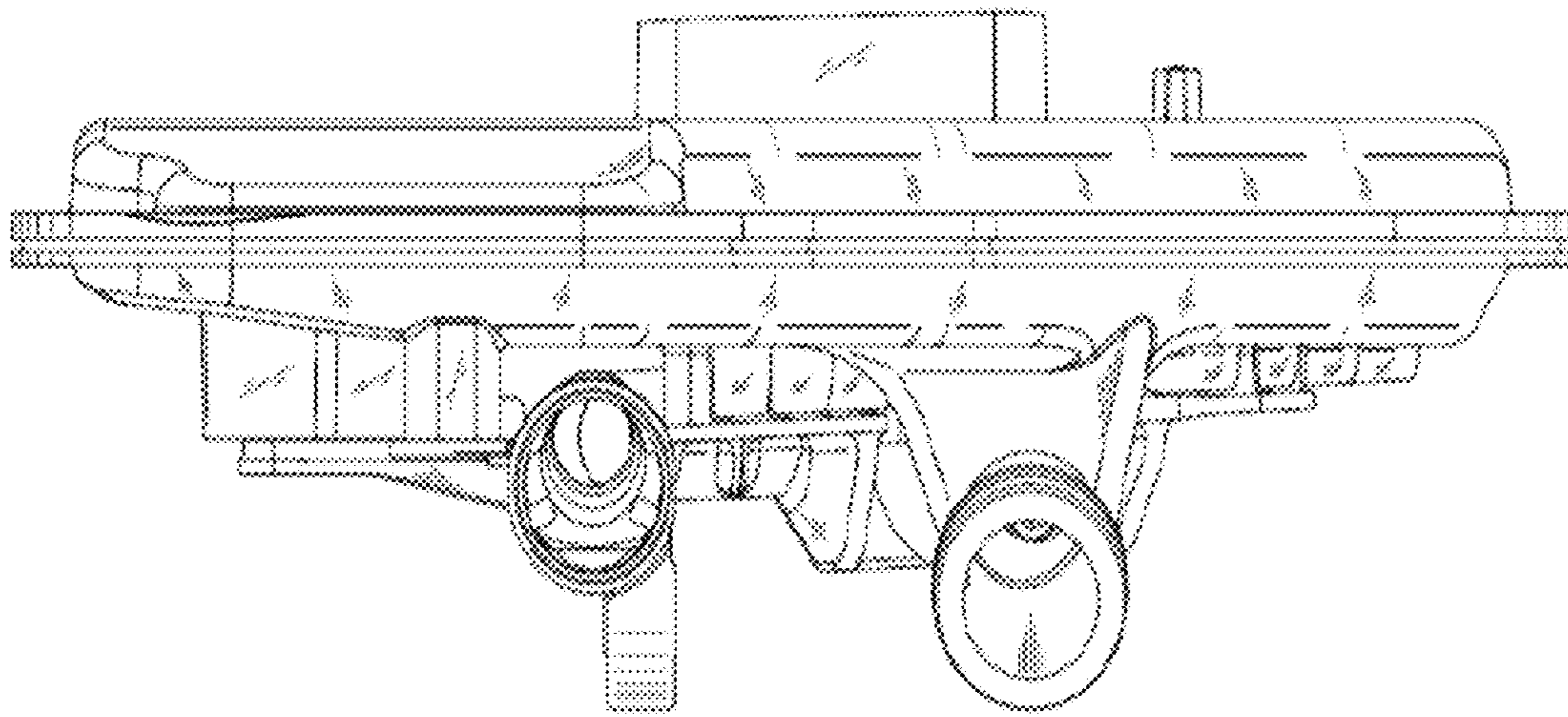


FIG. 4

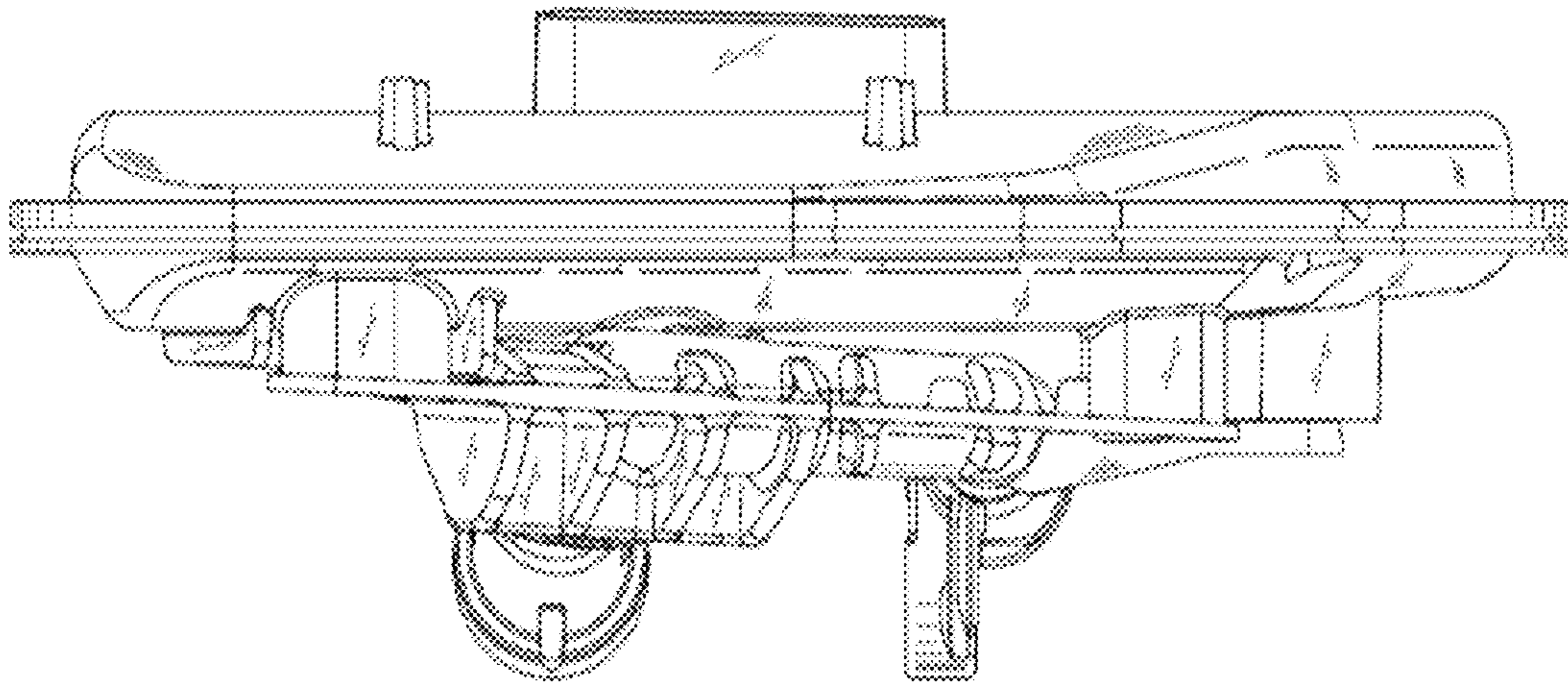
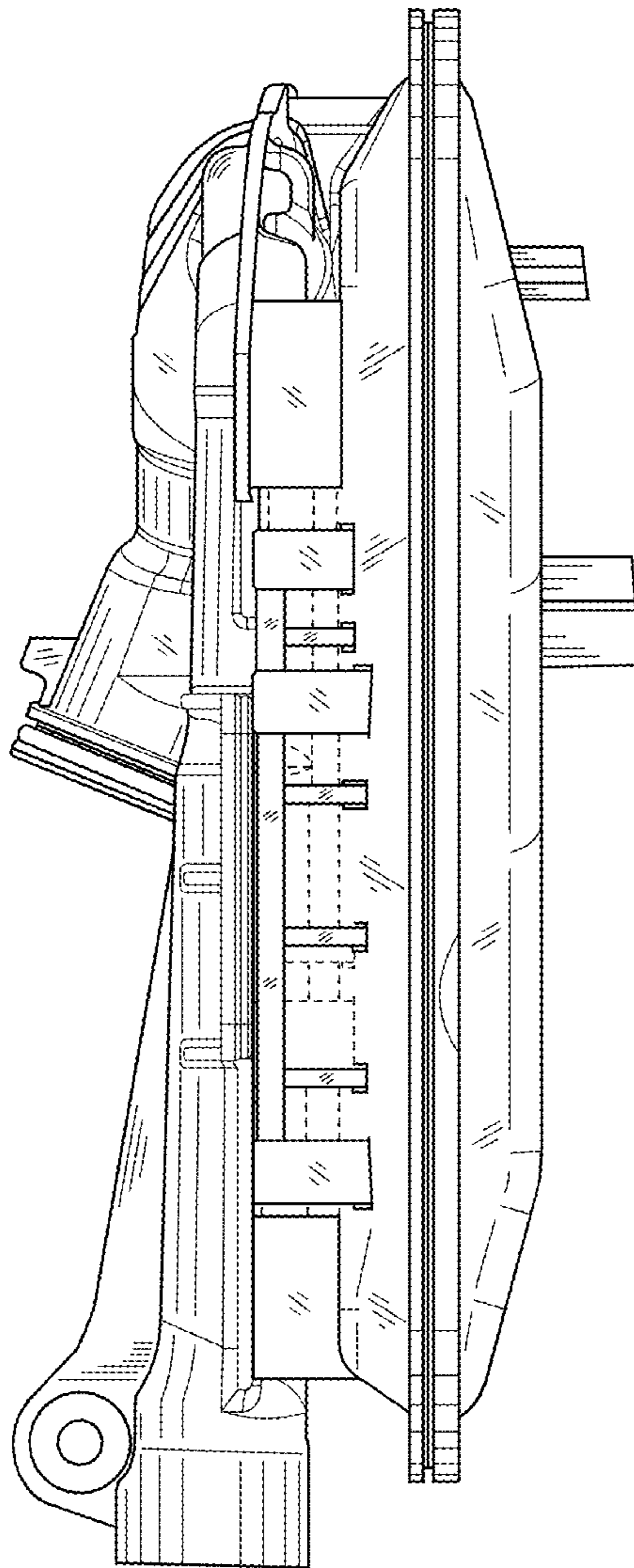


FIG. 5



**FIG. 6**



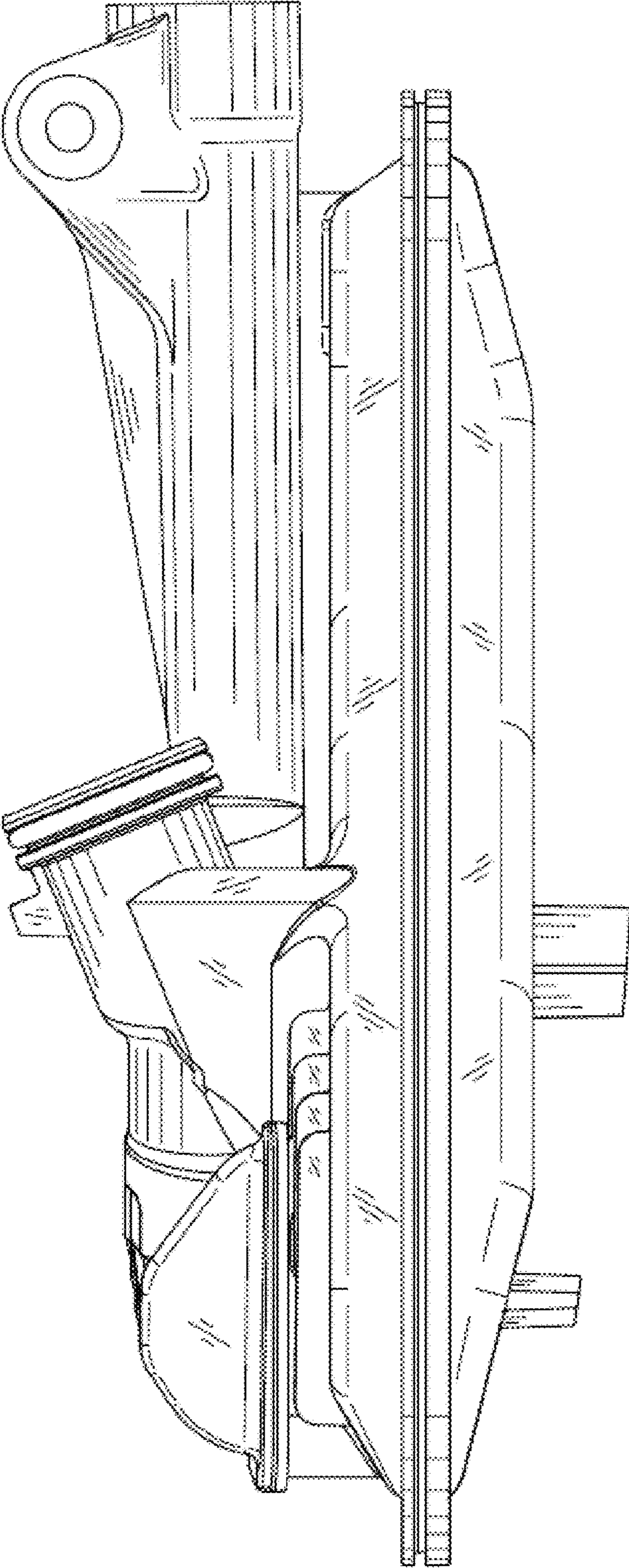


FIG. 7