



US00D821444S

(12) **United States Design Patent**  
**Maibach**

(10) **Patent No.:** **US D821,444 S**  
(45) **Date of Patent:** **\*\* Jun. 26, 2018**

(54) **DISPLAY SCREEN OR PORTION THEREOF WITH ICON**

(71) Applicant: **MTD Products Inc**, Valley City, OH (US)

(72) Inventor: **Ryan W. Maibach**, Medina, OH (US)

(73) Assignee: **MTD Products Inc**, Valley City, OH (US)

(\*\*) Term: **15 Years**

(21) Appl. No.: **29/580,703**

(22) Filed: **Oct. 12, 2016**

(51) **LOC (11) Cl.** ..... **14-04**

(52) **U.S. Cl.**  
USPC ..... **D14/492**

(58) **Field of Classification Search**  
USPC ..... D14/485-495; D5/607, 634, 635, 637, D5/652, 667; D2/10, 11, 22-33, 39, 40; D20/20, 26, 30, 40, 63-65  
CPC ..... G06F 3/048-3/04897; G05D 2201/0208; H04M 1/6075; B60L 2200/40  
See application file for complete search history.

(56) **References Cited**

**U.S. PATENT DOCUMENTS**

D494,983 S *	8/2004	Peter	.....	D14/491
D606,093 S *	12/2009	Danton	.....	D14/489
D620,952 S *	8/2010	Kaczmarek	.....	D14/492
D635,151 S *	3/2011	Kaczmarek	.....	D14/492
D667,435 S *	9/2012	Majeti	.....	D14/492
D667,444 S *	9/2012	Phelan	.....	D14/492
D707,707 S *	6/2014	Harre	.....	D14/492
D711,919 S *	8/2014	Lee	.....	D14/491
D712,925 S	9/2014	Meegan		
D721,729 S	1/2015	Thompson		
D721,730 S	1/2015	Thompson		
D725,144 S	3/2015	Johnson		
D725,145 S	3/2015	Johnson		

D725,149 S	3/2015	Baker
D725,150 S	3/2015	Thompson
D725,151 S	3/2015	Bray et al.
D726,220 S	4/2015	Biehl
D729,839 S	5/2015	Bray et al.
D729,843 S	5/2015	Bray et al.
D730,393 S	5/2015	Bray et al.
D730,394 S	5/2015	Bray
D730,400 S	5/2015	Bray et al.
D730,401 S	5/2015	Bray et al.
D732,576 S	6/2015	Meegan et al.
D735,755 S	8/2015	Bray
D738,917 S	9/2015	Bray et al.

(Continued)

**OTHER PUBLICATIONS**

Gardening Icons, iconswebsite.com [online], published on Jan. 9, 2015, [retrieved on Feb. 14, 2018], retrieved from the Internet <URL: <http://iconswebsite.com/shutterstock-image/gardening-icons-242863858.html>>.\*

(Continued)

*Primary Examiner* — Cathron C Brooks  
*Assistant Examiner* — Ian F Whitmore  
(74) *Attorney, Agent, or Firm* — Wegman, Hessler & Vanderburg

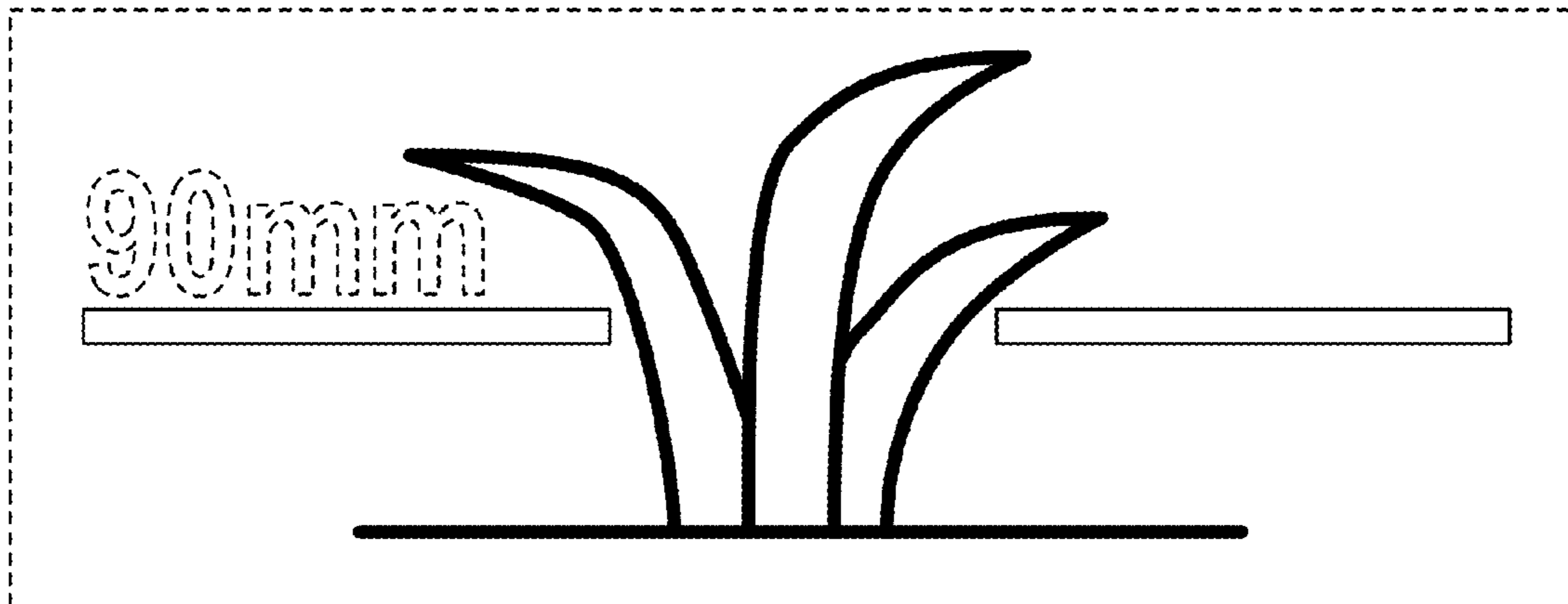
(57) **CLAIM**

The ornamental design for a display screen or portion thereof with icon, as shown and described.

**DESCRIPTION**

FIG. 1 is a front view of a display screen or portion thereof with icon showing my new design; and, FIG. 2 is a front view of a second embodiment thereof. The rectangular broken-line perimeter illustrates a display screen or portion thereof and forms no part of the claimed design. The remaining broken lines illustrate portions of an icon and form no part of the claimed design.

**1 Claim, 2 Drawing Sheets**



(56)

**References Cited**

U.S. PATENT DOCUMENTS

D739,874	S	9/2015	Bray	
D739,879	S	9/2015	Bray et al.	
D740,321	S	10/2015	Bray et al.	
D745,054	S	12/2015	Bray et al.	
D745,557	S	12/2015	Sikkema et al.	
D747,736	S	1/2016	Bray et al.	
D755,234	S *	5/2016	Seo .....	D14/492
D760,780	S *	7/2016	Utsugida .....	D14/491
D761,306	S	7/2016	Sikkema et al.	
D761,312	S	7/2016	Sikkema et al.	
D764,544	S *	8/2016	Ward .....	D14/491
D793,434	S *	8/2017	Mustonen .....	D14/489
2015/0234385	A1 *	8/2015	Sandin .....	G05D 1/0265 700/258

OTHER PUBLICATIONS

MTD Logo, Free Logos, vector.me [online], published on Feb. 4, 2012, [retrieved on Feb. 12, 2018], retrieved from the Internet <URL: <https://vector.me/browse/6483/mtd>>.\*

Petrol Trimmers and Brushcutters, MTD-eu.com [online], last updated Aug. 5, 2013, [retrieved on Feb. 12, 2018], retrieved from the Internet <URL: <http://www.mtd-eu.com/index.php?id=22268>>.\*

Plants Grass Icon, by Icons8, iconarchive.com [online], published on Jul. 23, 2014, [retrieved on Feb. 12, 2018], retrieved from the Internet <URL: <http://www.iconarchive.com/show/ios7-icons-by-icons8/Plants-Grass-icon.html>>.\*

\* cited by examiner

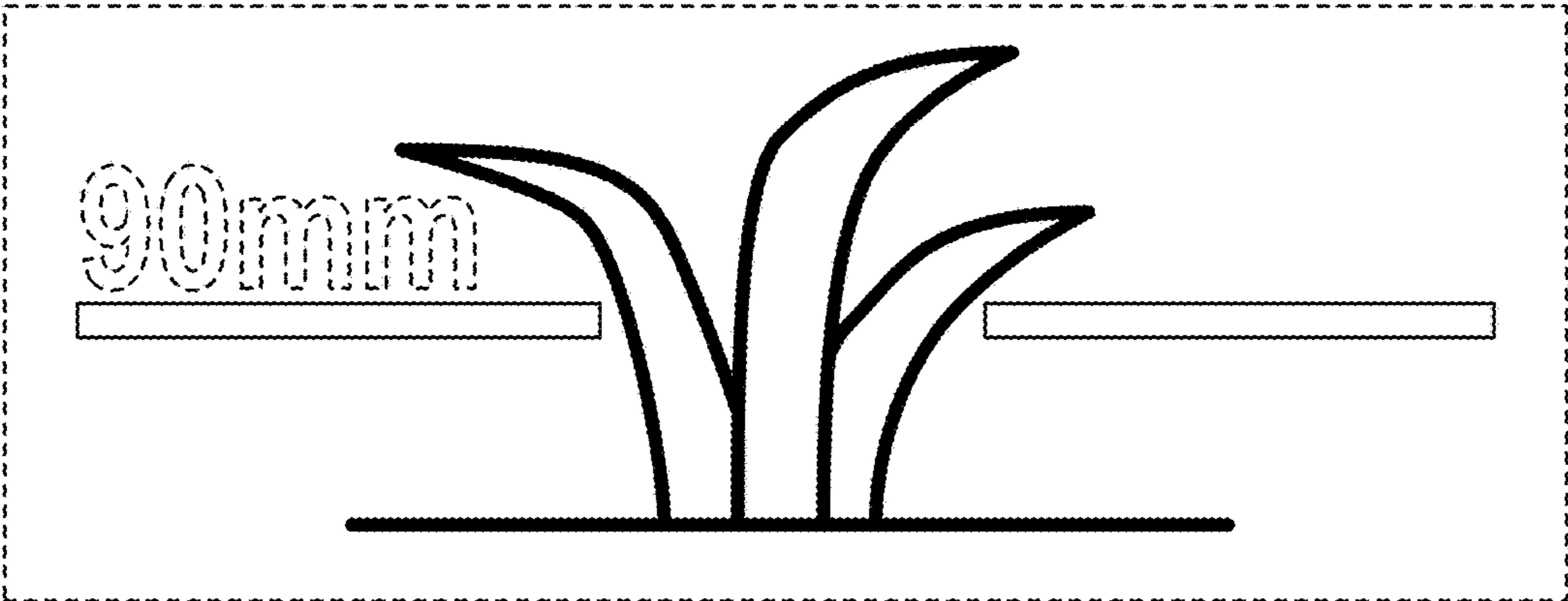


FIG. 1

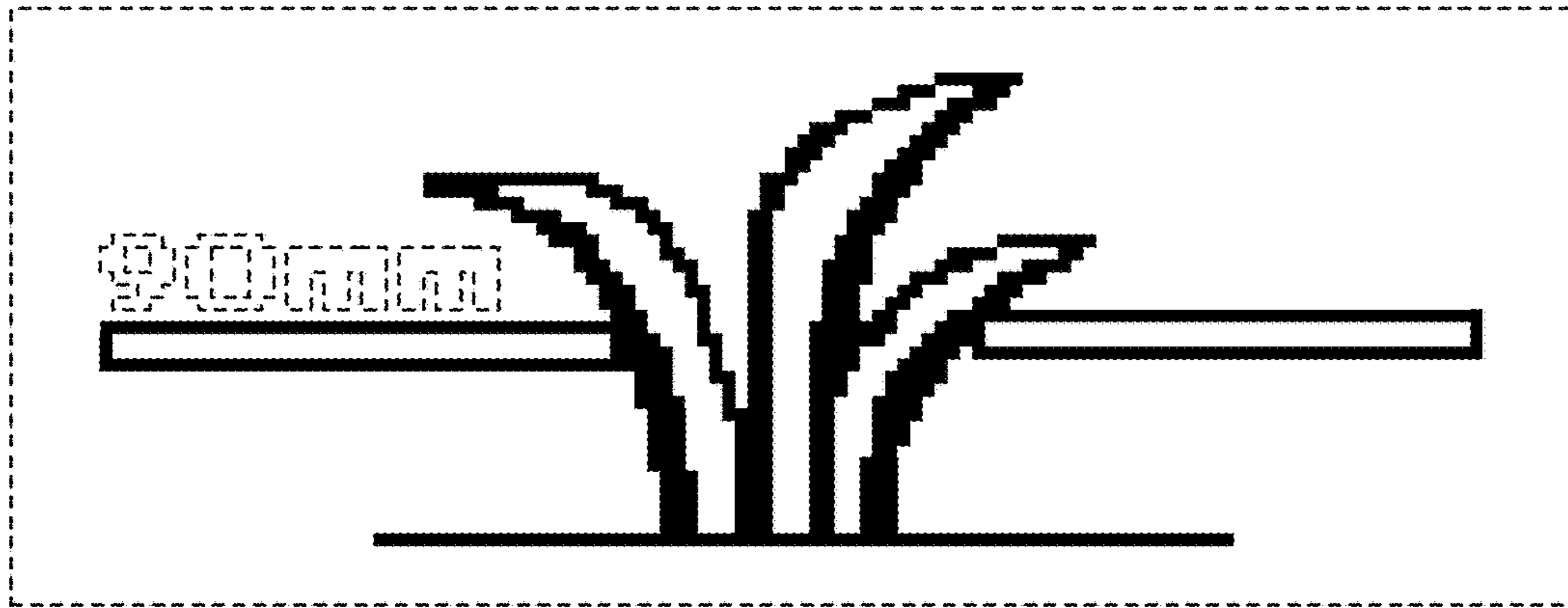


FIG. 2