



US00D821442S

(12) **United States Design Patent**
Sergeev

(10) **Patent No.:** **US D821,442 S**
(45) **Date of Patent:** **** Jun. 26, 2018**

(54) **DISPLAY DEVICE WITH A GRAPHICAL USER INTERFACE SHOWING A VEHICLE NAVIGATOR TRAFFIC LEVEL INDICATOR ELEMENT**

D295,634 S * 5/1988 Wells-Papanek 14/490
D384,052 S * 9/1997 Kodosky D14/490
6,373,591 B1 * 4/2002 Seaman G06T 7/60
358/1.18
7,487,467 B1 * 2/2009 Kawahara G06F 3/04817
715/762
D596,064 S * 7/2009 Marzette, Jr. D10/115
D663,743 S * 7/2012 Tanghe D14/489
D669,499 S * 10/2012 Gardner D14/495
D683,358 S * 5/2013 Garn D14/489

(71) Applicant: **YANDEX EUROPE AG**, Lucerne (CH)

(72) Inventor: **Vasily Mikhailovich Sergeev**, Moscow (RU)

(73) Assignee: **Yandex Europe AG**, Lucerne (CH)

(**) Term: **15 Years**

(21) Appl. No.: **29/569,347**

(22) Filed: **Jun. 27, 2016**

Related U.S. Application Data

(62) Division of application No. 29/447,568, filed on Mar. 5, 2013, now Pat. No. Des. 763,314.

(51) **LOC (11) Cl.** **14-04**

(52) **U.S. Cl.**
USPC **D14/489**

(58) **Field of Classification Search**
USPC D14/485-495
CPC G06F 3/048; G06F 3/0481; G06F 3/04817;
G06F 3/0482; G06F 3/0483; G06F
3/04842; G06F 3/0485; G06F 3/04855;
G06F 3/0486; G06F 3/0488; G06F
3/04886; G06F 9/4443; G06F 17/211;
G06F 17/212
See application file for complete search history.

(56) **References Cited**

U.S. PATENT DOCUMENTS

1,484,564 A * 2/1924 Riffert A63F 1/02
273/292
4,480,840 A * 11/1984 Chang A63F 1/00
273/161

OTHER PUBLICATIONS

“GeoSat Microwave Flexible and Twistable Waveguide” Aug. 26, 2012, GeoSat Microwave, site visited Oct. 31, 2017 <http://www.geosatmicrowave.com/en/accessories/11-geosat-microwave-flexible-and-twistable-waveguide.html>.*

(Continued)

Primary Examiner — Kevin K Rudinski

Assistant Examiner — Jack Reickel

(74) *Attorney, Agent, or Firm* — BCF LLP

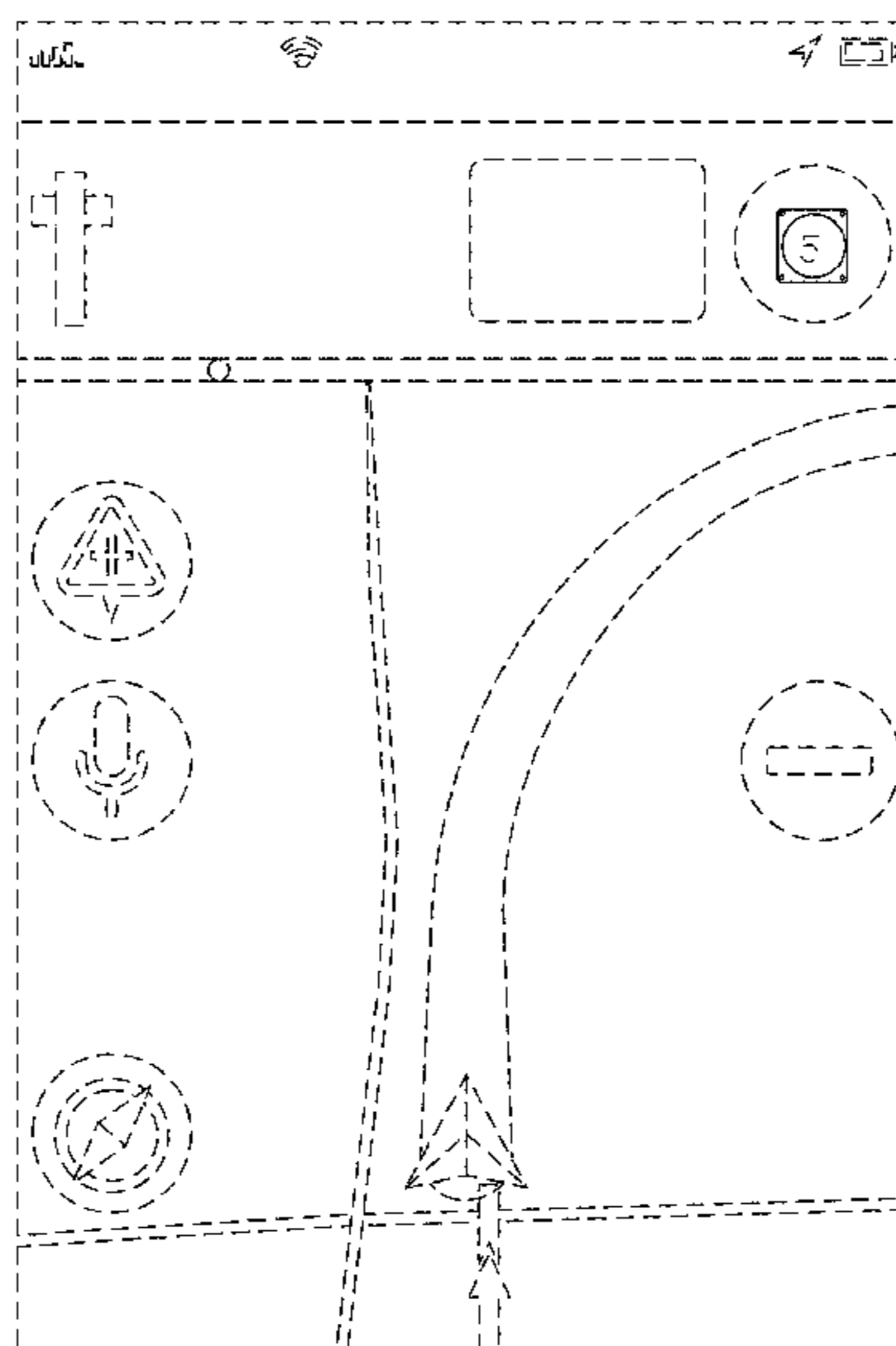
(57) **CLAIM**

The ornamental design for a display device with a graphical user interface showing a vehicle navigator traffic level indicator element, as shown and described.

DESCRIPTION

The sole FIGURE is a front view of a display device with a graphical user interface according to my design. In the sole FIGURE, if and where shown, the broken lines illustrating the display device and portions of the graphical user interface form no part of the claimed design. Portions of the display device and user interface not shown in the sole FIGURE and not otherwise described in this specification do not form part of the claimed design.

1 Claim, 1 Drawing Sheet



(56)

References Cited

U.S. PATENT DOCUMENTS

8,542,192 B2 * 9/2013 Onda G06F 3/0489
345/168
D714,333 S * 9/2014 Sterzbach D14/486
2003/0112262 A1 * 6/2003 Adatia G06F 3/0481
715/716
2004/0046713 A1 * 3/2004 Tanaka B60K 35/00
345/33

OTHER PUBLICATIONS

SFP Square Flange Mount Linear Plain Bearing Nov. 10, 2011, PBC
Linear, site visited Oct. 31, 2017 <http://web.archive.org/web/20111110214713/http://www.pbcllinear.com/SFP-Square-Flange-Mount-Linear-Plain-Bearing>.*

“Silver Inlay Square Metal Icons Social Media Logos” Jun. 8, 2009,
icons ETC, site visited Oct. 31, 2017 <http://icons.mysitemyway.com/silver-inlay-square-metal-icons-social-media-logos/>.*

“Opinion on Hot parts turbo flange” Apr. 37, 2005, LS1Tech, site
visited Oct. 31, 2017 <https://ls1tech.com/forums/forced-induction/313055-opinion-hot-parts-turbo-flange.html>.*

* cited by examiner

