



US00D821403S

(12) **United States Design Patent**
Howell et al.

(10) **Patent No.:** **US D821,403 S**
(45) **Date of Patent:** **** Jun. 26, 2018**

(54) **DOCUMENT READER**

(71) Applicant: **GEMALTO SA**, Meudon (FR)

(72) Inventors: **Brett A. Howell**, Ramsey, MN (US);
Chin-Yee Ng, Oakdale, MN (US); **John M. Pilgrim**, Woodbury, MN (US); **Lori A. Sjolund**, Stillwater, MN (US);
Glendon D. Kappel, Eagan, MN (US)

(73) Assignee: **GEMALTO SA**, Meudon (FR)

(**) Term: **15 Years**

(21) Appl. No.: **29/599,809**

(22) Filed: **Apr. 6, 2017**

(51) **LOC (11) Cl.** **14-02**

(52) **U.S. Cl.**
USPC **D14/424**; D14/425

(58) **Field of Classification Search**
USPC D14/421-425, 453, 464; D18/55, 49, 46,
D18/40, 36-39, 41, 44, 45, 47, 48, 50-54,
D18/56; 235/462, 455, 470, 462.43, 482,
235/483; 358/474, 486, 488, 496, 497,
358/498, 452, 449, 451, 453, 1.13, 494;
318/685, 696; 355/81, 75, 72, 40;
399/405, 367, 379, 380; 382/217;
715/209, 222, 226, 274; 400/613,
400/613.1-613.4, 690.1-690.4, 691-694
CPC H04N 1/00; H04N 1/12; H04N 1/00013;
H04N 1/00015; H04N 1/00018; H04N
1/00026; H04N 1/00557; H04N 1/00564;
H04N 1/0057; H04N 1/00572; H04N
1/00586; H04N 1/00588; H04N 1/00591;
H04N 1/00594; H04N 1/00596; H04N
1/00604; H04N 1/00519; H04N 1/00559;
H04N 1/101; H04N 1/10; H04N 1/00551;
H04N 1/00278; H04N 2201/0456; H04N
2201/0446; H04N 2201/00; H04N
2201/0094; G03G 15/0142; G03G
15/605; G03G 15/602; B65H 5/26; B65H

5/30; B65H 5/36; B65H 7/00; B65H
2402/515; B65H 2402/31; B65H 2511/20;
B65H 2511/414; B65H 2513/42; B65H
2801/31; B65H 2215/00189; B65H
2215/00194; B65H 2215/00198; B65H
2215/00202; B65H 2215/00206; B65H
2215/20; B65H 2301/00; B65H 2220/04;
B65H 3/5261

See application file for complete search history.

(56) **References Cited**

U.S. PATENT DOCUMENTS

D130,492 S * 11/1941 MacCowan D10/70
D261,661 S * 11/1981 Charland D18/36
D309,131 S * 7/1990 Horie D14/422
D328,594 S * 8/1992 Kobayashi D14/424
D350,733 S * 9/1994 Masujima D14/425
D385,859 S * 11/1997 Iimura D14/425

(Continued)

Primary Examiner — Susan Moon Lee

(74) *Attorney, Agent, or Firm* — The Jansson Firm; Pehr
B. Jansson

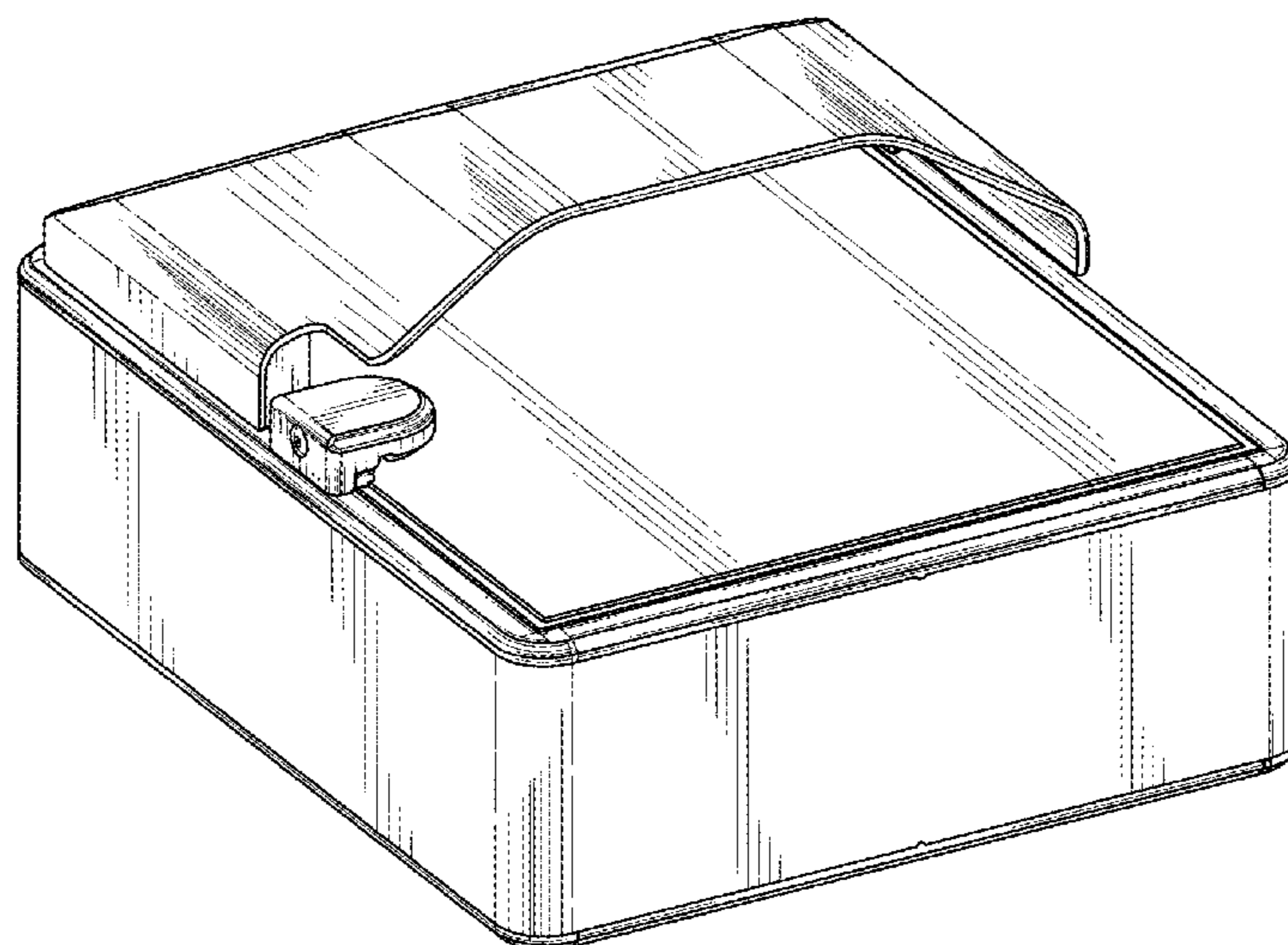
(57) **CLAIM**

The ornamental design for a document reader, as shown and
described.

DESCRIPTION

FIG. 1 is a perspective view showing the new design for a
document reader;
FIG. 2 is a front view thereof;
FIG. 3 is a rear view thereof;
FIG. 4 is a top view thereof;
FIG. 5 is a bottom view thereof;
FIG. 6 is a right side view thereof; and,
FIG. 7 is a left side view thereof.
The broken lines shown represent unclaimed features of the
document reader and form no part of the claimed design.

1 Claim, 4 Drawing Sheets



(56)

References Cited

U.S. PATENT DOCUMENTS

D403,697 S * 1/1999 Baba D18/49
D404,421 S * 1/1999 Takeuchi D18/49
D414,753 S * 10/1999 Inukai D14/424
D415,127 S * 10/1999 Ueda D14/425
D415,477 S * 10/1999 Inukai D14/453
D421,425 S * 3/2000 Yamano D14/425
D450,052 S * 11/2001 Khovaylo D14/425
D478,082 S * 8/2003 Khovaylo D14/425
D528,154 S * 9/2006 Hattori D18/54
D591,302 S * 4/2009 Yagi D14/421
D614,234 S * 4/2010 Ishikawa D18/55
D626,557 S * 11/2010 Lee D14/425
D669,079 S * 10/2012 Hansen D14/420
D669,473 S * 10/2012 Gronau D14/420
8,453,930 B2 * 6/2013 Mukawa G03B 27/54
235/454
D716,816 S * 11/2014 Hatzav D14/421
9,591,159 B1 * 3/2017 Butt H04N 1/00787
2008/0237429 A1 * 10/2008 Lam H04N 1/00519
248/351

* cited by examiner

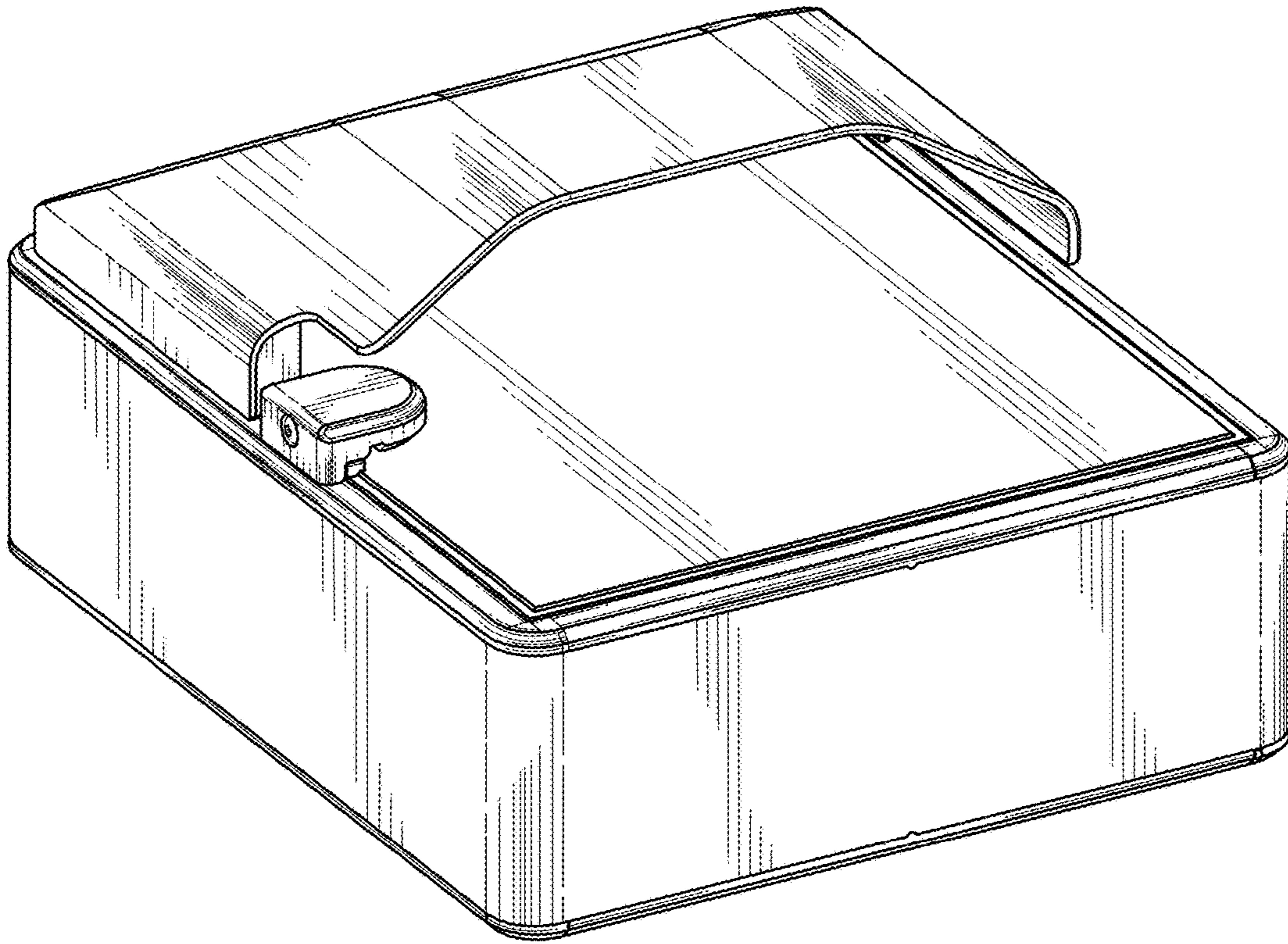


FIG. 1

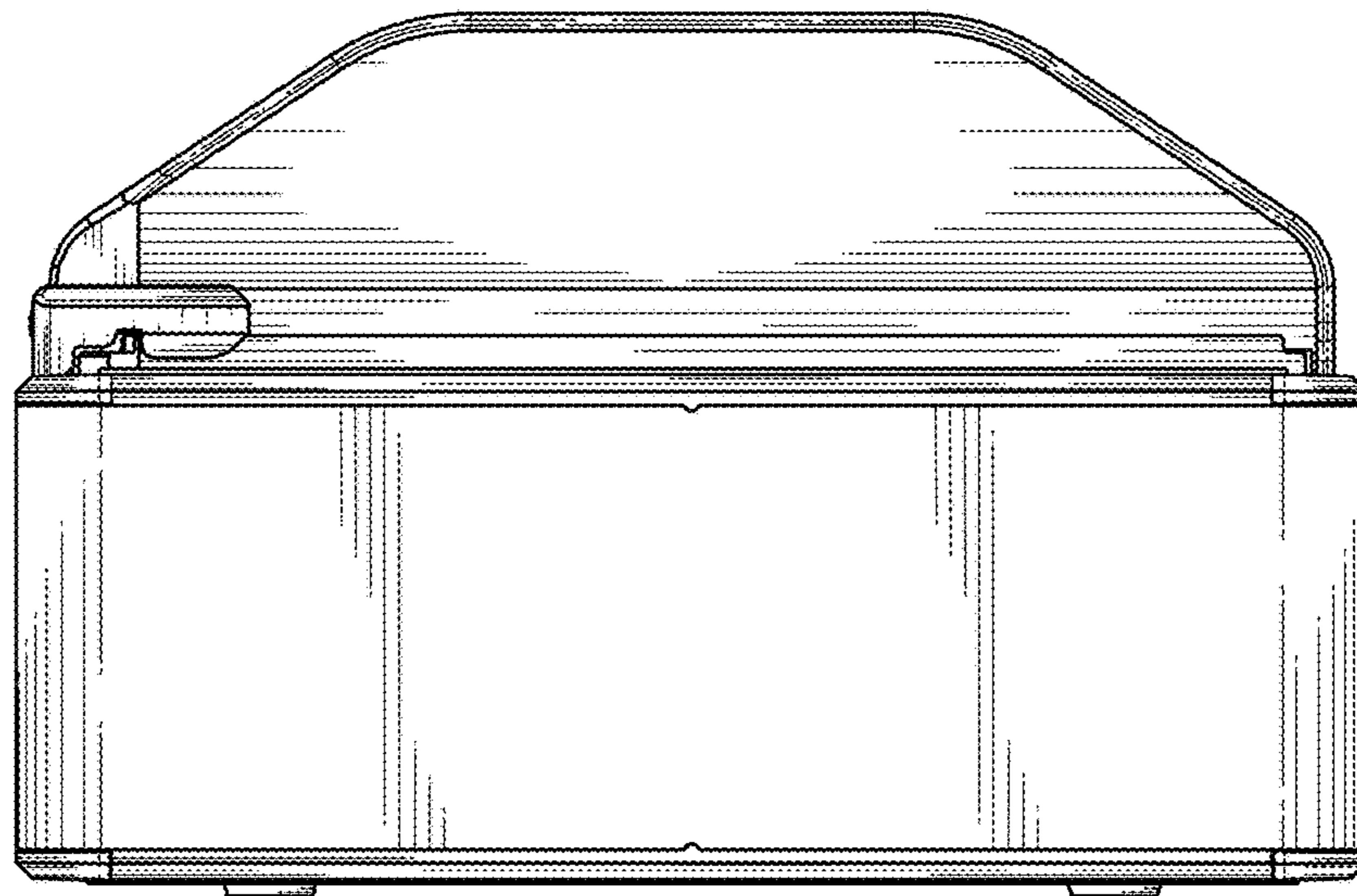


FIG. 2

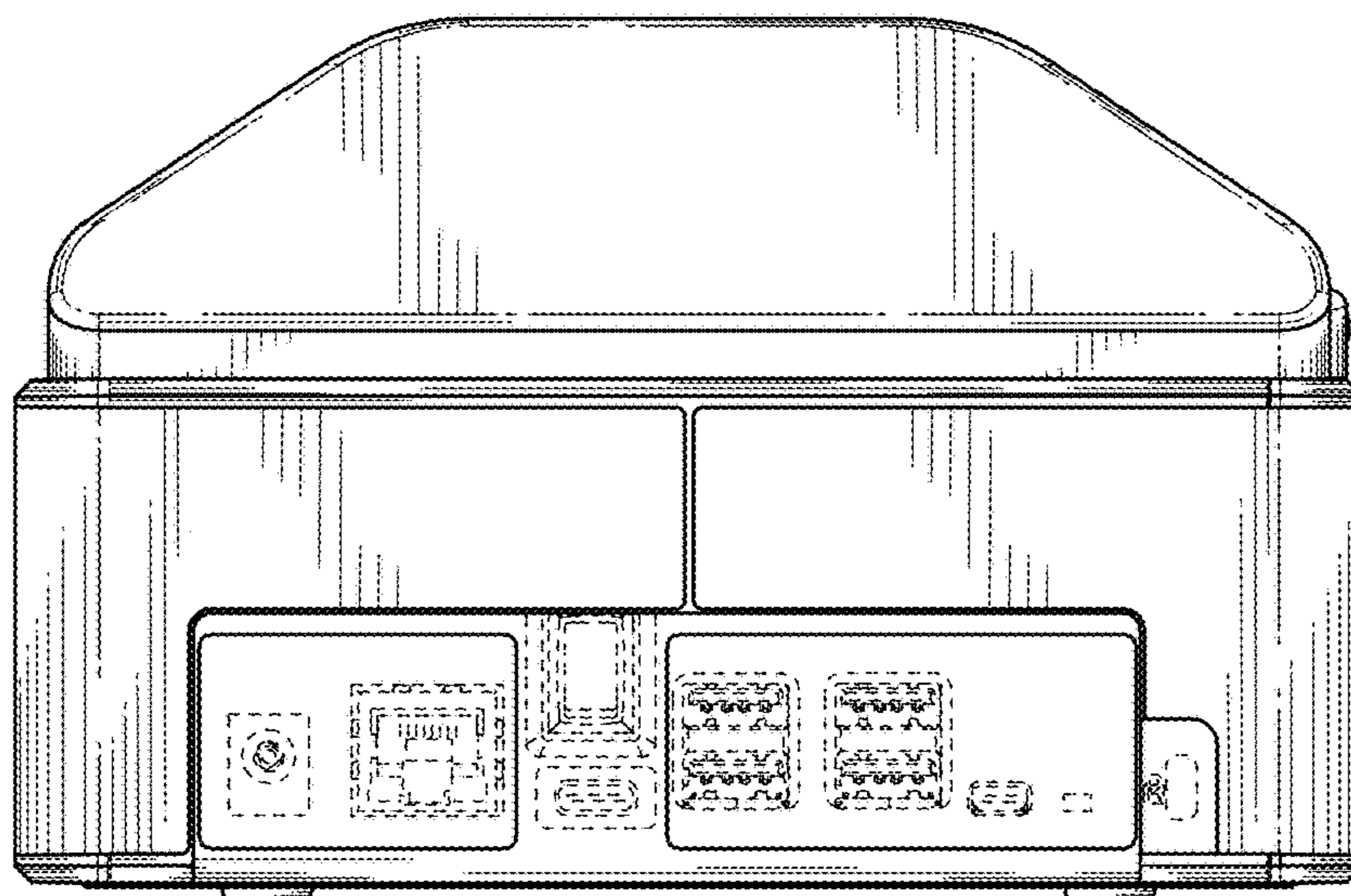


FIG. 3

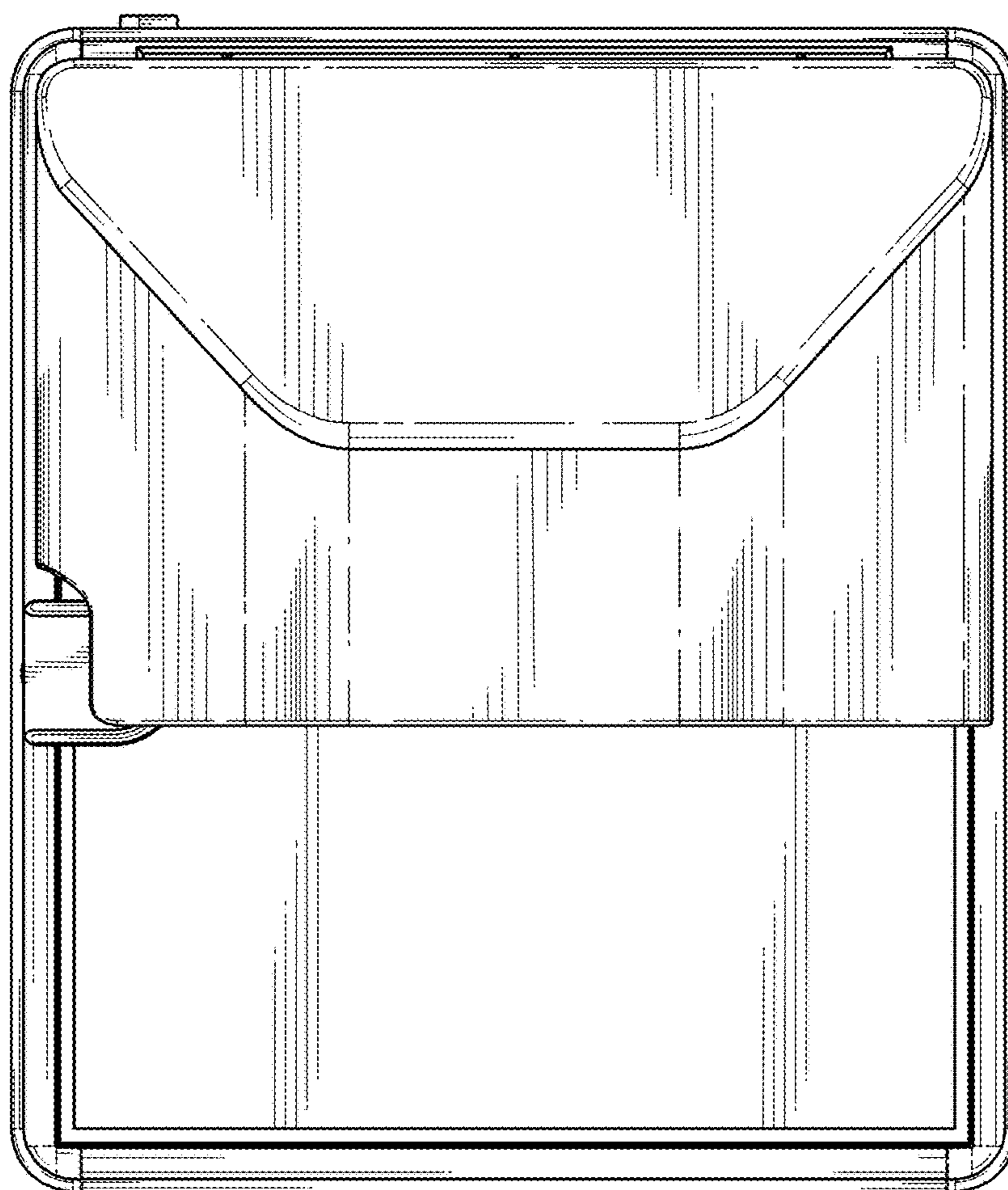


FIG. 4

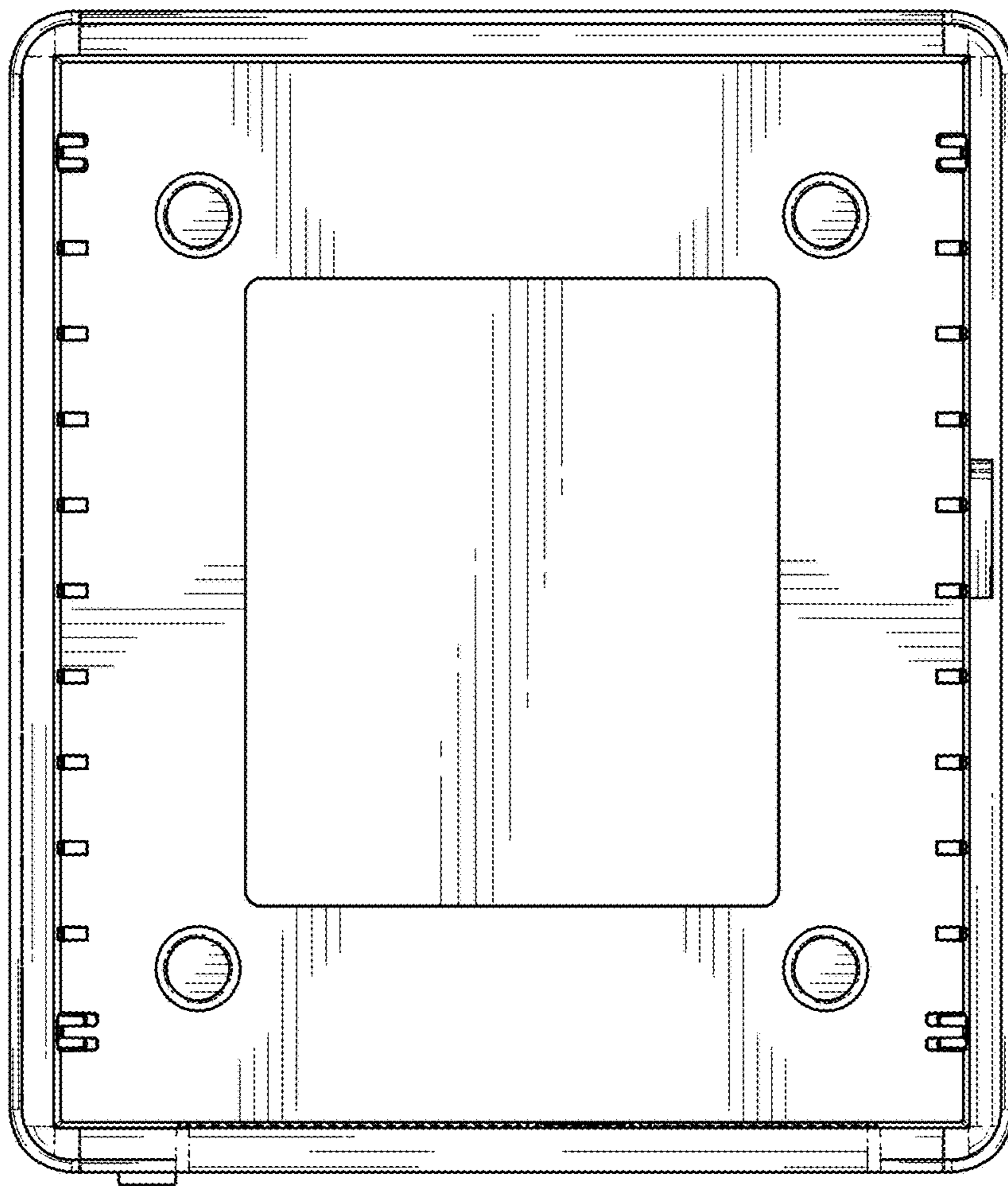


FIG. 5

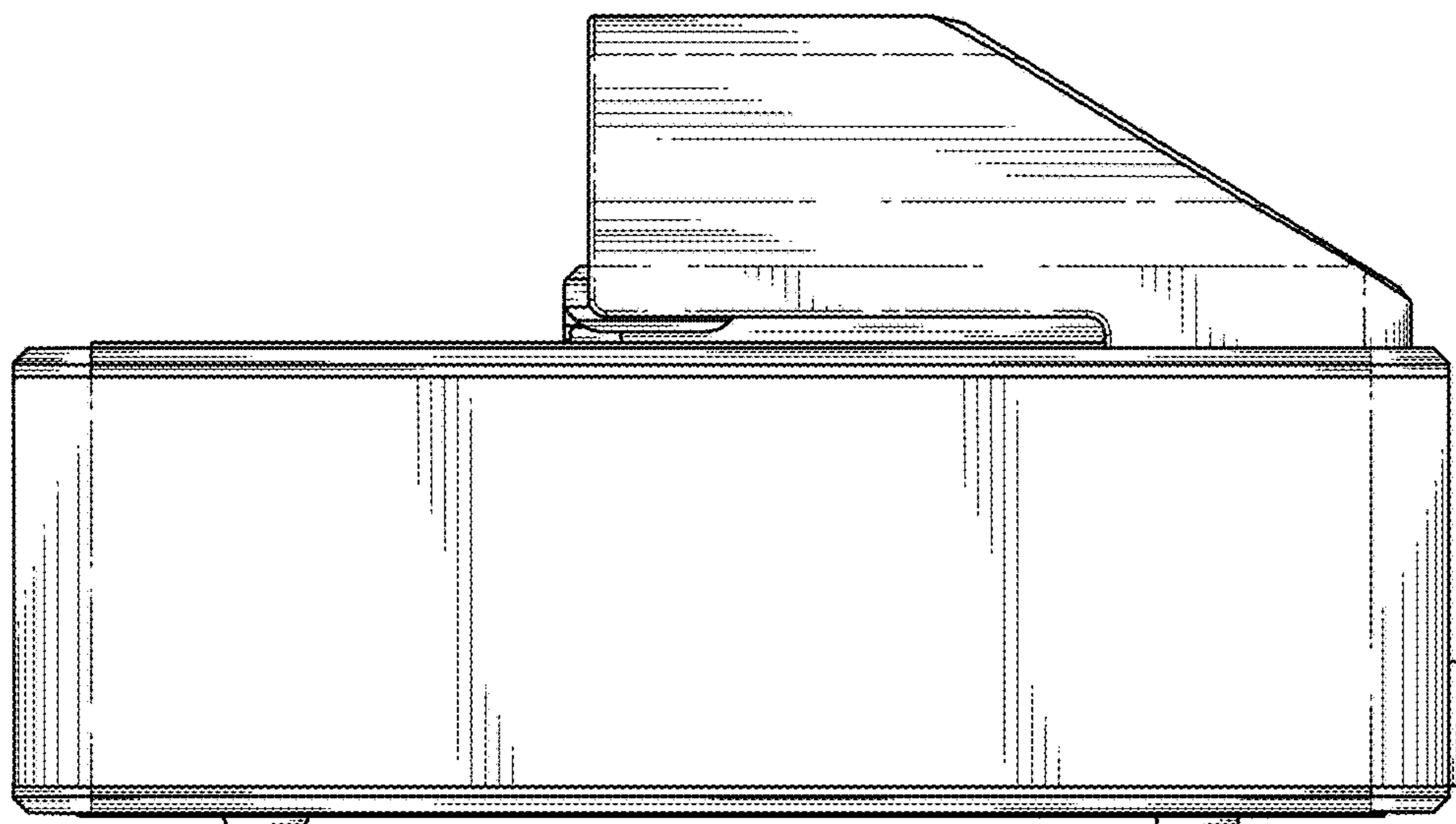


FIG. 6

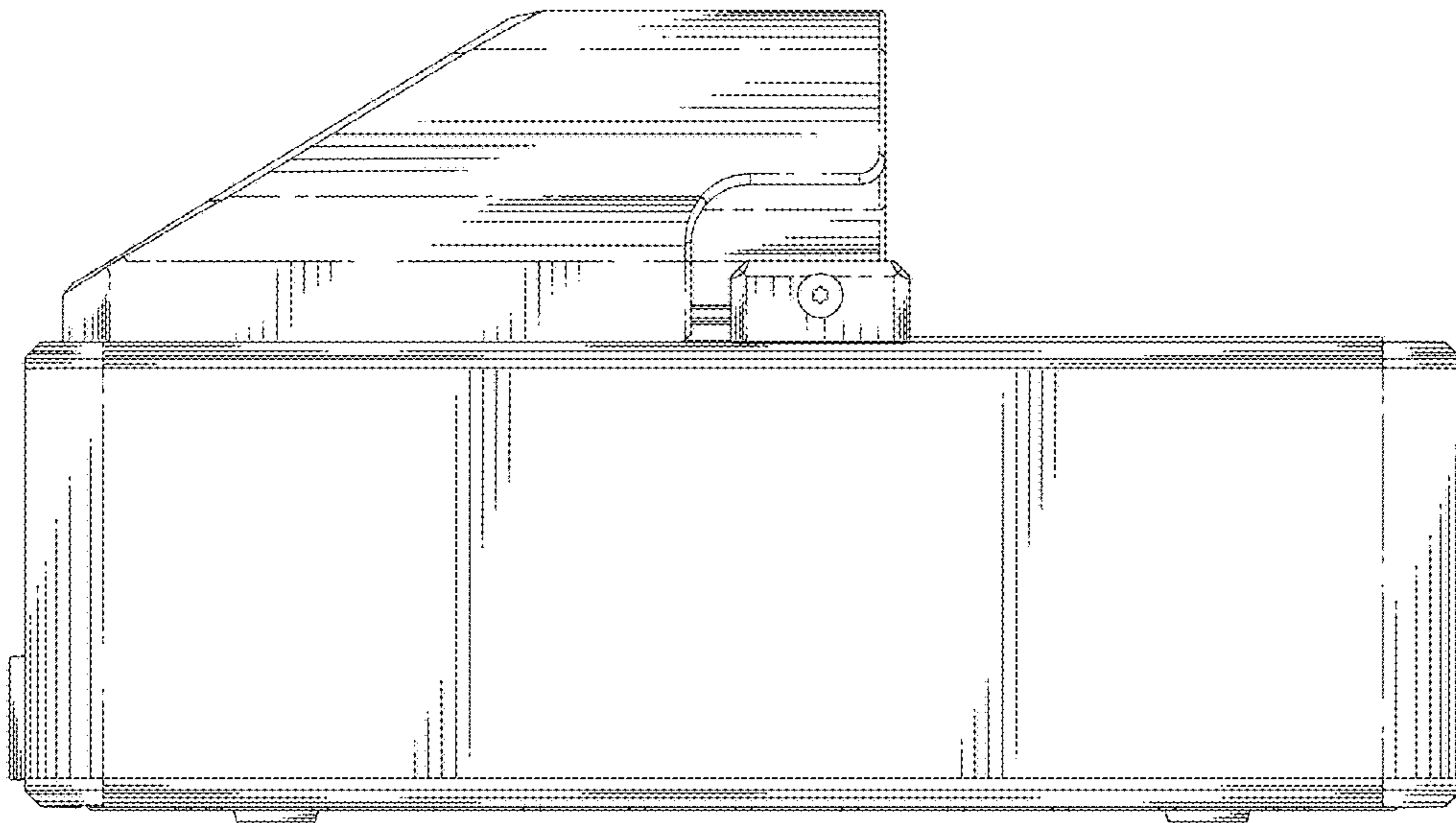


FIG. 7