

US00D821398S

(12) **United States Design Patent** (10) **Patent No.:** **US D821,398 S**
Karlsson et al. (45) **Date of Patent:** **** Jun. 26, 2018**

(54) **CARD READER**

(71) Applicant: **IZETTLER MERCHANT SERVICES AB**, Stockholm (SE)

(72) Inventors: **Oscar Karlsson**, Skarpnäck (SE); **Nino Höglund**, Stockholm (SE); **Gustav Müller Nord**, Nacka (SE)

(73) Assignee: **iZettle Merchant Services AB**, Stockholm (SE)

(**) Term: **15 Years**

(21) Appl. No.: **35/501,652**

(22) Filed: **Apr. 22, 2016**

(80) **Hague Agreement Data**

Int. Filing Date: **Apr. 22, 2016**

Int. Reg. No.: **DM/092591**

Int. Reg. Date: **Apr. 22, 2016**

Int. Reg. Pub. Date: **Sep. 30, 2016**

(51) **LOC (11) Cl.** **14-02**

(52) **U.S. Cl.**

USPC **D14/387**

(58) **Field of Classification Search**

USPC D14/358, 383, 385, 387, 421, 435

CPC G06K 7/084; G06K 7/087; G06K 7/0004;

G06K 7/01; G06K 7/0021; G06K 7/0056;

G06K 7/082; G06K 7/0069; G06K 7/006;

G06K 7/0073; G06Q 20/204; G06Q

20/4012; B66B 2201/4676

See application file for complete search history.

(56) **References Cited**

U.S. PATENT DOCUMENTS

D736,208 S 8/2015 Gustafsson

OTHER PUBLICATIONS

Spire SPm2 Bluetooth Pin pad product datasheet (published prior to Apr. 22, 2016).

Decs BluePad-50 Bluetooth enabled mobile payment solution (published prior to Apr. 22, 2016).

Primary Examiner — Manpreet S Matharu

Assistant Examiner — Eliza Z Bennett-Hattan

(74) *Attorney, Agent, or Firm* — Marshall, Gerstein & Borun LLP

(57) **CLAIM**

The ornamental design for a card reader, as shown and described.

DESCRIPTION

1. Card reader

1.1 : Perspective

1.2 : Front

1.3 : Back

1.4 : Right

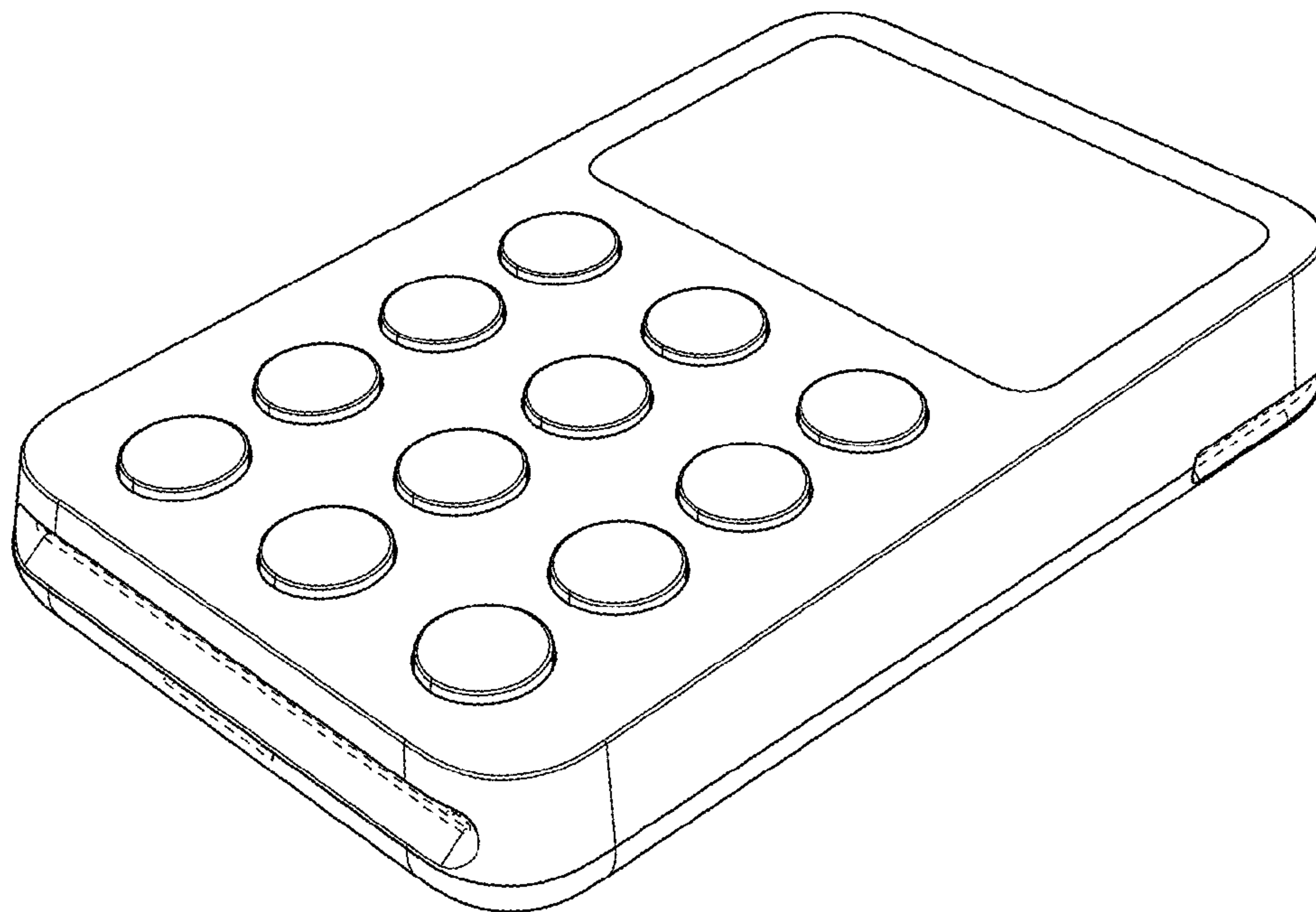
1.5 : Left

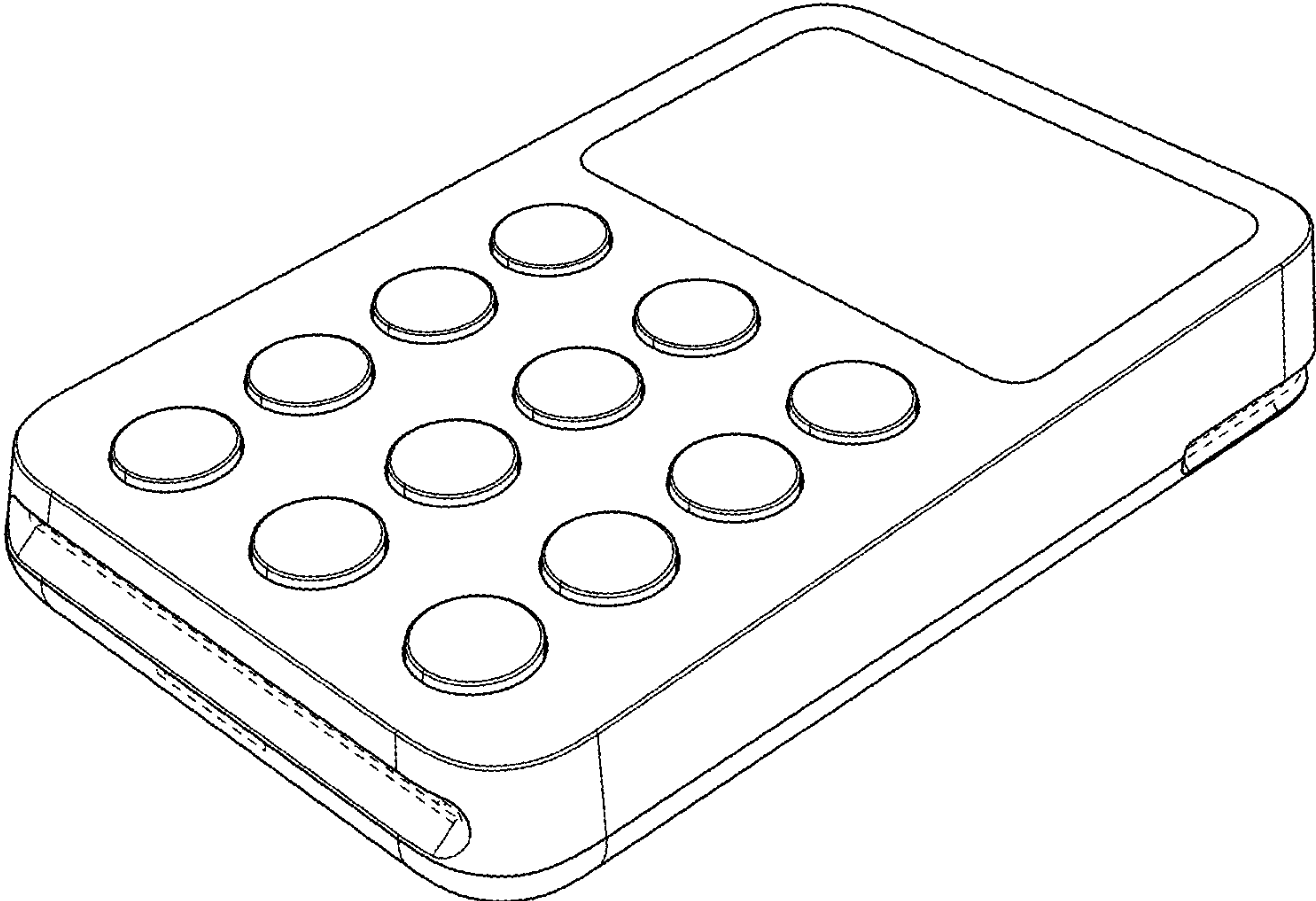
1.6 : Bottom

1.7 : Top

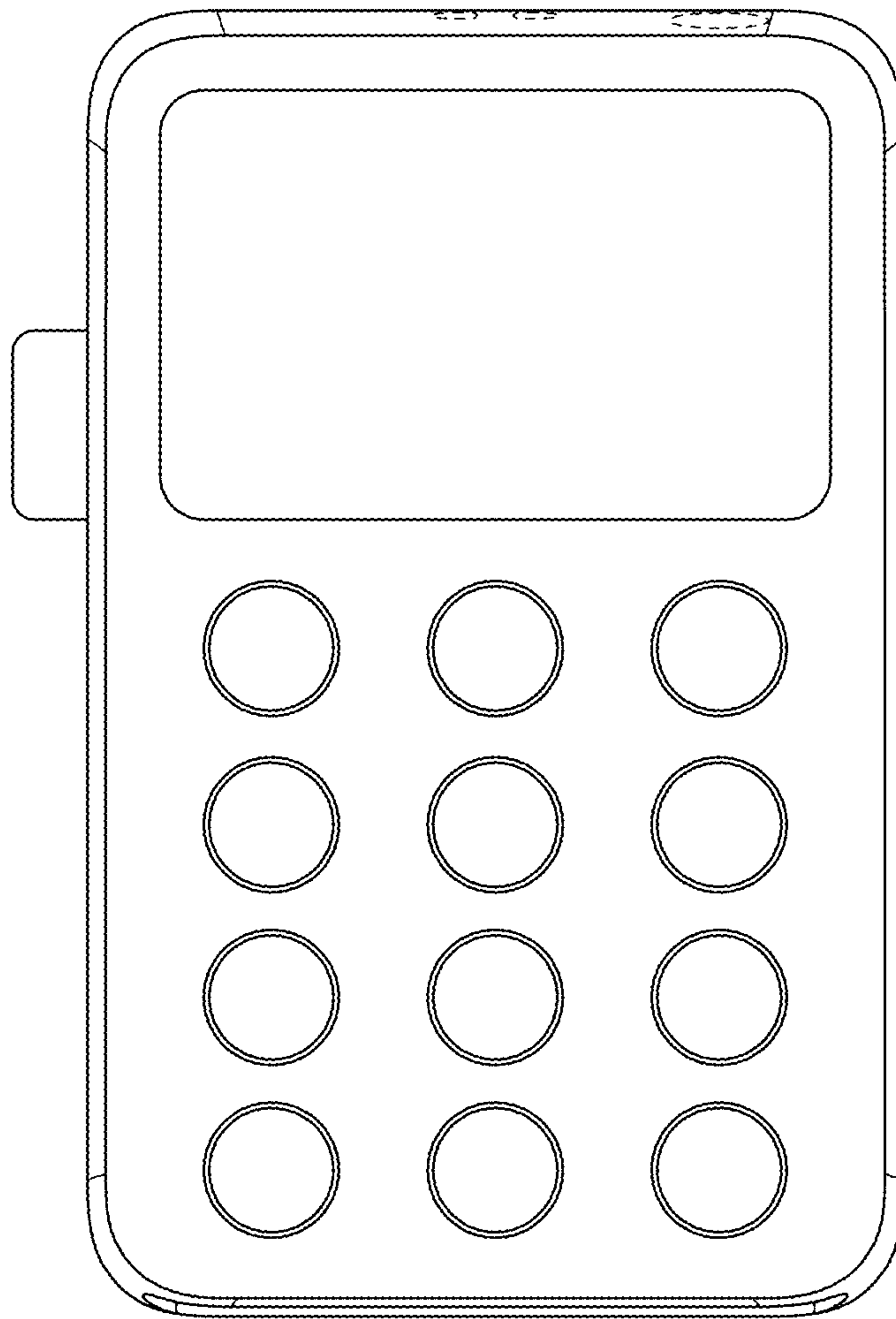
The broken lines in the drawing depict the boundary of the claim. No claim is made to the area inside the broken line disclosure.

1 Claim, 7 Drawing Sheets

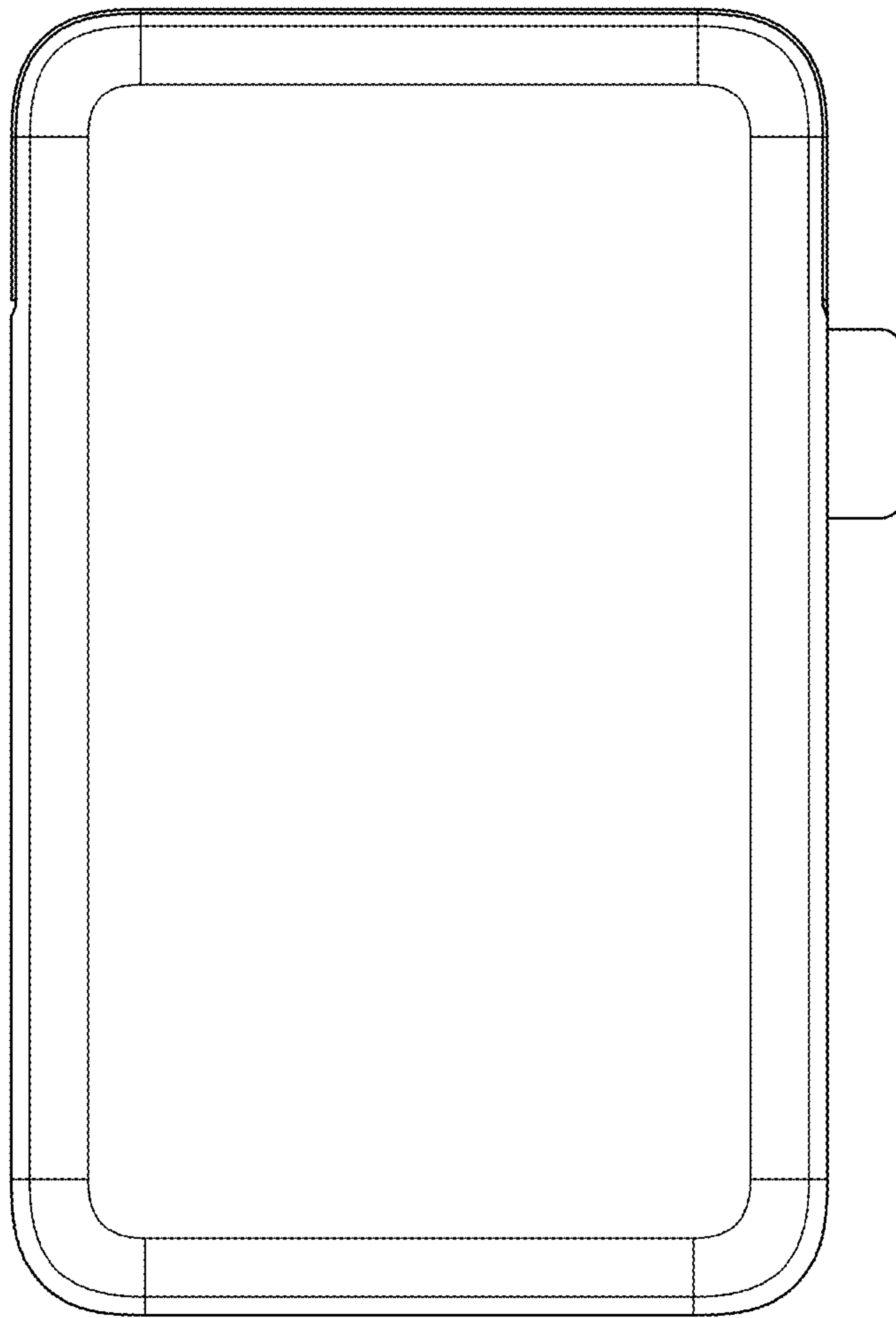




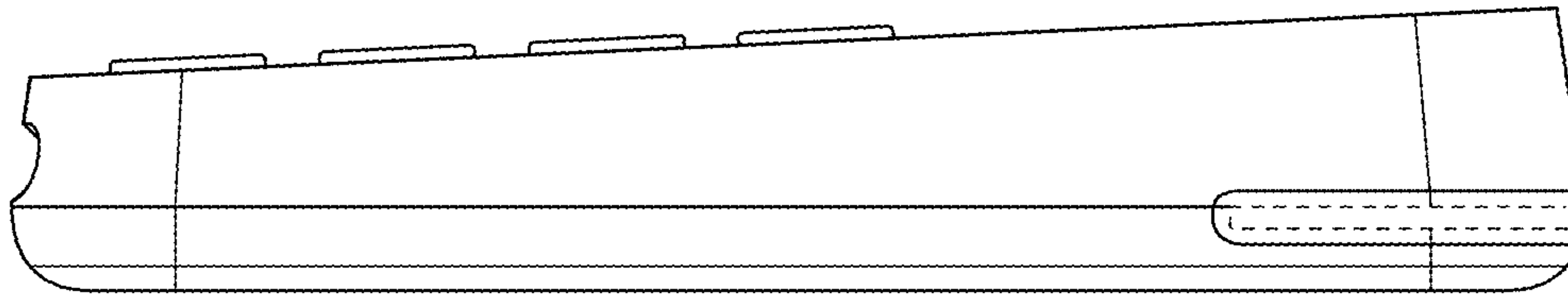
1.1



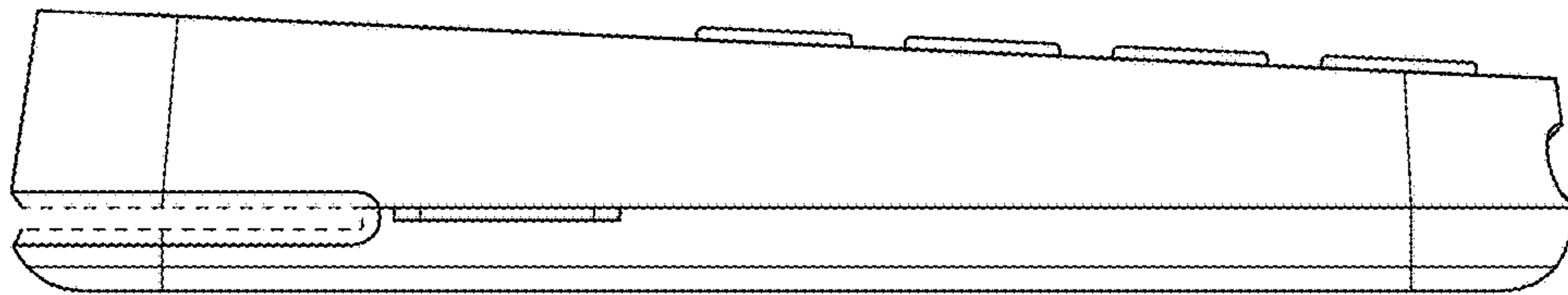
1.2



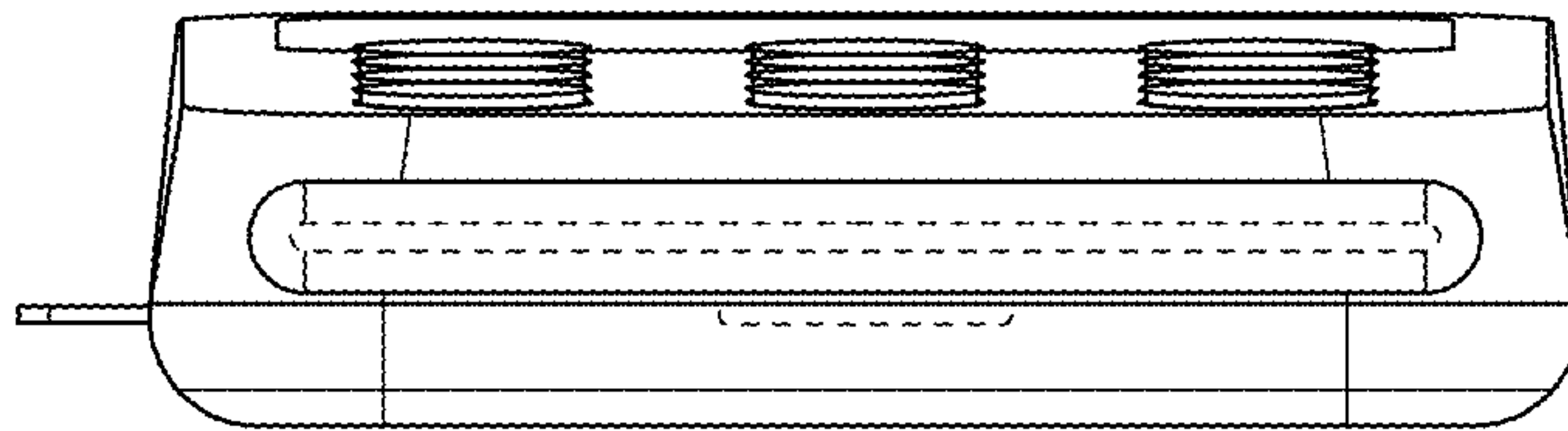
1.3



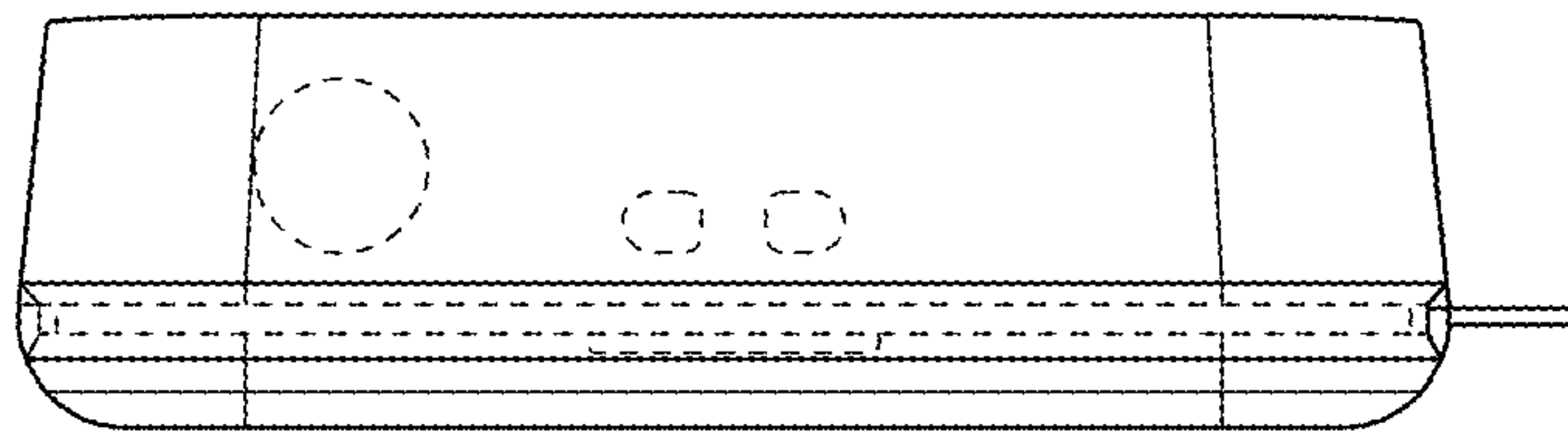
1.4



1.5



1.6



1.7