



US00D821397S

(12) **United States Design Patent** (10) **Patent No.:** **US D821,397 S**  
**Crnkovich et al.** (45) **Date of Patent:** **\*\* Jun. 26, 2018**

(54) **CARD READER**  
(71) Applicant: **Fresenius Medical Care Holdings, Inc.**, Waltham, MA (US)  
(72) Inventors: **Martin Joseph Crnkovich**, Concord, CA (US); **Colin Weaver**, Pleasanton, CA (US)  
(73) Assignee: **Fresenius Medical Care Holdings, Inc.**, Waltham, MA (US)  
(\*\*) Term: **15 Years**  
(21) Appl. No.: **29/590,565**  
(22) Filed: **Jan. 11, 2017**  
(51) **LOC (11) Cl.** ..... **14-02**  
(52) **U.S. Cl.**  
USPC ..... **D14/385**; D14/432  
(58) **Field of Classification Search**  
USPC ..... D8/61; D14/432, 385; D19/54–58;  
401/55, 99, 100, 104–107, 196, 197, 202,  
401/208, 209, 213, 192, 195, 243;  
708/107; 345/179, 173; 178/19.01;  
700/94  
CPC .... G06Q 20/347; G06Q 20/322; G06Q 40/02;  
G06Q 30/06; G07F 7/0886  
See application file for complete search history.

D730,160 S \* 5/2015 Rothbaum ..... D8/356  
D766,711 S \* 9/2016 Babbage ..... D8/394  
D780,761 S \* 3/2017 Bouchard ..... D14/411  
D781,685 S \* 3/2017 Rothbaum ..... D8/356  
D781,686 S \* 3/2017 Rothbaum ..... D8/356  
D782,286 S \* 3/2017 Rothbaum ..... D8/356  
2016/0123525 A1 \* 5/2016 Nguyen ..... A45F 5/00  
248/534

**OTHER PUBLICATIONS**

“UniDataLink: Instructions for Use,” Fresenius Medical Care, Edition 8A-2016, Part No. F40003660, 66 pages.  
“5008 Hemodialysis system: Operation Instructions,” Fresenius Medical Care, Edition 10/08.13, Part No. M518941, 382 pages.

\* cited by examiner

*Primary Examiner* — Austin Murphy

(74) *Attorney, Agent, or Firm* — Fish & Richardson P.C.

(57) **CLAIM**

The ornamental design for a card reader, substantially as shown and described.

**DESCRIPTION**

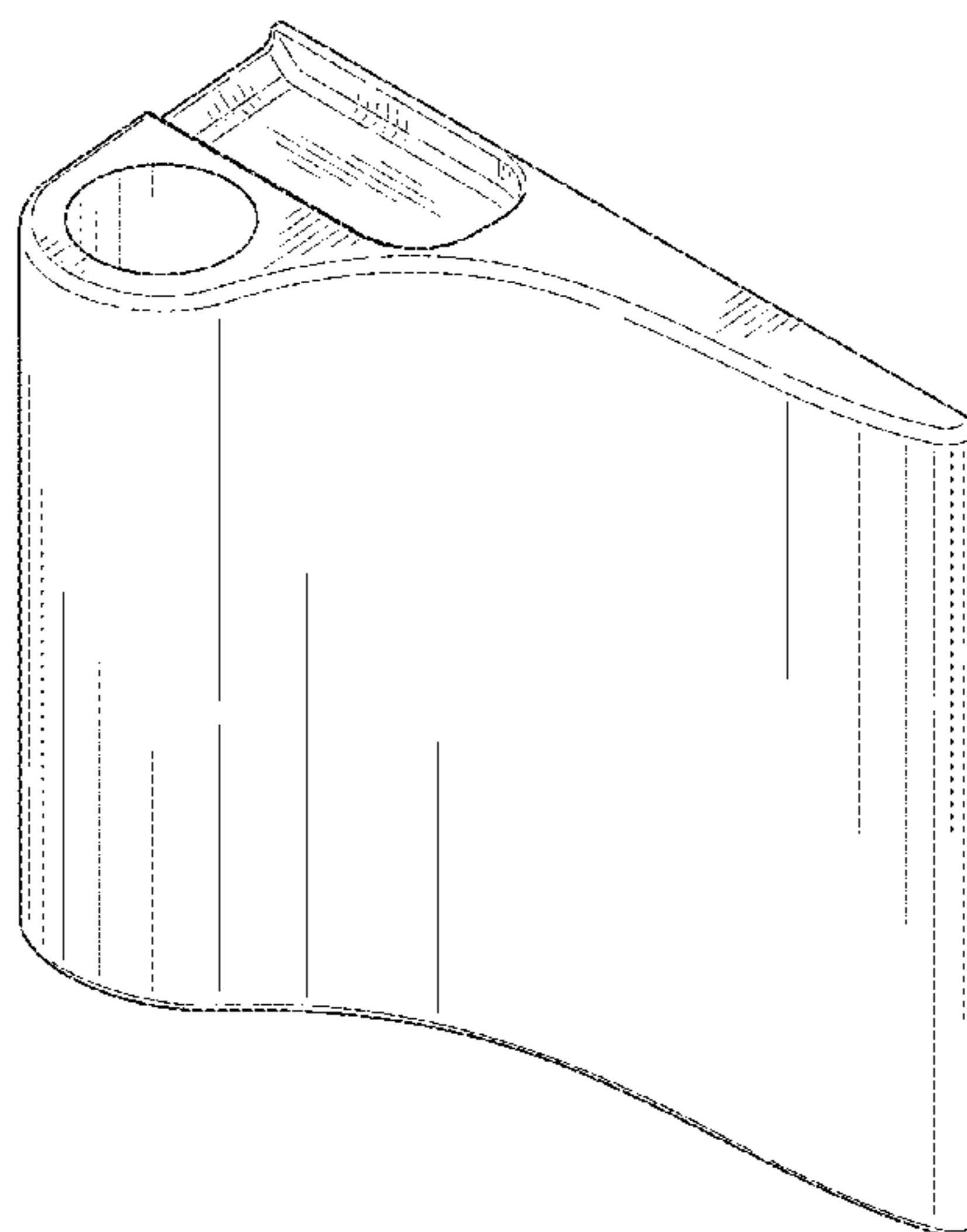
FIG. 1 is a perspective view of the card reader.  
FIG. 2 is a front view thereof.  
FIG. 3 is a back view thereof.  
FIG. 4 is right side view thereof.  
FIG. 5 is left side view thereof.  
FIG. 6 is top view thereof.  
FIG. 7 is bottom view thereof.  
FIG. 8 is a perspective view of the card reader attached to a dialysis machine and attached to a pole to support an intravenous (IV) fluid container. The dialysis machine is shown in dashed lines as a representation of environment and is not an element of the claimed design.  
FIG. 9 is a right side view thereof; and,  
FIG. 10 is a top view thereof.

**1 Claim, 6 Drawing Sheets**

(56) **References Cited**

**U.S. PATENT DOCUMENTS**

1,324,308 A \* 12/1919 Crossan ..... B43K 23/001  
24/11 CT  
D201,479 S \* 6/1965 Green ..... D11/95  
D598,052 S \* 8/2009 Esfahani ..... D19/81  
D603,904 S \* 11/2009 Esfahani ..... D19/81  
D620,981 S \* 8/2010 Sturken ..... D19/81  
D641,994 S \* 7/2011 Huang ..... D6/678.3  
D695,098 S \* 12/2013 Hobson ..... D8/395  
D700,909 S \* 3/2014 Bowser ..... D14/411  
D723,036 S \* 2/2015 Longo ..... D14/411



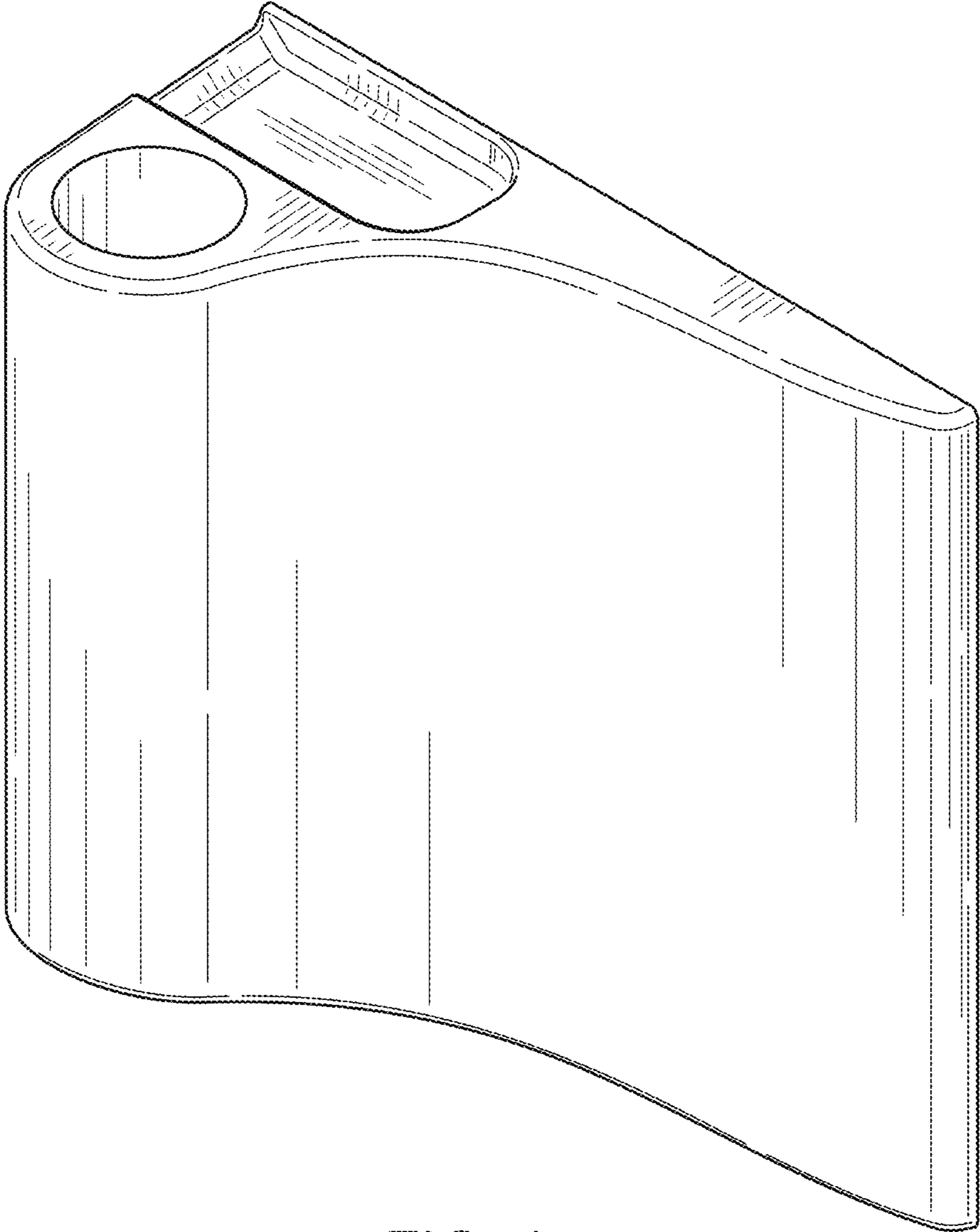


FIG. 1

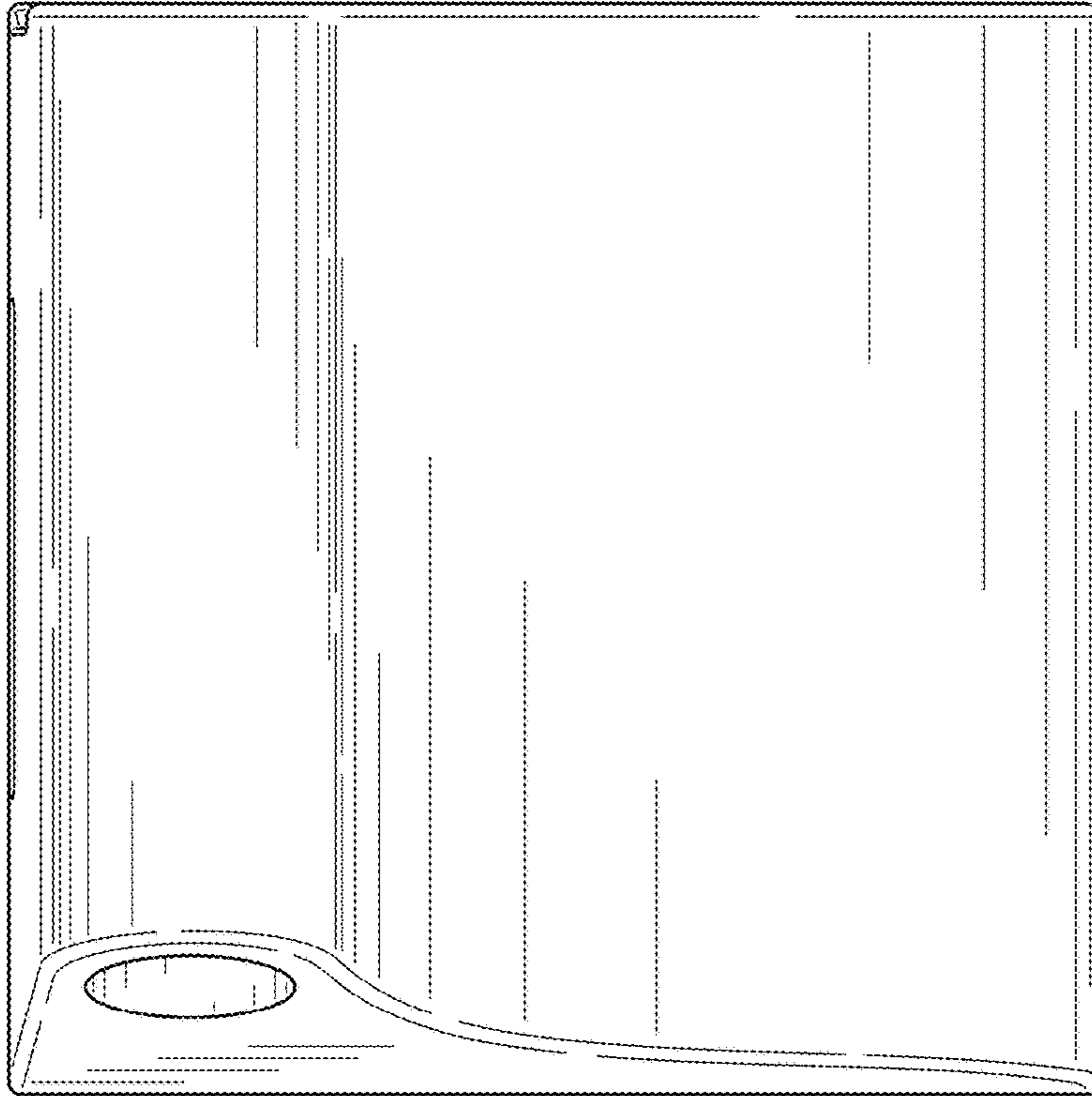


FIG. 2

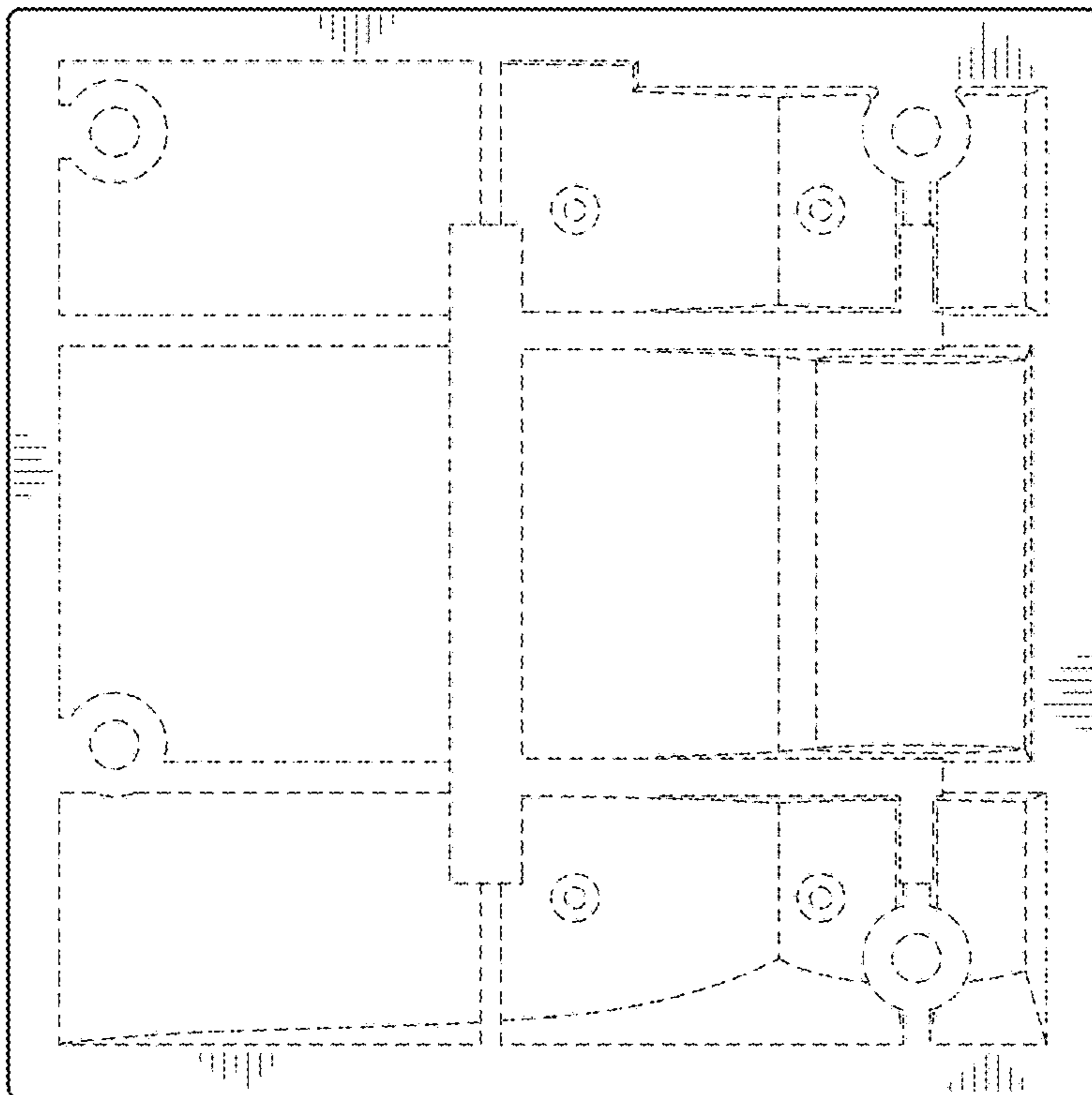


FIG. 3

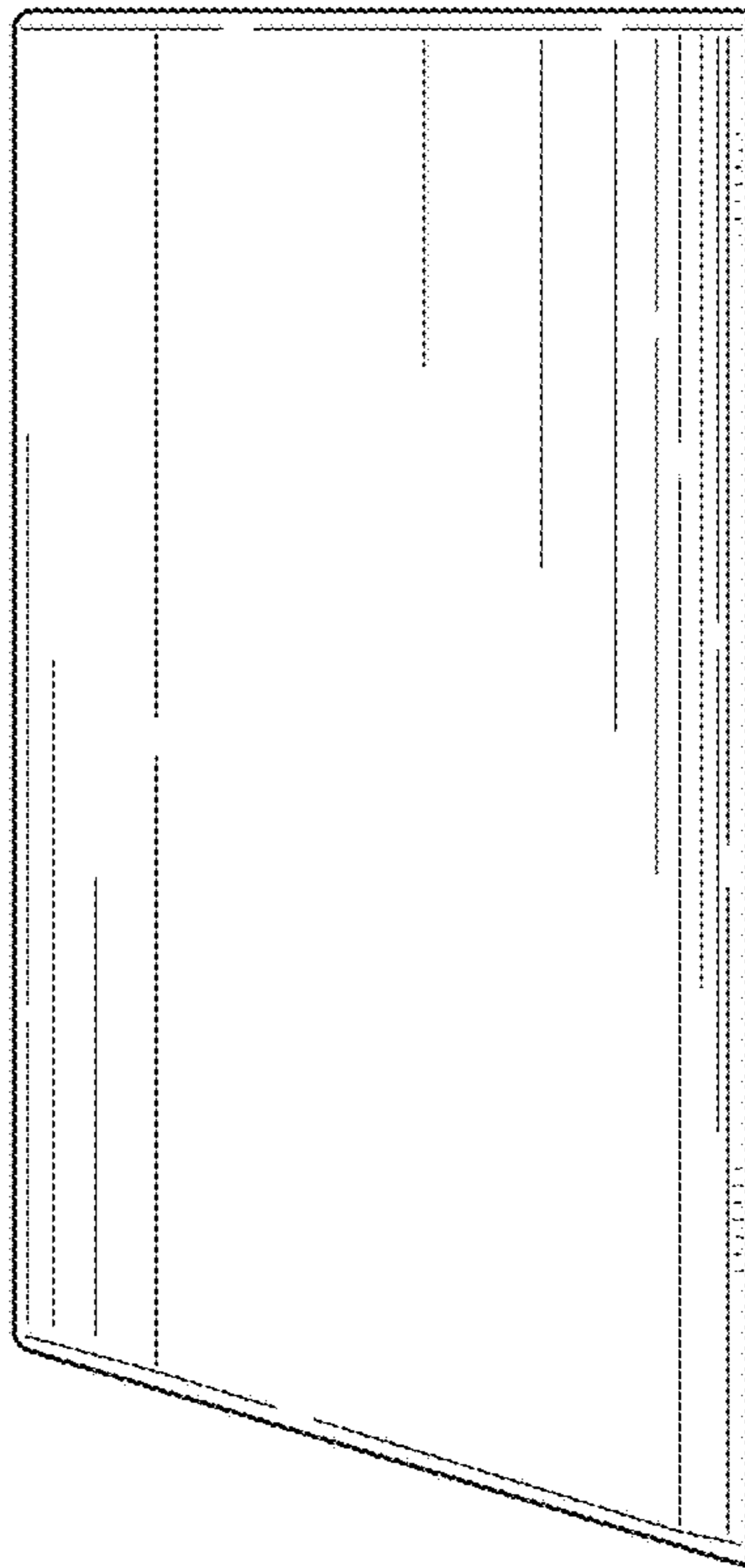


FIG. 4

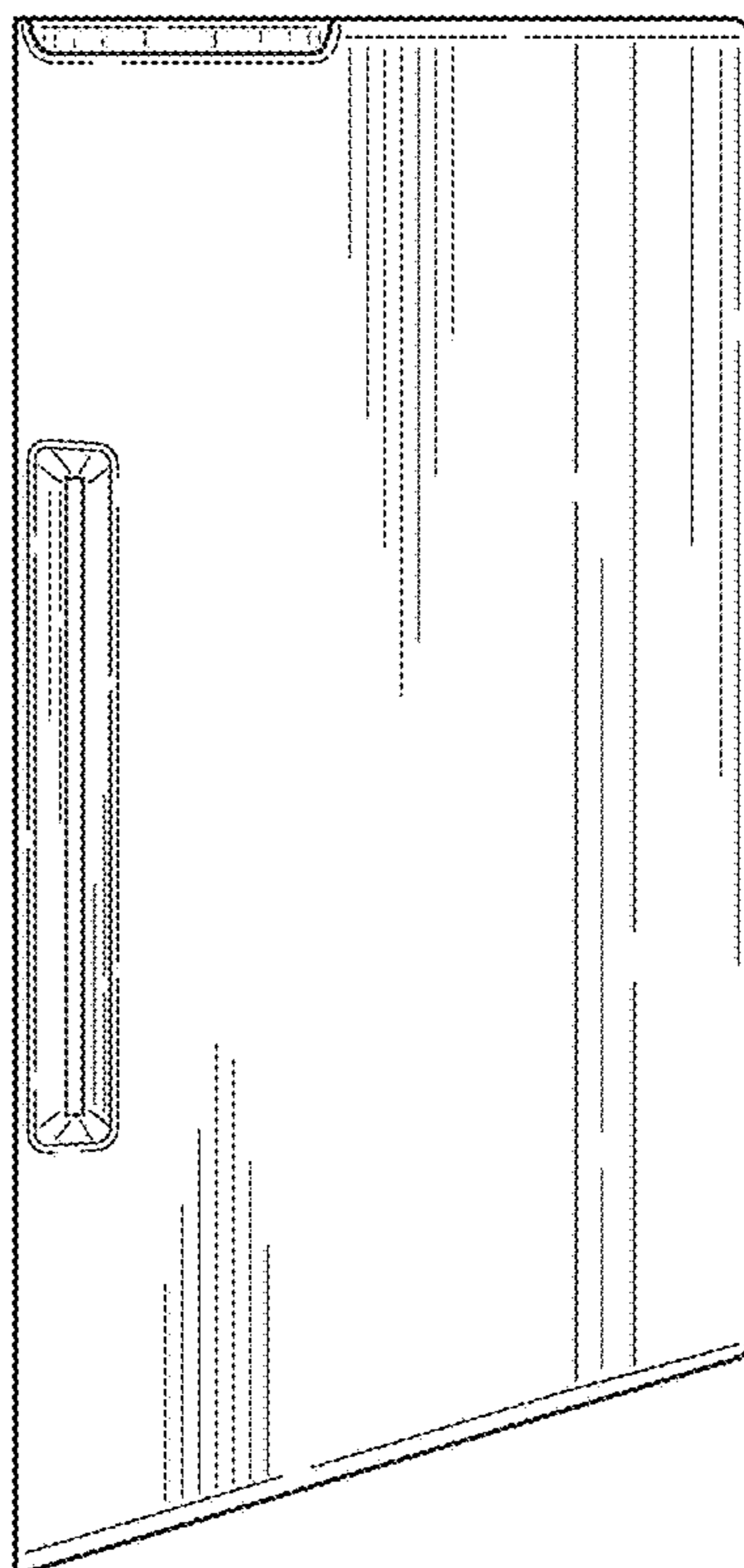


FIG. 5

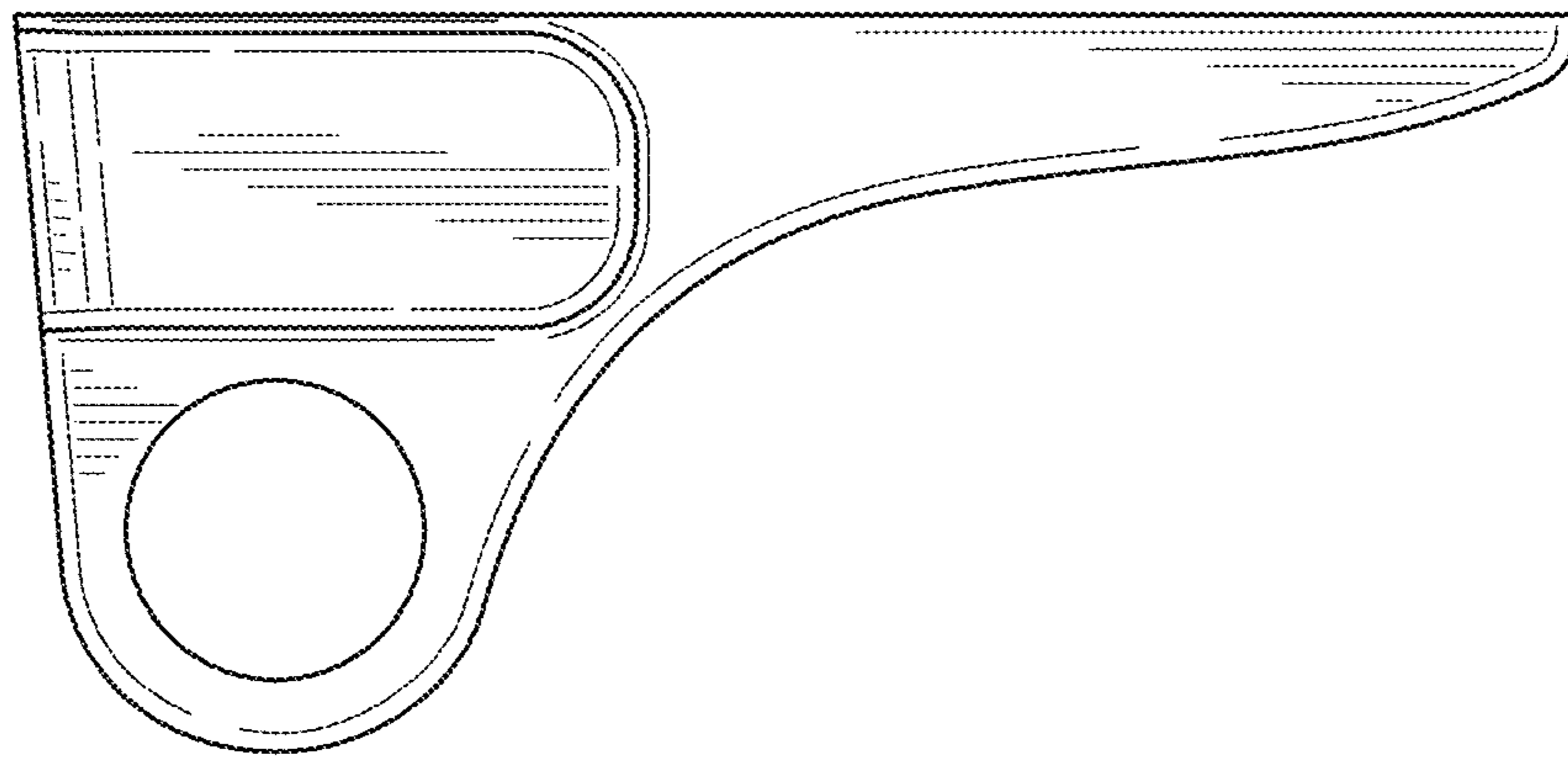


FIG. 6

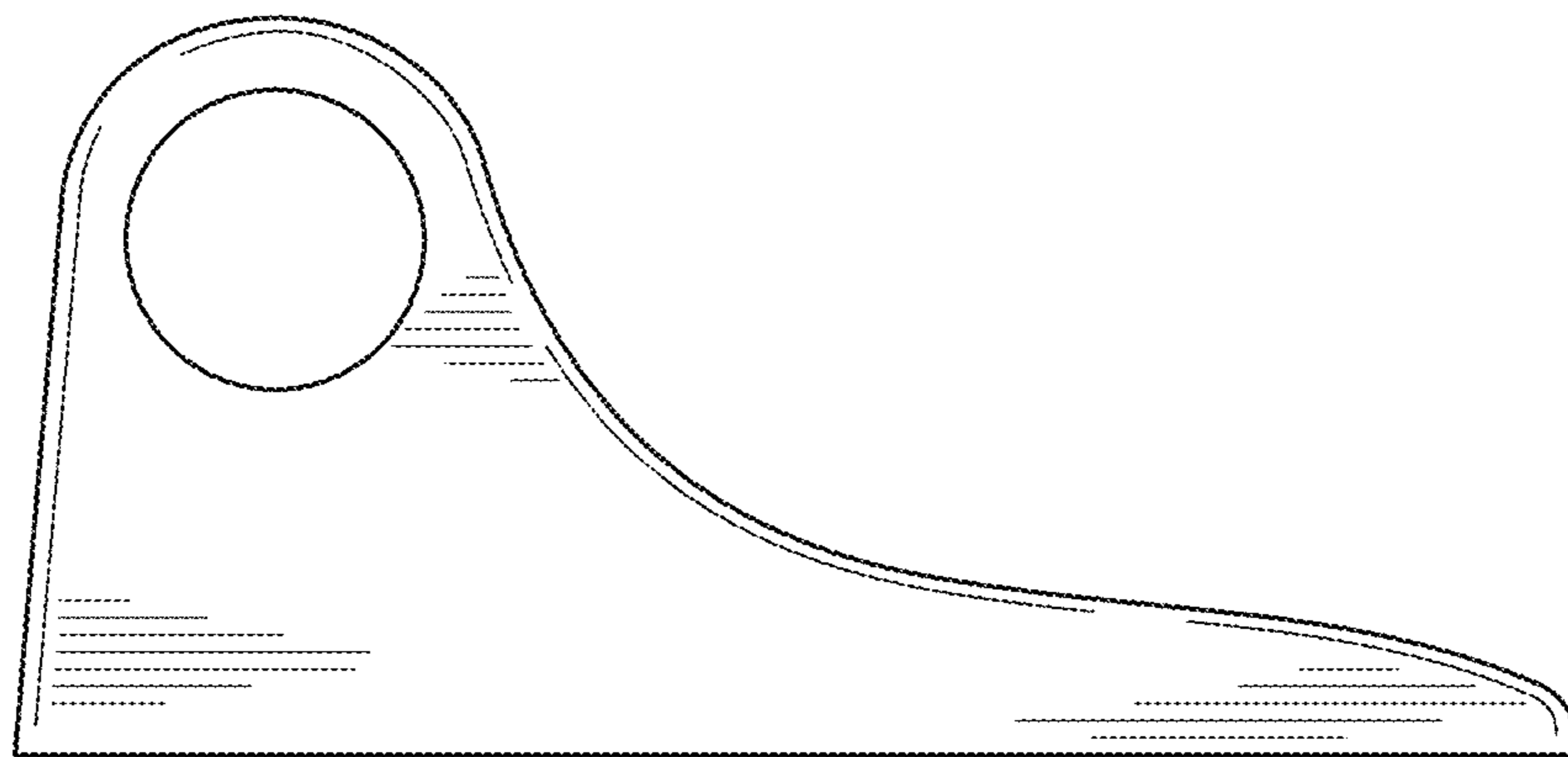


FIG. 7

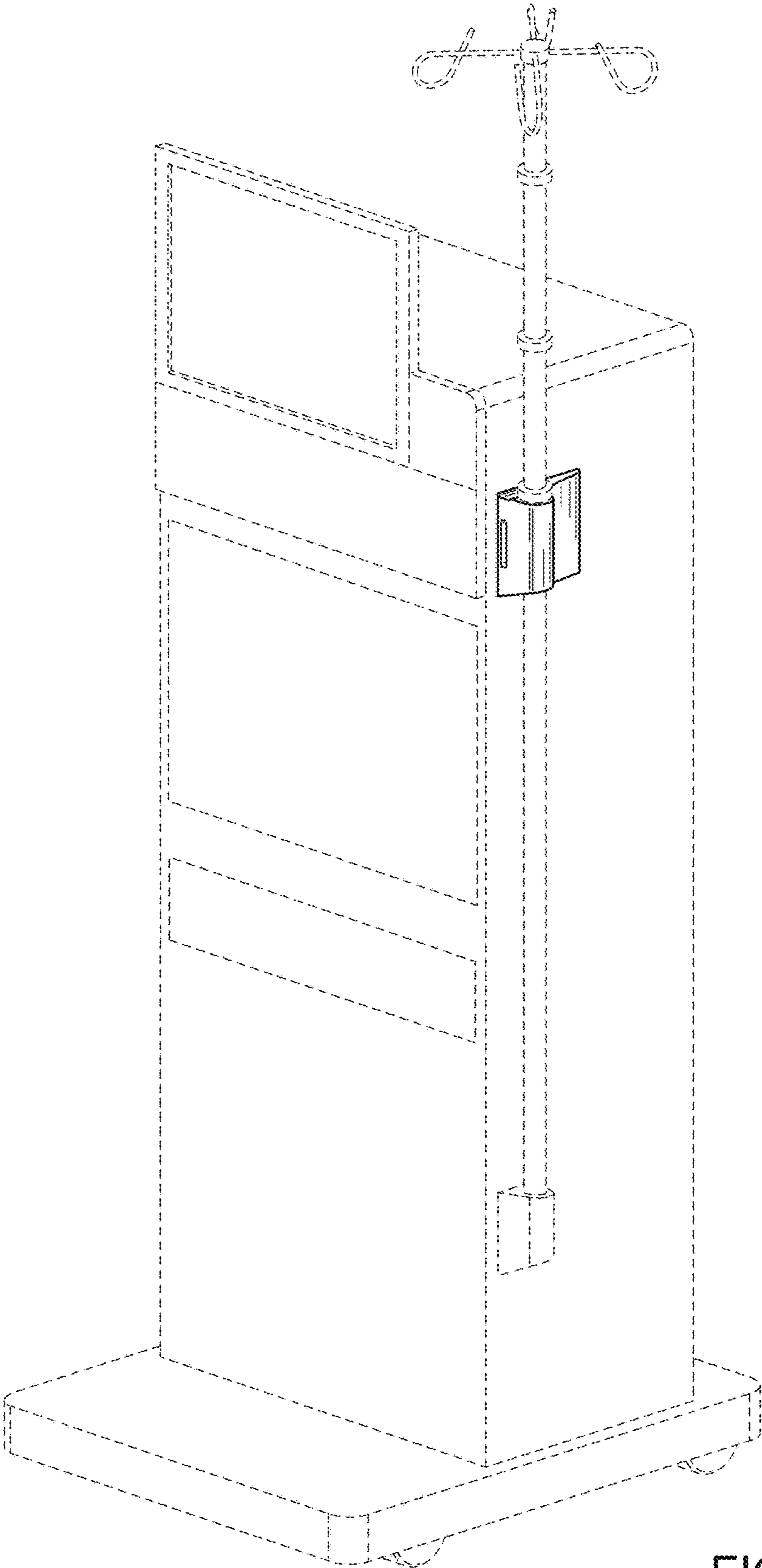


FIG. 8

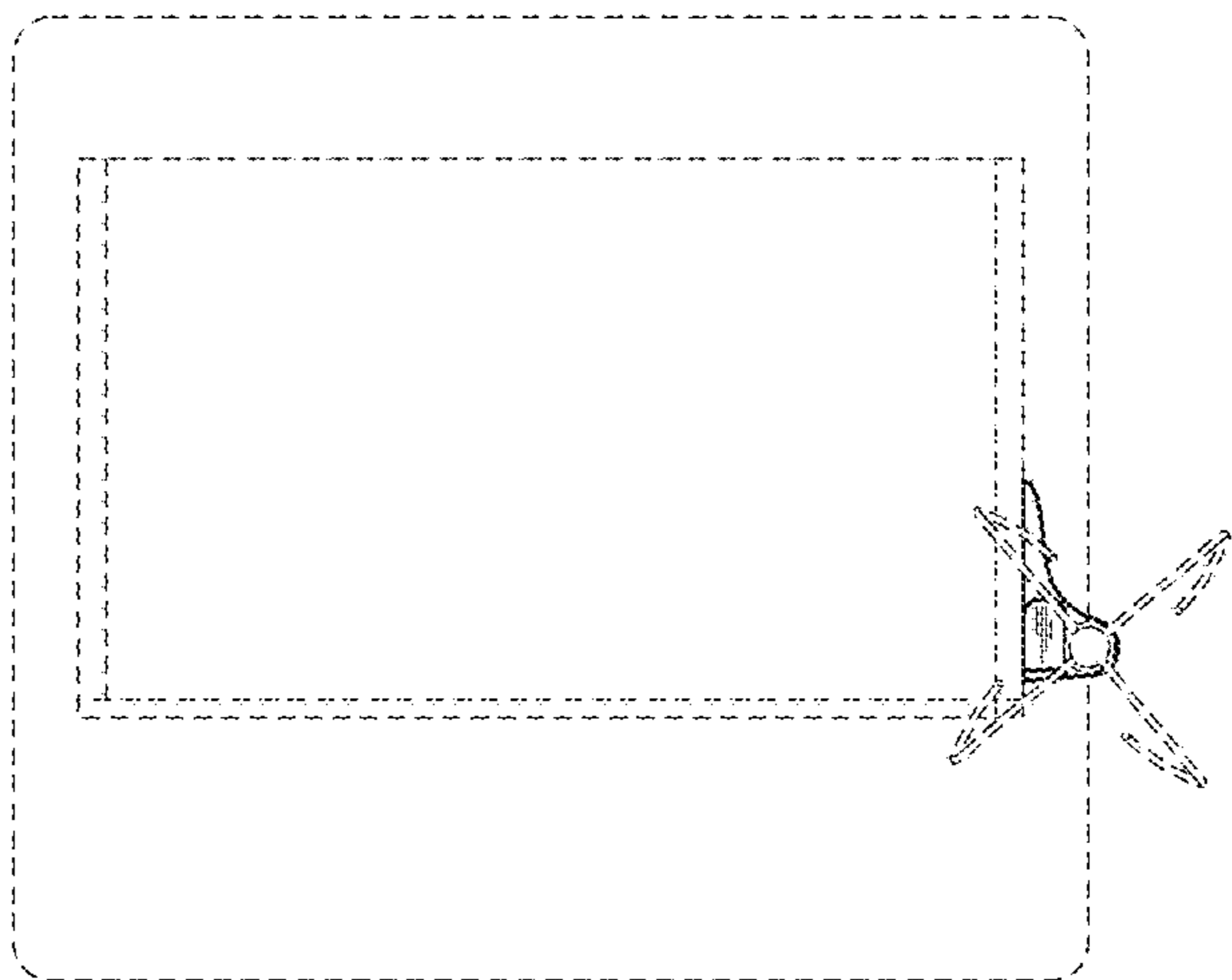
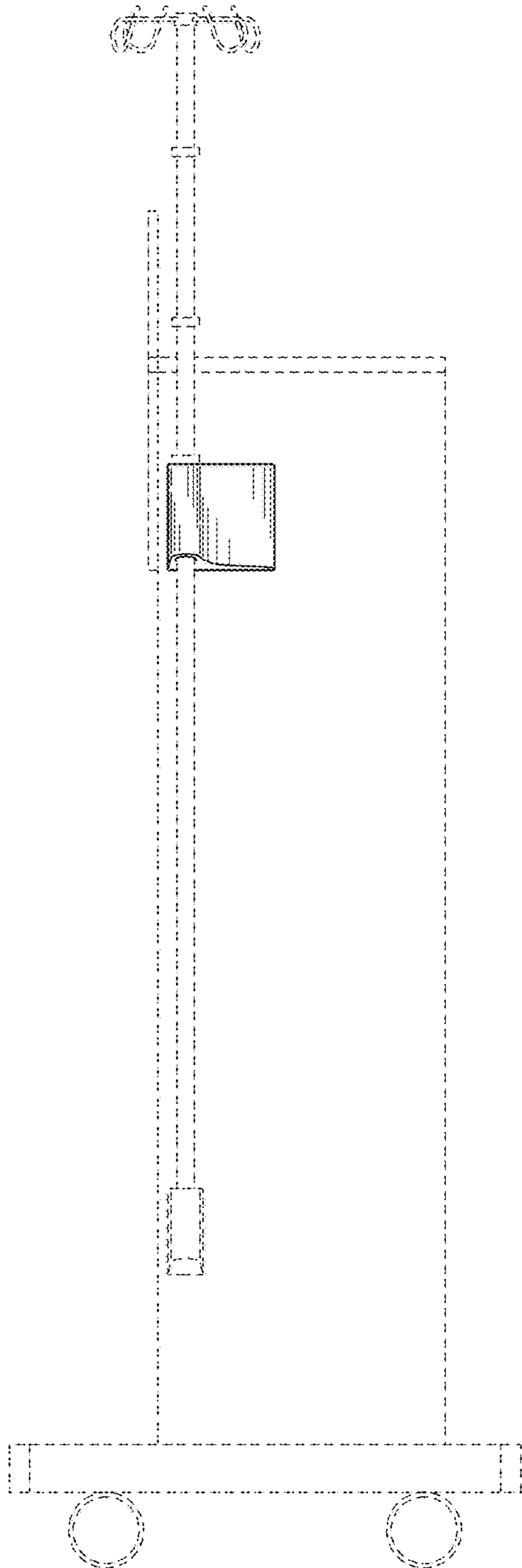


FIG. 10

FIG. 9