



US00D821396S

(12) **United States Design Patent** (10) **Patent No.:** **US D821,396 S**
Kumar et al. (45) **Date of Patent:** **** Jun. 26, 2018**

(54) **BIOMETRIC AUTHENTICATION DEVICE**

(71) Applicant: **Wipro Limited**, Bangalore (IN)

(72) Inventors: **Yateesh Kumar**, Bengaluru (IN);
Mahantesh Amaresh Rakkasagi,
Kushtagi (IN); **Santhosh Kumar**
Madathil, Bangalore (IN)

(73) Assignee: **WIPRO LIMITED**, Bangalore (IN)

(**) Term: **15 Years**

(21) Appl. No.: **29/598,910**

(22) Filed: **Mar. 29, 2017**

(51) **LOC (11) Cl.** **14-02**

(52) **U.S. Cl.**
USPC **D14/384**

(58) **Field of Classification Search**

USPC D14/300-302, 313, 314, 341, 348-370,
D14/383, 385, 432, 436, 496, 125, 135,
D14/134, 155, 167, 168, 230, 231, 233,
D14/235, 237, 240-242, 299; D10/65,
D10/75, 78; D13/103, 149, 162, 184,
D13/199; D18/4.4-4.6, 12.1, 56;
361/679.31-679.45, 752; 711/100, 115;
382/115, 124; 356/71; 235/380, 461,
235/382, 472.01, 472.02; D3/201, 273
CPC G06K 9/00006; G06K 7/0013; G06K
9/00026; G06F 21/00; G06Q 30/00

See application file for complete search history.

(56) **References Cited**

U.S. PATENT DOCUMENTS

D354,745 S *	1/1995	Lynn	D14/384
D438,207 S *	2/2001	Baker	D14/384
D494,175 S *	8/2004	Kawasaki	D14/384
D616,439 S *	5/2010	Mugica	D14/383
D741,862 S *	10/2015	Beroukhim	D14/384
D766,900 S *	9/2016	Beroukhim	D14/384
D782,479 S *	3/2017	Bruno	D14/384

* cited by examiner

Primary Examiner — Austin Murphy

(74) *Attorney, Agent, or Firm* — Finnegan Henderson
Farabow Garrett & Dunner L.L.P.

(57) **CLAIM**

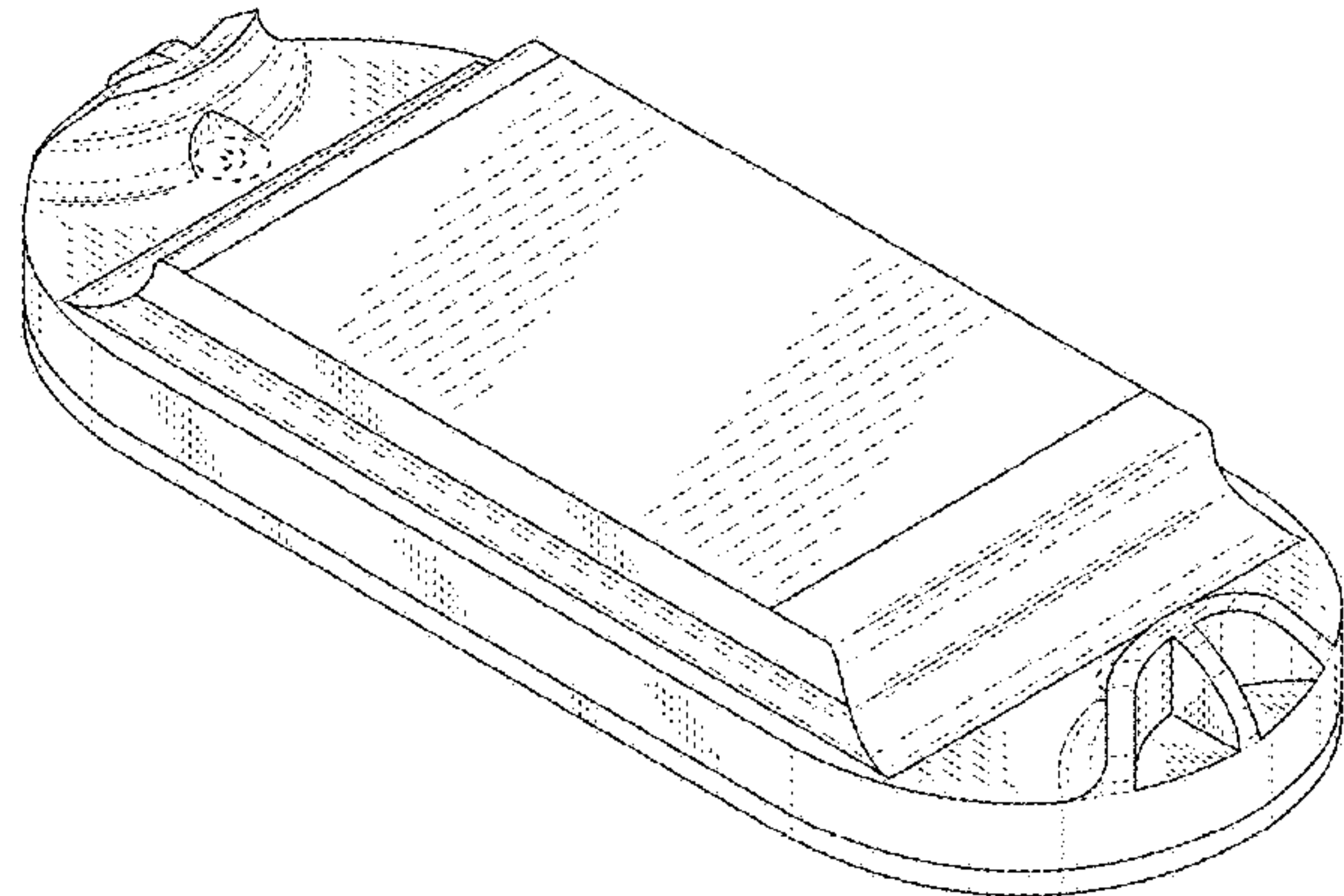
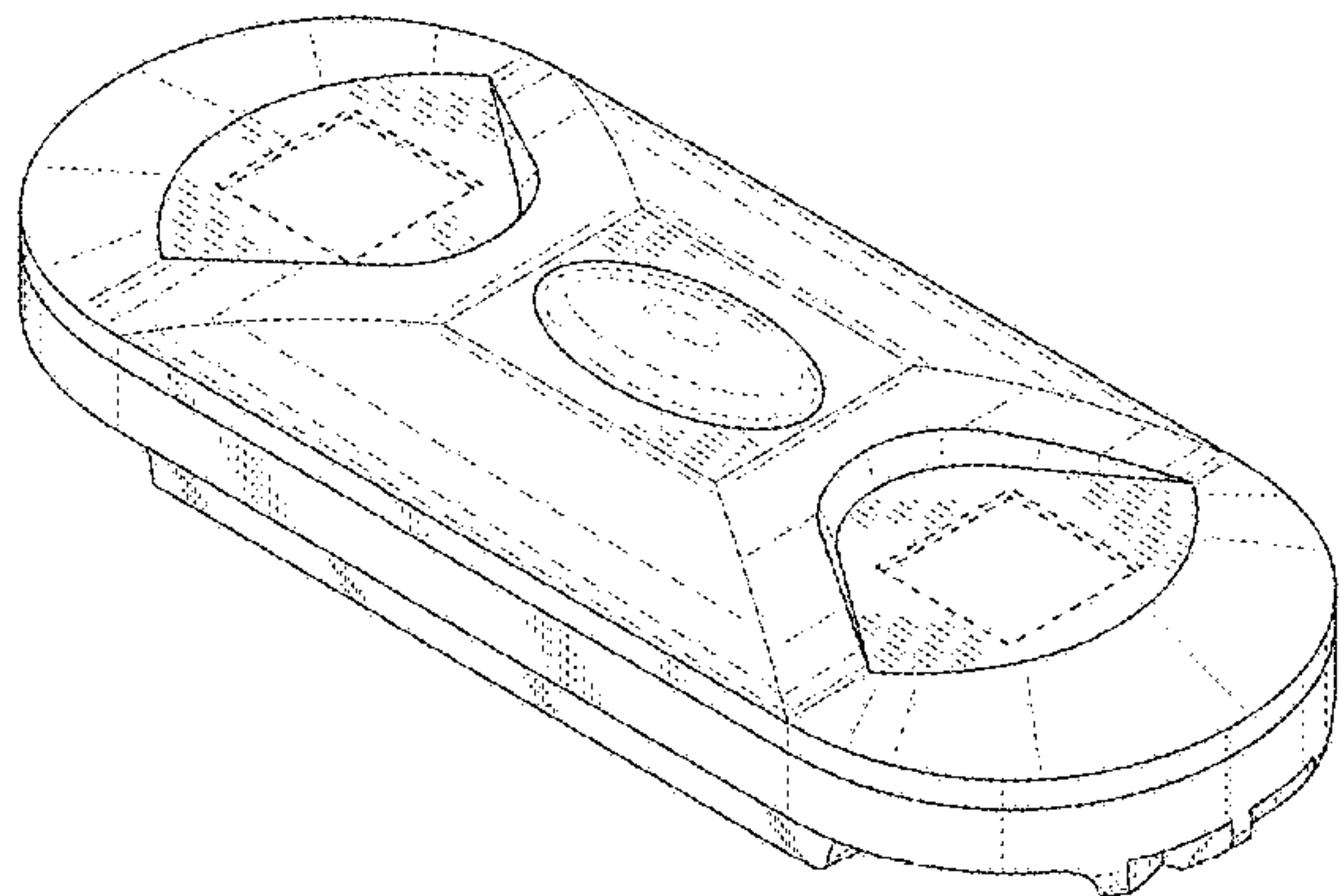
The ornamental design for a biometric authentication device, as shown and described.

DESCRIPTION

FIG. 1 is a bottom, front, right side perspective view of a biometric authentication device showing our new design; FIG. 2 is a bottom, rear, left side perspective view thereof; FIG. 3 is top plan view thereof, the bottom plan view being identical thereto; FIG. 4 is a front elevation view thereof; FIG. 5 is a rear elevation view thereof; and, FIG. 6 is a right side view thereof, the left side view being identical thereto.

The broken lines shown in the drawings illustrate positions of the biometric authentication device that form no part of the claimed design.

1 Claim, 6 Drawing Sheets



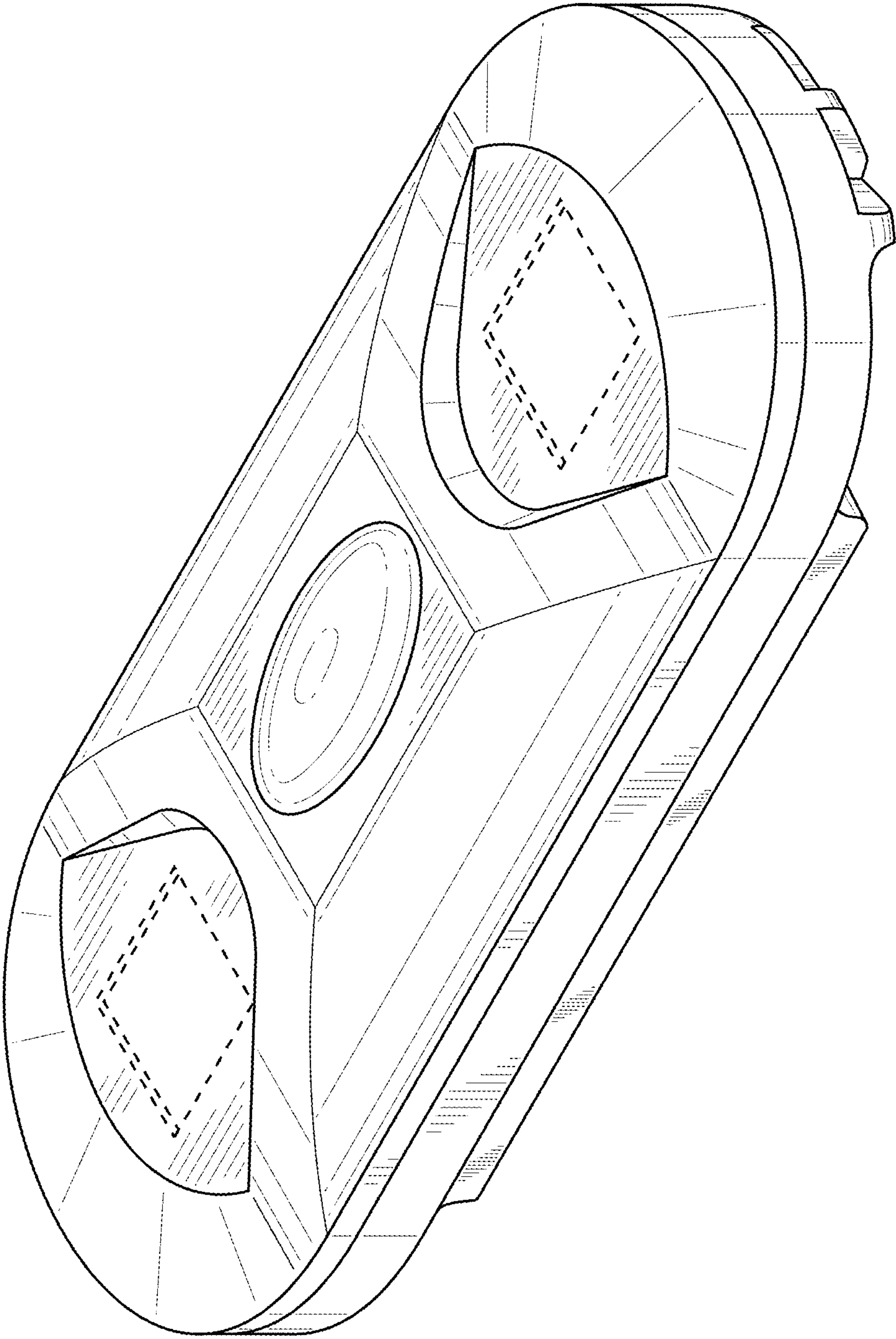


FIG. 1

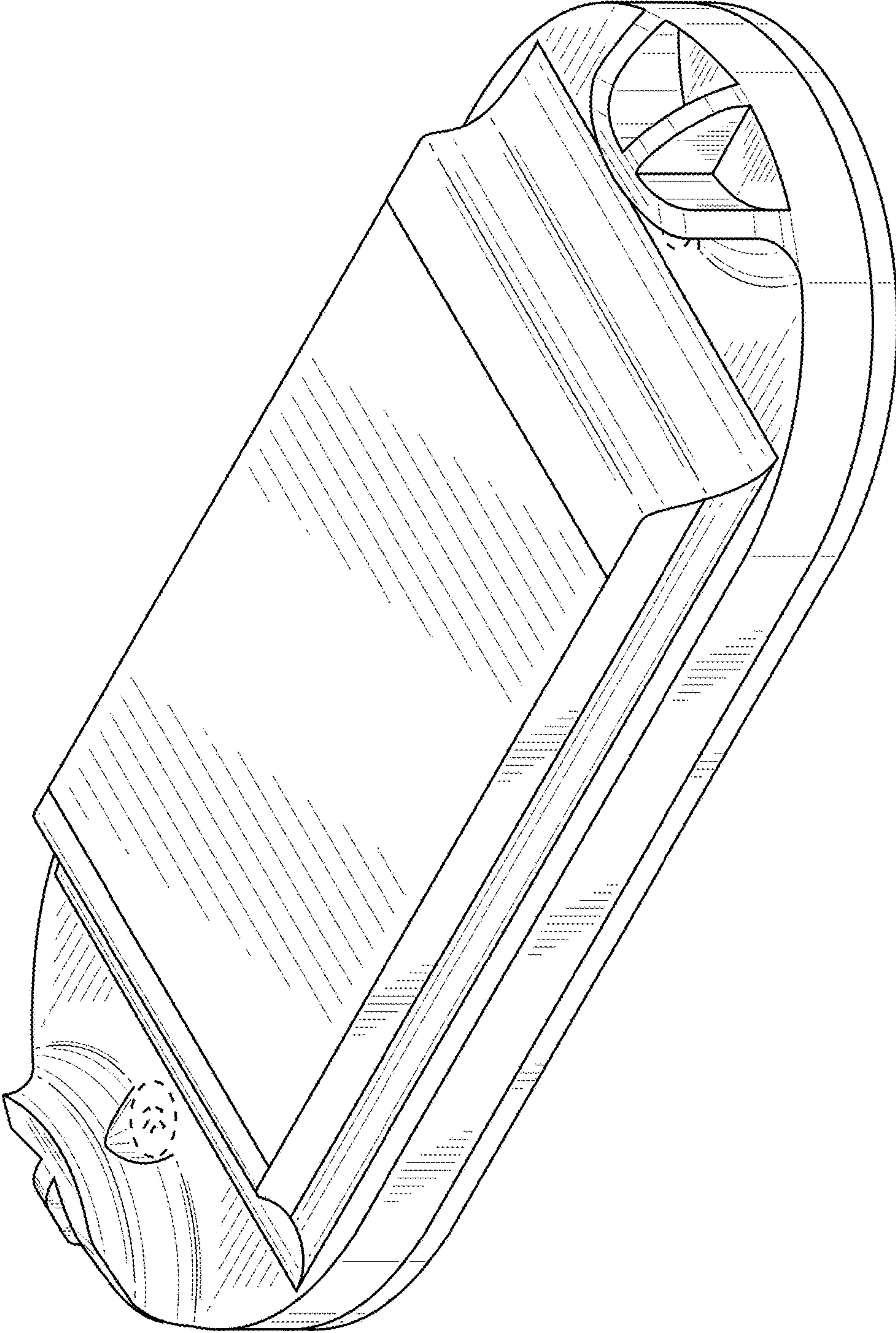


FIG. 2

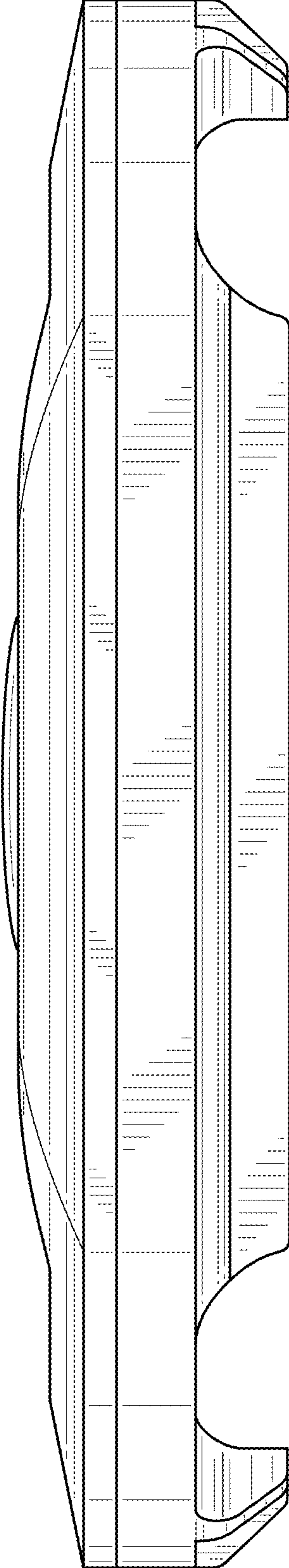


FIG. 3

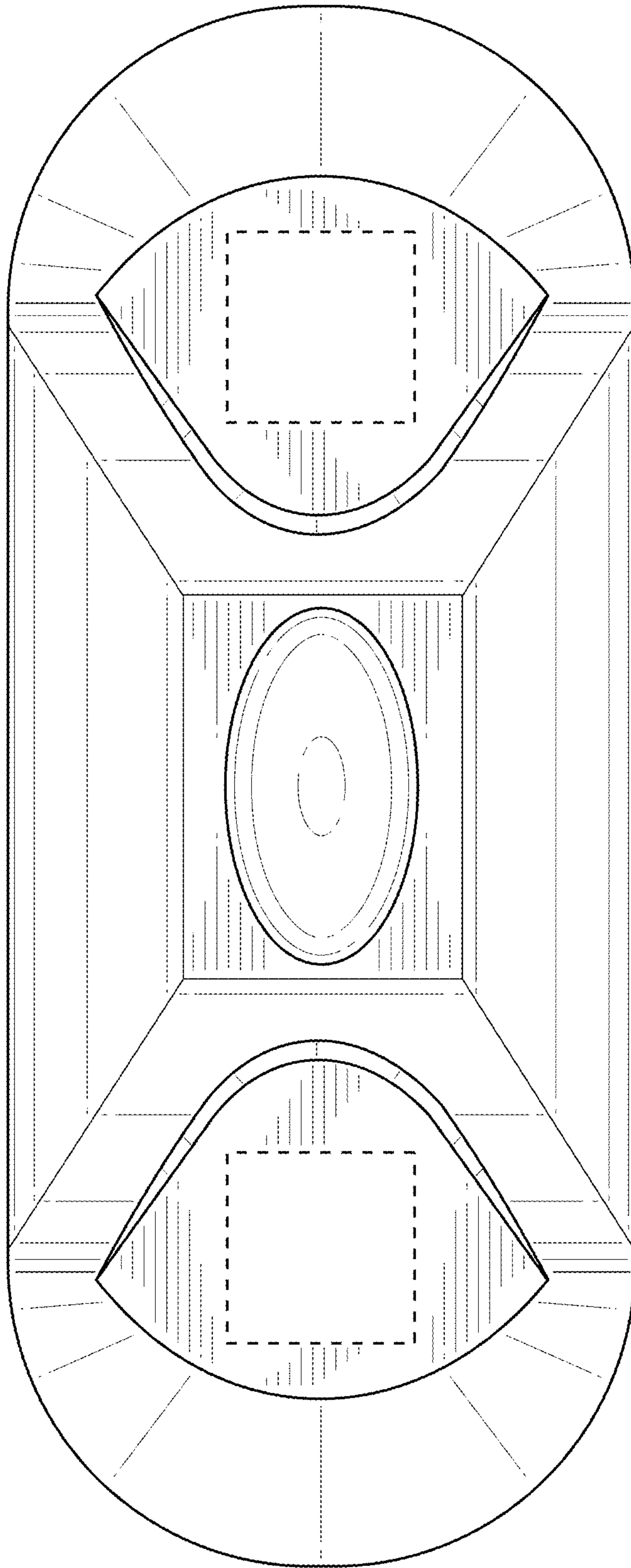


FIG. 4

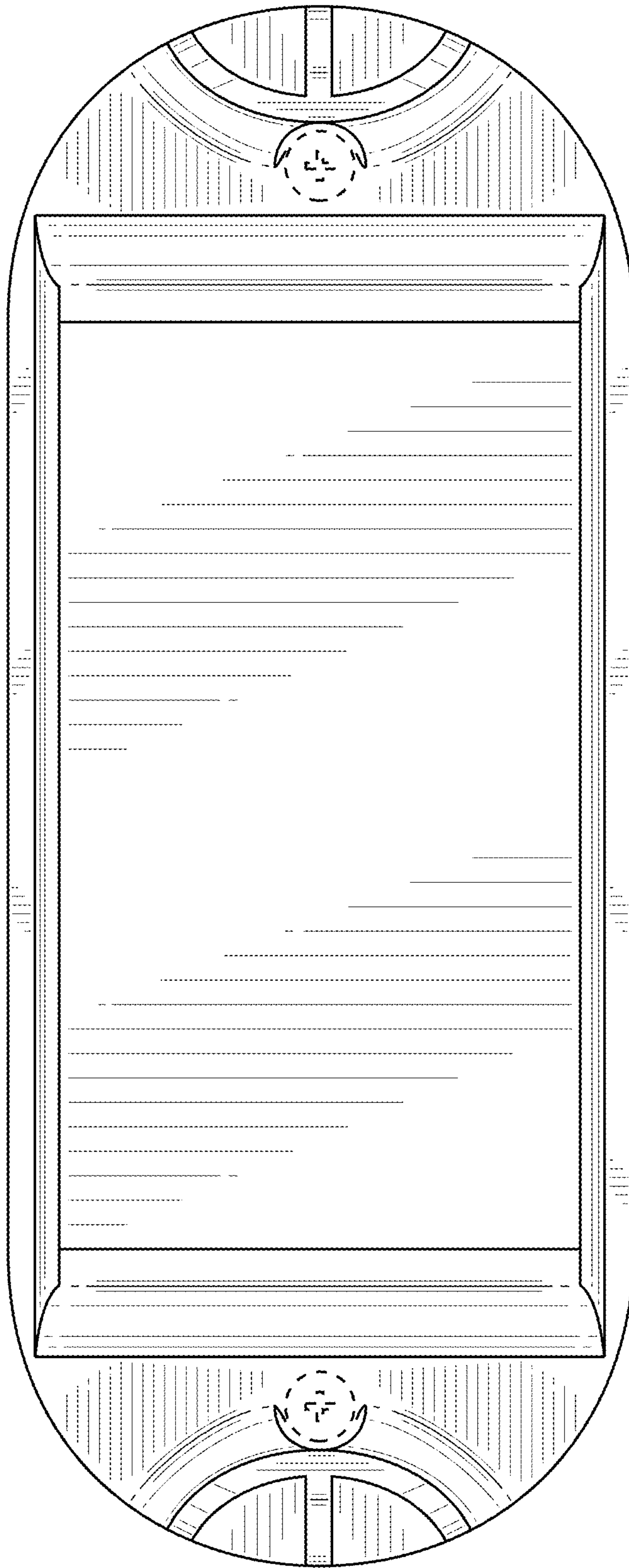


FIG. 5

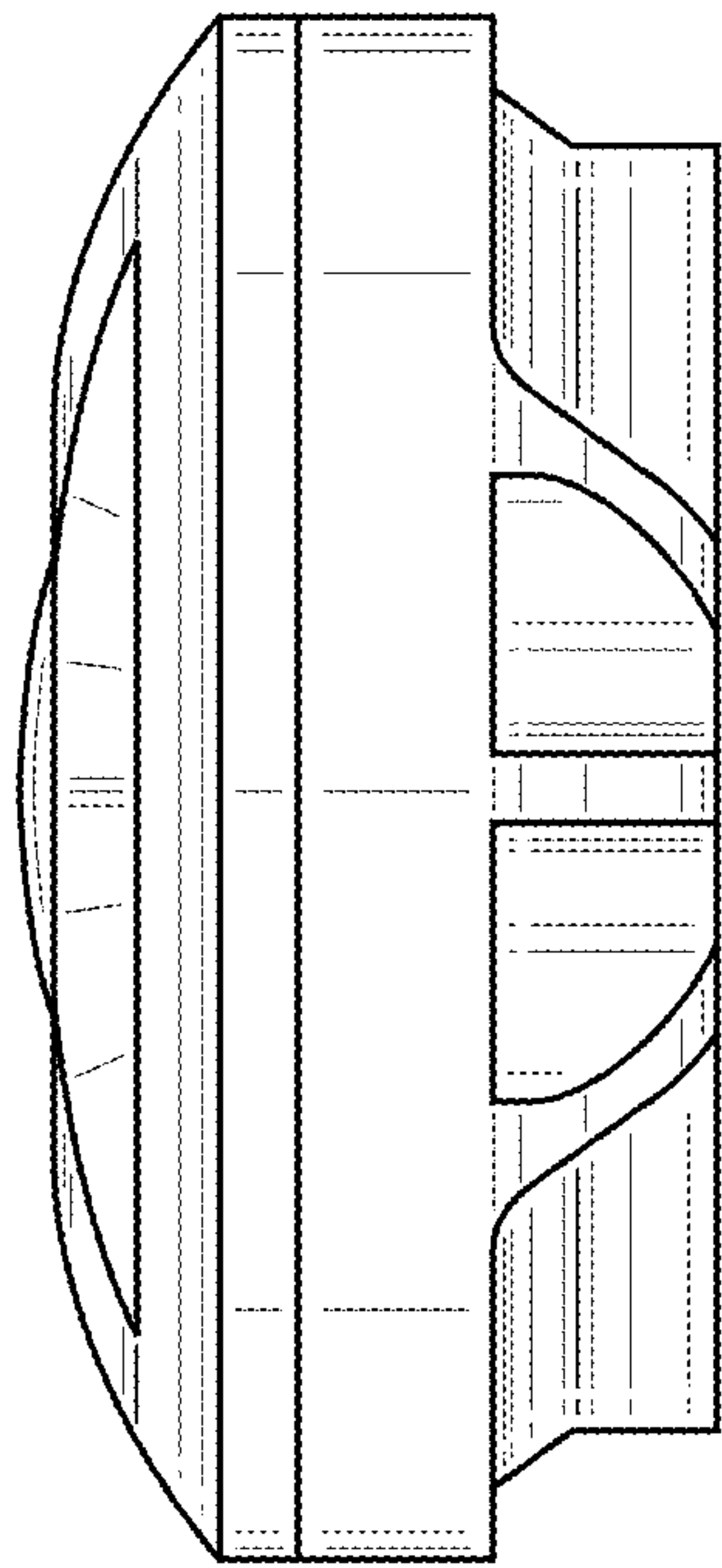


FIG. 6