



US00D821395S

(12) **United States Design Patent**  
**Thetard et al.**

(10) **Patent No.:** **US D821,395 S**

(45) **Date of Patent:** **\*\* Jun. 26, 2018**

(54) **DISPLAY DEVICE**

(71) Applicant: **Dell Products L.P.**, Round Rock, TX  
(US)

(72) Inventors: **Etienne Thetard**, Singapore (SG);  
**Toshiyuki Tanaka**, Mendham, NJ (US);  
**Suet Chan Law**, Singapore (SG)

(73) Assignee: **Dell Products L.P.**, Round Rock, TX  
(US)

(\*\*) Term: **15 Years**

(21) Appl. No.: **29/599,874**

(22) Filed: **Apr. 7, 2017**

(51) **LOC (11) Cl.** ..... **14-02**

(52) **U.S. Cl.**  
USPC ..... **D14/374; D14/336**

(58) **Field of Classification Search**  
USPC ..... D14/371-375, 125-129, 336, 337;  
D6/300, 308; D19/113, 114; D20/10;  
D18/4.4-4.6  
CPC ..... G09F 15/0025; G09F 15/0062; G09F  
15/0068; G06F 1/16; G06F 1/1613; G06F  
1/133308; G06F 1/1601; G06F 3/037;  
G06F 1/162; F16M 11/02; F16M 11/10;  
F16M 11/00; F16M 11/06; F16M 11/18;  
F16M 11/045; F16M 11/105; F16M  
11/041; F16M 11/126; F16M 11/04;  
F16M 11/24; F16M 13/02; A47F 5/00

See application file for complete search history.

(56) **References Cited**

U.S. PATENT DOCUMENTS

D620,907 S *	8/2010	Shimizu .....	D14/126
D635,107 S *	3/2011	Chu .....	D14/126
D648,336 S *	11/2011	Yagi .....	D14/374
D694,750 S *	12/2013	Shin .....	D14/337
D729,799 S *	5/2015	Jung .....	D14/374
2006/0237599 A1 *	10/2006	Ternus .....	F16M 11/10 248/176.1

\* cited by examiner

*Primary Examiner* — Freda S Nunn

(74) *Attorney, Agent, or Firm* — Terrile, Cannatti,  
Chambers & Holland, LLP; Stephen A Terrile

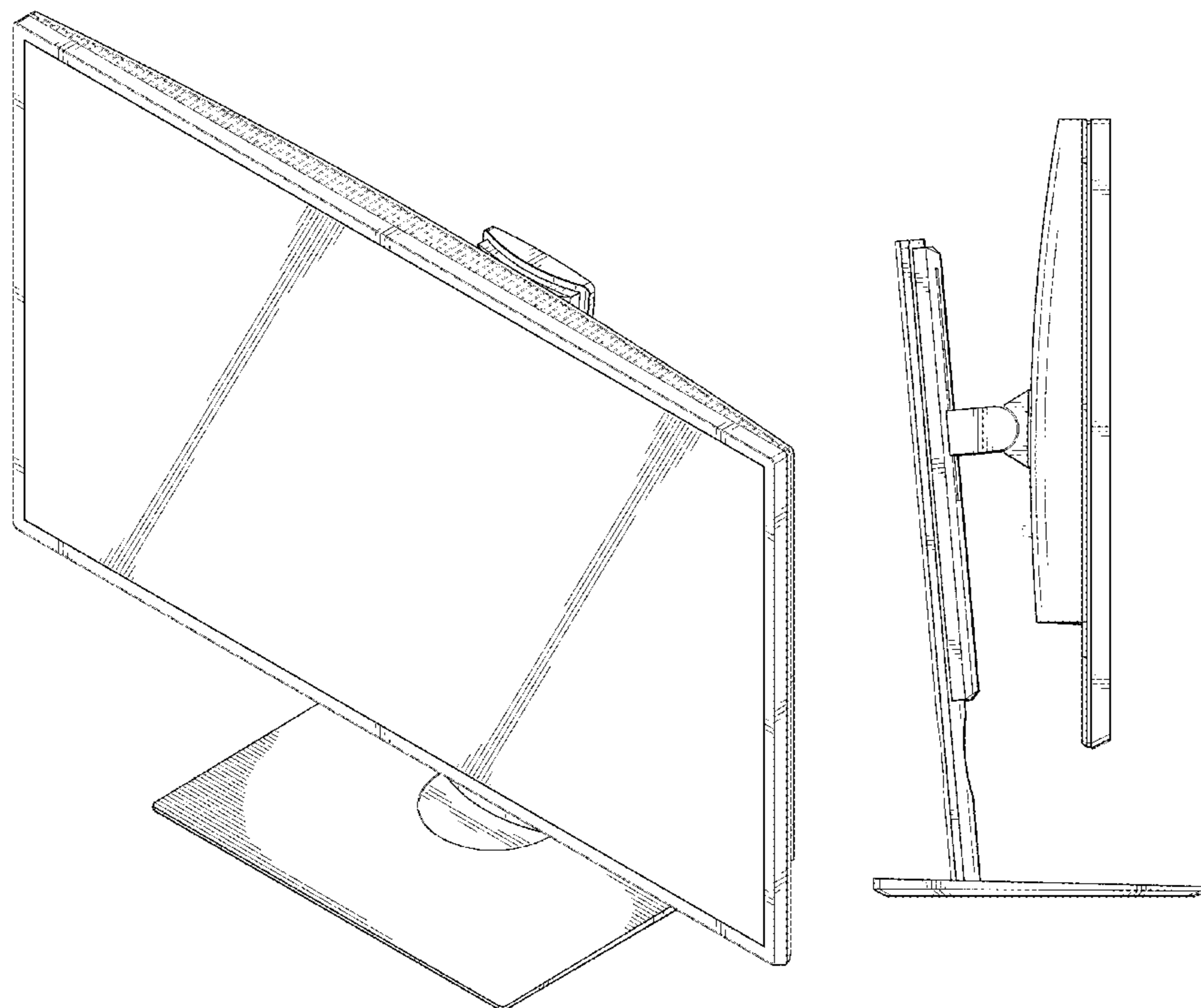
(57) **CLAIM**

We claim the ornamental design for a display device, as shown and described.

**DESCRIPTION**

FIG. 1 is a front perspective view of the display device comprising the present invention;  
FIG. 2 is a front elevation view thereof;  
FIG. 3 is a rear elevation thereof;  
FIG. 4 is a right side view thereof;  
FIG. 5 is a left side view thereof;  
FIG. 6 is a top view thereof;  
FIG. 7 is a bottom view thereof; and,  
FIG. 8 is a rear perspective view thereof.  
Broken lines shown in the drawings illustrate portions of the display device, and form no part of the claimed design.

**1 Claim, 6 Drawing Sheets**



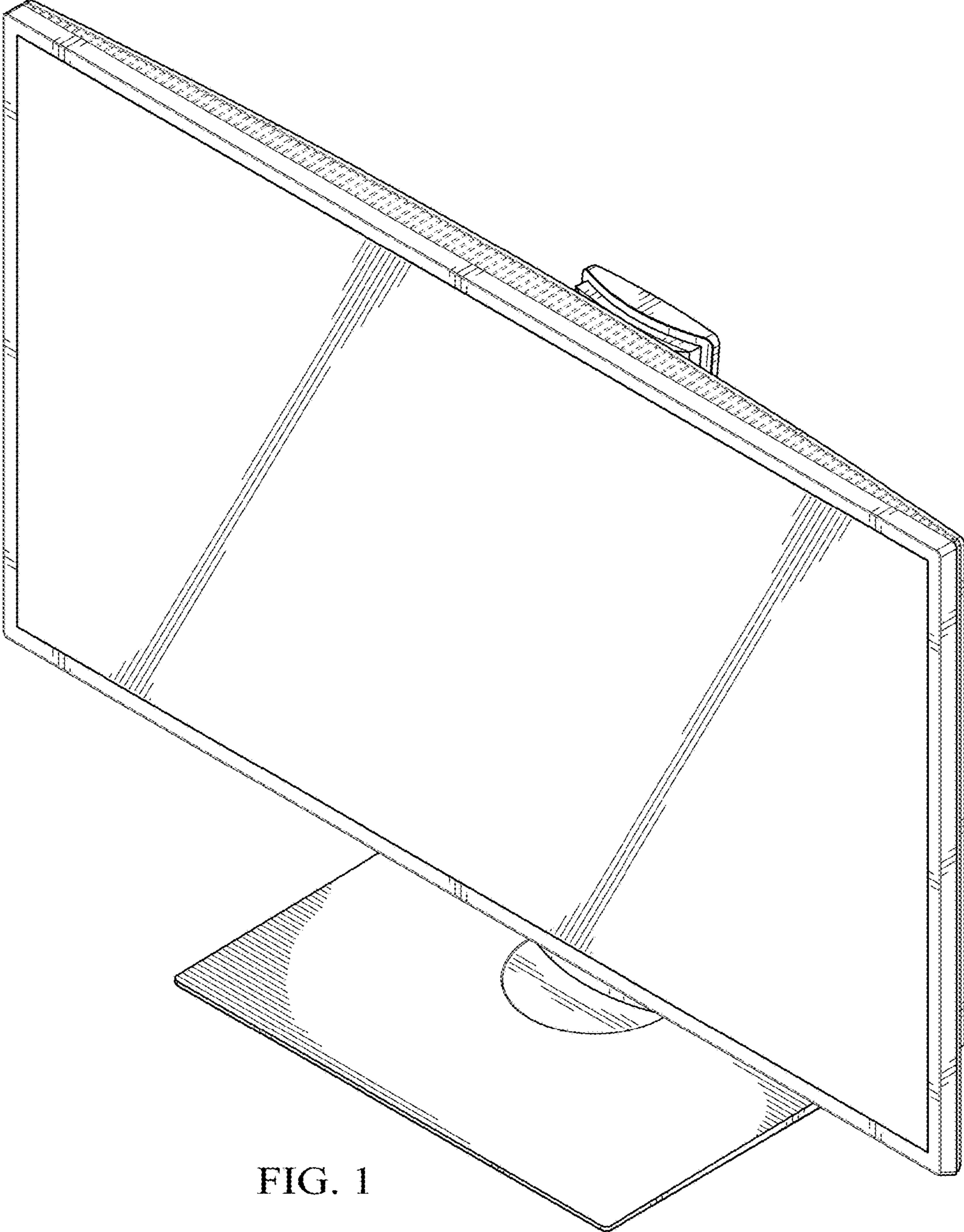


FIG. 1

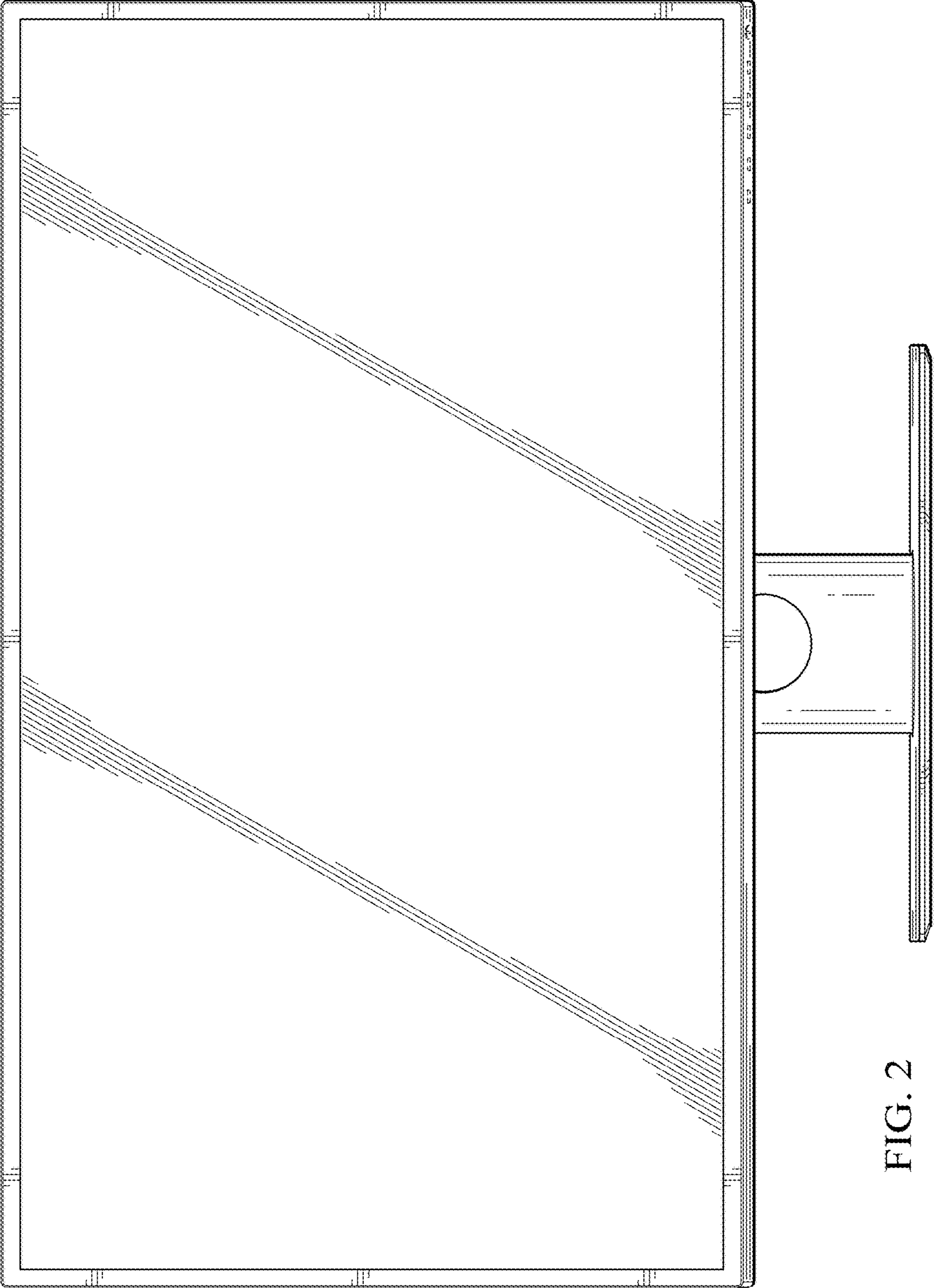


FIG. 2

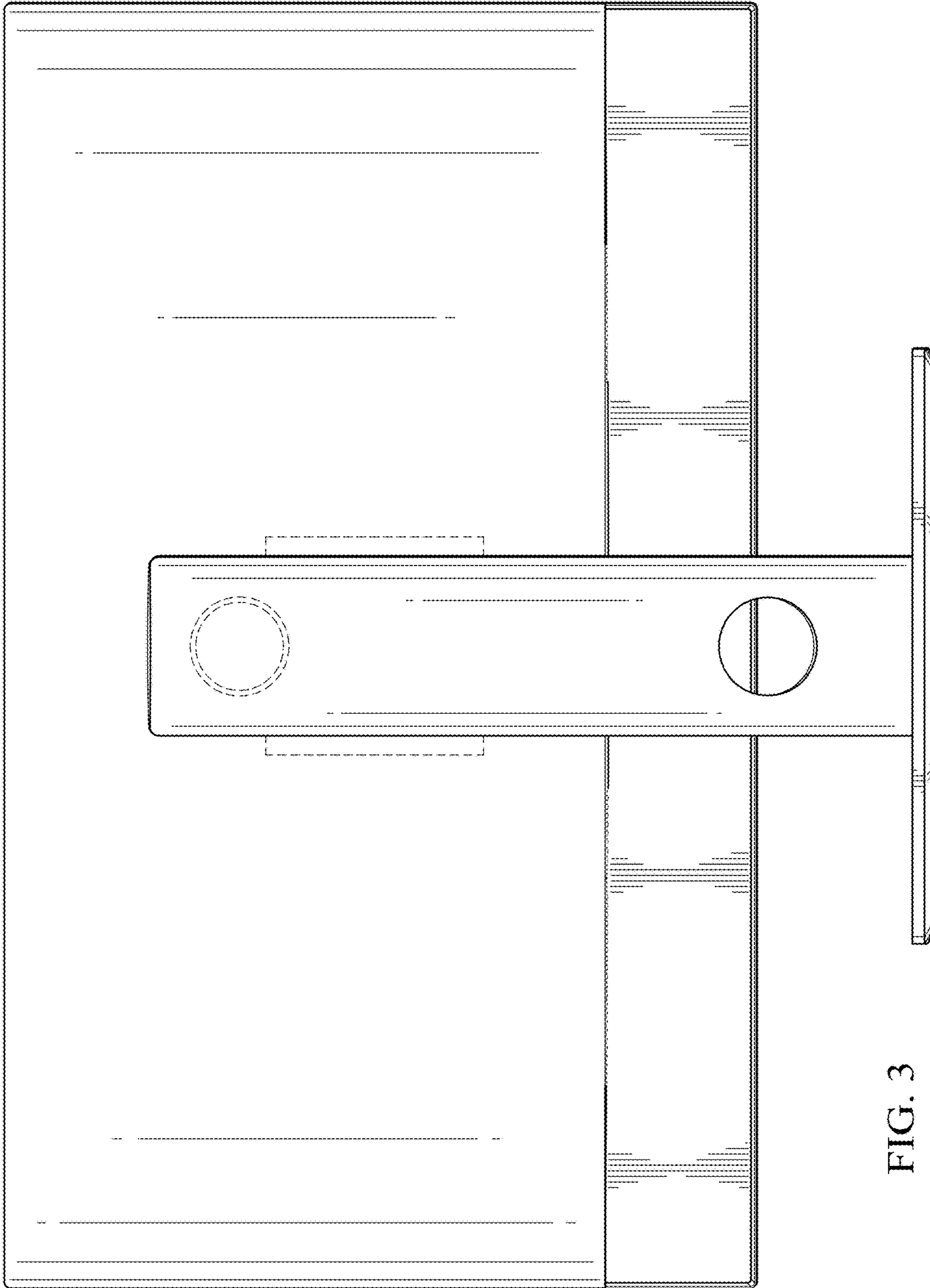


FIG. 3

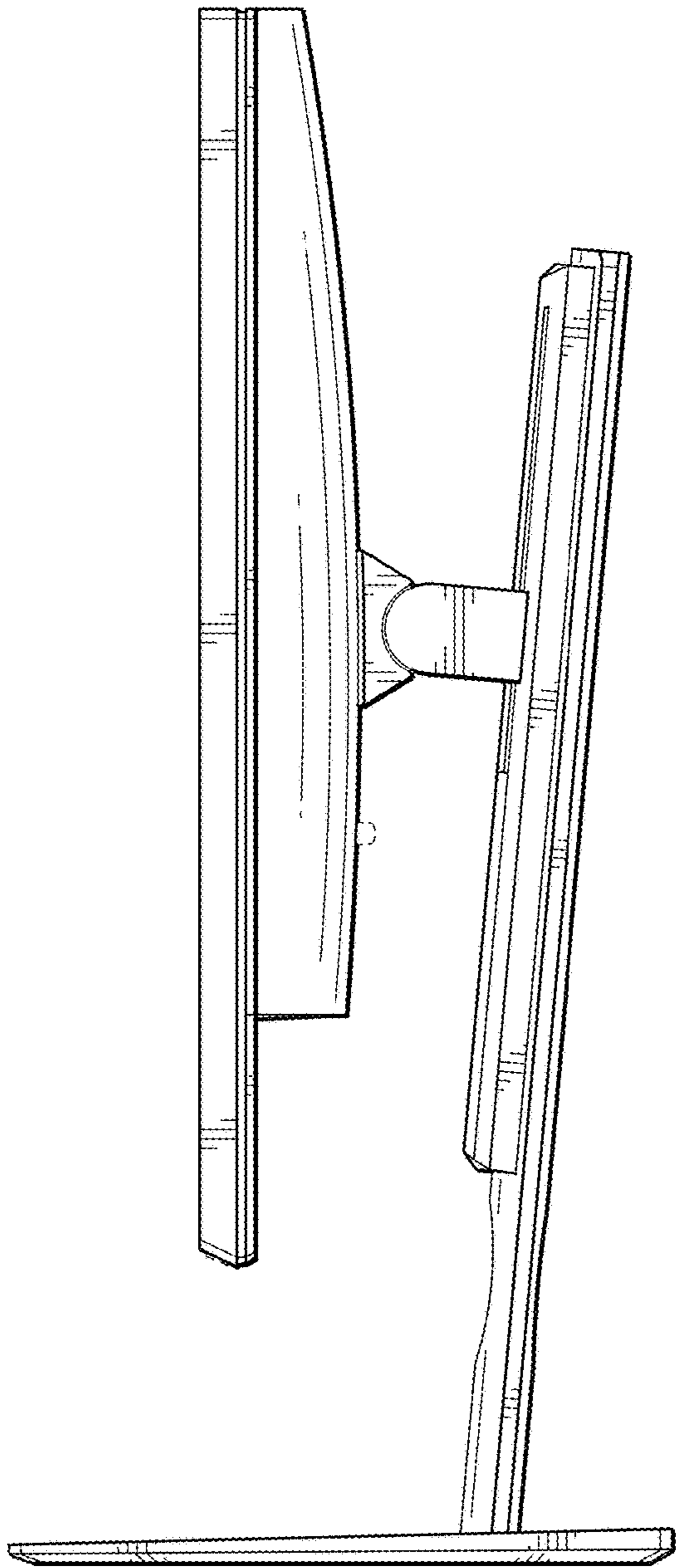


FIG. 4

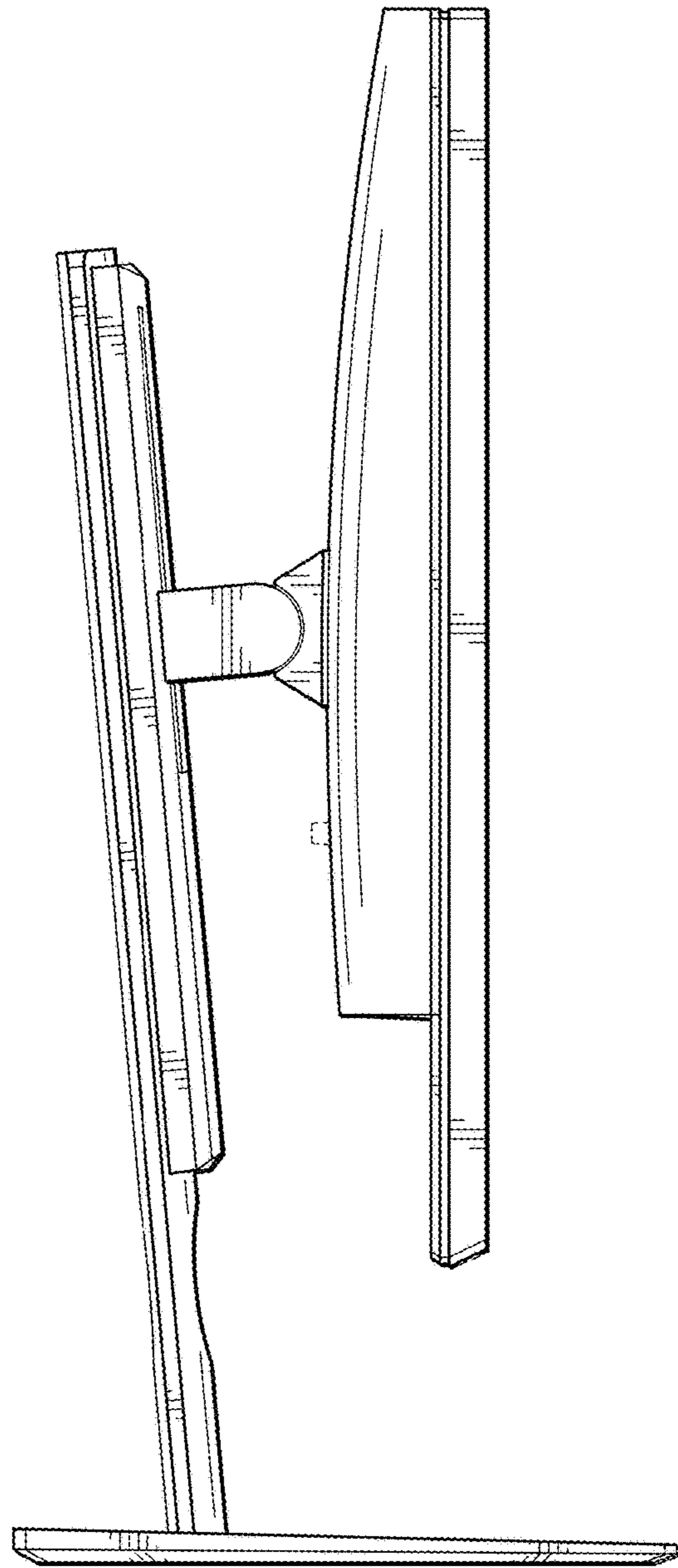


FIG. 5

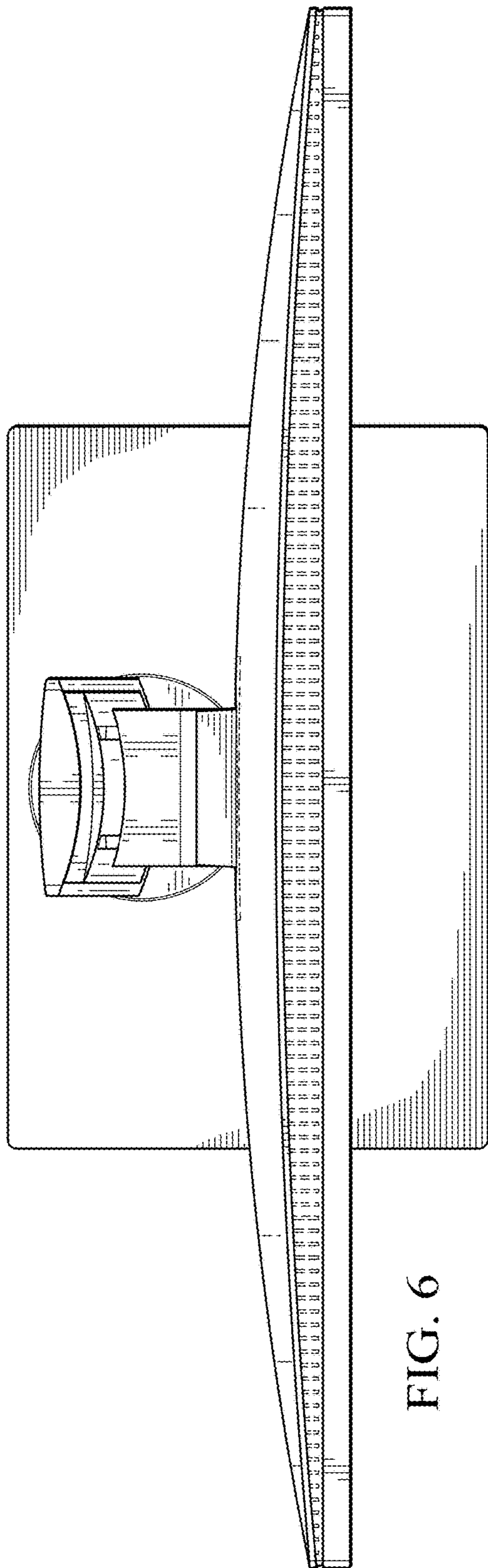


FIG. 6

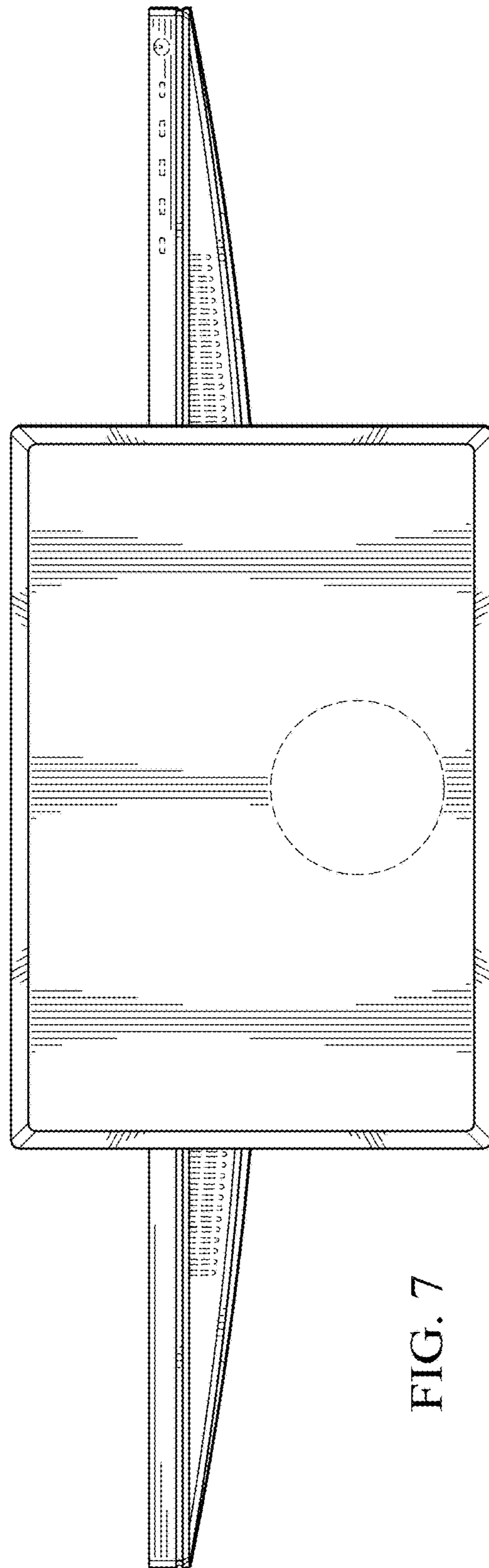


FIG. 7

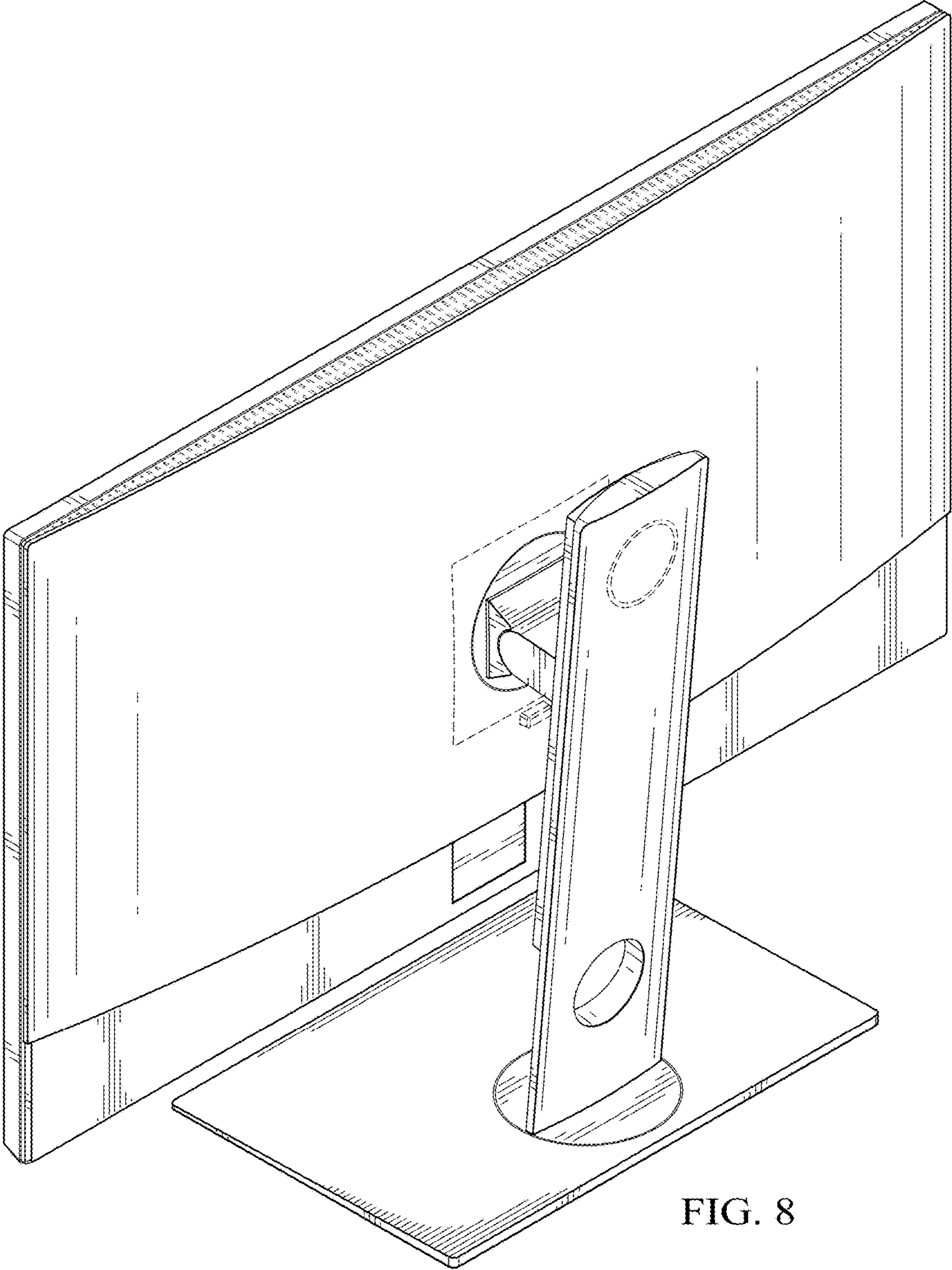


FIG. 8