



US00D821393S

(12) **United States Design Patent**  
**Matsumiya et al.**

(10) **Patent No.:** **US D821,393 S**  
(45) **Date of Patent:** **\*\* Jun. 26, 2018**

(54) **WIRELESS COMMUNICATION DEVICE**

(71) Applicant: **MITUTOYO CORPORATION**,  
Kawasaki, Kanagawa (JP)

(72) Inventors: **Sadayuki Matsumiya**, Sagamihara  
(JP); **Atsuya Niwano**, Tokyo (JP); **Yu  
Sugai**, Hadano (JP); **Shigeru Ohtani**,  
Kawasaki (JP); **Jun Odake**, Tokyo (JP)

(73) Assignee: **MITUTOYO CORPORATION**,  
Kawasaki (JP)

(\*\*) Term: **15 Years**

(21) Appl. No.: **29/593,539**

(22) Filed: **Feb. 9, 2017**

(30) **Foreign Application Priority Data**

Sep. 27, 2016 (JP) ..... 2016-020654

(51) **LOC (11) Cl.** ..... **14-02**

(52) **U.S. Cl.**  
USPC ..... **D14/358**; D14/357; D14/433; D10/74;  
D10/46

(58) **Field of Classification Search**

USPC ..... D14/356, 357, 358, 361, 362, 363, 365,  
D14/367, 370, 388, 432, 434, 203.1,  
D14/203.6, 204, 240, 242, 299, 125, 129,  
D14/130, 140, 155, 168, 188, 195, 300,  
D14/302, 314, 348, 351, 496, 142, 433;  
D13/103, 107, 108, 123, 152, 158, 162,  
D13/162.1, 163, 168, 184, 199; D10/46,  
D10/47, 49, 52, 58, 61, 65, 66, 74, 75,  
D10/103, 104.1

CPC ... H04W 88/08; H04W 88/085; H04W 88/00;  
H04W 88/005; H04W 88/02; H04W  
88/12; H04W 88/14; H04W 88/16; H04W  
88/18; H04W 4/00; H04W 16/26; H01Q  
1/02; H01Q 1/2291; H01Q 1/246; H01Q  
1/42; H04B 1/38

See application file for complete search history.

(56) **References Cited**

U.S. PATENT DOCUMENTS

D188,130 S \* 6/1960 Stuckrath ..... D10/46  
D272,443 S \* 1/1984 Wong ..... D14/155  
D324,344 S \* 3/1992 Collister ..... D10/46  
D327,879 S \* 7/1992 Lou ..... D14/357  
D327,880 S \* 7/1992 Lou ..... D14/357

(Continued)

OTHER PUBLICATIONS

Measuring instruments. (Design—© Questel) orbit.com.[online  
PDF] 13 pgs. Print Dates range from Feb. 7, 2012 to Jan. 20, 2017.  
[Retrieved on Mar. 13, 2018] [https://sobjprd.questel.fr/export/  
QPTUJ214/pdf2/163a97d6-8d01-447f-af50-490453fb1c47-  
201618.pdf](https://sobjprd.questel.fr/export/QPTUJ214/pdf2/163a97d6-8d01-447f-af50-490453fb1c47-201618.pdf).\*

(Continued)

*Primary Examiner* — Susan Bennett Hattan

*Assistant Examiner* — Marie D. Fast Horse

(74) *Attorney, Agent, or Firm* — Oliff PLC

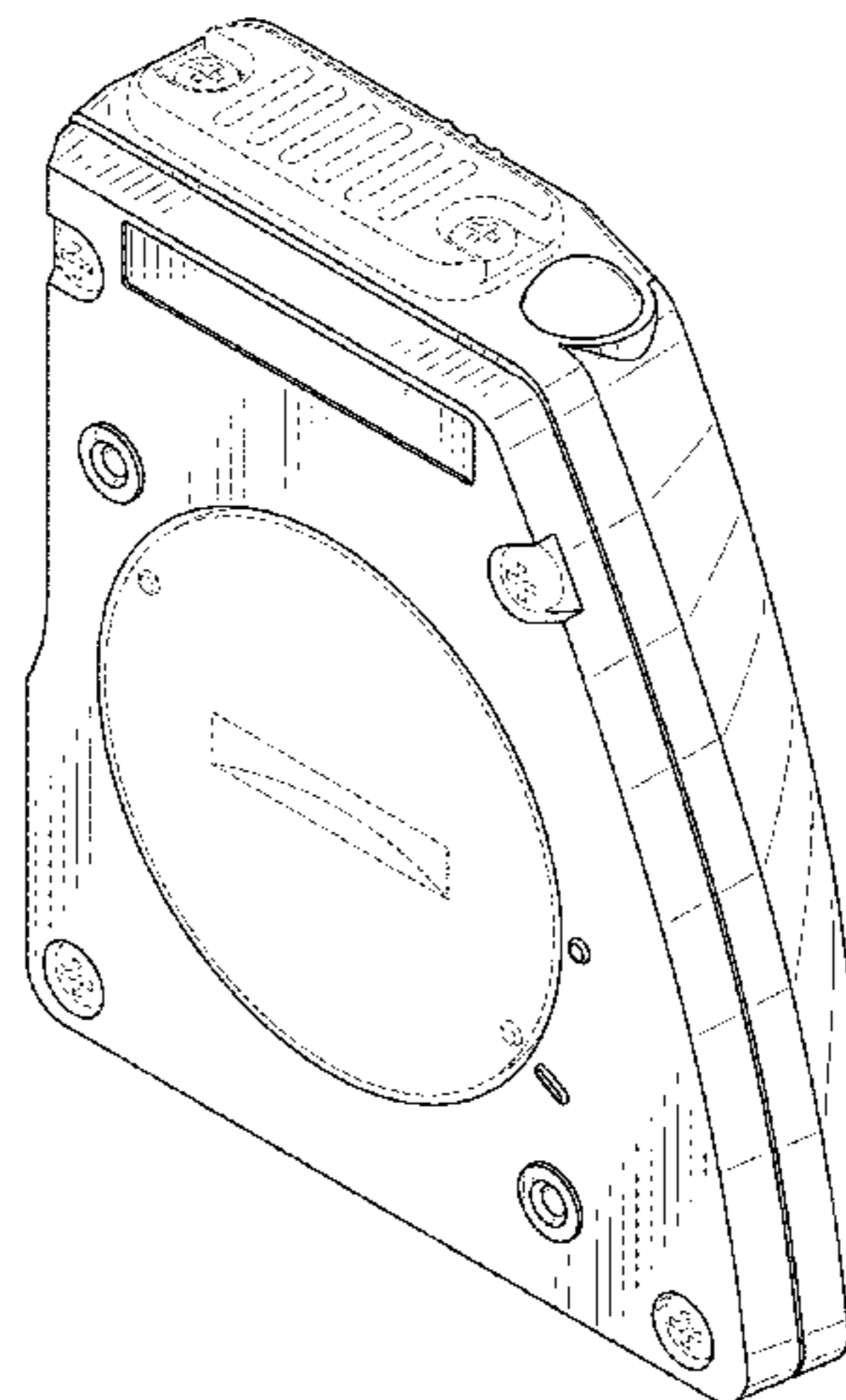
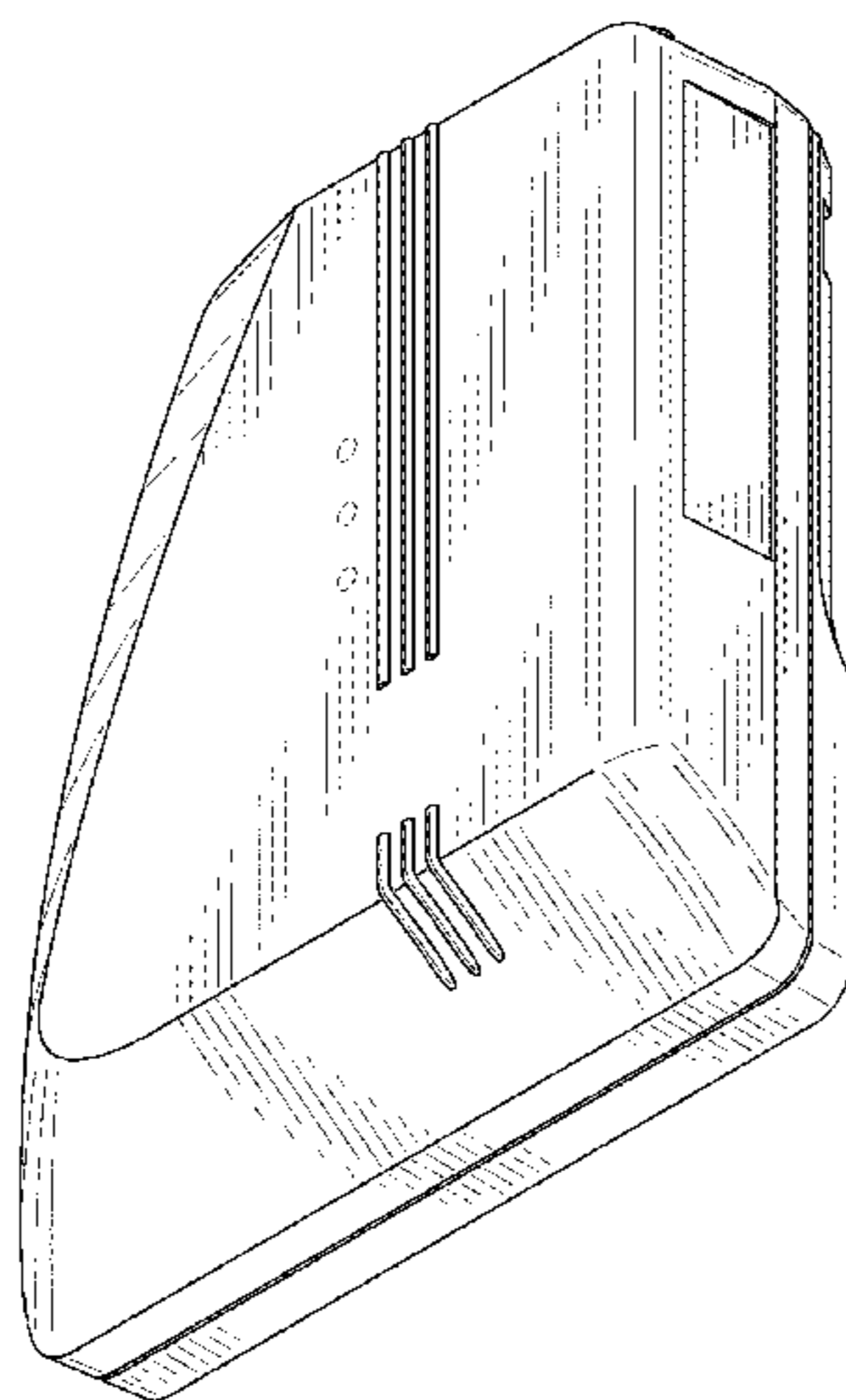
(57) **CLAIM**

The ornamental design for a wireless communication  
device, as shown and described.

**DESCRIPTION**

FIG. 1 is a front, bottom, right-side perspective view of the  
wireless communication device;  
FIG. 2 is a rear, top, left-side perspective view thereof;  
FIG. 3 is a front elevational view thereof;  
FIG. 4 is a rear elevational view thereof;  
FIG. 5 is a top plan view thereof;  
FIG. 6 is a bottom plan view thereof;  
FIG. 7 is a right-side elevational view thereof; and,  
FIG. 8 is a left-side elevational view thereof.  
The broken lines depict unclaimed parts of the wireless  
communication device, and thus form no part of the claimed  
design.

**1 Claim, 6 Drawing Sheets**



(56)

References Cited

U.S. PATENT DOCUMENTS

D331,394 S \* 12/1992 Kobayashi ..... D14/242  
 D331,395 S \* 12/1992 Lou ..... D14/357  
 D338,193 S \* 8/1993 Sasaki ..... D14/433  
 D340,059 S \* 10/1993 Wetzel ..... D14/433  
 D347,593 S \* 6/1994 Davis ..... D10/104.1  
 D351,601 S \* 10/1994 Rak ..... D14/242  
 D352,033 S \* 11/1994 Robertson, Jr. .... D14/188  
 D357,427 S \* 4/1995 Lee ..... D10/104.1  
 D358,380 S \* 5/1995 Sakaguchi ..... D14/357  
 D359,287 S \* 6/1995 Heberling ..... D14/242  
 D363,064 S \* 10/1995 Rogov ..... D14/433  
 D363,289 S \* 10/1995 Kobayashi ..... D14/242  
 D364,859 S \* 12/1995 Fenton ..... D14/357  
 D365,529 S \* 12/1995 Peroni ..... D10/103  
 D372,024 S \* 7/1996 Carlson, Jr. .... D14/432  
 D373,316 S \* 9/1996 Walters ..... D10/104.1  
 D374,675 S \* 10/1996 Sakai ..... D14/242  
 D376,329 S \* 12/1996 Youabian ..... D10/104.1  
 D377,645 S \* 1/1997 Iwamoto ..... D14/385  
 D383,454 S \* 9/1997 Osit ..... D14/402  
 D391,942 S \* 3/1998 Lee ..... D14/341  
 D393,480 S \* 4/1998 Komuta ..... D14/433  
 D405,064 S \* 2/1999 Iino ..... D14/433  
 D411,523 S \* 6/1999 Talesfore ..... D14/433  
 D415,131 S \* 10/1999 Chang ..... D14/433  
 D415,704 S \* 10/1999 Carroll ..... D10/104.1  
 D423,503 S \* 4/2000 Abdo ..... D14/188  
 D428,350 S \* 7/2000 Weingartner ..... D10/104.1  
 D433,642 S \* 11/2000 Bauman ..... D10/104.1  
 D434,991 S \* 12/2000 Brooks ..... D10/104.1  
 D445,705 S \* 7/2001 Kliegman ..... D10/104.1  
 D454,084 S \* 3/2002 Bogen ..... D10/104.1  
 D460,452 S \* 7/2002 Yoshie ..... D14/358  
 D471,543 S \* 3/2003 Yang ..... D14/240  
 D472,163 S \* 3/2003 Manivone ..... D10/46

D478,086 S \* 8/2003 Chuang ..... D14/433  
 6,769,603 B2 \* 8/2004 Nagai et al. .... G11B 20/10527  
 235/375  
 D496,346 S \* 9/2004 Fuss ..... D14/188  
 D501,476 S \* 2/2005 Quijano ..... D14/352  
 D507,273 S \* 7/2005 Ibuki ..... D14/433  
 D509,214 S \* 9/2005 Chung ..... D14/240  
 D535,279 S \* 1/2007 Krieger ..... D14/155  
 D561,617 S \* 2/2008 Ishii ..... D10/65  
 D570,232 S \* 6/2008 Kaluza ..... D10/46  
 D581,303 S \* 11/2008 Concari ..... D10/104.1  
 D585,048 S \* 1/2009 Uchimura ..... D14/155  
 D596,614 S \* 7/2009 Wilson ..... D14/188  
 D596,615 S \* 7/2009 Wilson ..... D14/188  
 D651,103 S \* 12/2011 Greenberg ..... D14/358  
 D688,959 S \* 9/2013 Arvidsson ..... D10/75  
 D705,189 S \* 5/2014 Chovin ..... D14/159  
 D712,761 S \* 9/2014 Matsumiya ..... D10/74  
 D721,349 S \* 1/2015 Sugai ..... D14/159  
 D727,906 S \* 4/2015 Neumann ..... D14/358  
 D743,815 S \* 11/2015 Janu et al. .... D10/46  
 D752,454 S \* 3/2016 Miller ..... D10/50  
 D788,106 S \* 5/2017 Lin ..... D14/356  
 D788,776 S \* 6/2017 Marzette, Jr. .... D14/358  
 D789,361 S \* 6/2017 Ali ..... D14/358  
 D791,767 S \* 7/2017 Ali ..... D14/358  
 D798,296 S \* 9/2017 Ali ..... D14/358  
 D805,409 S \* 12/2017 Matsumiya ..... D10/62  
 D806,027 S \* 12/2017 Ceravalo ..... D13/110  
 D809,944 S \* 2/2018 Kawahara ..... D10/53

OTHER PUBLICATIONS

Measurement Data Wireless Communication System. U-WAVE. Mitutoyo Corporation. Catalog No. E12000. <https://www.mitutoyo.co.jp/eng/products/keisokusystem/pdf/U-WAVE.pdf>.

\* cited by examiner

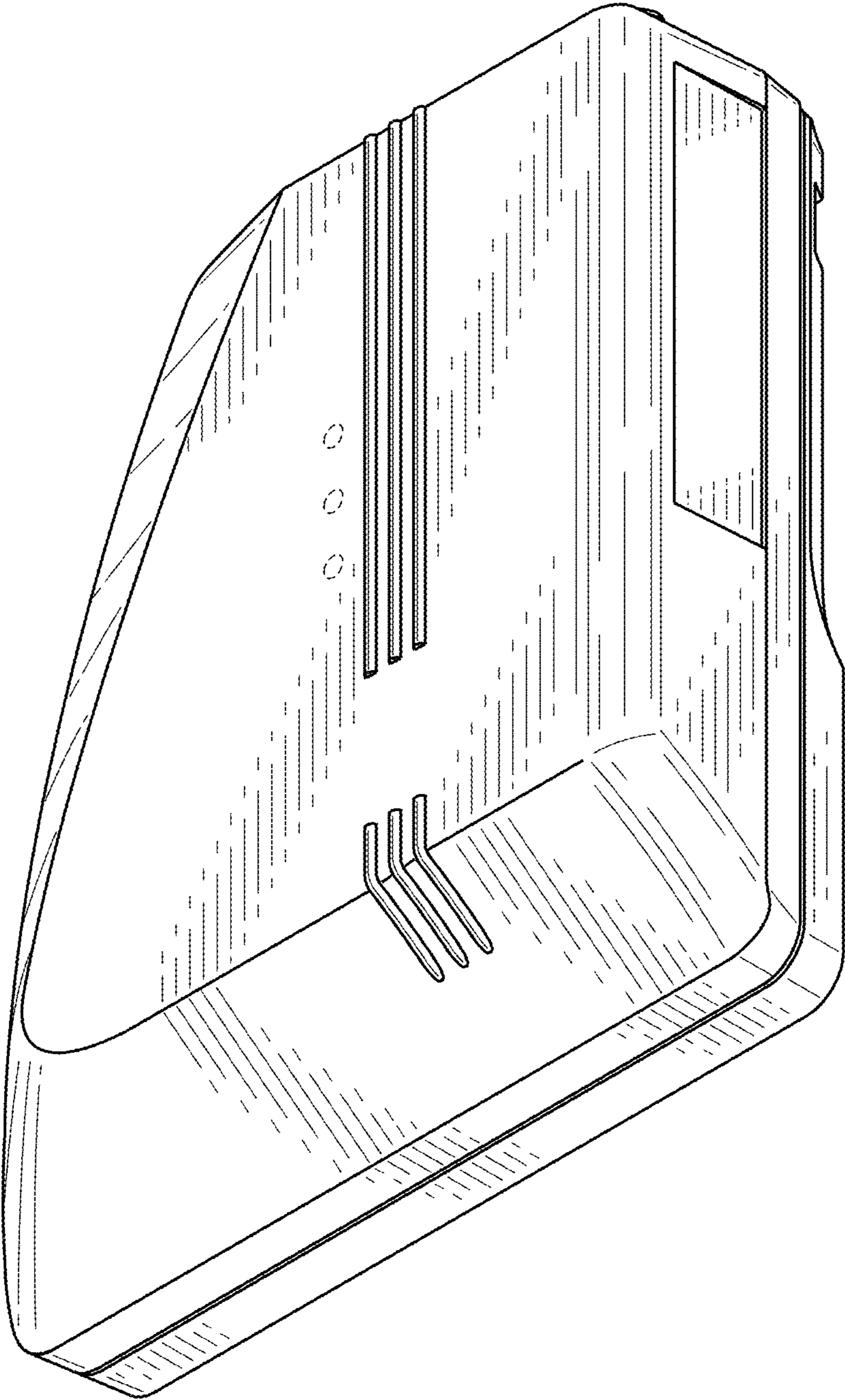


FIG. 1

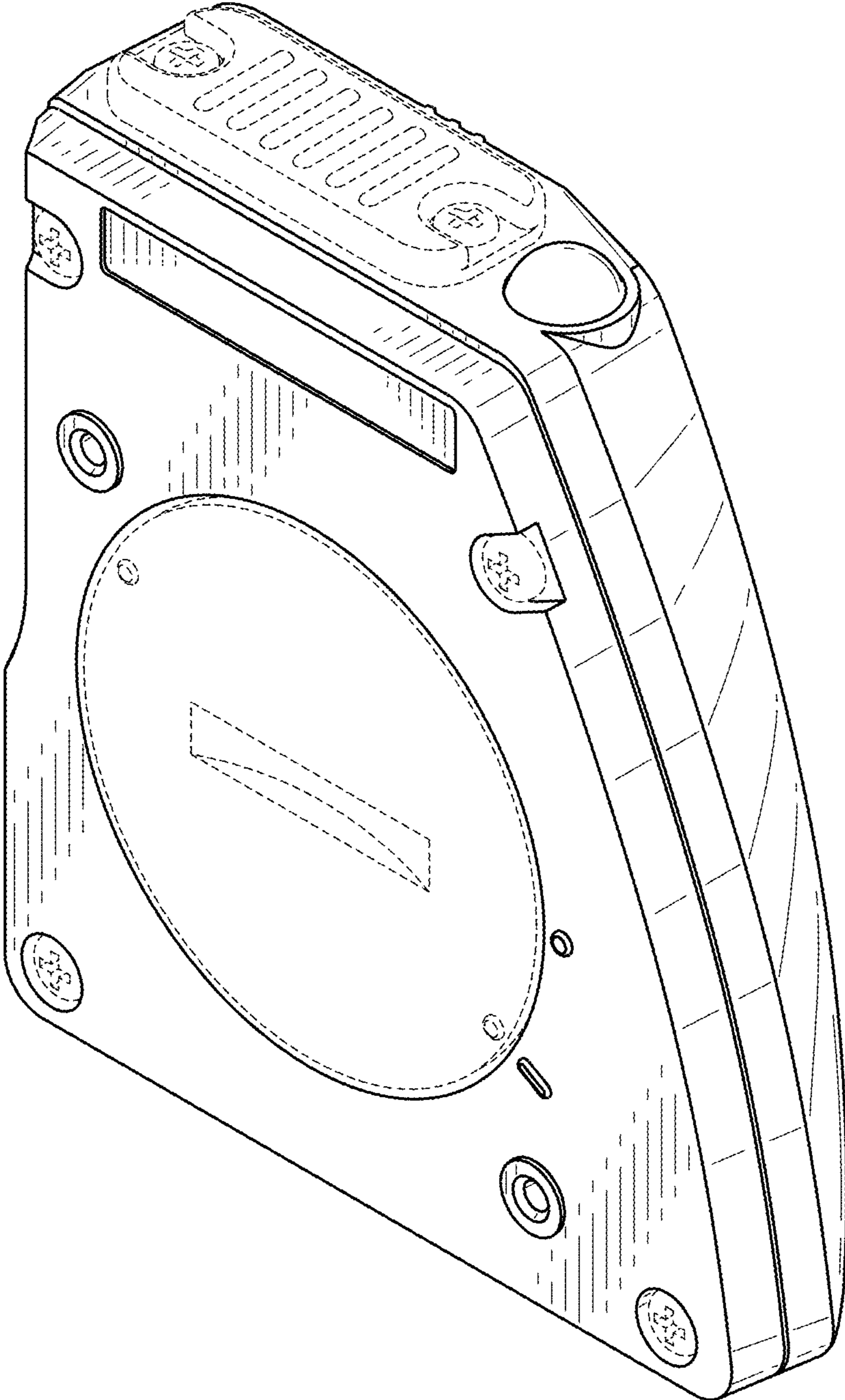


FIG. 2

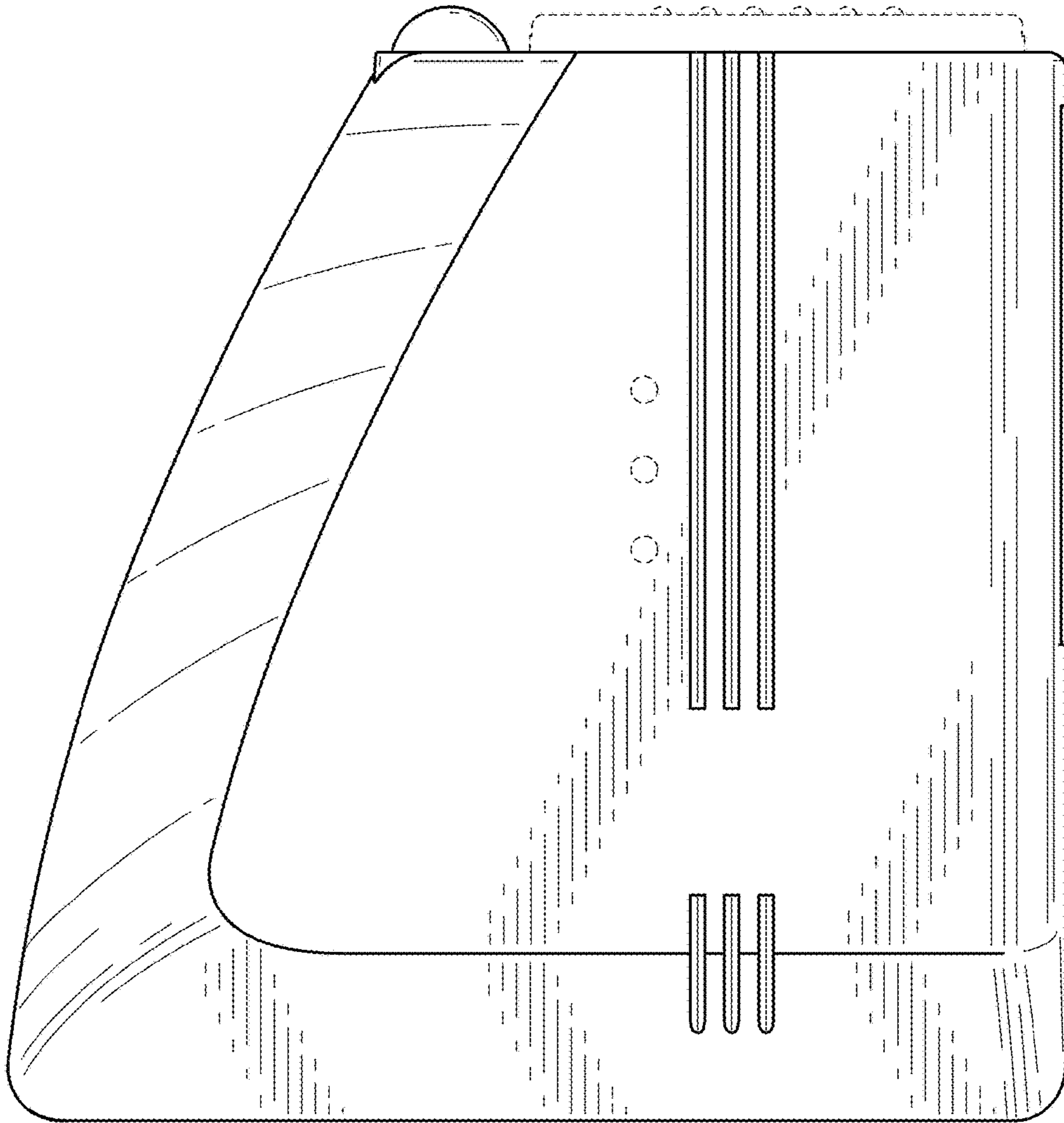


FIG. 3

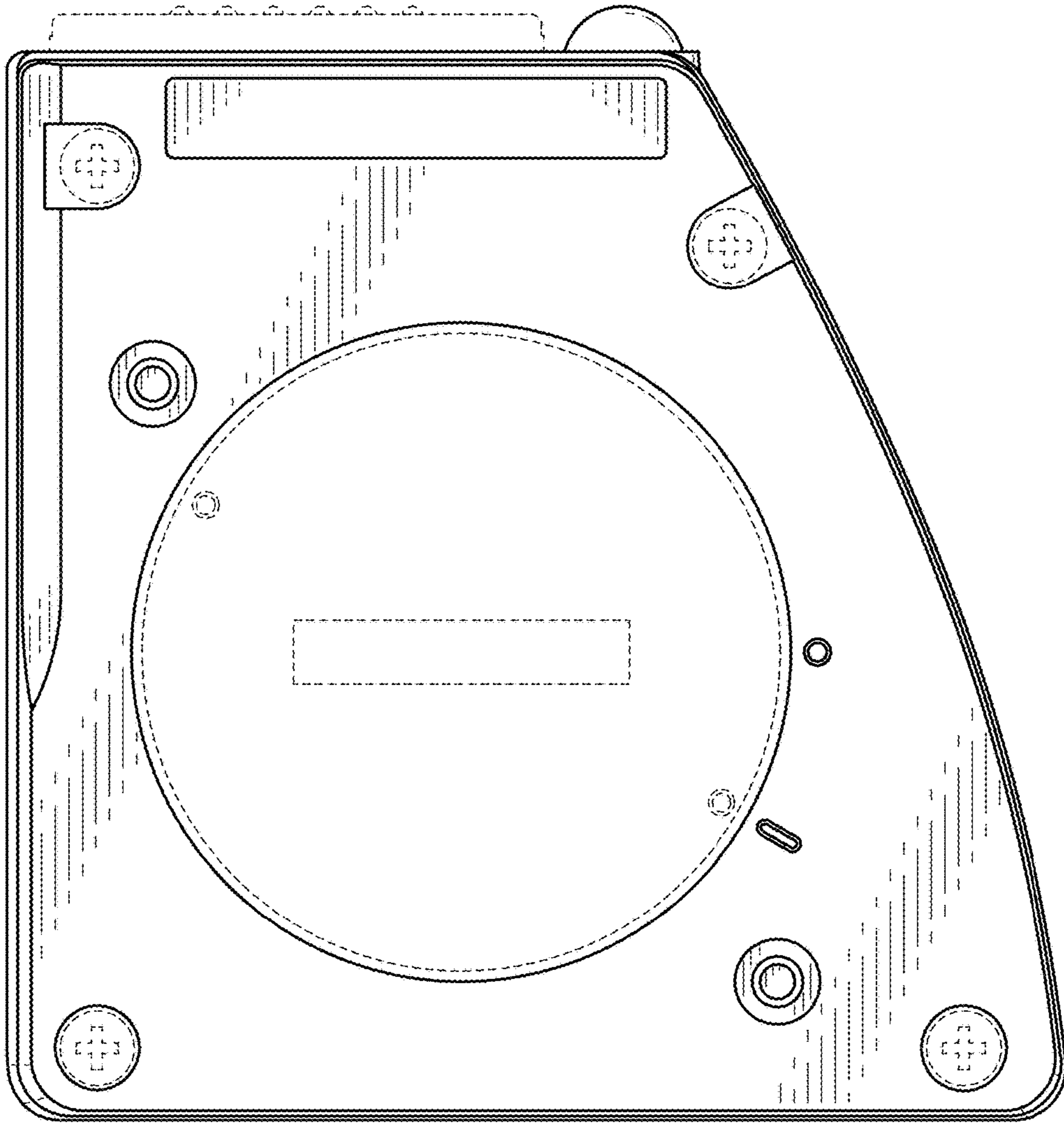


FIG. 4

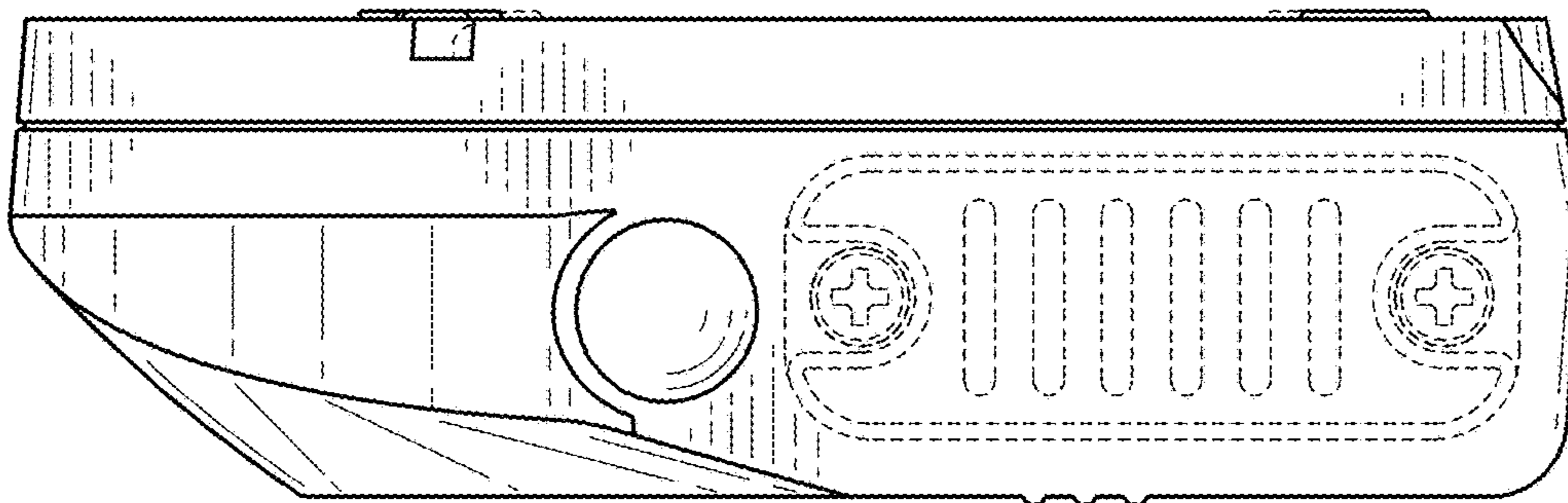


FIG. 5

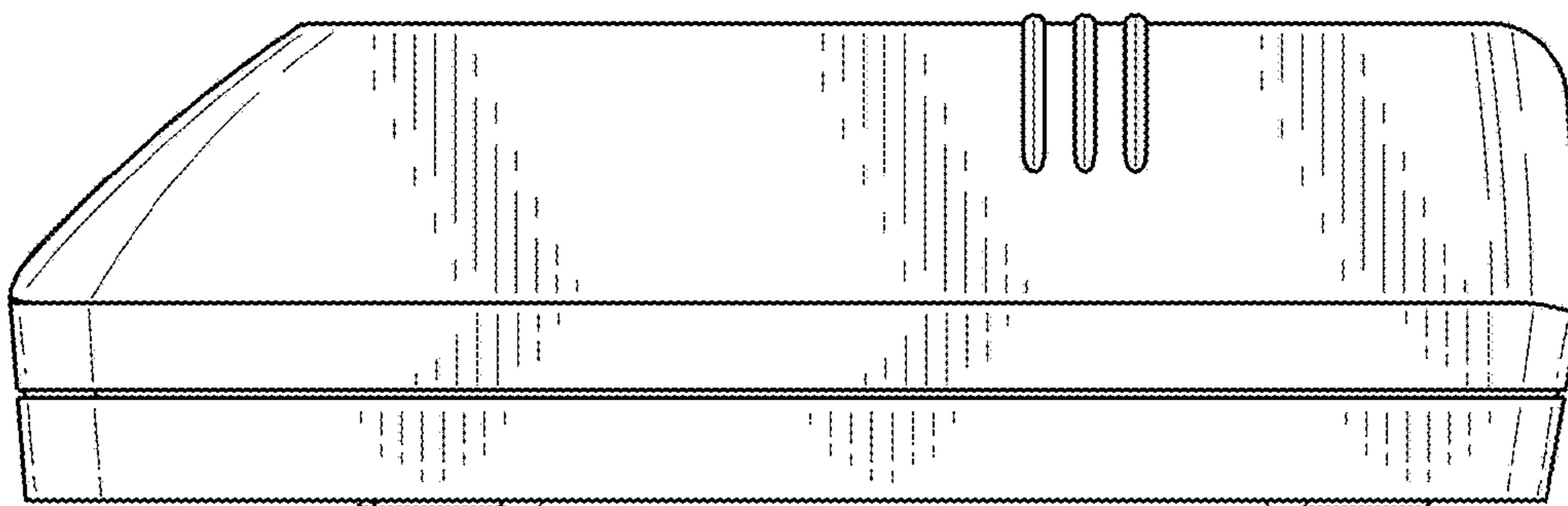


FIG. 6

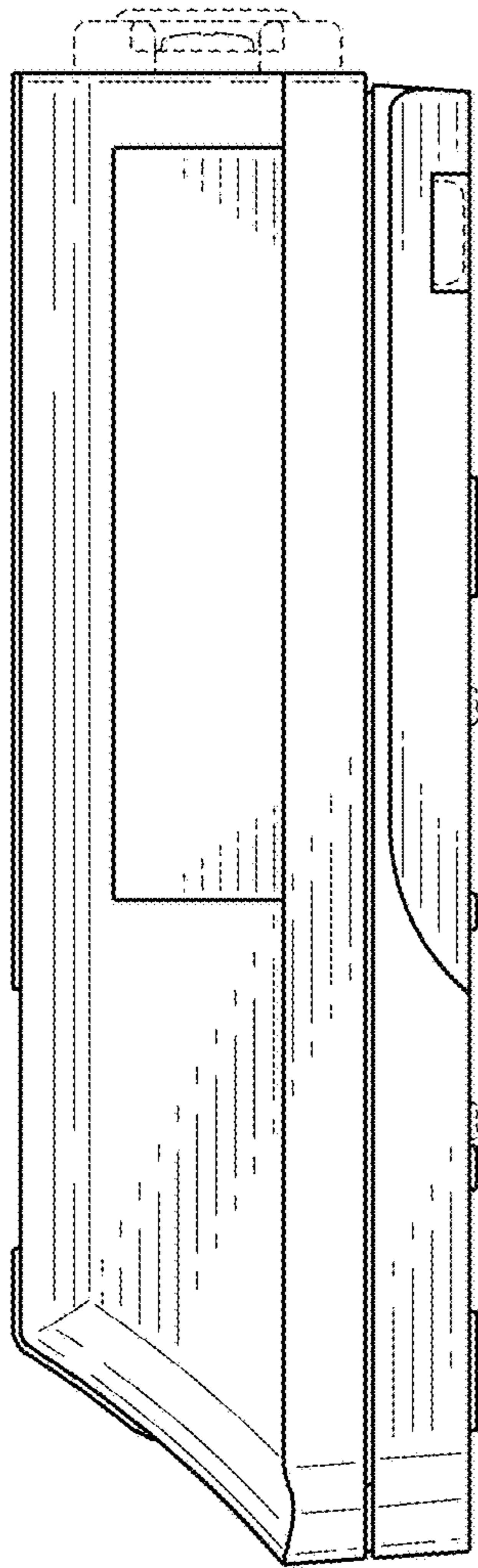


FIG. 7

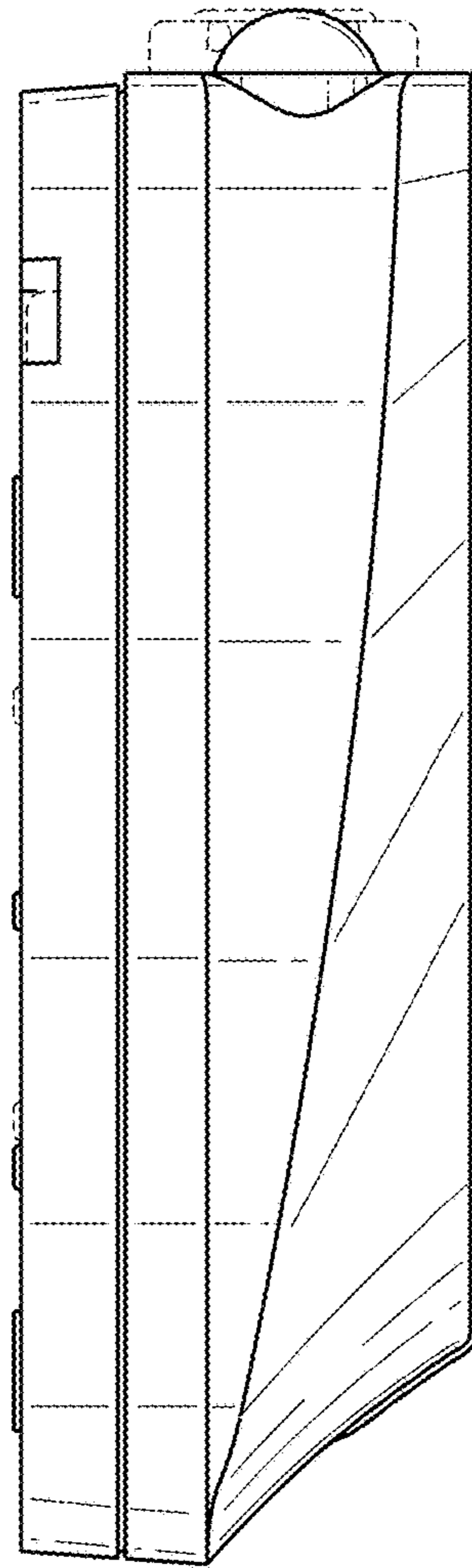


FIG. 8