



US00D821392S

(12) **United States Design Patent** (10) **Patent No.:** **US D821,392 S**
Kwon et al. (45) **Date of Patent:** **** Jun. 26, 2018**

(54) **WEARABLE DATA TERMINAL**

(71) Applicant: **Samsung Electronics Co., Ltd.**,
Suwon-si (KR)

(72) Inventors: **Jongchan Kwon**, Yongin-si (KR);
Alexandre Antoine Rochat, Seoul
(KR)

(73) Assignee: **SAMSUNG ELECTRONICS CO.,
LTD.**, Gyeonggi-Do (KR)

(**) Term: **15 Years**

(21) Appl. No.: **29/567,457**

(22) Filed: **Jun. 9, 2016**

(30) **Foreign Application Priority Data**

Dec. 11, 2015 (KR) 30-2015-0063139

(51) **LOC (11) Cl.** **14-02**

(52) **U.S. Cl.**
USPC **D14/344**

(58) **Field of Classification Search**

USPC D2/623, 626, 639, 878; D8/88, 356;
D10/30-39, 70, 98, 104.2, 125; D11/3,
D11/87, 93-94, 200, 201, 210, 216, 218,
D11/221, 230-231, 7, 15, 17, 40, 43, 54,
D11/62, 78, 79, 86, 89, 121; D14/344,
D14/138 R, 144, 358, 496, 507;
D24/167, 169, 186-187; D3/215, 218,
D3/247, 250; D21/800; D26/26, 36, 37,
D26/70, 120; 361/679.03; 379/433.1;
132/316; D28/64.1; D6/303

CPC G06F 1/163; G06F 1/1628; G06F 1/1626;
G06F 1/1635; G06F 1/08; G06F 1/10;
G06F 1/04; G06F 1/14; G06F 1/3203;
G06F 3/14; A41D 1/002; H04M 1/02;
H04M 1/03; H04M 1/04; H04M 1/05;
H04M 1/667; Y02B 60/1217; H04B
1/385; H04B 1/3888; G06Q 20/10; G06Q
20/108; G06Q 20/12; G06Q 20/145;
G04G 9/0064

See application file for complete search history.

(56) **References Cited**

U.S. PATENT DOCUMENTS

D295,501 S * 5/1988 Brayford D10/15
D328,259 S * 7/1992 Kobayashi D10/98
D334,721 S * 4/1993 Katz D10/98
D338,846 S * 8/1993 Jewell D10/104.2
D342,034 S * 12/1993 Huang D10/98

(Continued)

OTHER PUBLICATIONS

Fitbit Sees How You Run, Walk and Sleep, posted Nov. 3, 2009,
[retrieved Mar. 30, 2017]. Retrieved from Internet, <URL: <http://allthingsd.com/20091103/fitbit-sees-how-you-run-walk-and-sleep/>>.*

Sports & Outdoors > Sports & Fitness > Exercise & Fitness >
Fitness Technology > Fitness Trackers , posted Dec. 10, 2015,
[retrieved Mar. 30, 2017]. Retrieved from Internet, <URL: <https://www.amazon.com/Fitness-Activity-Tracker-Calorie-Counter/dp/B0163IPHUA>>.*

(Continued)

Primary Examiner — Barbara Fox

Assistant Examiner — Kristin E Reed

(74) *Attorney, Agent, or Firm* — Cantor Colburn LLP

(57) **CLAIM**

The ornamental design for a wearable data terminal, as shown and described.

DESCRIPTION

FIG. 1 is a front perspective view of a wearable data terminal showing our new design;

FIG. 2 is a front view thereof;

FIG. 3 is a rear view thereof;

FIG. 4 is a left-side view thereof;

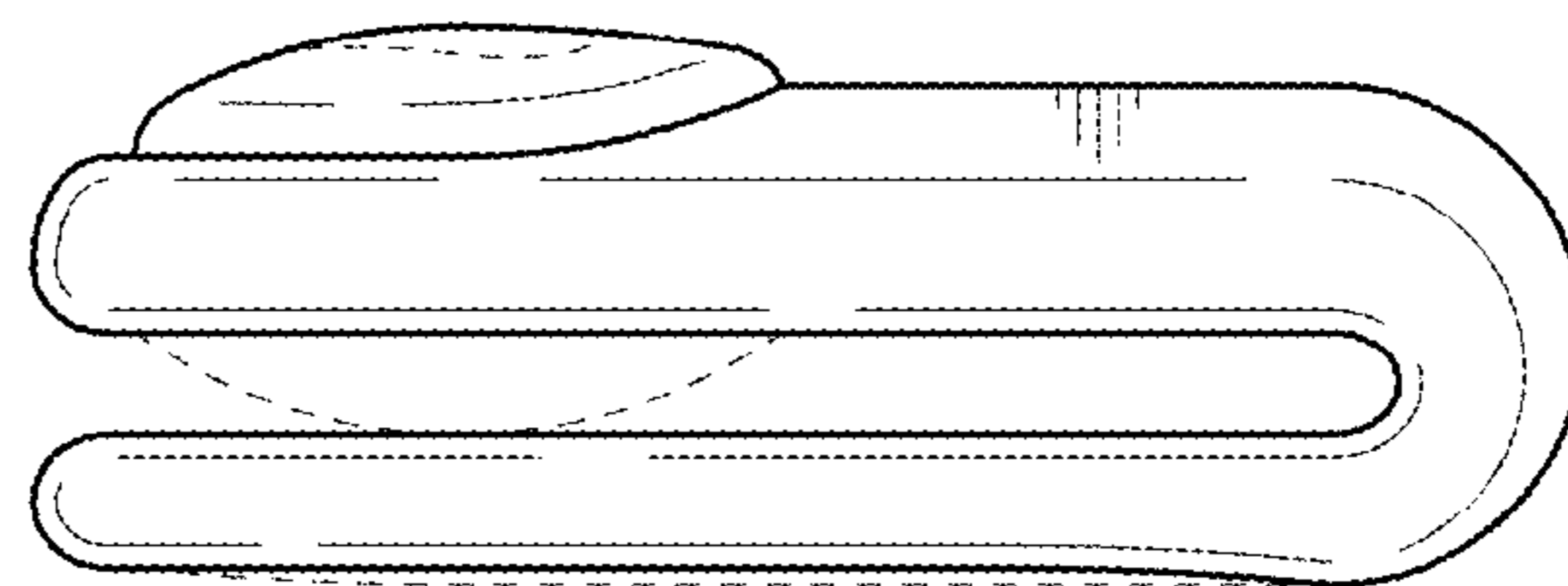
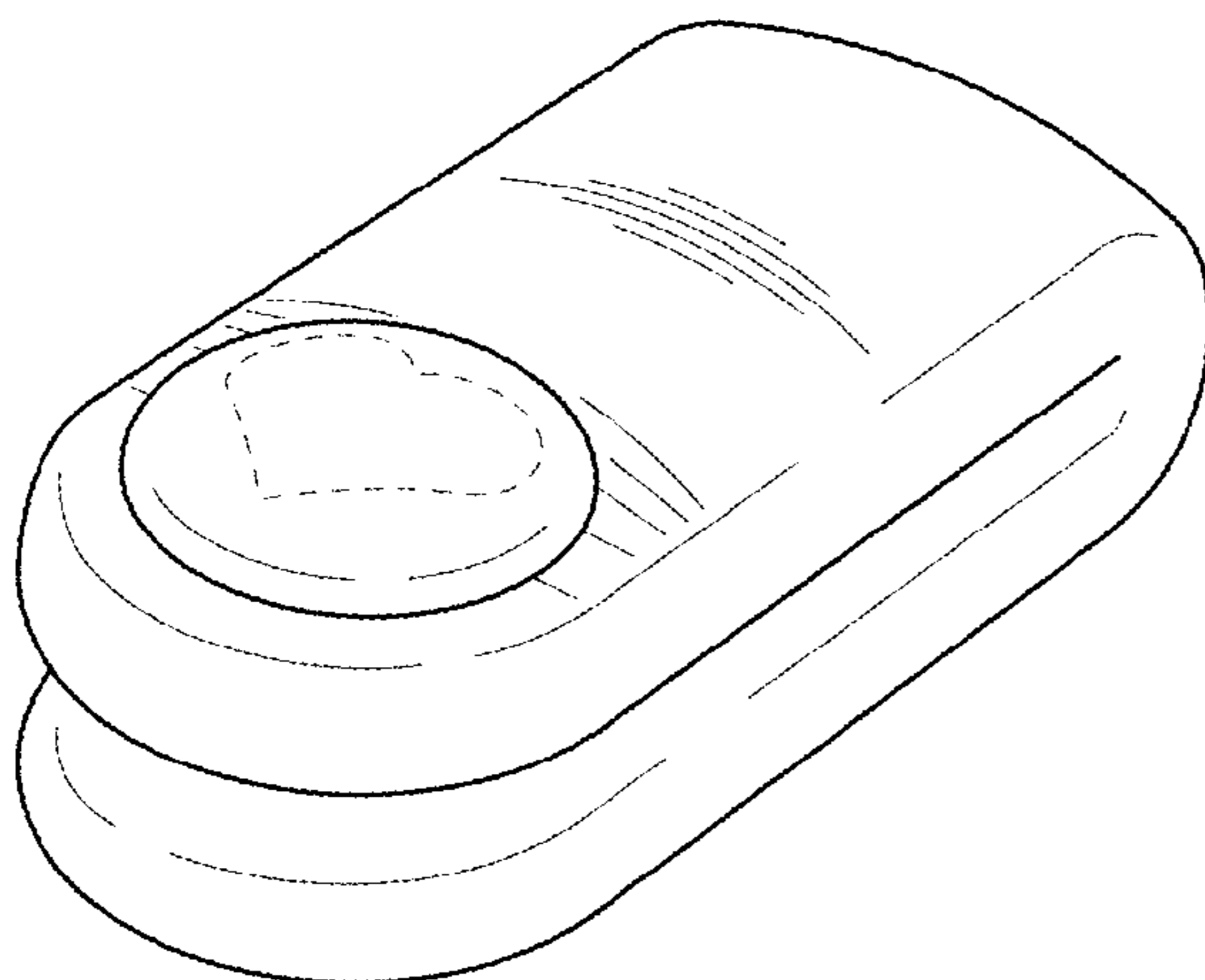
FIG. 5 is a right-side view thereof;

FIG. 6 is a top view thereof; and,

FIG. 7 is a bottom view thereof.

The broken lines shown in drawings illustrate portions of the wearable data terminal that form no part of the claimed design.

1 Claim, 3 Drawing Sheets



(56)

References Cited

U.S. PATENT DOCUMENTS

D393,813	S	*	4/1998	Herdt	D11/78.1
D400,466	S	*	11/1998	Gleason	D11/78.1
D464,755	S	*	10/2002	Harris	D26/60
D484,035	S	*	12/2003	Smith-Kielland	248/68.1
D505,635	S	*	5/2005	McGee	D11/78.1
D552,008	S	*	10/2007	McGarity	D11/78.1
D559,987	S	*	1/2008	Strother	D24/187
D596,163	S	*	7/2009	Madonna	D14/218
D658,051	S	*	4/2012	Boucher-Gagne	D8/394
D677,193	S	*	3/2013	MacDonald	D11/78.1
D683,636	S	*	6/2013	Levanen	D10/70
D688,586	S	*	8/2013	Diehl	D11/78.1
D706,531	S	*	6/2014	Park	D3/215
D708,377	S	*	7/2014	Osiecki	D26/37
D713,076	S	*	9/2014	von Waldthausen	D26/37
D758,901	S	*	6/2016	Benoit	D10/70
D771,824	S	*	11/2016	Minoli	D10/65

OTHER PUBLICATIONS

Improve Your Posture With the Sense-U Clip Activity Tracker, posted Oct. 15, 2015, [retrieved Mar. 30, 2017]. Retrieved from Internet, <URL: <http://urbanwearables.technology/improve-your-posture-with-the-sense-u-clip-activity-tracker/>>.*

LG Reveals Mobile VR Headset '360 VR' for G5 and New 360 Camera, posted Feb. 21, 2016, [retrieved Mar. 30, 2017]. Retrieved from Internet, <URL: <http://www.roadtovr.com/lg-reveals-mobile-vr-headset-360-vr-g5-new-360-camera/>>.*

iFit® Launches iFit® Active Tracking Device, posted Jan. 5, 2014, [retrieved Mar. 30, 2017]. Retrieved from Internet, <URL: <http://www.businesswire.com/news/home/20140105005077/en/iFit%C2%AE-Launches-iFit%C2%AE-Active-Tracking-Device>>.*

Kid Sized Tech—5 Children's wearables, posted Aug. 11, 2014, [retrieved Mar. 30, 2017]. Retrieved from Internet, <URL: <http://fashion.bodi.me/tag/wearable-technology/page/2/>>.*

* cited by examiner

FIG.1

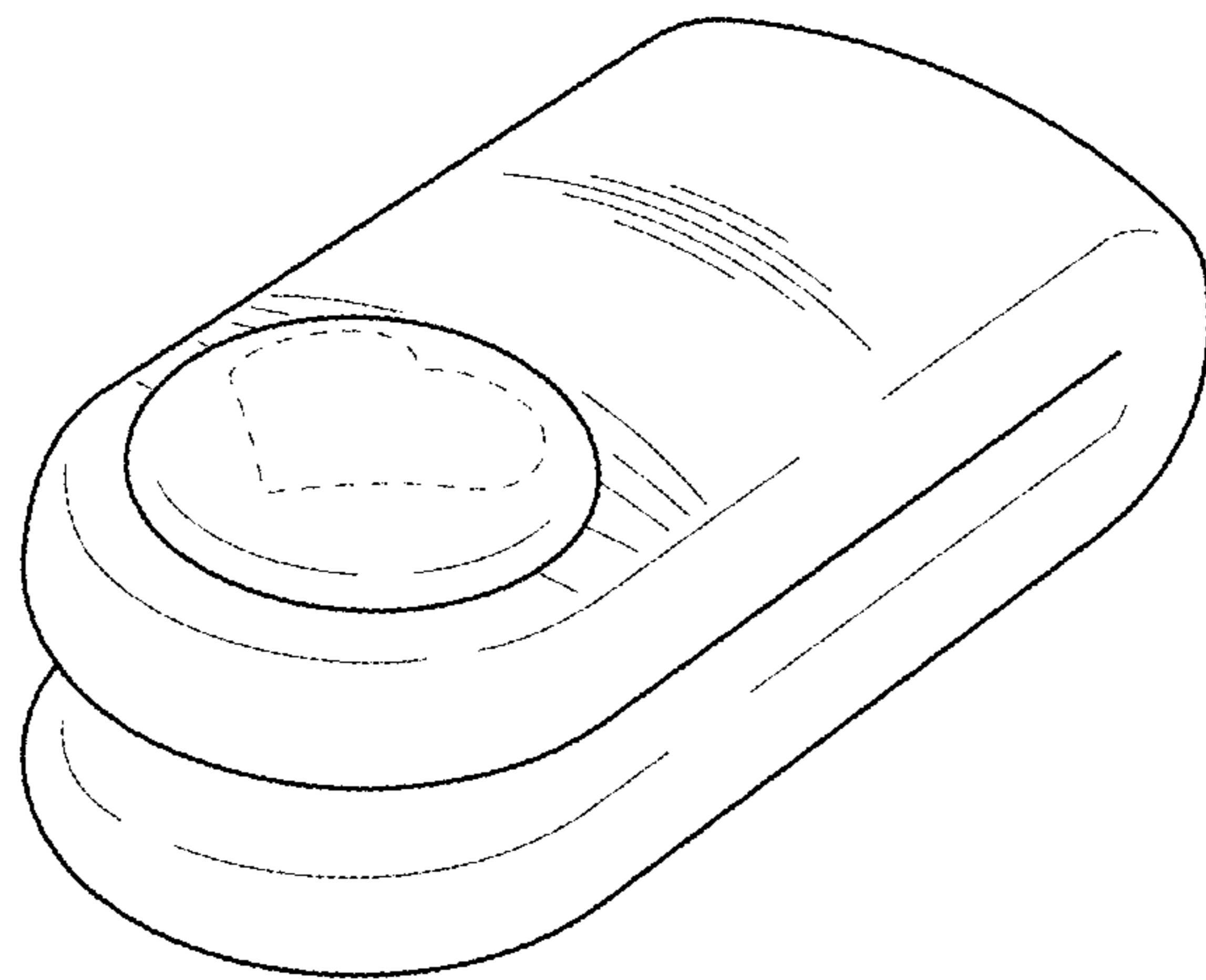


FIG.2

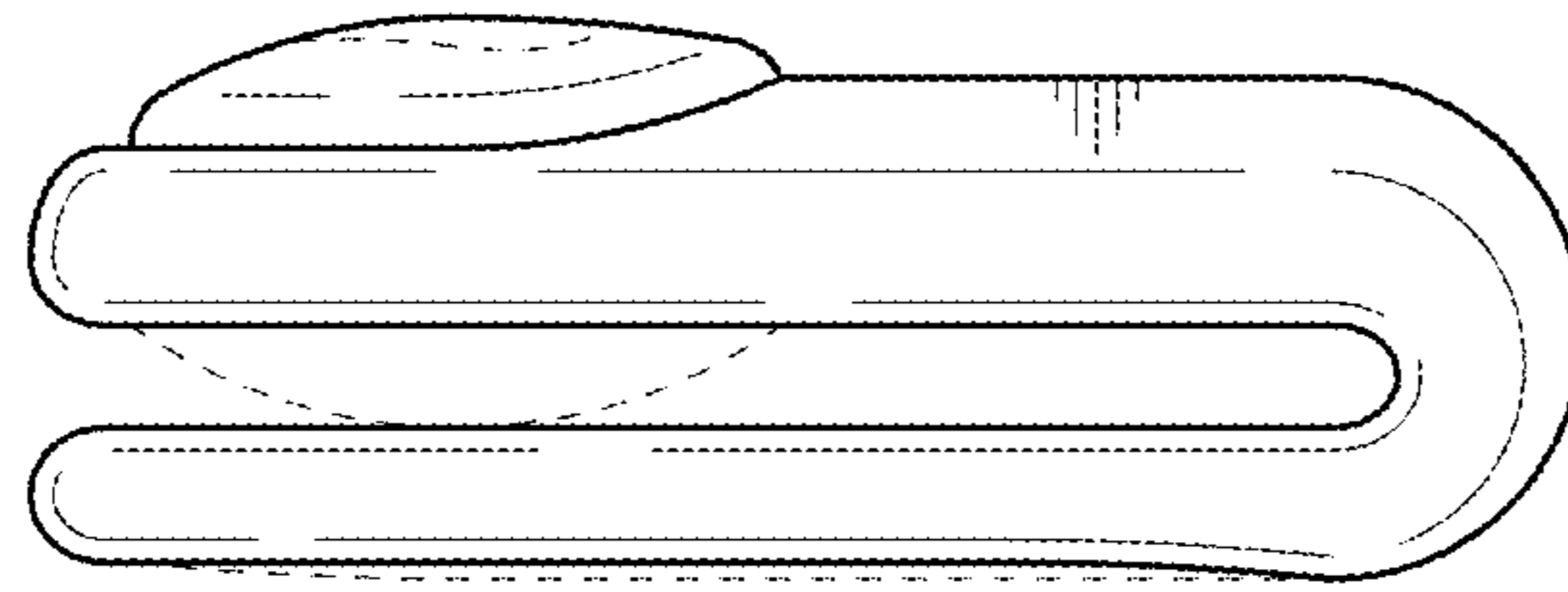


FIG.3

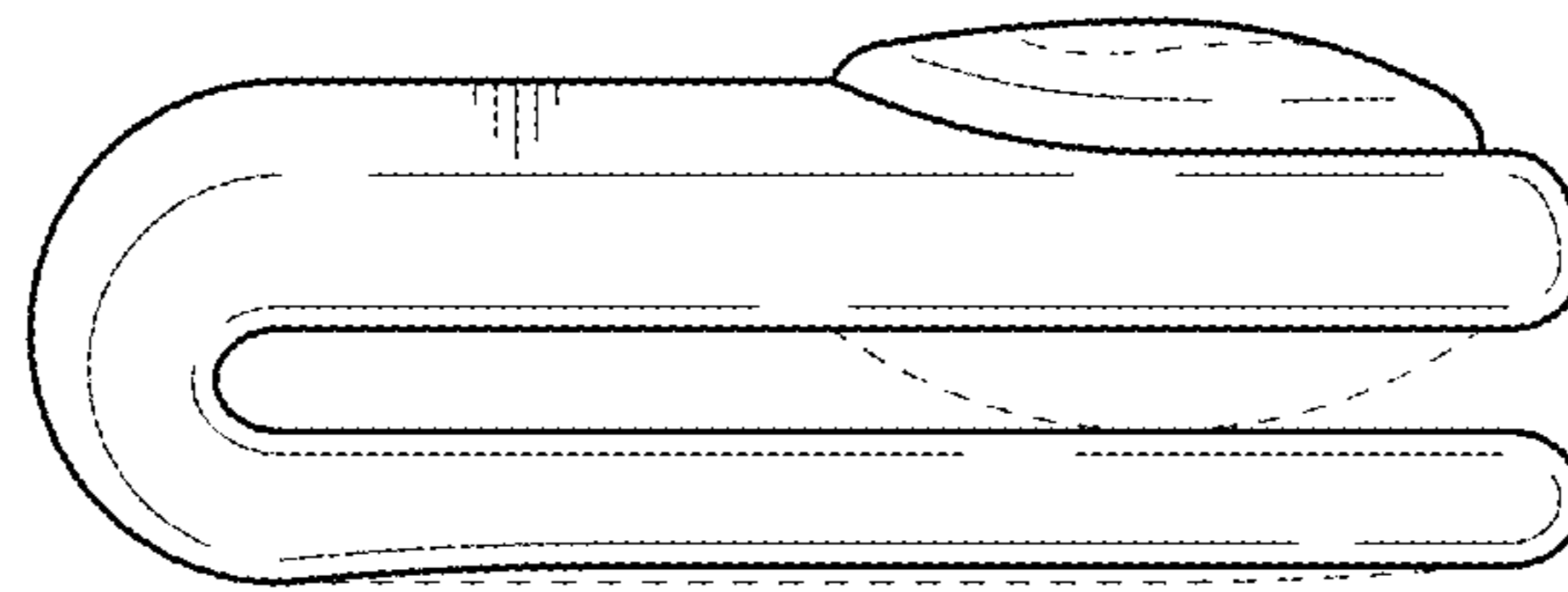


FIG.4

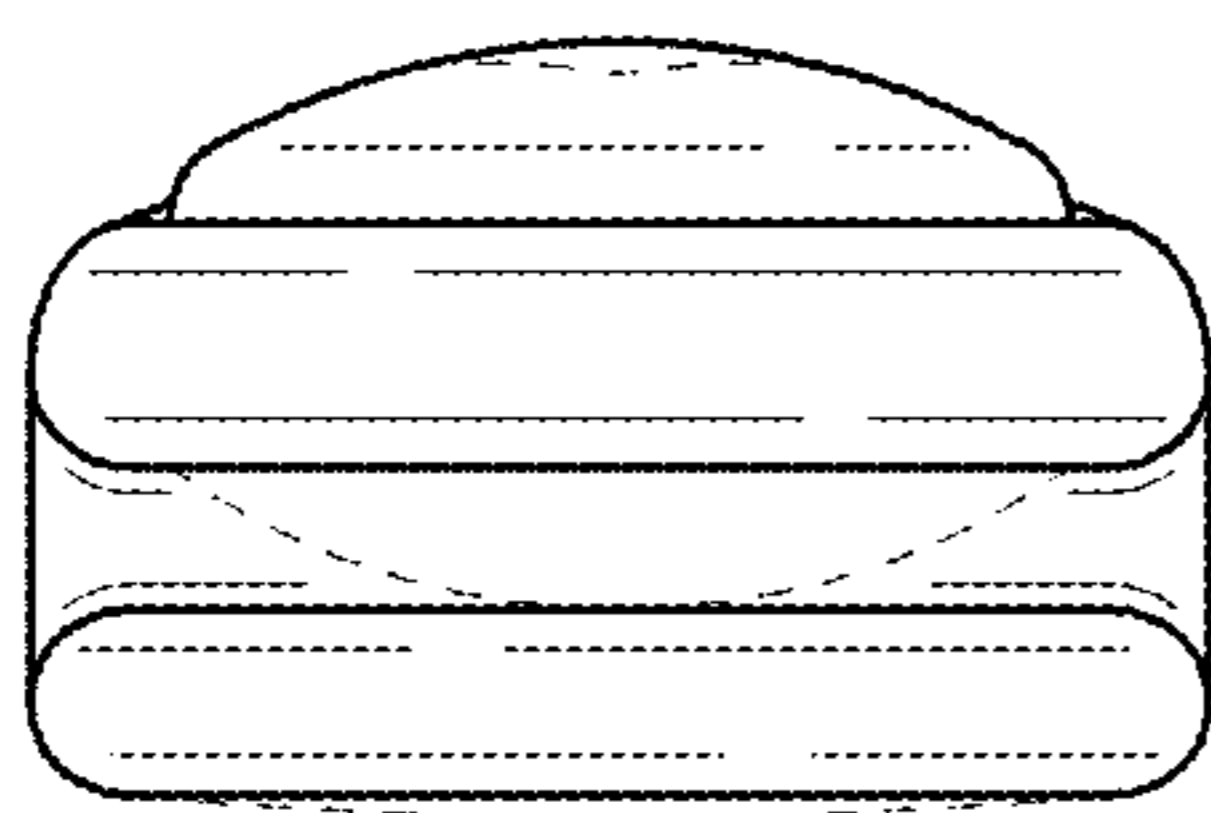


FIG.5

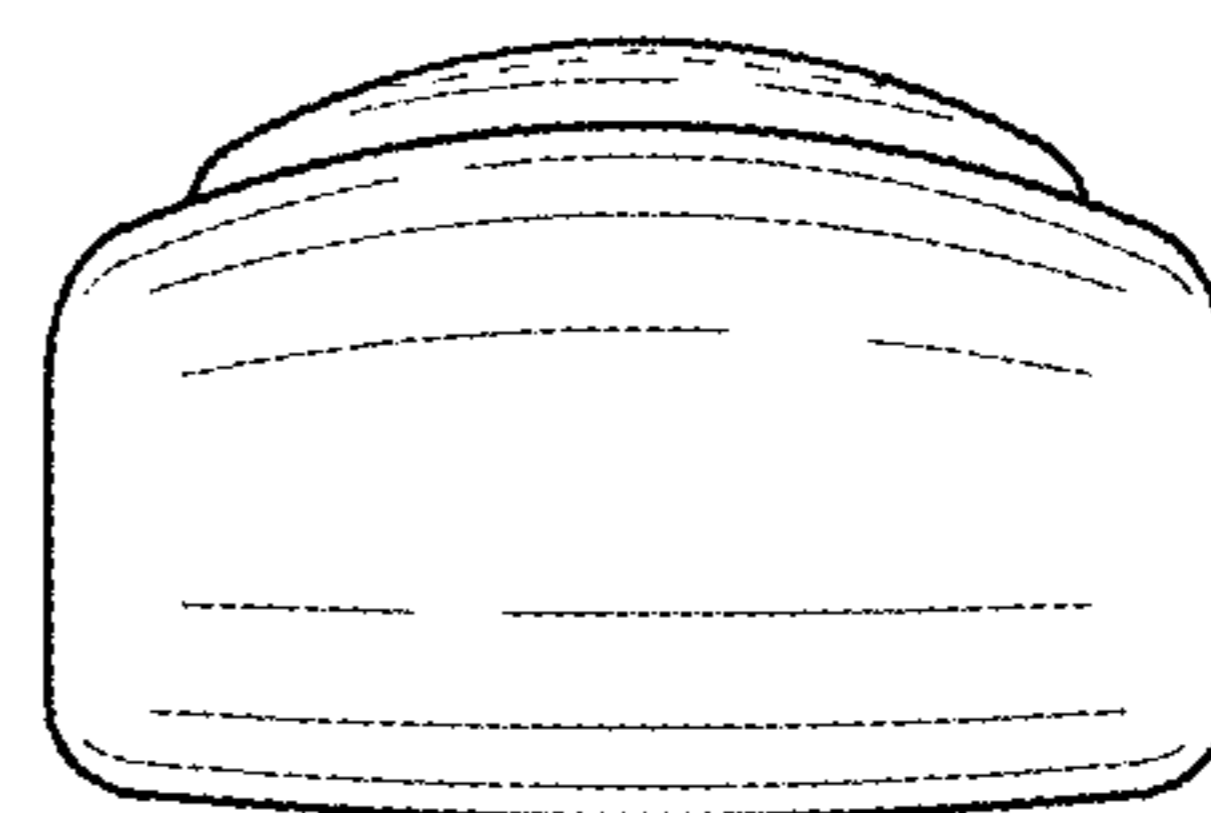


FIG.6

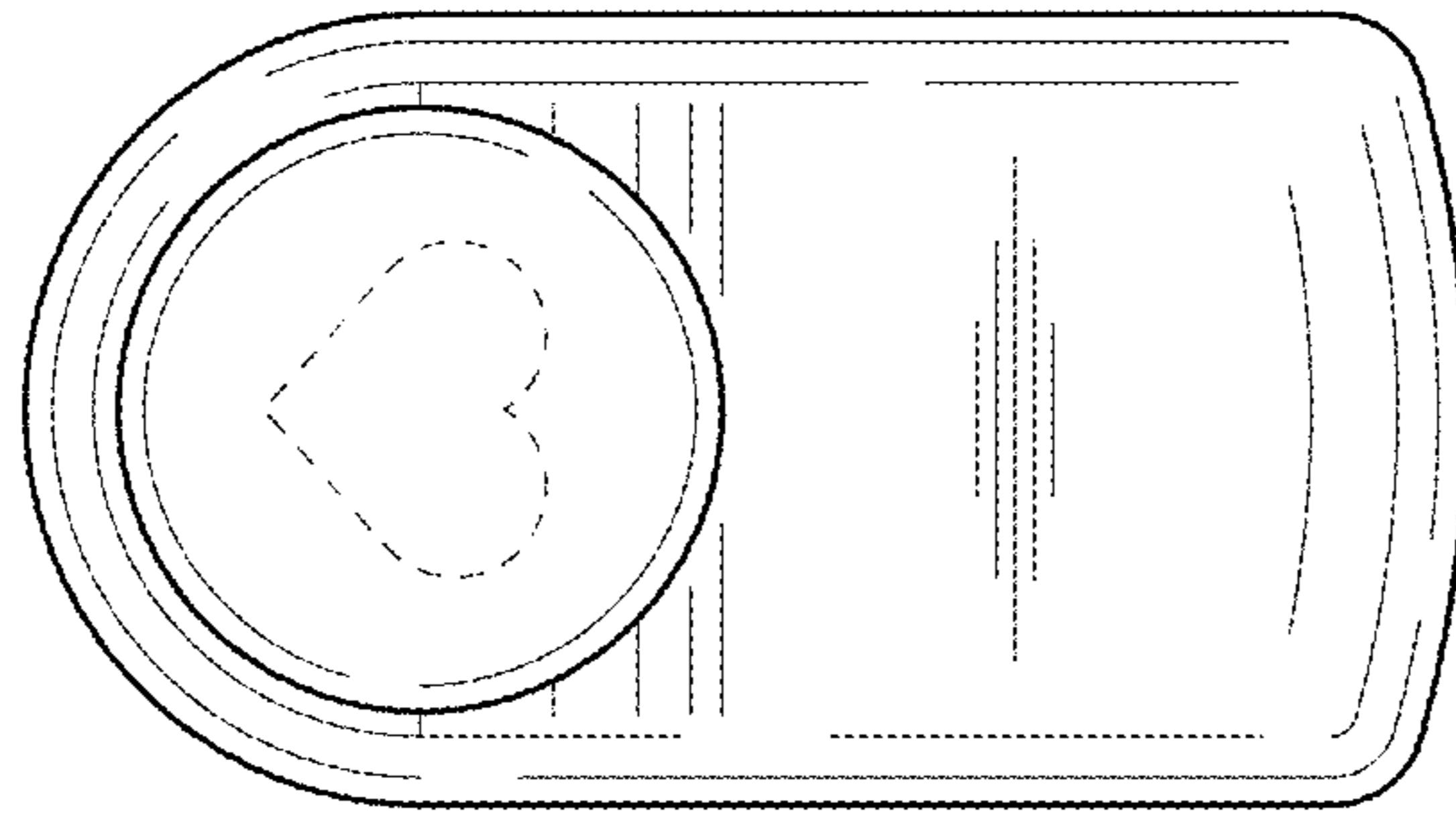


FIG.7

