



US00D821388S

(12) **United States Design Patent**
Henderson et al.

(10) **Patent No.:** **US D821,388 S**

(45) **Date of Patent:** **** Jun. 26, 2018**

(54) **ELECTRONIC DEVICE**

(71) Applicant: **QuirkLogic, Inc.**, Calgary (CA)

(72) Inventors: **James Patrick Henderson**, Gatineau (CA); **Matthew Thomas Robert Bailey**, Ottawa (CA); **Kevin John Bailey**, Ottawa (CA); **Patrick Douglas Henry Williams**, Ottawa (CA)

(73) Assignee: **QuirkLogic, Inc.**, Calgary (CA)

(**) Term: **15 Years**

(21) Appl. No.: **29/566,515**

(22) Filed: **May 31, 2016**

(51) **LOC (11) Cl.** **14-02**

(52) **U.S. Cl.**
USPC **D14/341**

(58) **Field of Classification Search**
USPC D14/341-347, 125-134, 137, 138 R, D14/138 AA, 138 AB, 138 C, 138 G, 147, D14/203.1, 203.3, 203.4, 203.7, 218, 247, D14/248, 332, 336, 371, 374-377, 388, D14/389, 315-318, 420, 426, 429, 440, D14/448, 450, 489, 492, 496; D6/300-310; D10/50, 65, 104.1; D16/241; D18/6; D20/10, 19, 39; D21/329, 330
CPC . A63H 33/3016; G06F 1/1613; G06F 1/1641; G06F 1/1643; G06F 1/1647; G06F 3/04883; G06F 3/0486; G06F 3/04847; G06F 3/04845; G06F 3/0484; G06F 3/04817; H05K 5/0004; H05K 5/0017; H05K 5/02; H05K 5/0217; H04M 1/0279; H04M 1/0281; H04M 1/0283; H04N 13/0459

See application file for complete search history.

(56) **References Cited**

U.S. PATENT DOCUMENTS

D270,063	S	*	8/1983	Ackeret	40/513
D390,861	S	*	2/1998	Liao	D14/424
D425,314	S	*	5/2000	Au-Yeung	D6/300
D454,870	S	*	3/2002	Lee	D14/341
6,757,156	B2	*	6/2004	Adams	G06F 1/1626 235/472.01
D533,156	S	*	12/2006	Nakata	D14/126
D544,381	S	*	6/2007	Lammers-Meis	D10/65
D574,795	S	*	8/2008	Wlotzka	D14/129

(Continued)

OTHER PUBLICATIONS

#quirklogiccontest, posted Jun. 9, 2016, [retrieved Nov. 9, 2017]. Retrieved from Internet, <URL: <https://twitter.com/search?q=%23quirklogiccontest> >.*

(Continued)

Primary Examiner — Barbara Fox
Assistant Examiner — Kristin E Reed
(74) *Attorney, Agent, or Firm* — Chamberlain, Hrdlicka, White, Williams & Aughtry

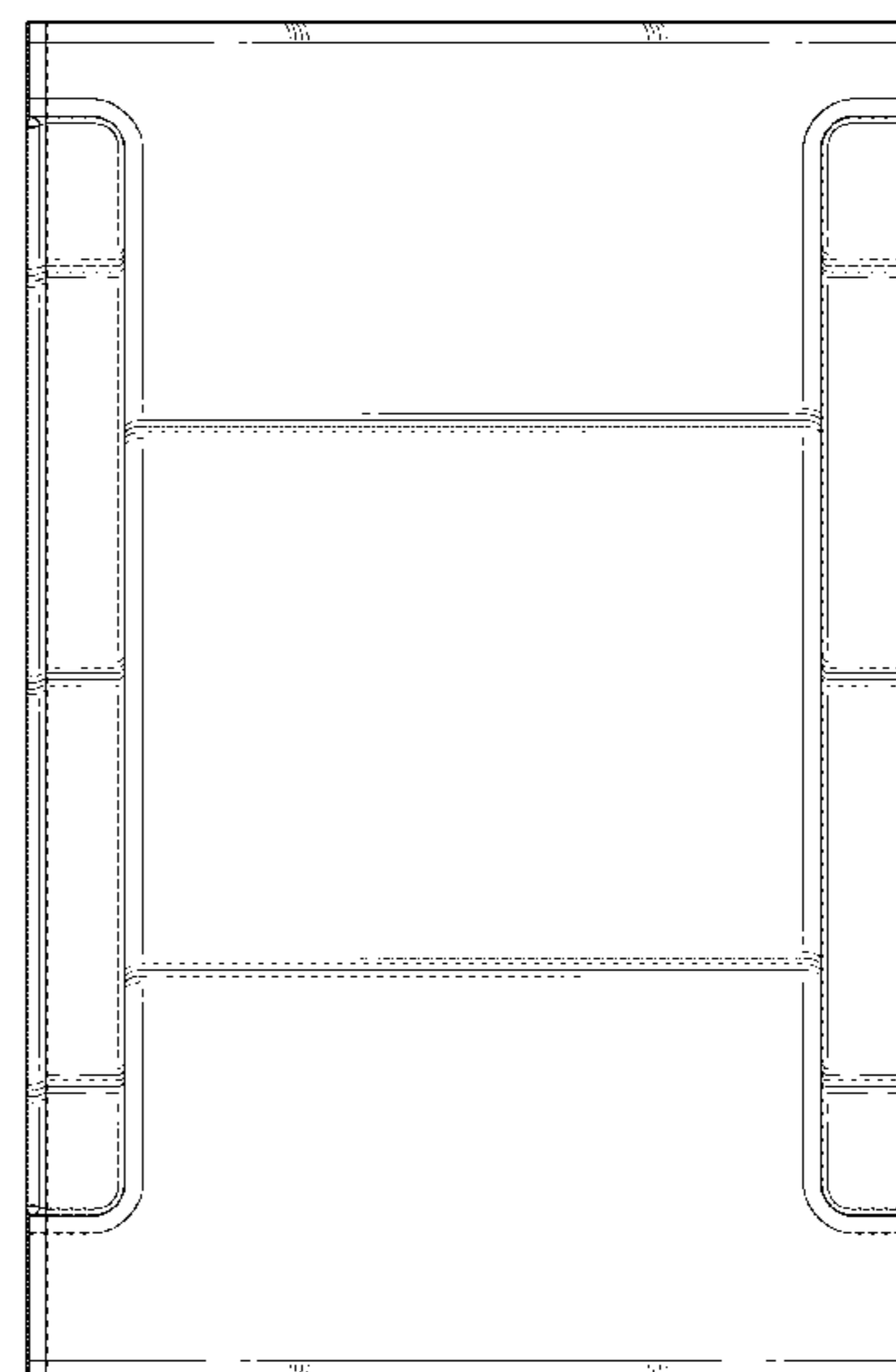
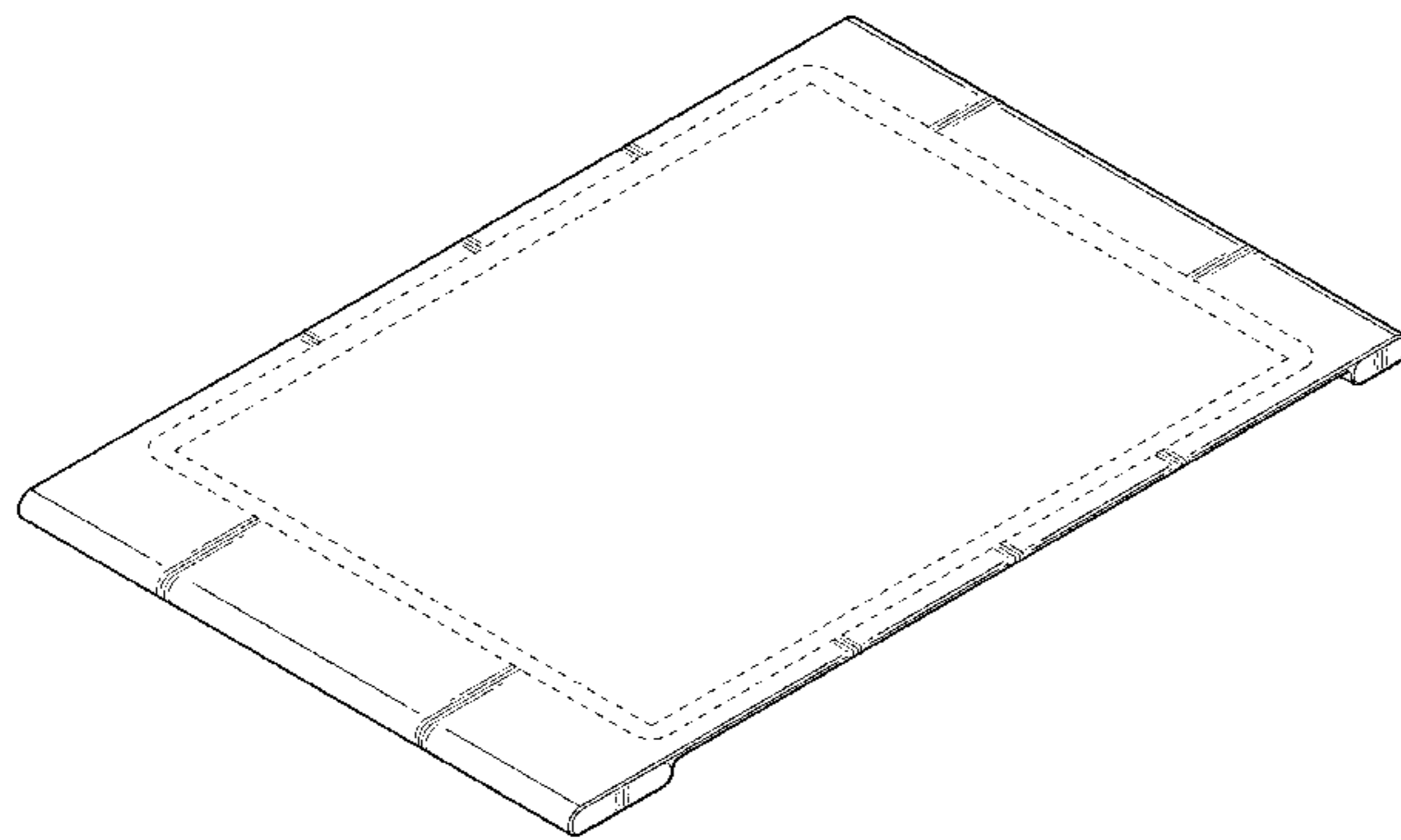
(57) **CLAIM**

The ornamental design for an electronic device, as shown and described.

DESCRIPTION

FIG. 1 is a perspective view of an electronic device showing our new design;
FIG. 2 is a front view of the electronic device of FIG. 1;
FIG. 3 is a rear view of the electronic device of FIG. 1;
FIG. 4 is a side view of the electronic device of FIG. 1, the opposite side view being identical;
FIG. 5 is a top view of the electronic device of FIG. 1; and,
FIG. 6 is a bottom view of the electronic device of FIG. 1.
The broken lines depict portions of the electronic device that form no part of the claimed design.

1 Claim, 4 Drawing Sheets



(56)

References Cited

U.S. PATENT DOCUMENTS

D583,810 S * 12/2008 Chen D14/315
D598,017 S * 8/2009 Gambaro D14/345
D622,692 S * 8/2010 McWilliam D14/138 G
D656,137 S * 3/2012 Chung D14/341
D684,967 S * 6/2013 Flagiello D14/341
D701,202 S * 3/2014 Choi D14/138 G
D724,582 S * 3/2015 Kim D14/341
D746,278 S * 12/2015 Chen D14/341
9,227,547 B2 * 1/2016 Williams B60P 1/6427
D767,564 S * 9/2016 Li D14/341
D799,475 S * 10/2017 Fan D14/341
2006/0002072 A1 * 1/2006 Sutton G06F 1/1616
361/679.27

OTHER PUBLICATIONS

Boogie Board LCD Writing Tablet Review, posted Feb. 28, 2010, [retrieved Nov. 9, 2017]. Retrieved from Internet, <URL: <https://the-gadgeteer.com/2010/02/28/boogie-board-lcd-writing-tablet-review/>>.*

* cited by examiner

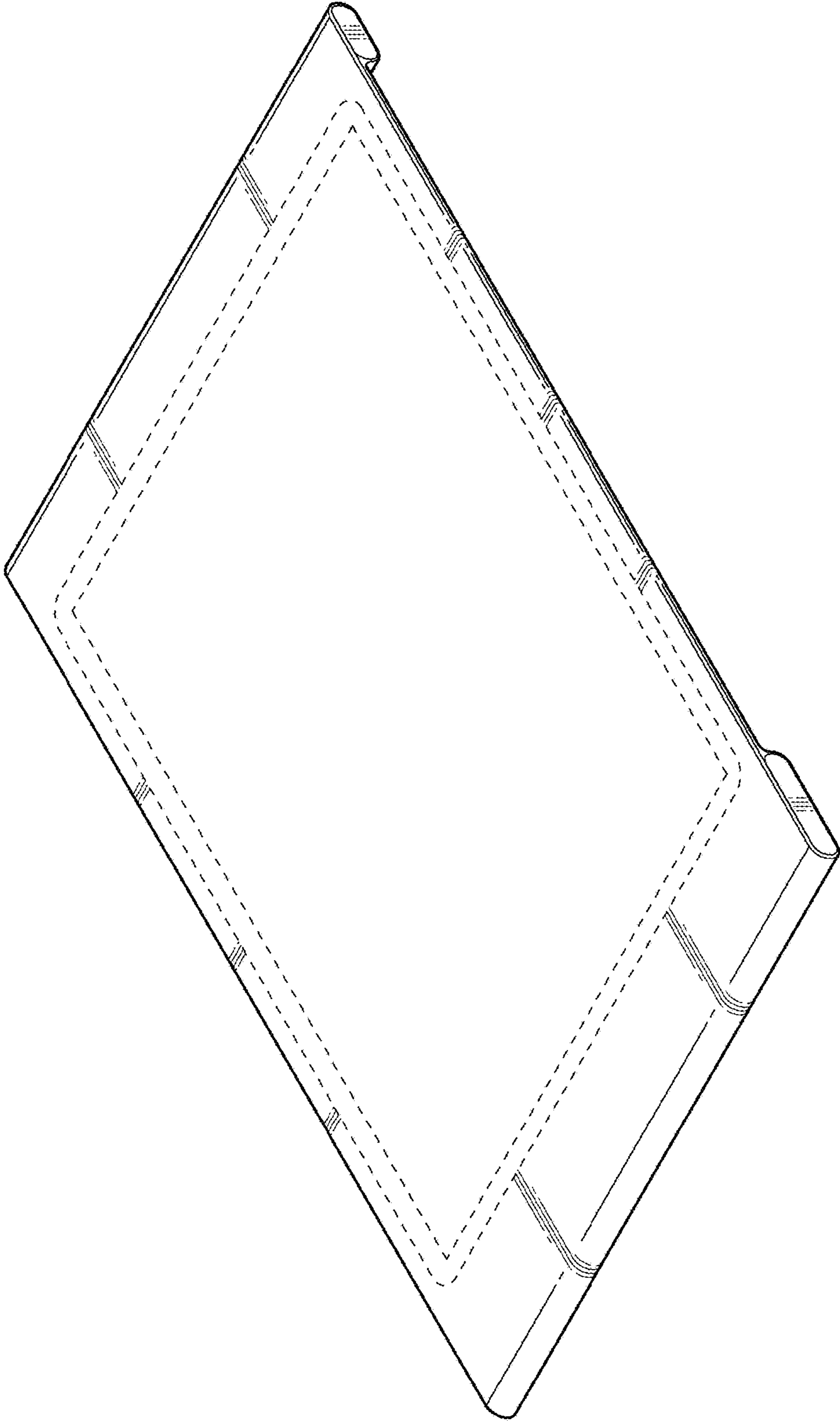


FIG. 1

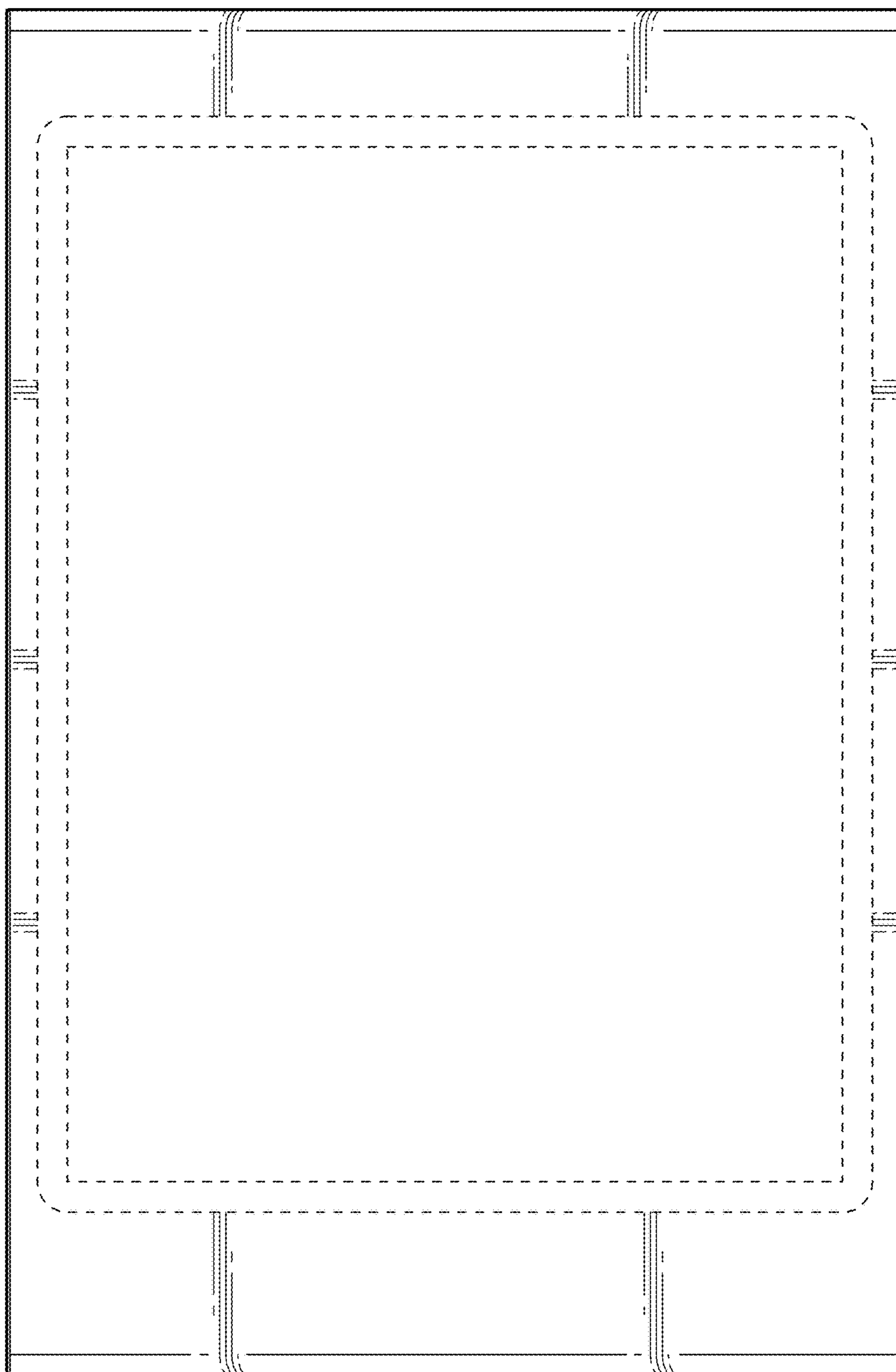


FIG. 2

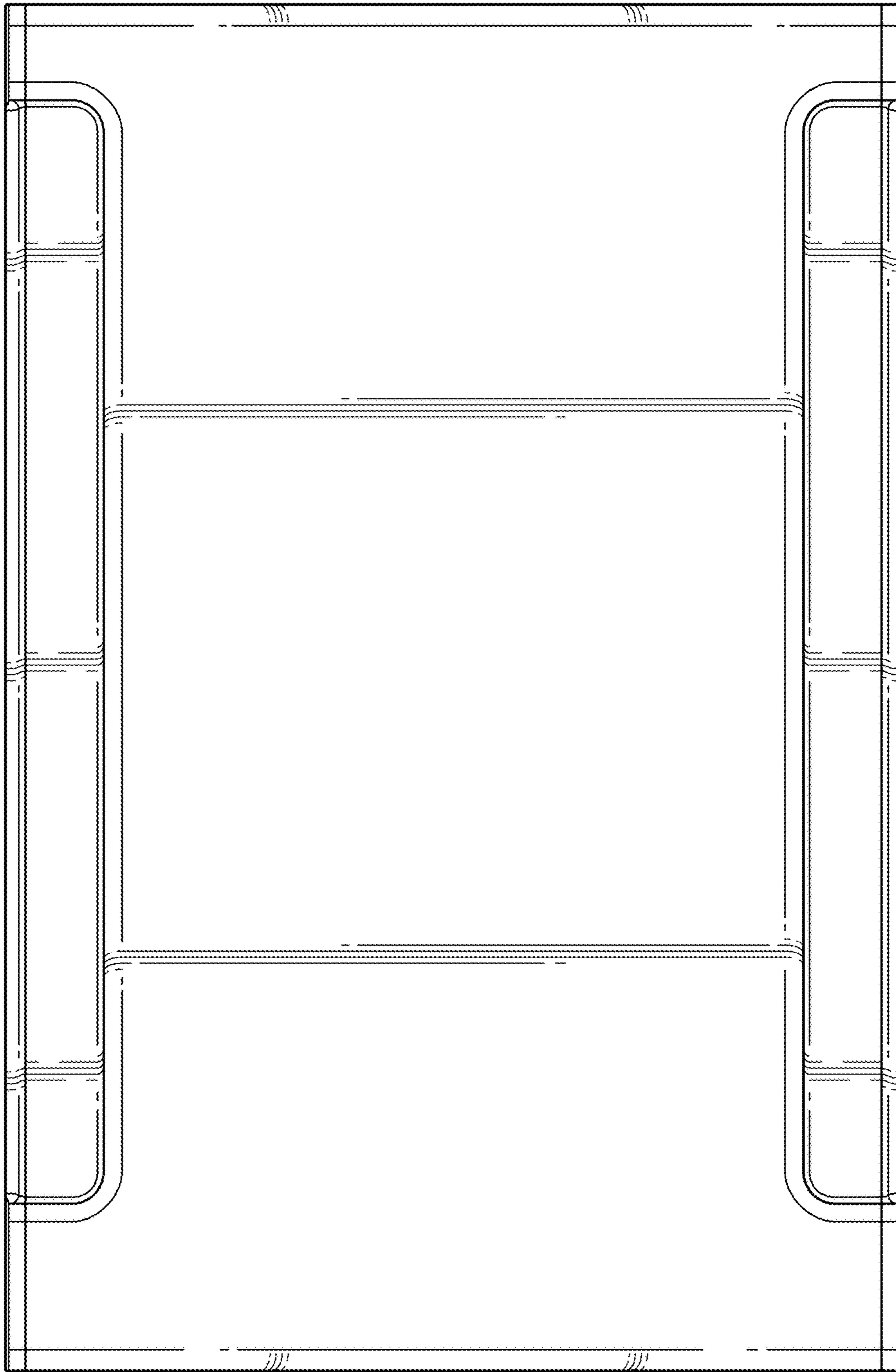


FIG. 3



FIG. 4



FIG. 5



FIG. 6